



US00D747291S

(12) **United States Design Patent**
Lee et al.

(10) **Patent No.:** **US D747,291 S**
(45) **Date of Patent:** **** Jan. 12, 2016**

(54) **HEADPHONES**

(71) Applicant: **Monster, LLC**, Las Vegas, NV (US)

(72) Inventors: **Noel Lee**, Las Vegas, NV (US);
Kendrew Lee, Hong Kong (CN); **Yiu Siu Fong**, Hong Kong (CN)

(73) Assignee: **Monster LLC**, Las Vegas, NV (US)

(**) Term: **14 Years**

(21) Appl. No.: **29/514,366**

(22) Filed: **Jan. 12, 2015**

(51) **LOC (10) Cl.** **14-01**

(52) **U.S. Cl.**
USPC **D14/205**

(58) **Field of Classification Search**
USPC D14/205, 206, 223; 181/129, 130, 135;
379/430, 431; 381/74, 380, 381, 374,
381/378; 455/90.3, 575.1
CPC H04R 1/1066
See application file for complete search history.

(56) **References Cited**

U.S. PATENT DOCUMENTS

D270,634 S *	9/1983	Ungar	D14/205
D351,172 S *	10/1994	Nakamura	D14/205
6,081,604 A *	6/2000	Hikichi	H04R 1/083 381/124
D430,140 S *	8/2000	Roman	D14/205
6,654,966 B2 *	12/2003	Rolla	H04R 5/0335 2/209
D512,981 S *	12/2005	Jacobson	D14/205
7,072,483 B2 *	7/2006	Lenhard-Backhaus	H04R 1/1066 381/370
D534,155 S *	12/2006	Obata	D14/205
D540,301 S *	4/2007	Obata	D14/205
D632,668 S *	2/2011	Brunner	D14/205

D637,176 S *	5/2011	Brunner	D14/205
D657,344 S *	4/2012	Brunner	D14/205
D660,823 S *	5/2012	Hardi	D14/205
D660,824 S *	5/2012	Hardi	D14/205
D662,912 S *	7/2012	Iijima	D14/205
D673,519 S *	1/2013	Tan	D14/205
8,363,877 B2 *	1/2013	Morisawa	H04R 1/1066 2/209
D677,242 S *	3/2013	Lee	D14/205
D677,648 S *	3/2013	Lee	D14/206
D684,139 S *	6/2013	Miyake	D14/205
8,565,468 B2 *	10/2013	Ito	H04R 1/105 381/370
D696,228 S *	12/2013	Miyake	D14/205
D707,200 S *	6/2014	Yang	D14/205
D717,764 S *	11/2014	Lee	D14/205
D722,302 S *	2/2015	Lee	D14/205
D725,630 S *	3/2015	Nakagawa	D14/205
2011/0206216 A1 *	8/2011	Brunner	H04R 1/1066 381/74

* cited by examiner

Primary Examiner — Paula Greene

(74) *Attorney, Agent, or Firm* — John Nielsen; Sentinel IP

(57) **CLAIM**

The ornamental design for headphones, as shown and described.

DESCRIPTION

FIG. 1 is a perspective view of the headphones, showing the new design;
FIG. 2 is a front view of the headphones;
FIG. 3 is a rear view of the headphones;
FIG. 4 is a side view of the headphones;
FIG. 5 is an opposing side view of the headphones;
FIG. 6 is a top view of the headphones; and,
FIG. 7 is a bottom view of the headphones.
The broken lines in the drawings are for illustrative purposes only and form no part of the claimed design.

1 Claim, 4 Drawing Sheets



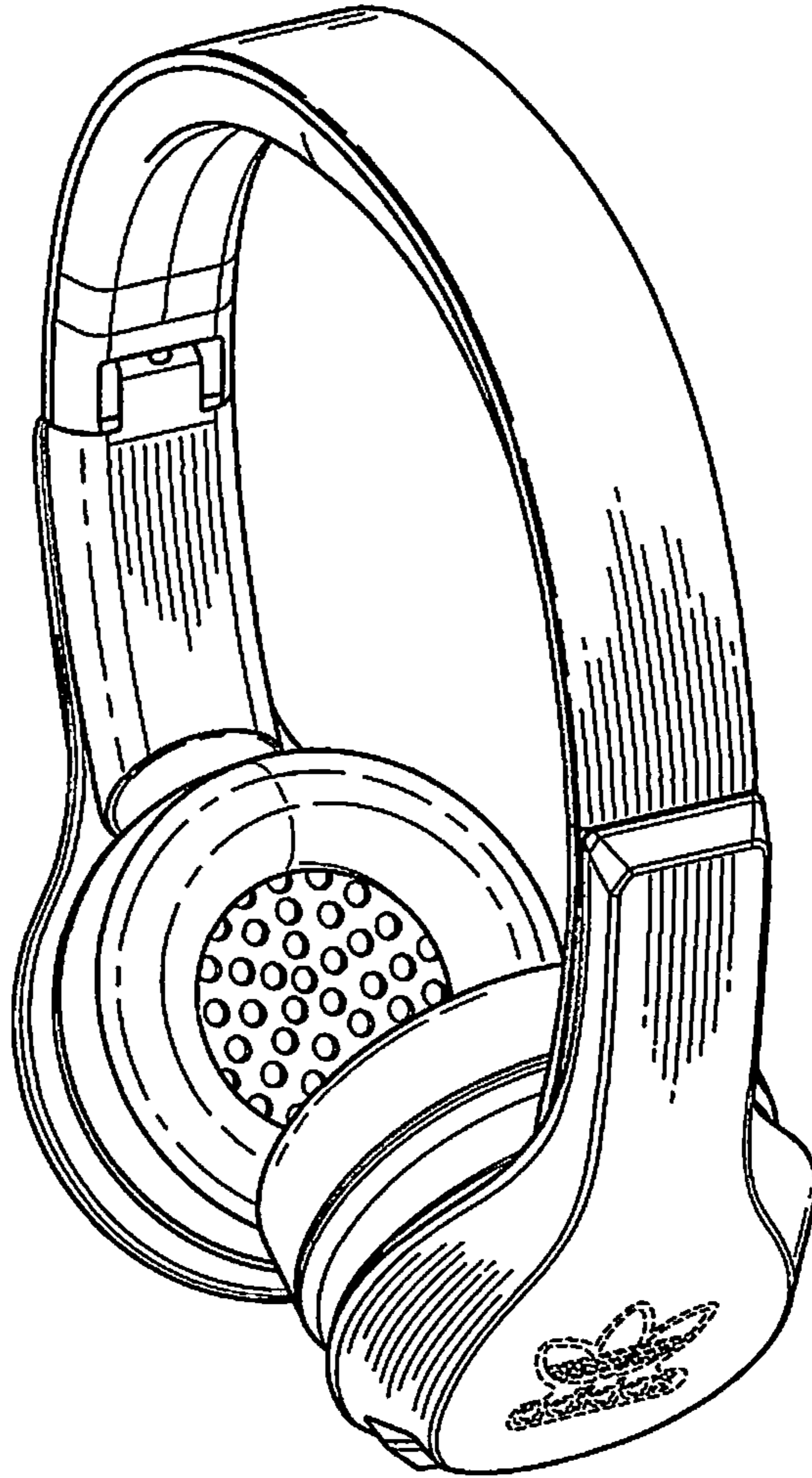


FIG. 1

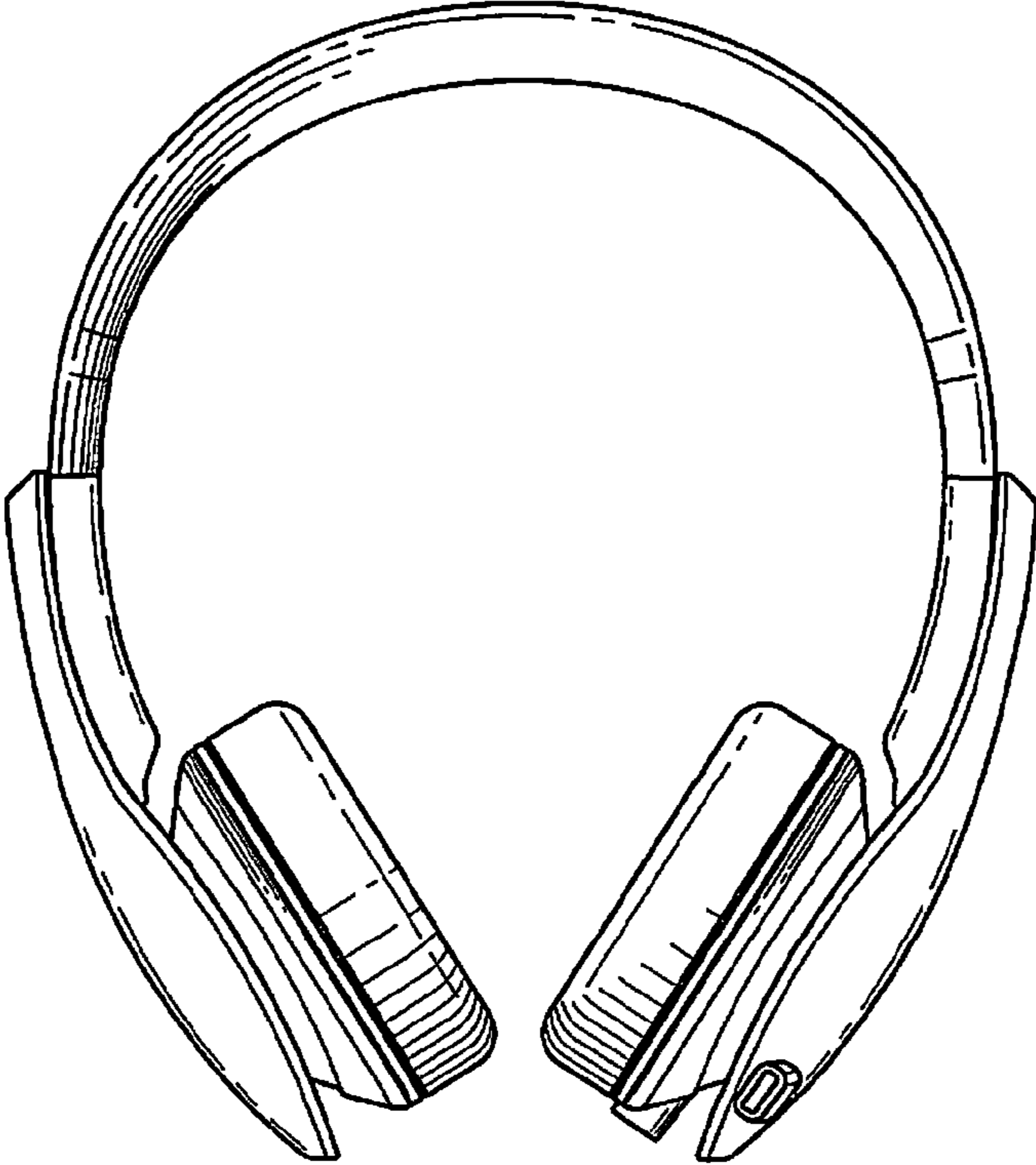


FIG. 2

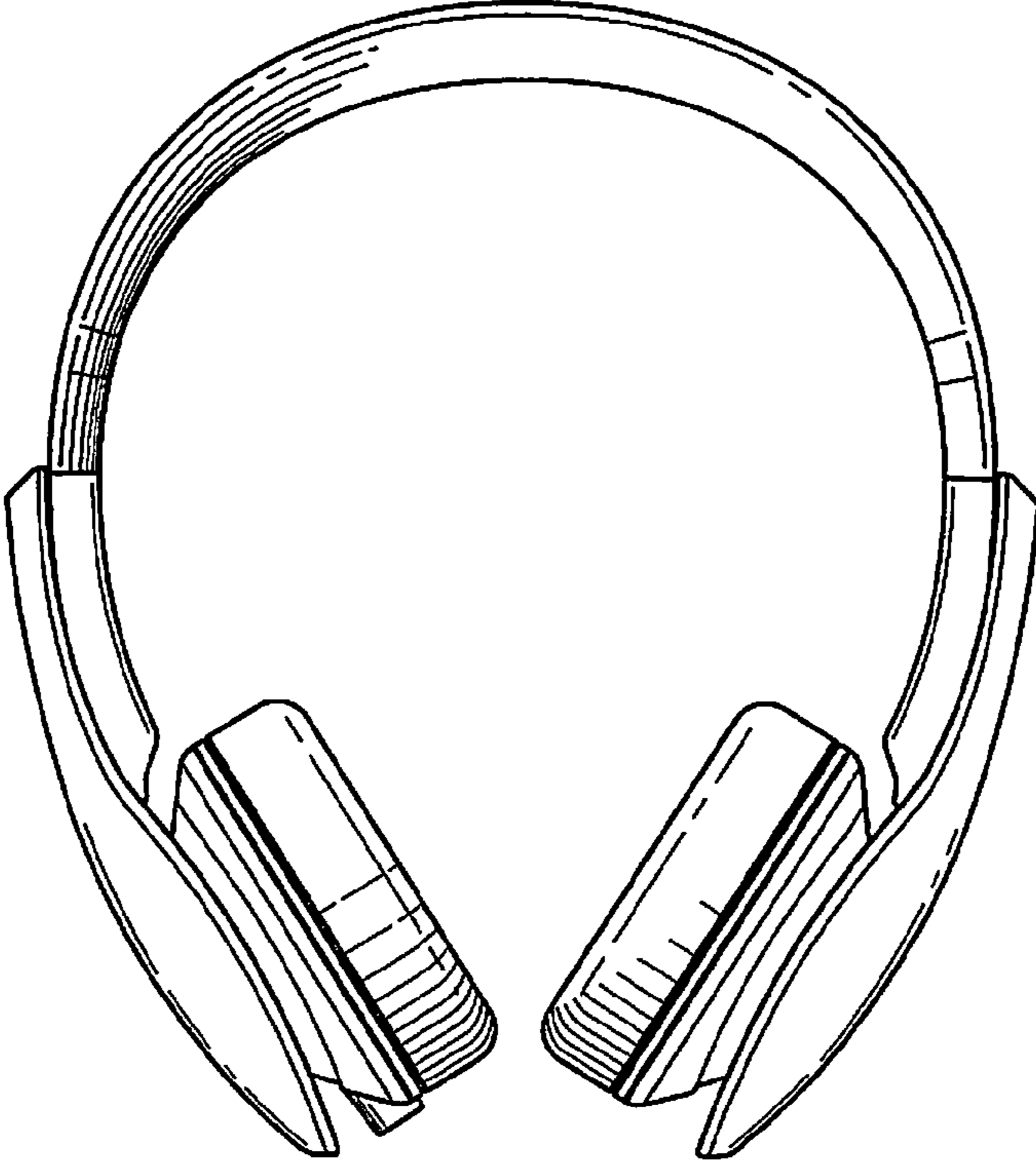


FIG. 3

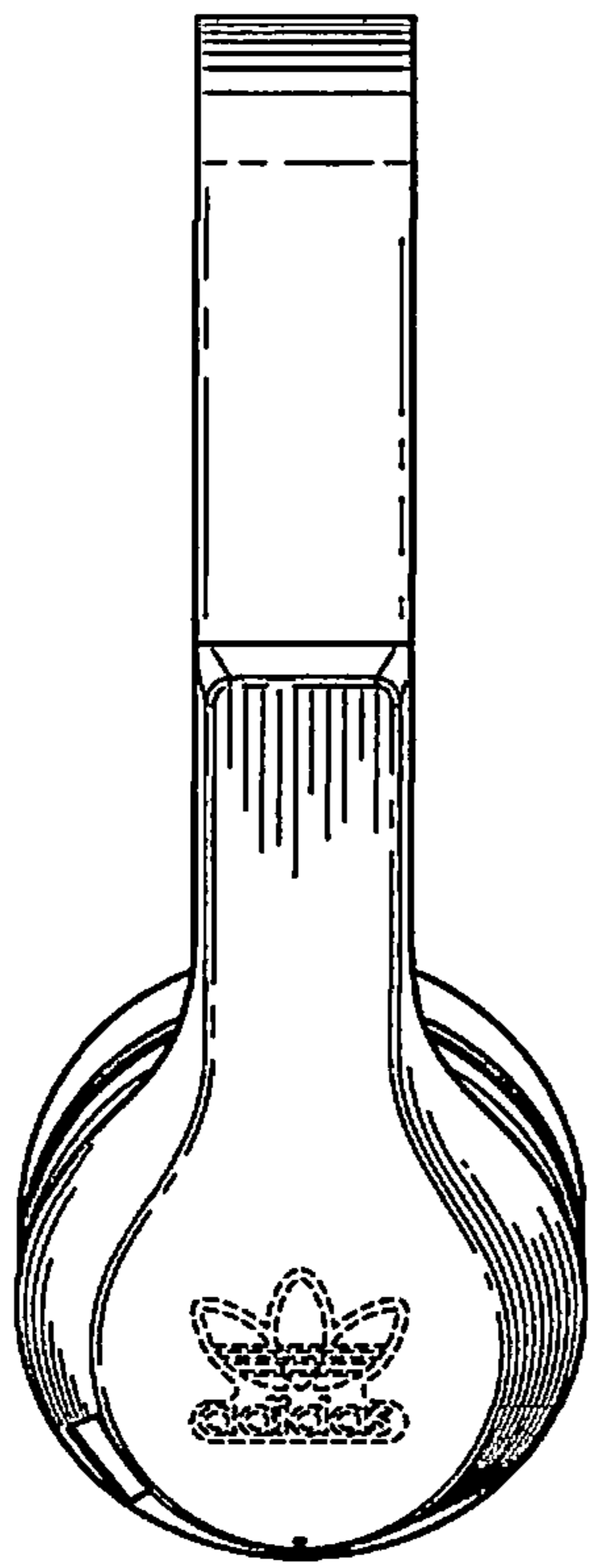


FIG. 4

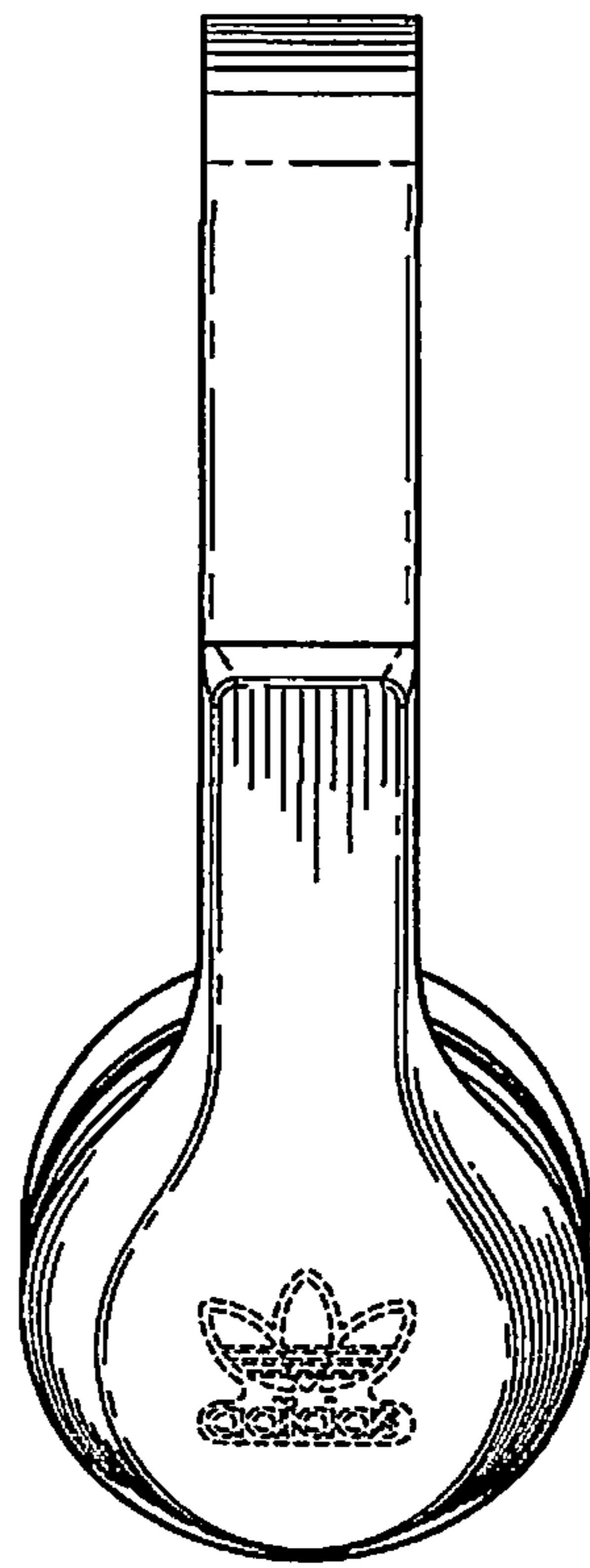


FIG. 5

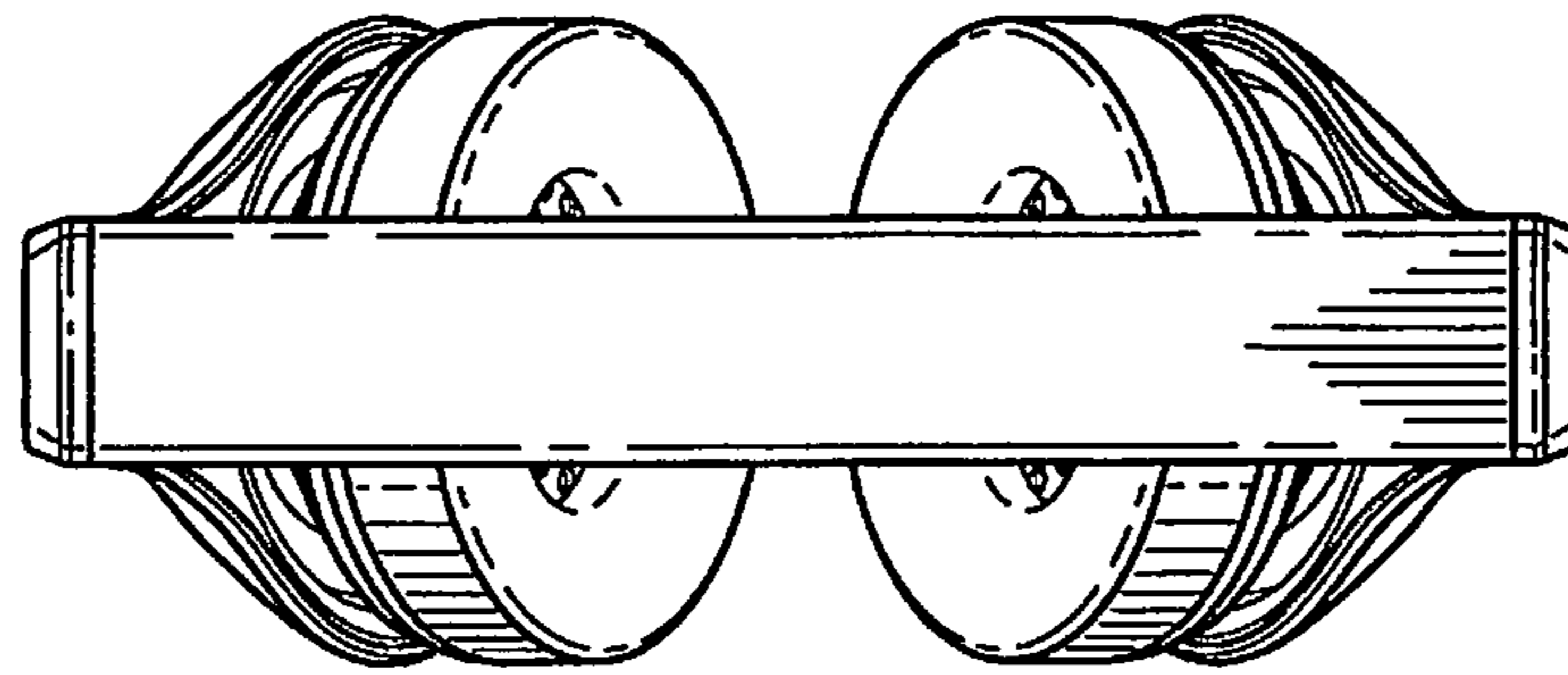


FIG. 6

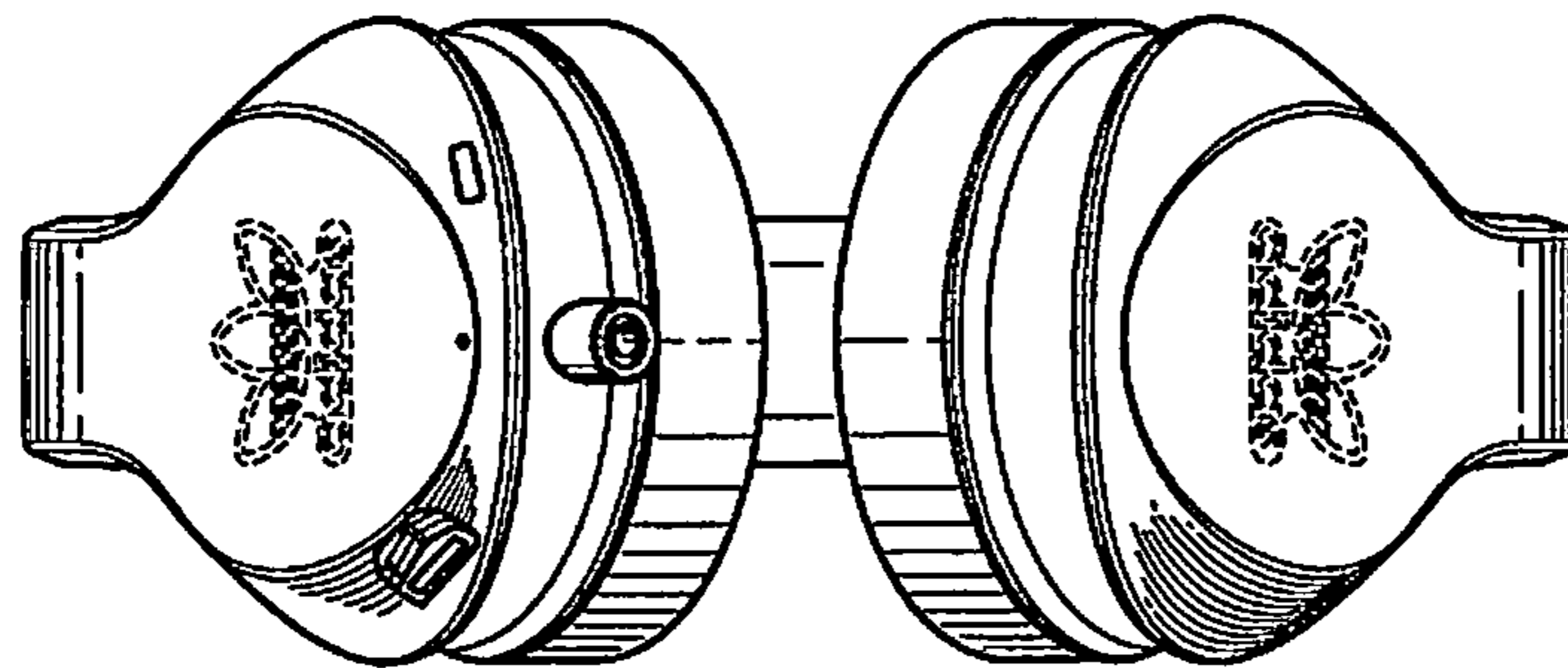


FIG. 7