



US00D747289S

(12) **United States Design Patent**
Lee et al.

(10) **Patent No.:** **US D747,289 S**
(45) **Date of Patent:** **** *Jan. 12, 2016**

(54) **HEADPHONES**

(71) Applicant: **Monster, LLC**, Las Vegas, CA (US)

(72) Inventors: **Noel Lee**, Las Vegas, NV (US);
Kendrew Lee, Hong Kong (CN); **Jacky Hsiung**, San Jose, CA (US); **Li Hoy Yee**, Hong Kong (CN)

(73) Assignee: **Monster LLC**, Las Vegas, NV (US)

(*) Notice: This patent is subject to a terminal disclaimer.

(**) Term: **14 Years**

(21) Appl. No.: **29/487,833**

(22) Filed: **Apr. 11, 2014**

(51) **LOC (10) Cl.** **14-01**

(52) **U.S. Cl.**
USPC **D14/205**

(58) **Field of Classification Search**
USPC D14/205, 206; 181/129, 130, 135;
379/430, 431; 381/380, 381; 455/90.3,
455/575.1
CPC H04R 25/00
See application file for complete search history.

(56) **References Cited**

U.S. PATENT DOCUMENTS

D237,307 S *	10/1975	Miyamoto et al.	D14/192
D342,947 S *	1/1994	Totsuka	D14/192
D345,162 S *	3/1994	Yamatogi	D14/205
D352,036 S *	11/1994	Sekita	D14/192
D502,695 S *	3/2005	Suzuki	D14/192
D534,155 S *	12/2006	Obata	D14/205
D625,705 S *	10/2010	Ohori et al.	D14/205
D656,480 S *	3/2012	McManigal et al.	D14/205
D662,080 S *	6/2012	Carr et al.	D14/205

D673,520 S *	1/2013	Tan	D14/205
D673,532 S *	1/2013	Lee	D14/223
D678,860 S *	3/2013	Hagelin	D14/205
D680,516 S *	4/2013	Lee	D14/205
D683,329 S *	5/2013	Hagelin	D14/205
D684,139 S *	6/2013	Miyake et al.	D14/205
D685,763 S *	7/2013	Lee et al.	D14/205
D693,791 S *	11/2013	Troy	D14/205
D696,228 S *	12/2013	Miyake et al.	D14/205
D697,495 S *	1/2014	Lian	D14/205
D697,895 S *	1/2014	Lee	D14/205
D697,896 S *	1/2014	Lee et al.	D14/205
D714,756 S *	10/2014	Xiang et al.	D14/205
D716,255 S *	10/2014	Cho et al.	D14/205
D716,256 S *	10/2014	Ang	D14/205
D717,766 S *	11/2014	Mchatet	D14/205
2013/0343591 A1 *	12/2013	Brunner et al.	381/371

* cited by examiner

Primary Examiner — Paula Greene

(74) *Attorney, Agent, or Firm* — John Nielsen; Sentinel IP

(57) **CLAIM**

The ornamental design for headphones, as shown and described.

DESCRIPTION

FIG. 1 is a perspective view of the headphones, showing the new design;

FIG. 2 is a front view thereof;

FIG. 3 is a rear view thereof;

FIG. 4 is a side view thereof;

FIG. 5 is a side view thereof;

FIG. 6 is a top view thereof; and,

FIG. 7 is a bottom view thereof.

The ornamental design which is claimed is shown in solid lines in the drawings. The broken lines in the drawings are for illustrative purposes only and form no part of the claimed design.

1 Claim, 4 Drawing Sheets

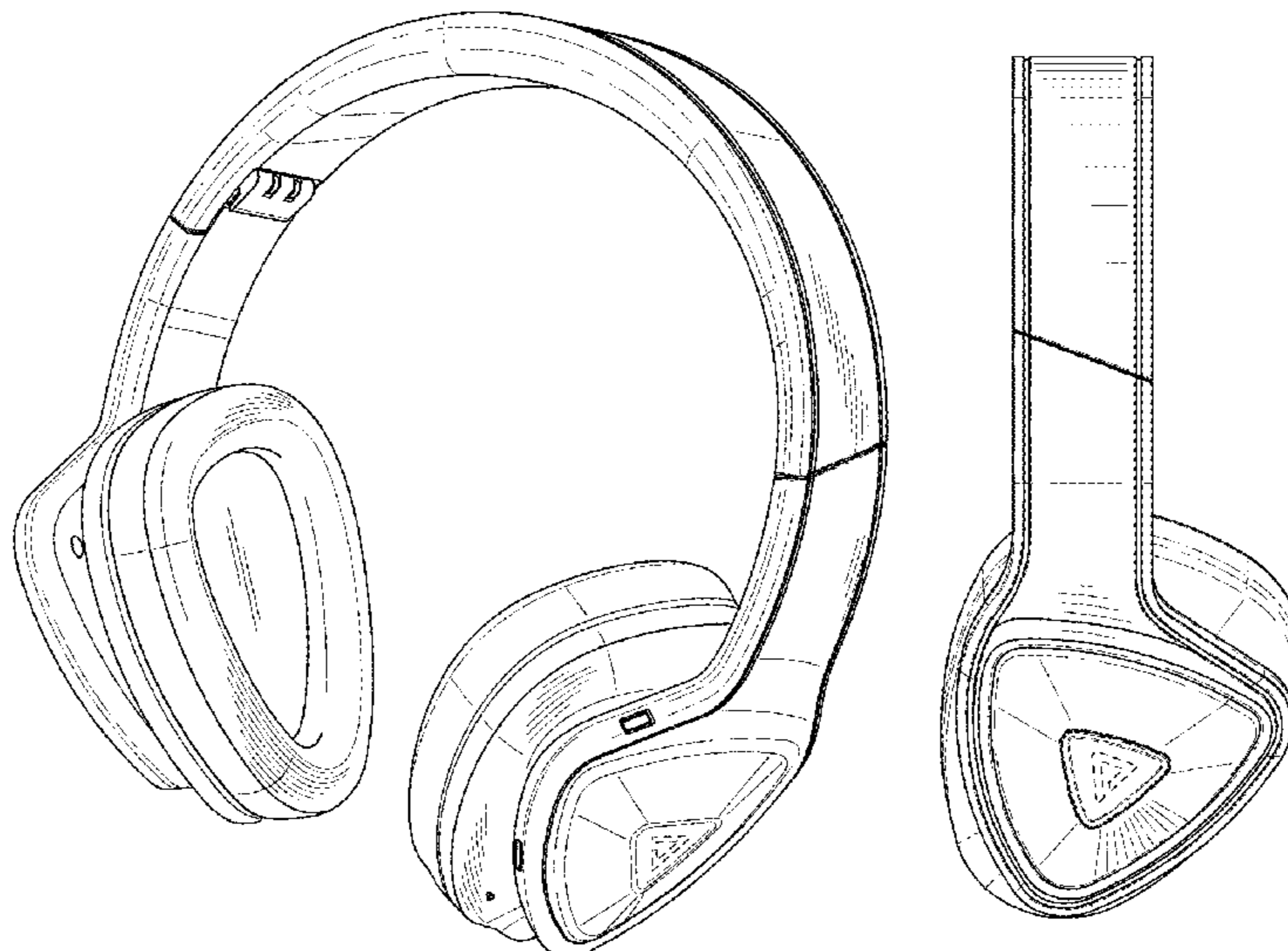




FIG. 1



FIG. 2



FIG. 3

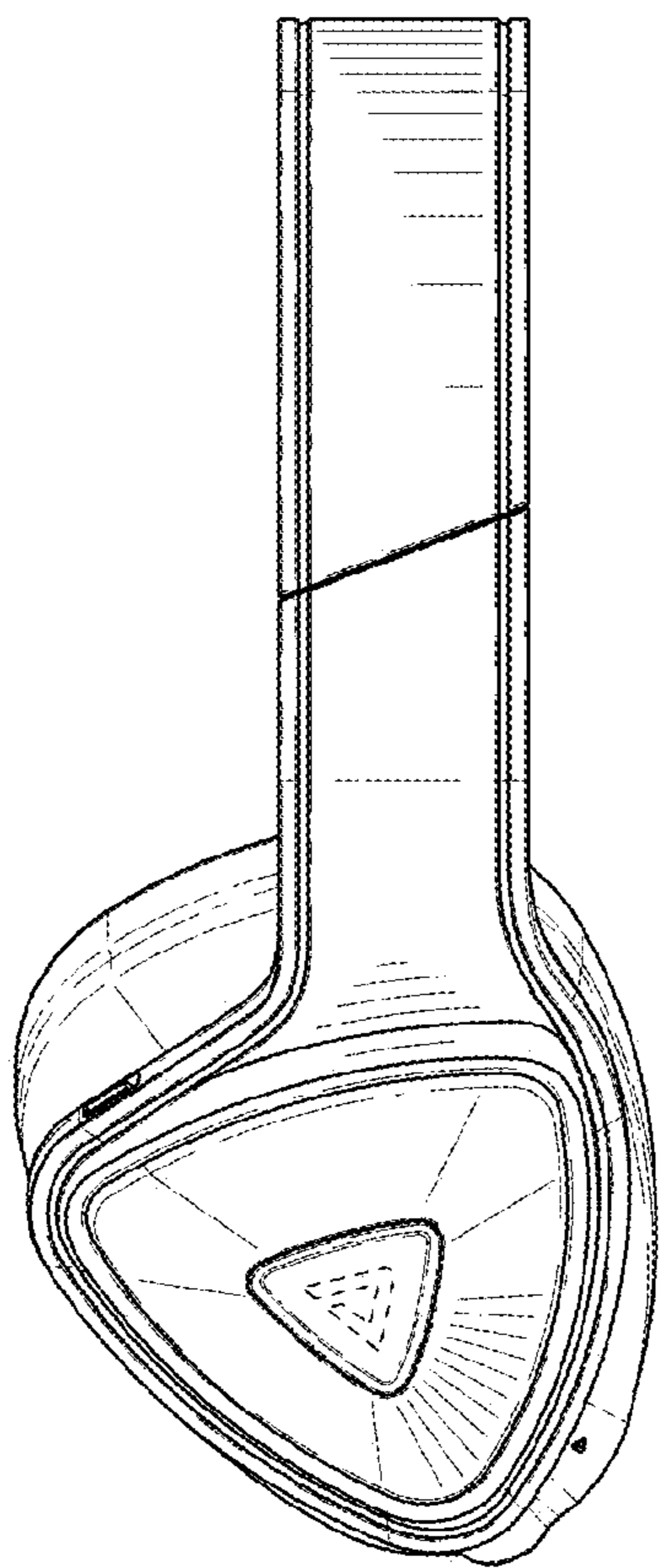


FIG. 4

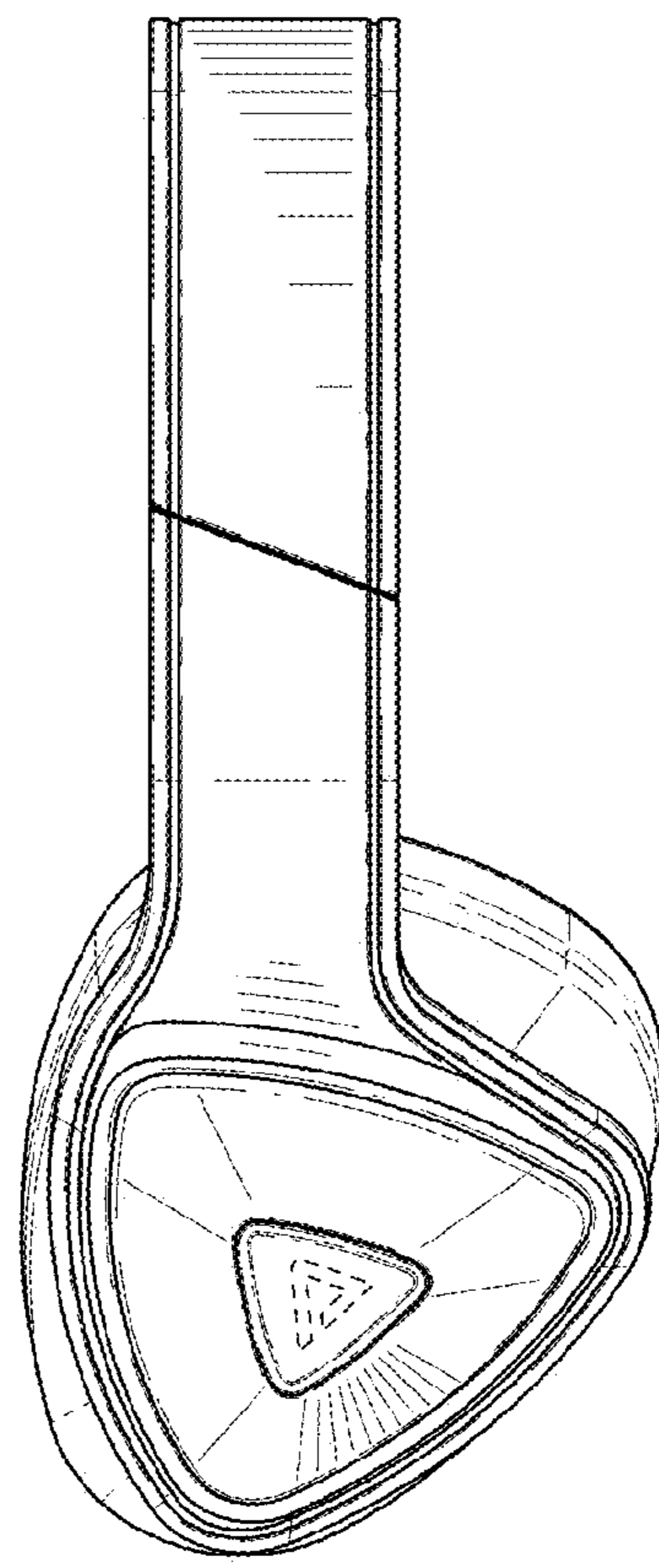


FIG. 5

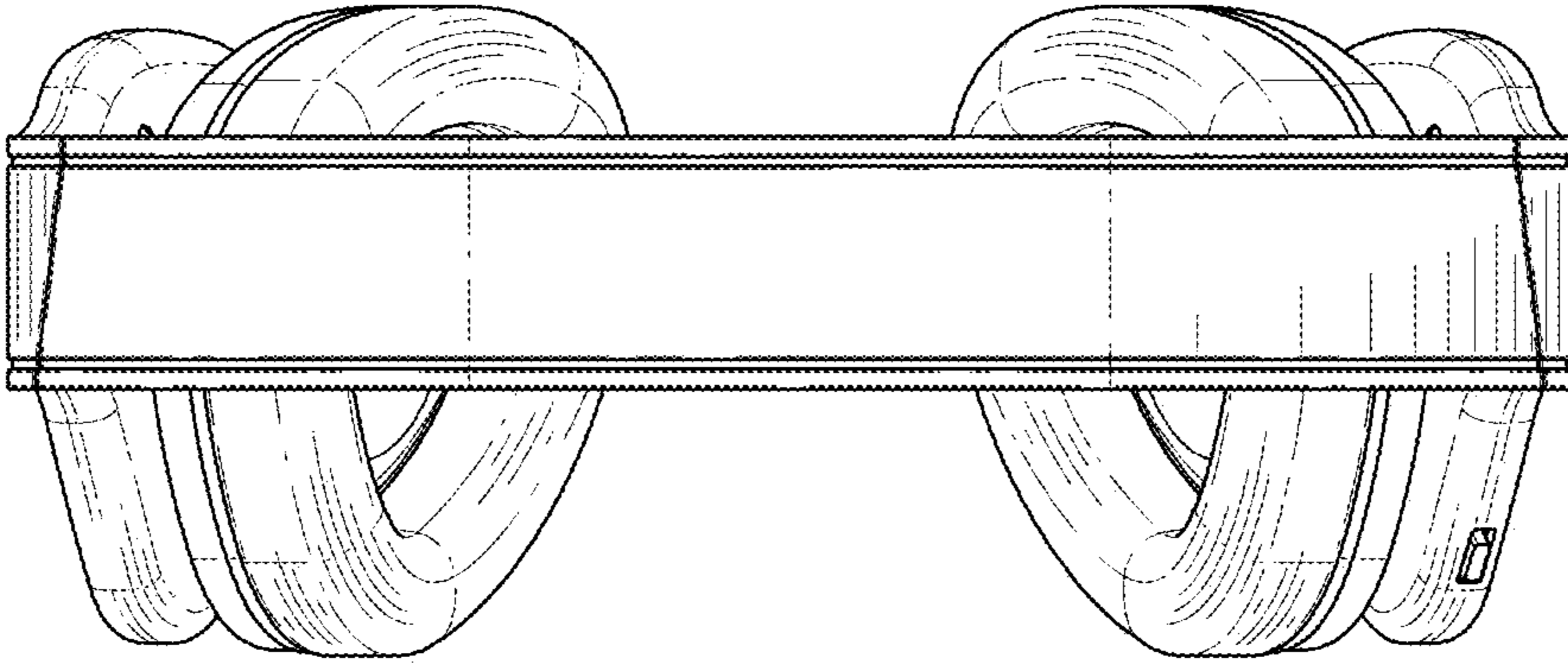


FIG. 6

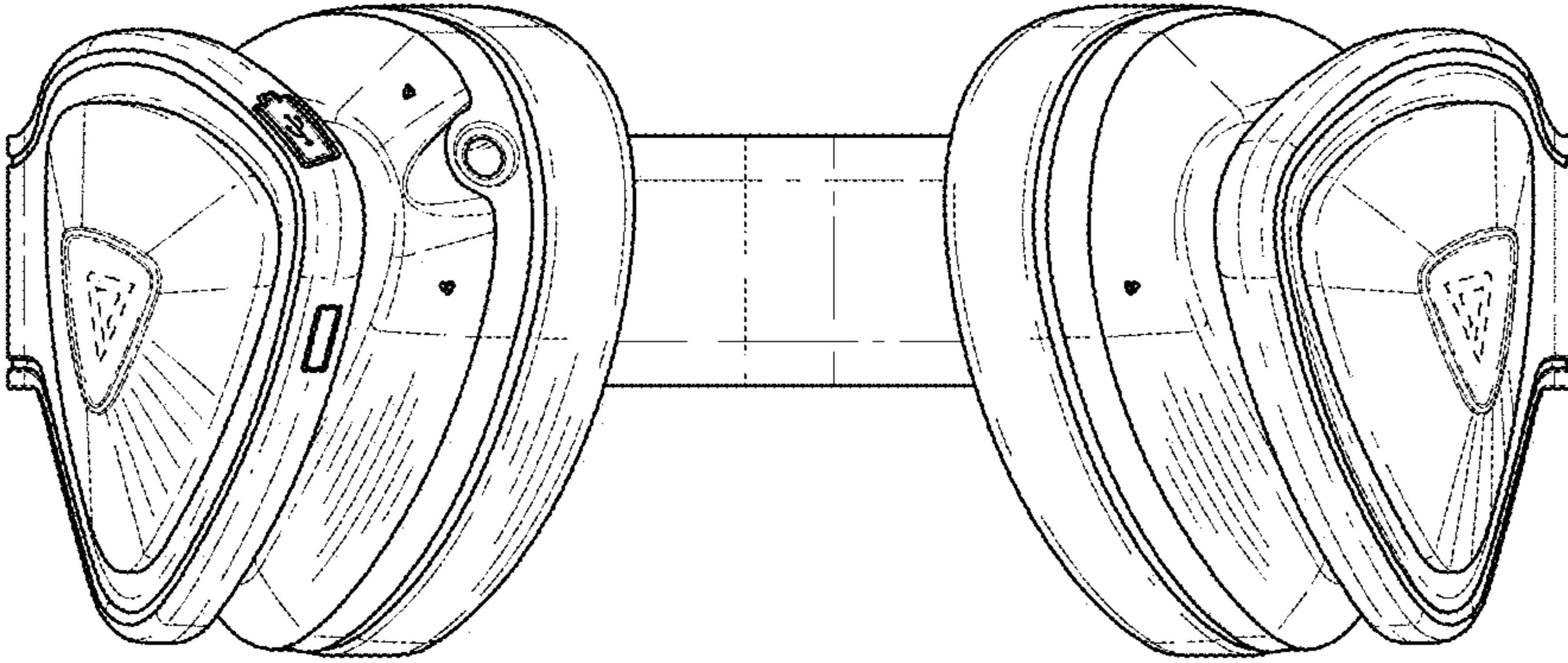


FIG. 7