



US00D747280S

(12) **United States Design Patent**  
**Hedgecock**

(10) **Patent No.:** **US D747,280 S**  
(45) **Date of Patent:** **\*\* Jan. 12, 2016**

(54) **SPIRAL MAGNETIC VORTEX INSTRUMENT**

(71) Applicant: **E-Mergence Technologies, Inc.**, Corte Madera, CA (US)

(72) Inventor: **Sean Hedgecock**, Corte Madera, CA (US)

(73) Assignee: **E-Mergence Technologies, Inc.**, Corte Madera, CA (US)

(\*\*) Term: **14 Years**

(21) Appl. No.: **29/432,948**

(22) Filed: **Sep. 24, 2012**

(51) **LOC (10) Cl.** ..... **13-99**

(52) **U.S. Cl.**  
USPC ..... **D13/183**

(58) **Field of Classification Search**  
USPC ..... D13/103, 110, 118, 122, 166, 177, 183,  
D13/184, 199; 600/9-15; 335/209, 219,  
335/228, 251, 255, 278, 281, 296, 305  
See application file for complete search history.

(56) **References Cited**

**U.S. PATENT DOCUMENTS**

375,749	A *	1/1888	Humans	335/306
2,948,871	A *	8/1960	Craige	336/83
3,043,994	A *	7/1962	Anderson et al.	335/299
D263,581	S *	3/1982	Kaye	D13/103
D293,431	S *	12/1987	Makinson et al.	D13/110
D306,577	S *	3/1990	Matsutani et al.	D13/183
D314,186	S *	1/1991	Fujioka	D13/199
4,983,932	A *	1/1991	Kitagawa	333/12
5,113,163	A *	5/1992	Leupold	335/216
5,410,286	A *	4/1995	Herd et al.	335/216
D363,702	S *	10/1995	McFadden	D13/183
6,008,710	A *	12/1999	Coates	335/296
6,124,775	A *	9/2000	Linkner, Jr.	335/278
6,392,516	B1 *	5/2002	Ward et al.	335/255

6,853,282	B2 *	2/2005	Kuth	335/296
D514,533	S *	2/2006	Sugiyama et al.	D13/199
7,729,758	B2 *	6/2010	Haller et al.	607/2
D631,438	S *	1/2011	Yokoyama et al.	D13/122
8,382,062	B2 *	2/2013	Christensen	251/129.15
2011/0062812	A1 *	3/2011	Horng et al.	310/156.22
2014/0088337	A1 *	3/2014	Hedgecock	600/9

**OTHER PUBLICATIONS**

Starline Enterprises, Onyx Cylinder Votive Candleholder SE-105, May 1, 2011, p. 1, <[http://www.paksalts.com/index.php?controller=product&product\\_id=152](http://www.paksalts.com/index.php?controller=product&product_id=152)>.\*

\* cited by examiner

*Primary Examiner* — Derrick Holland

*Assistant Examiner* — Lauren Calve

(74) *Attorney, Agent, or Firm* — Temmerman Law Office; Matthew J. Temmerman

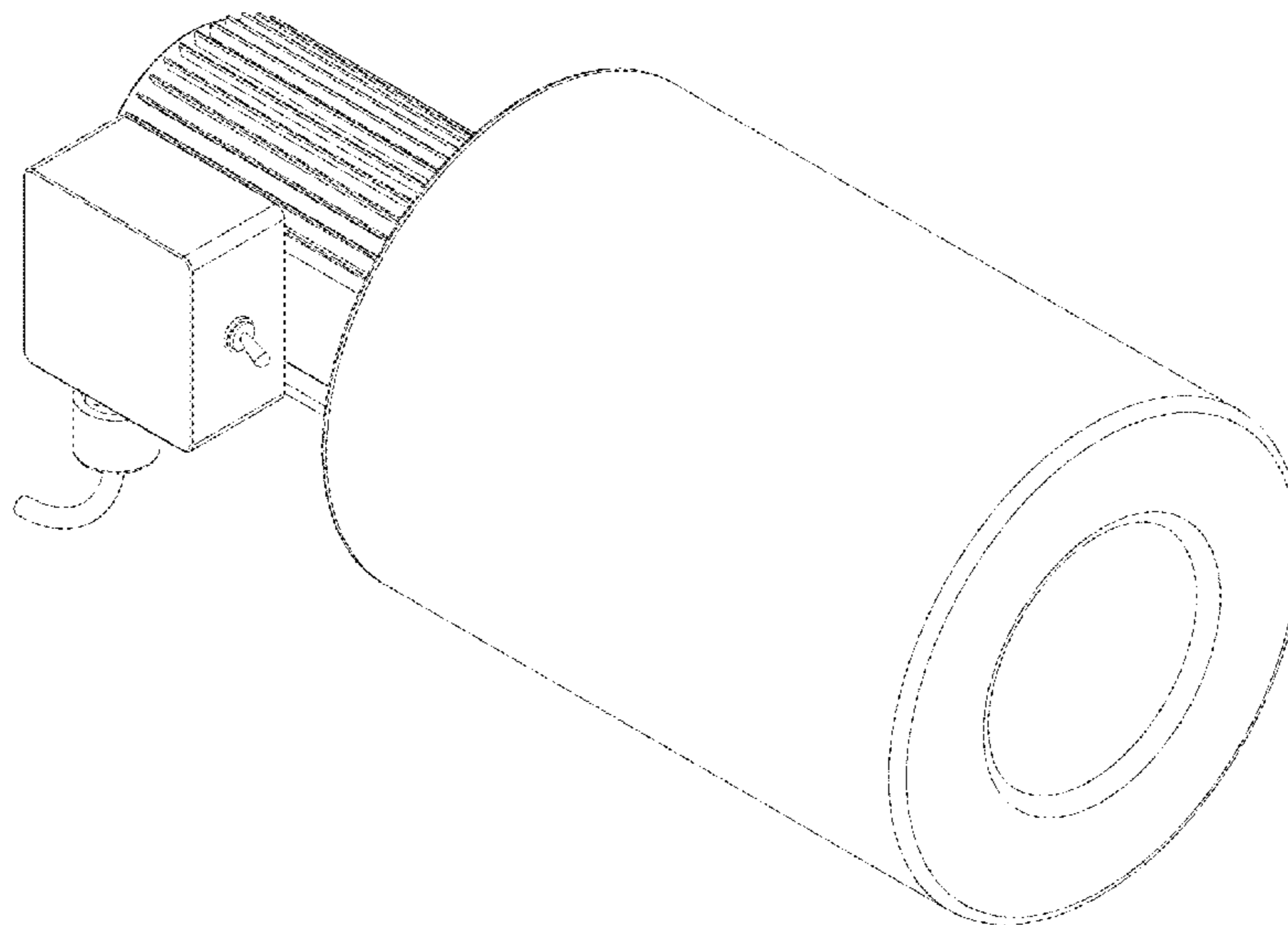
(57) **CLAIM**

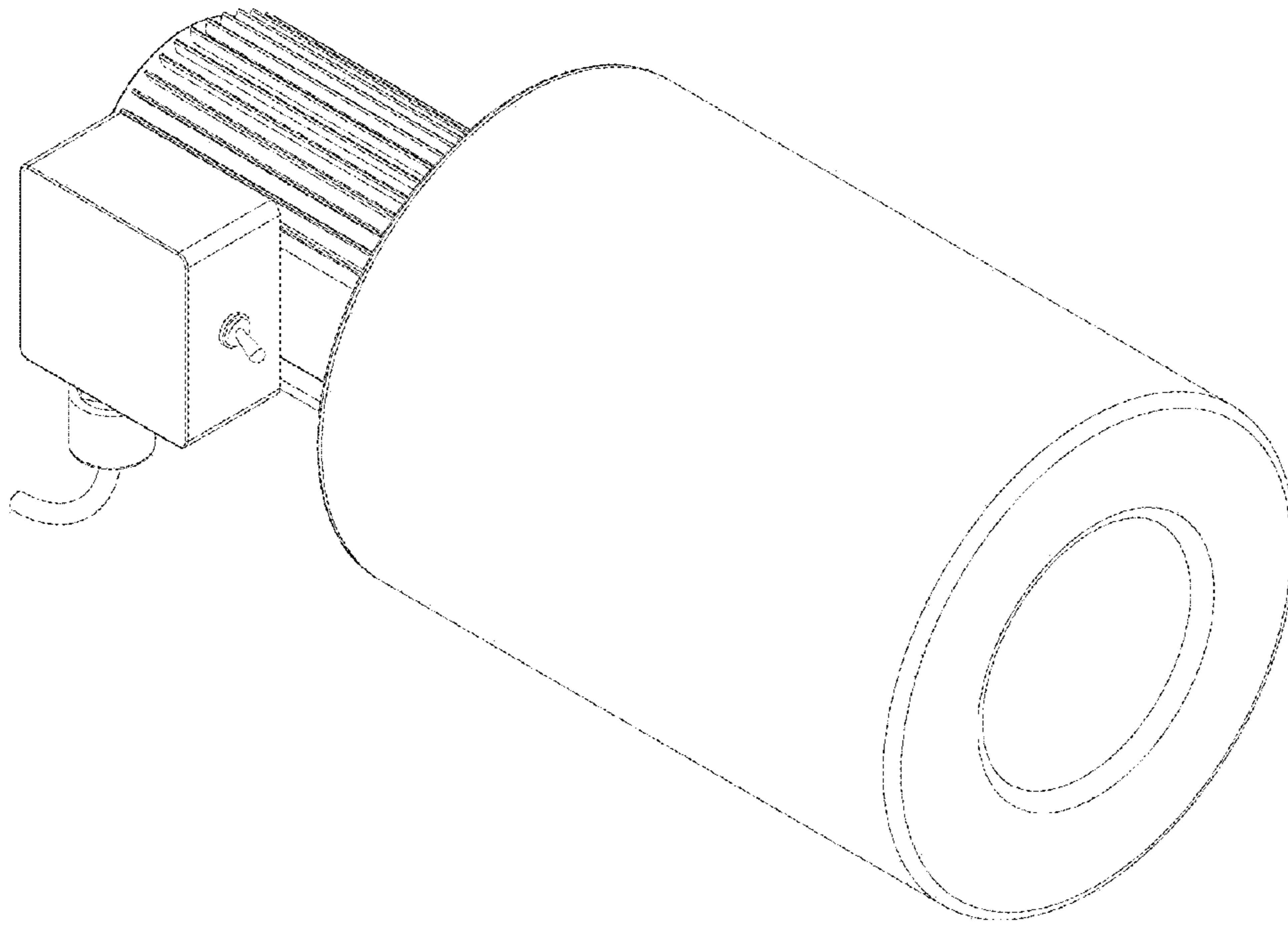
The ornamental design for a spiral magnetic vortex instrument, as shown and described.

**DESCRIPTION**

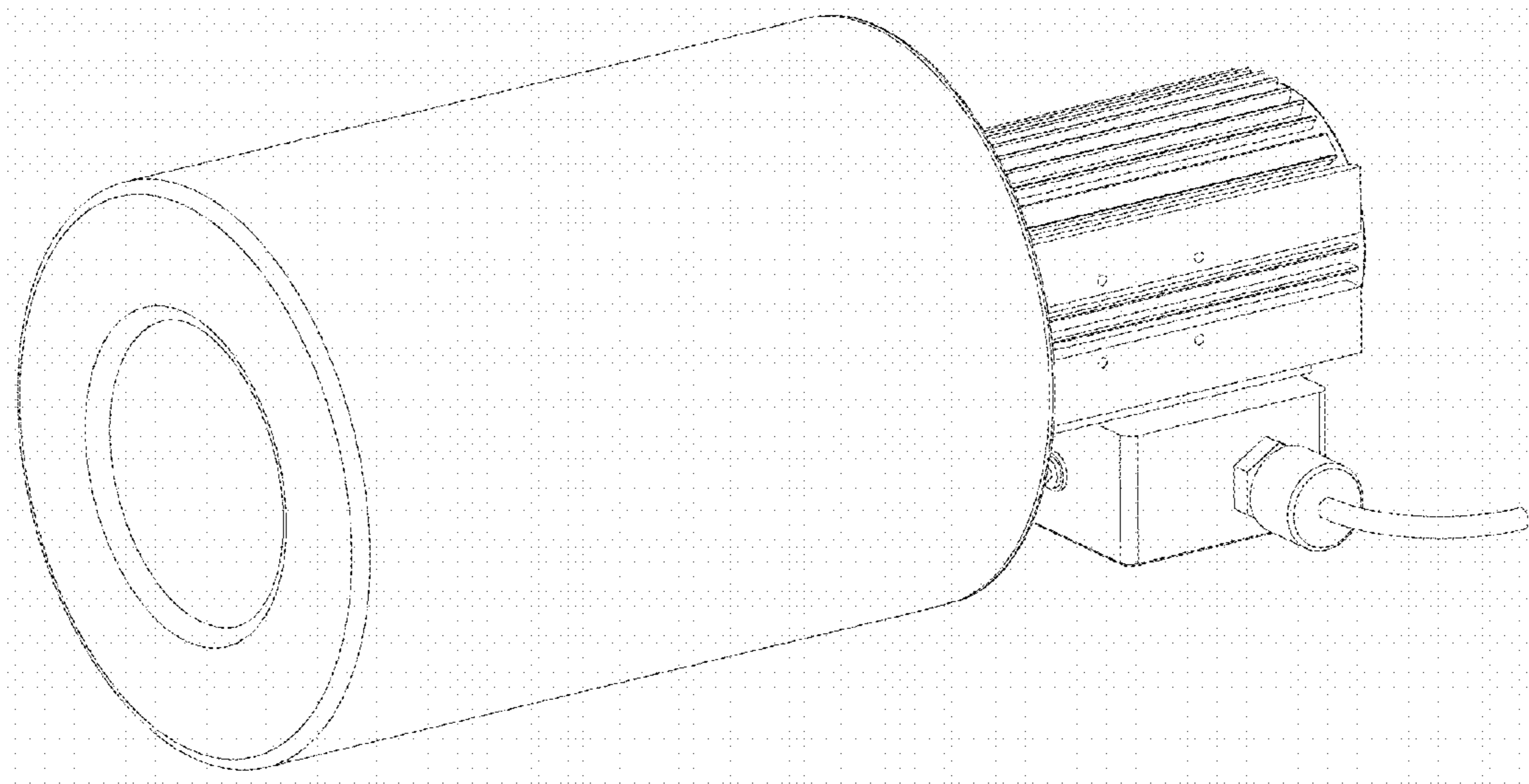
FIG. 1 is a top, front right perspective view of a spiral magnetic vortex instrument showing my new design; FIG. 2 is a top, front left perspective view thereof; FIG. 3 is a top, rear right perspective view thereof; FIG. 4 is a top, rear left perspective view thereof; FIG. 5 is a right side view thereof; FIG. 6 is a left side view thereof; FIG. 7 is a front view thereof; FIG. 8 is a rear view thereof; FIG. 9 is a bottom view thereof; FIG. 10 is a top view thereof; FIG. 11 is a front perspective view thereof; and, FIG. 12 is a second front perspective view thereof.

**1 Claim, 6 Drawing Sheets**

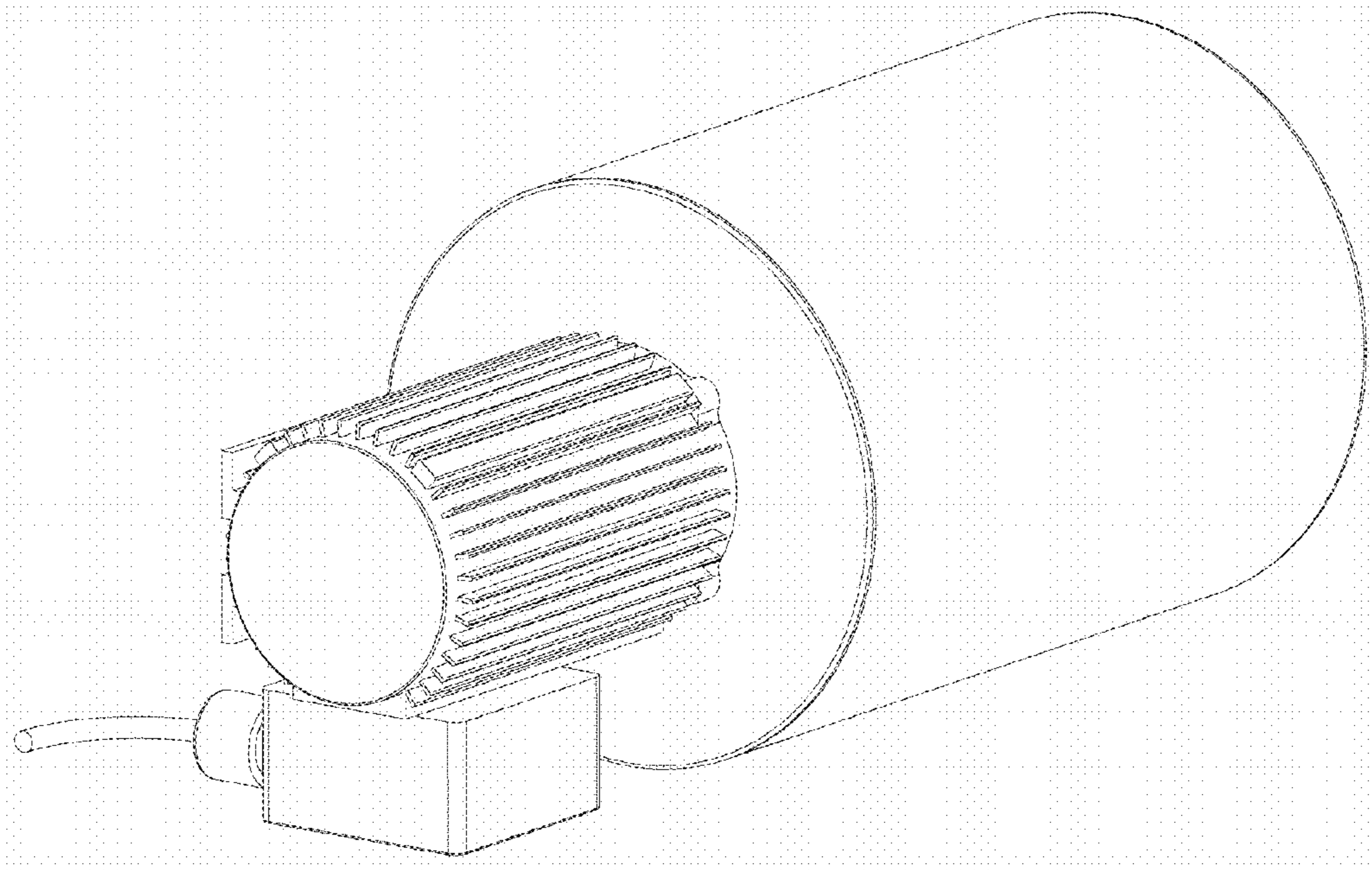




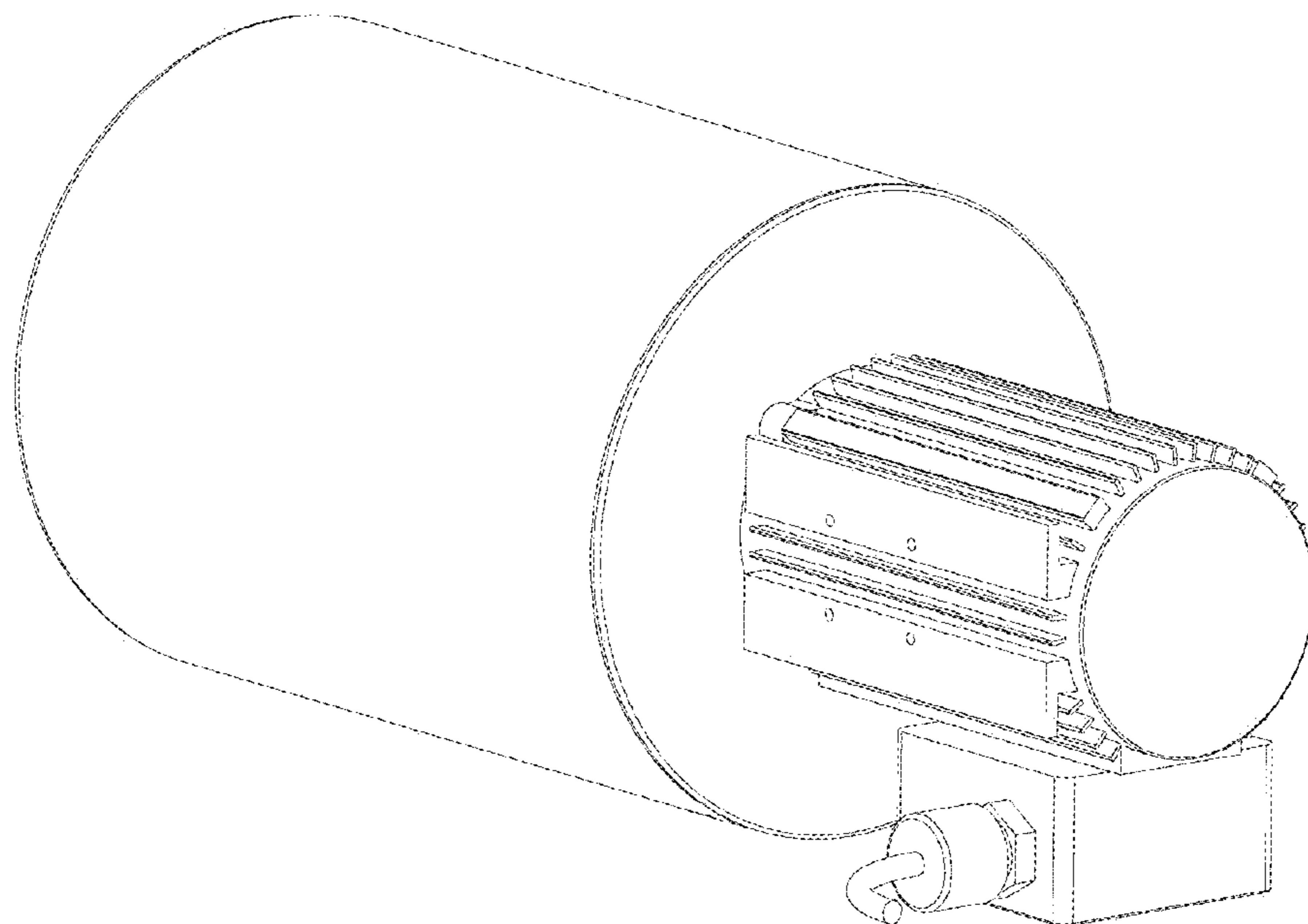
**Fig. 1**



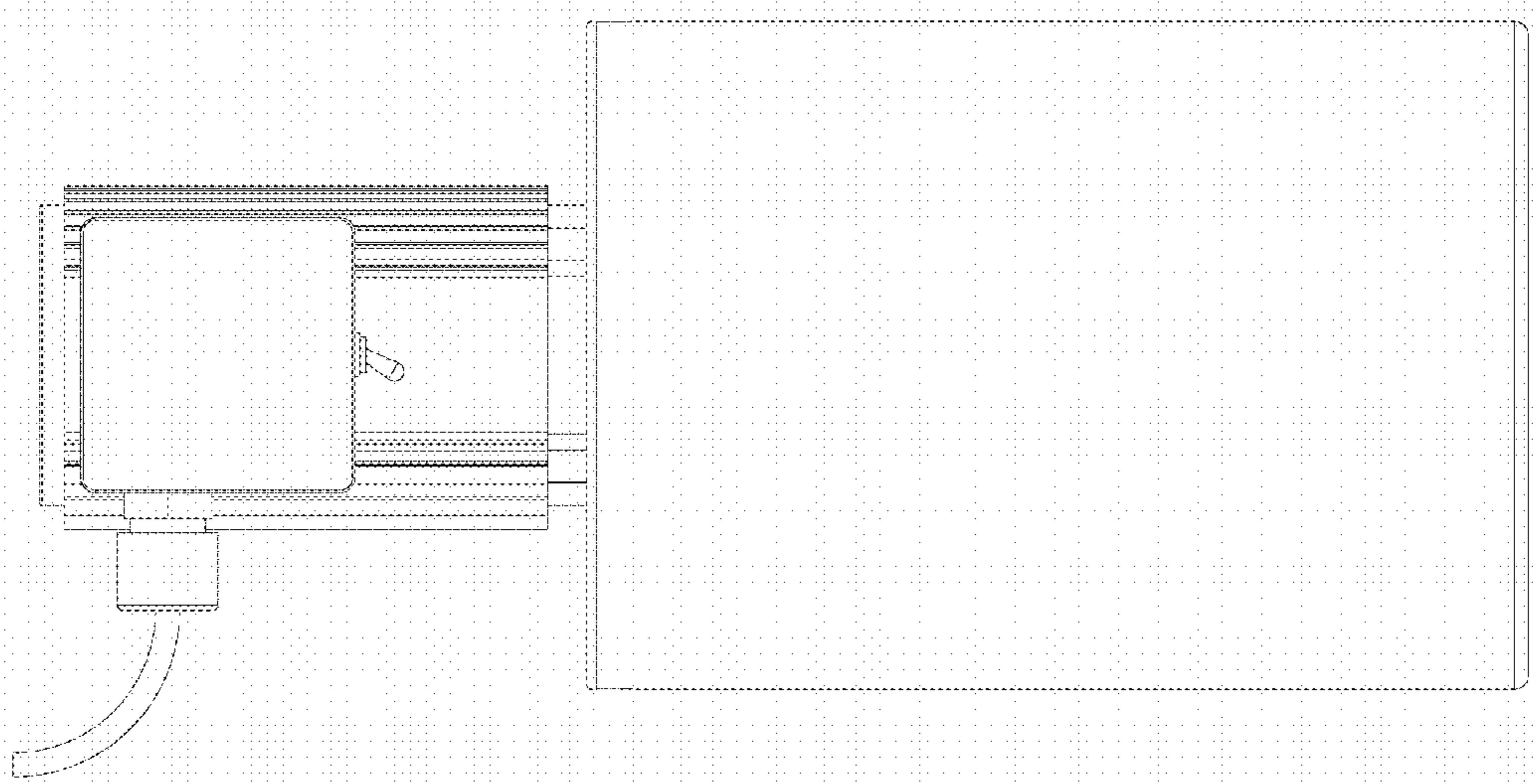
**Fig. 2**



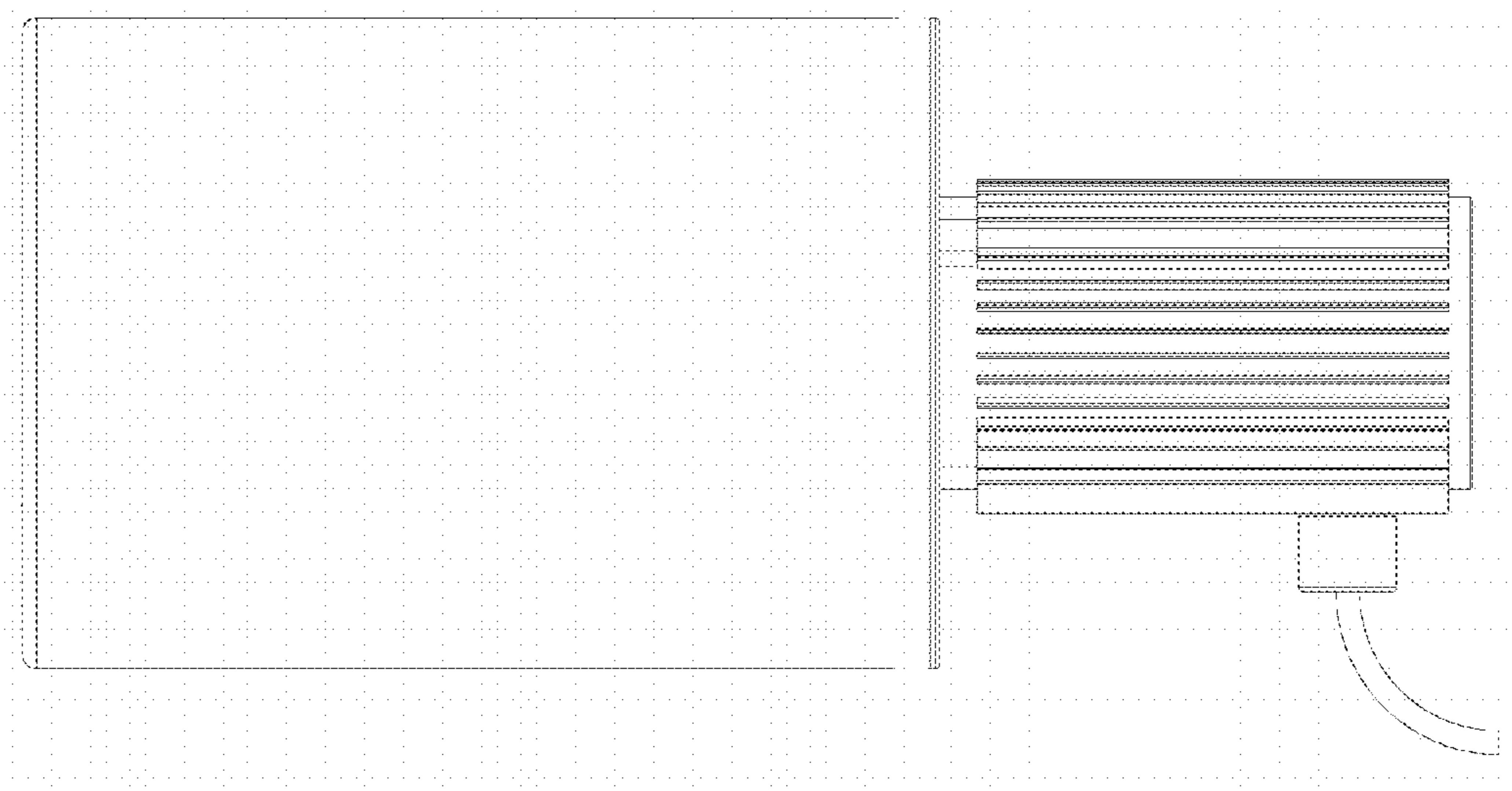
**Fig. 3**



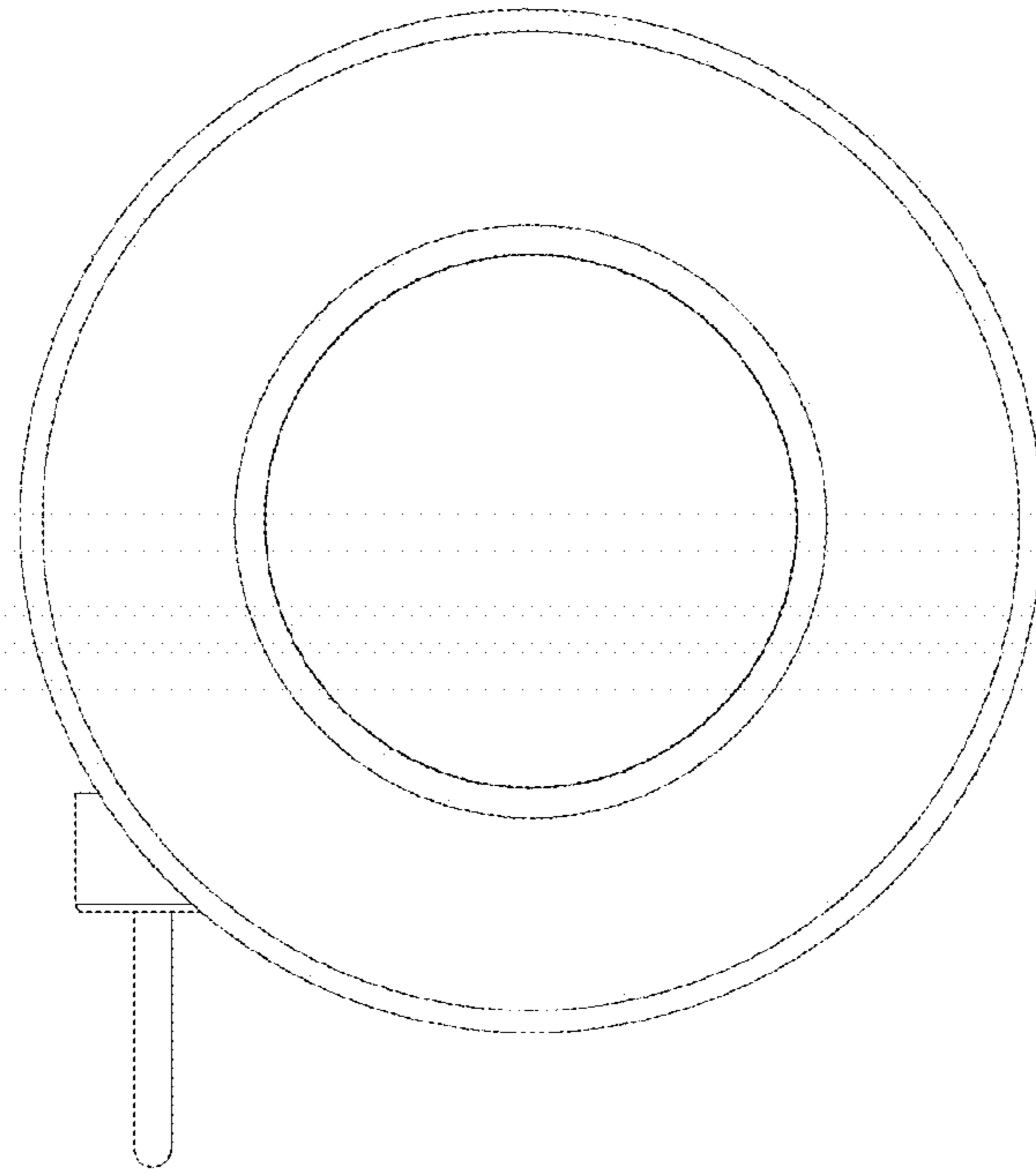
**Fig. 4**



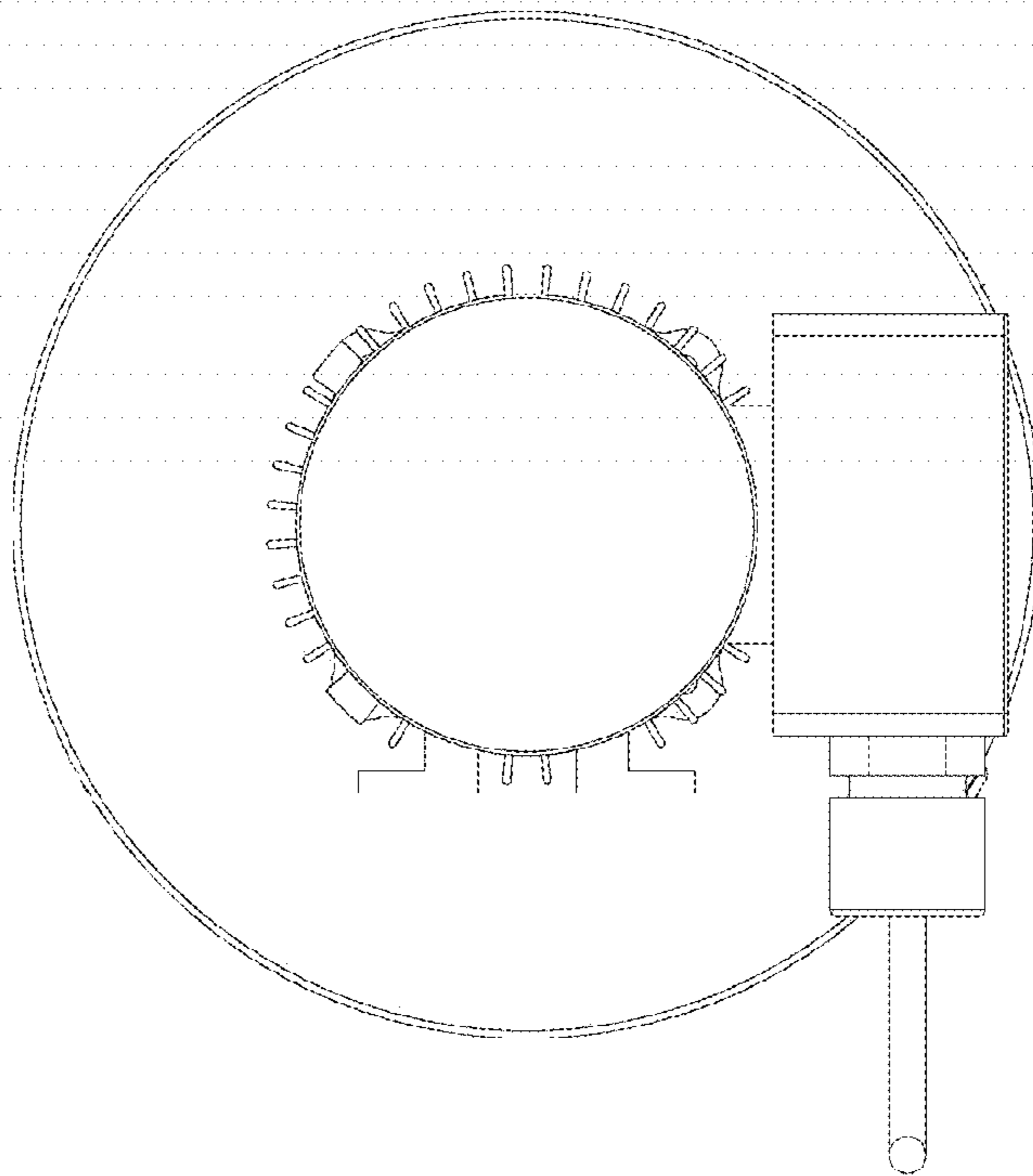
**Fig. 5**



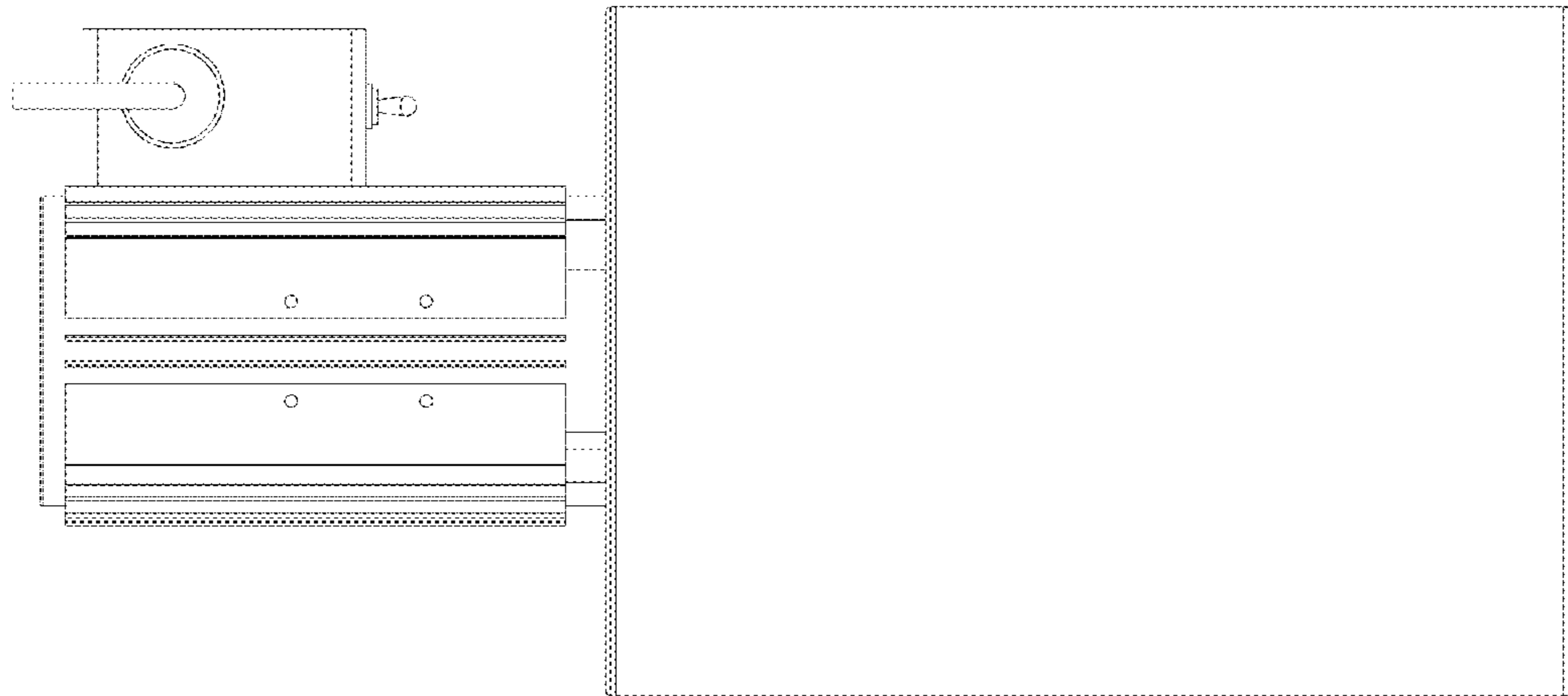
**Fig. 6**



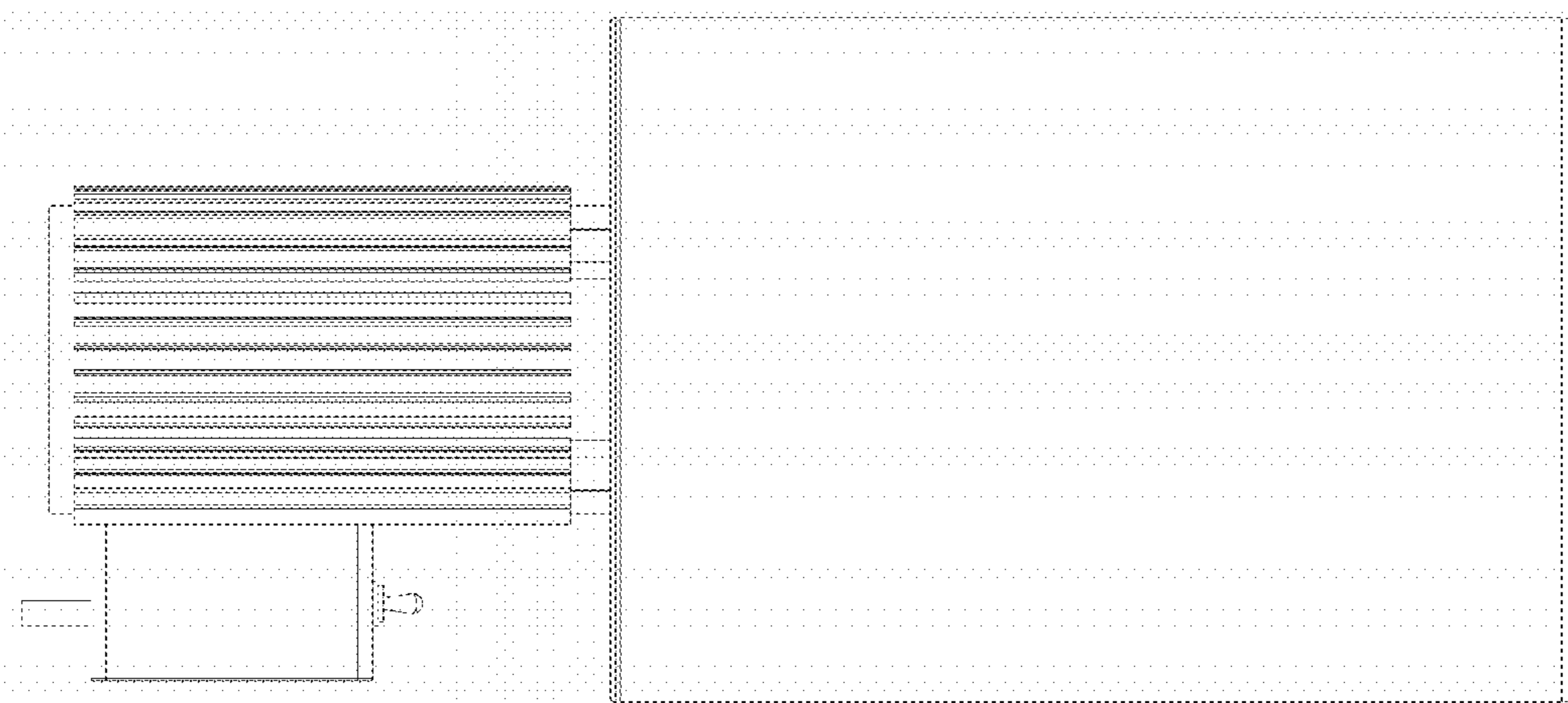
**Fig. 7**



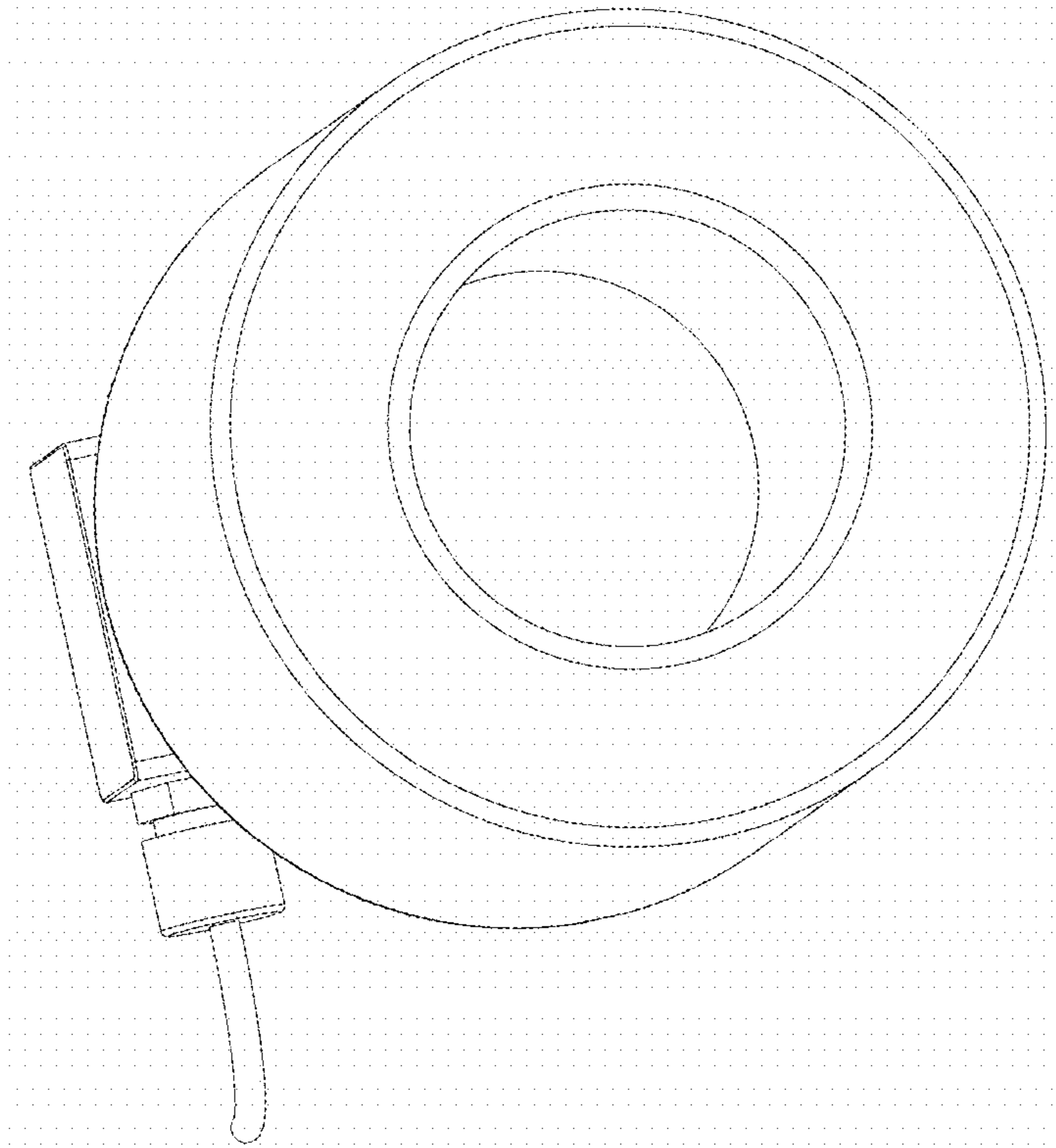
**Fig. 8**



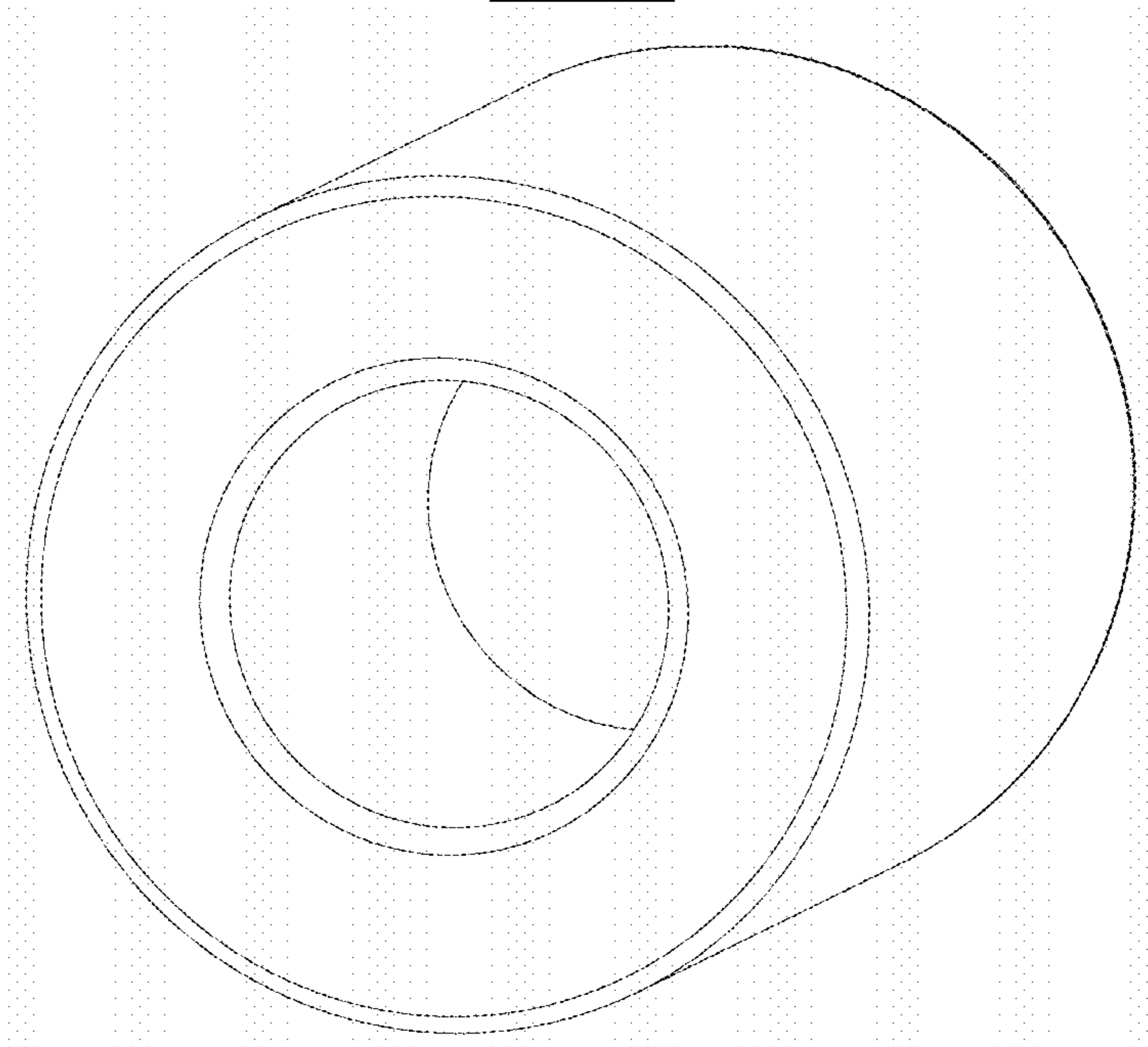
**Fig. 9**



**Fig. 10**



**Fig. 11**



**Fig. 12**