



US00D747279S

(12) **United States Design Patent**
Yoshida et al.

(10) **Patent No.:** **US D747,279 S**
(45) **Date of Patent:** **** *Jan. 12, 2016**

(54) **BOAT FOR SUBSTRATE PROCESSING APPARATUS**

(71) Applicant: **Hitachi Kokusai Electric Inc.**, Tokyo (JP)

(72) Inventors: **Hidenari Yoshida**, Toyama (JP);
Tomoshi Taniyama, Toyama (JP)

(73) Assignee: **HITACHI KOKUSAI ELECTRIC INC.**, Tokyo (JP)

(*) Notice: This patent is subject to a terminal disclaimer.

(**) Term: **14 Years**

(21) Appl. No.: **29/480,455**

(22) Filed: **Jan. 27, 2014**

(30) **Foreign Application Priority Data**

Jul. 29, 2013 (JP) 2013-017234

(51) **LOC (10) Cl.** **13-03**

(52) **U.S. Cl.**
USPC **D13/182**

(58) **Field of Classification Search**
USPC D13/182; D15/144, 144.1, 199; 118/715, 500, 728, 729; 211/41.18; 432/253, 258; 156/345.51, 345.52, 156/345.53, 345.55; 414/217, 220.01, 414/935-941
CPC C23C 16/458; C23C 16/4581; C23C 16/4582; C23C 16/4583; C23C 16/4584; C23C 16/4586; C23C 16/4587; C23C 16/4588; C30B 31/14; H01L 21/673; H01L 21/67303; H01L 21/67306; H01L 21/67309; H01L 21/67313; H01L 21/67316; H01L 21/67323; H01L 21/67326; H01L 21/6733

See application file for complete search history.

(56) **References Cited**

U.S. PATENT DOCUMENTS

D361,752 S *	8/1995	Yamaga	D13/182
D366,868 S *	2/1996	Ohsawa	D13/182
D378,675 S *	4/1997	Iwai	D13/182
D378,823 S *	4/1997	Watanabe et al.	D15/140
D380,454 S *	7/1997	Iwai et al.	D13/182
5,752,609 A *	5/1998	Kato et al.	211/41.18
D404,015 S *	1/1999	Honma	D13/182
D404,371 S *	1/1999	Shimazu	D13/182
5,897,311 A *	4/1999	Nishi	432/239
D409,158 S *	5/1999	Shimazu	D13/182

(Continued)

FOREIGN PATENT DOCUMENTS

JP	1386309 S	4/2010
JP	1386461 S	4/2010

(Continued)

Primary Examiner — Elizabeth J Oswecki

(74) *Attorney, Agent, or Firm* — Fitch, Even, Tabin and Flannery LLP

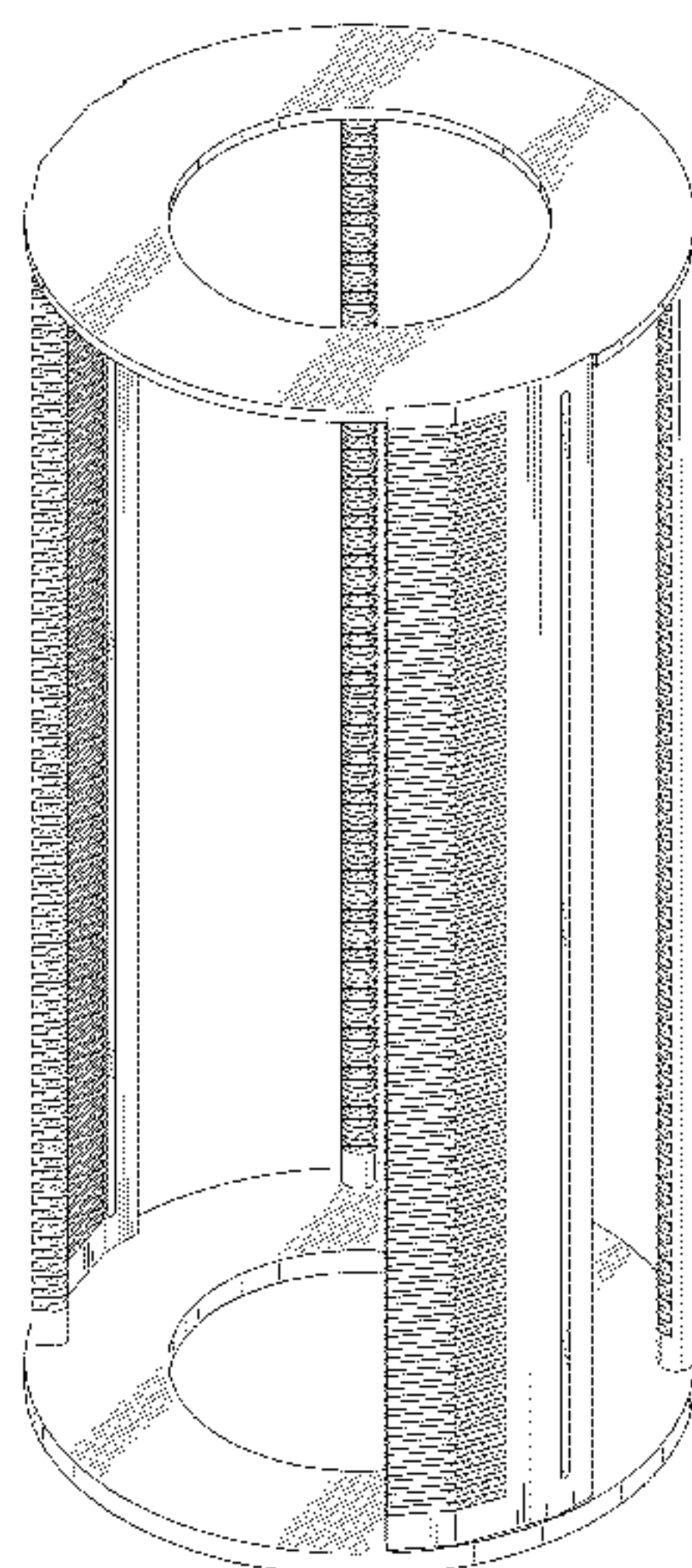
(57) **CLAIM**

We claim the ornamental design for a boat for substrate processing apparatus, as shown and described.

DESCRIPTION

FIG. 1 is a front, top and right side perspective view of a boat for substrate processing apparatus showing our new design; FIG. 2 is a front elevational view thereof; FIG. 3 is a rear elevational view thereof; FIG. 4 is a left side elevational view thereof; FIG. 5 is a right side elevational view thereof; FIG. 6 is a top plan view thereof; FIG. 7 is a bottom plan view thereof; FIG. 8 is a cross-sectional view taken along line 8-8 in FIG. 2; and, FIG. 9 is cross-sectional view taken along line 9-9 in FIG. 2.

1 Claim, 8 Drawing Sheets



(56)

References Cited

U.S. PATENT DOCUMENTS

D411,176 S * 6/1999 Shimazu D13/182
 6,062,853 A * 5/2000 Shimazu et al. 432/258
 6,065,615 A * 5/2000 Uchiyama et al. 211/41.18
 6,095,806 A * 8/2000 Suzuki et al. 432/241
 6,099,302 A * 8/2000 Hong et al. 432/259
 6,099,645 A * 8/2000 Easley et al. 118/500
 6,287,112 B1 * 9/2001 Van Voorst Vader et al. . 432/258
 6,341,935 B1 * 1/2002 Tseng 414/800
 D570,308 S * 6/2008 Sato D13/182
 D570,309 S * 6/2008 Sato et al. D13/182
 D580,894 S * 11/2008 Sato D13/182
 7,484,958 B2 * 2/2009 Kobayashi 432/258

D600,221 S * 9/2009 Sato D13/182
 D600,222 S * 9/2009 Sato D13/182
 D616,394 S * 5/2010 Sato D13/182
 D616,395 S * 5/2010 Sato D13/182
 D616,396 S * 5/2010 Sato D13/182
 D655,255 S * 3/2012 Takebayashi et al. D13/182
 D655,682 S * 3/2012 Takebayashi et al. D13/182

FOREIGN PATENT DOCUMENTS

JP 1387610 S 5/2010
 JP 1437342 S 4/2012
 JP 1437592 S 4/2012

* cited by examiner

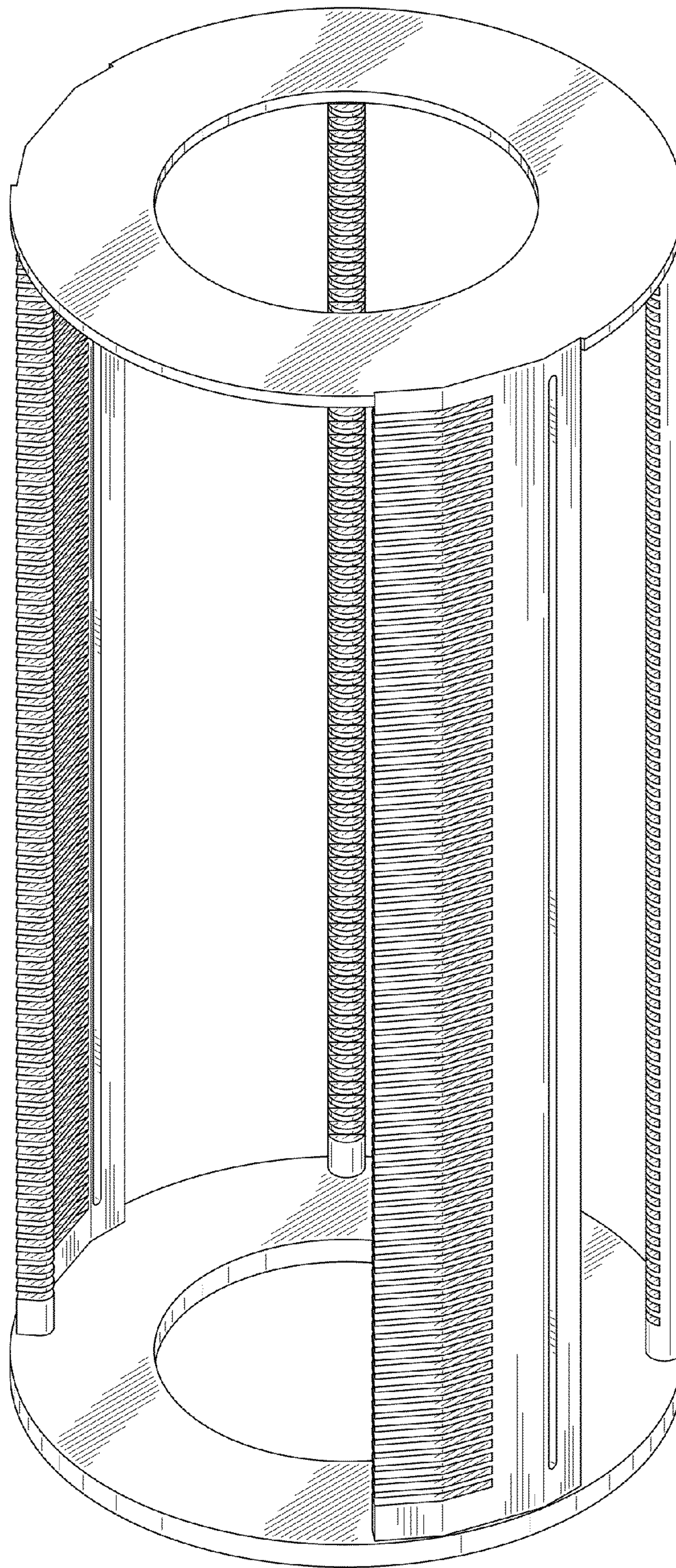
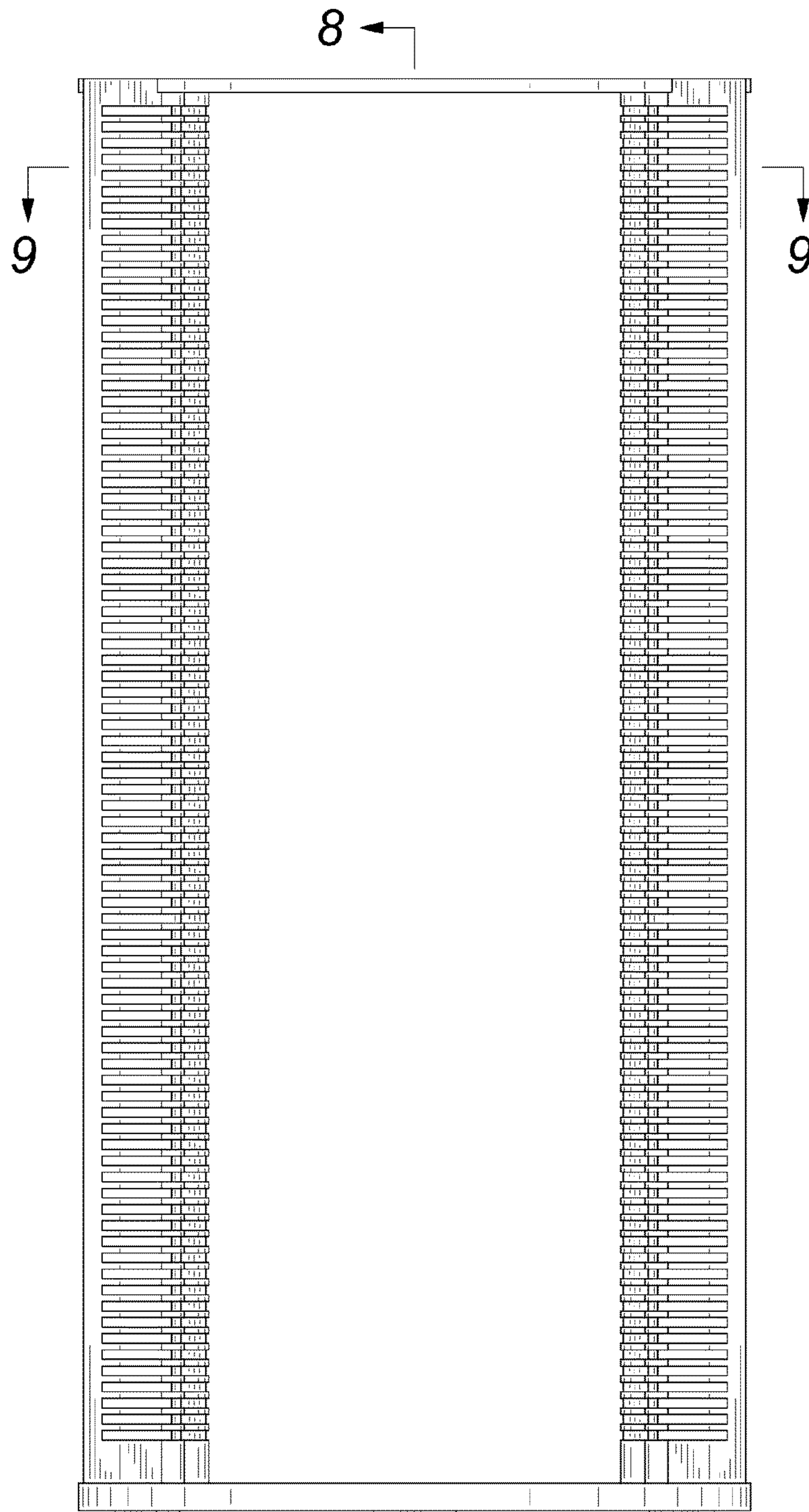


FIG. 1



8 ←
FIG. 2

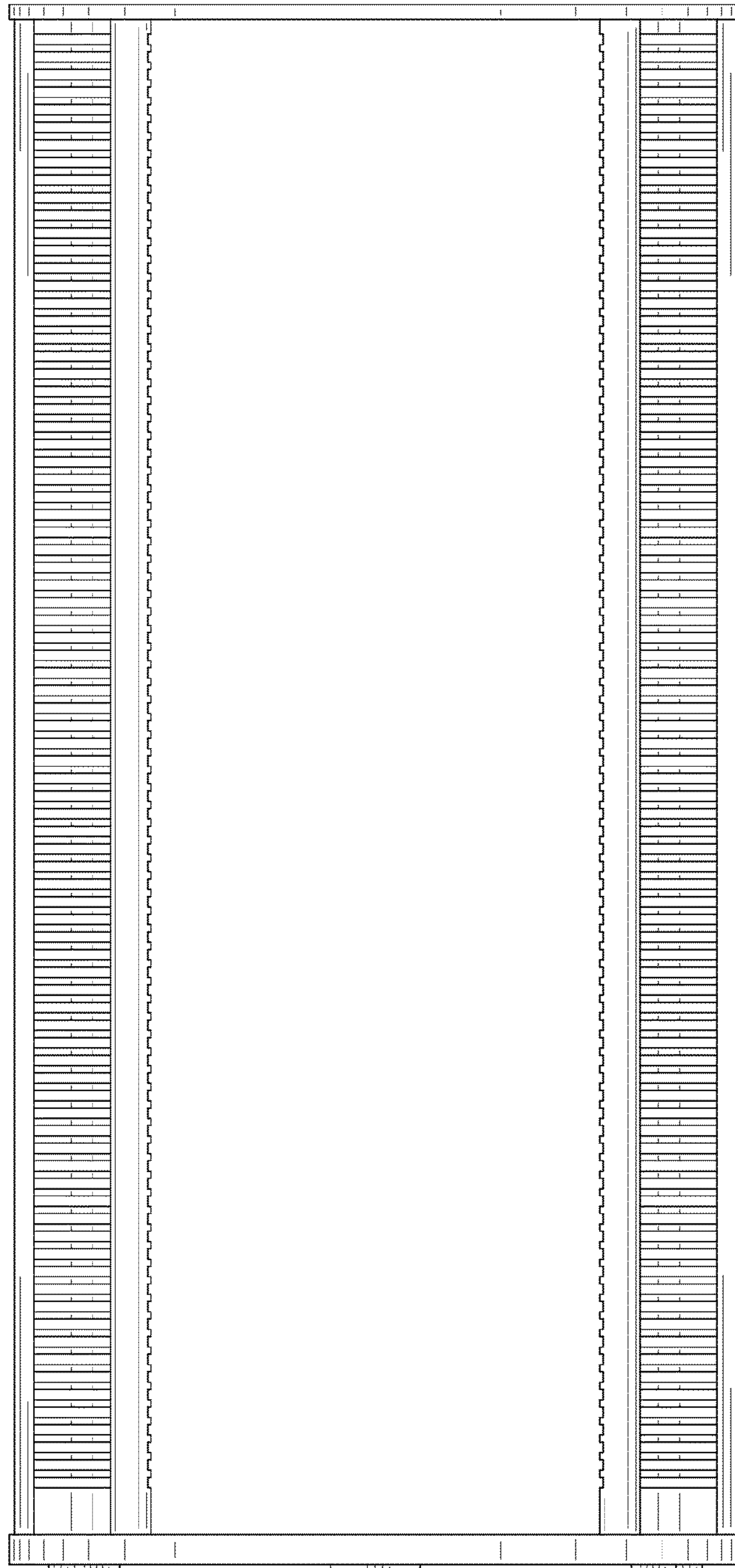


FIG. 3

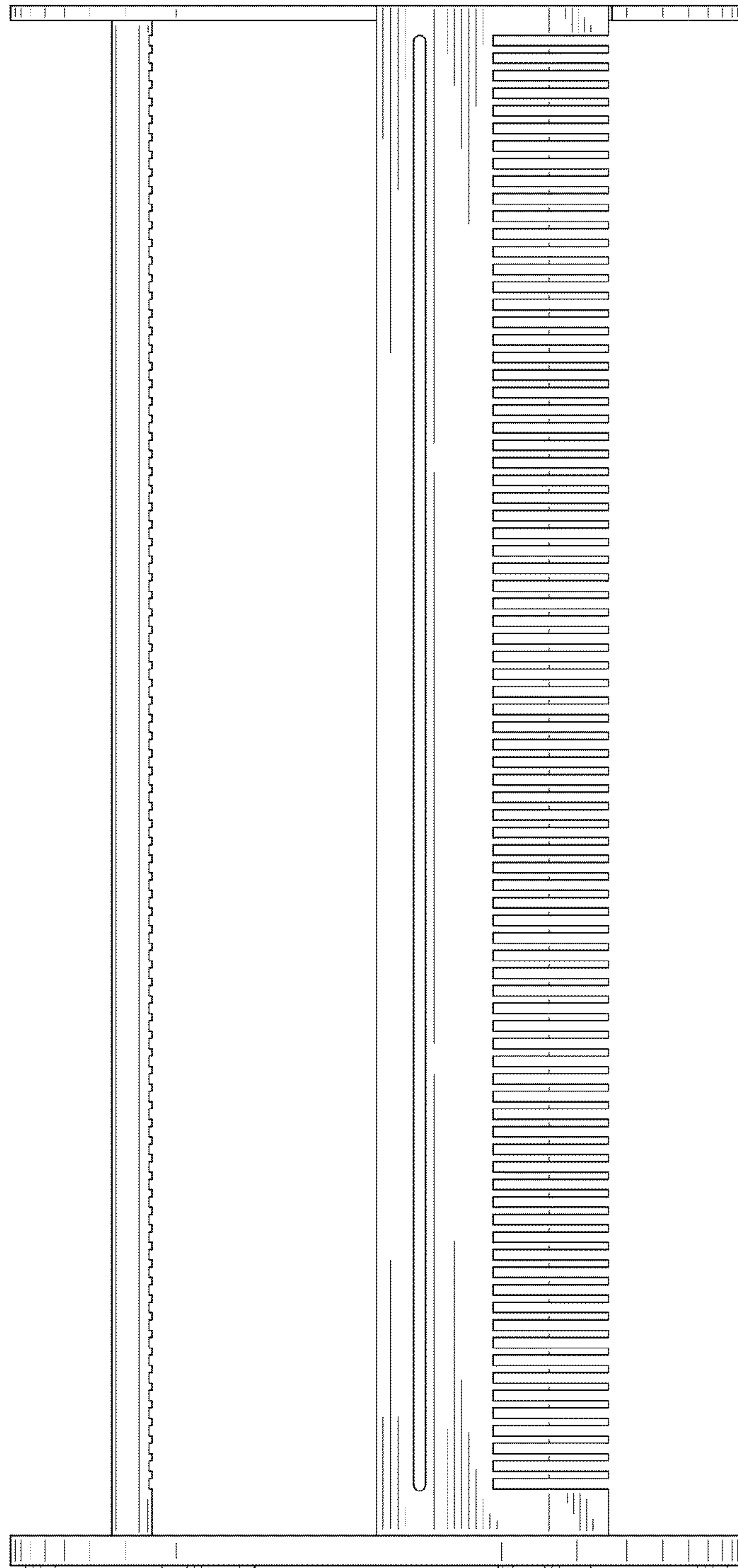


FIG. 4

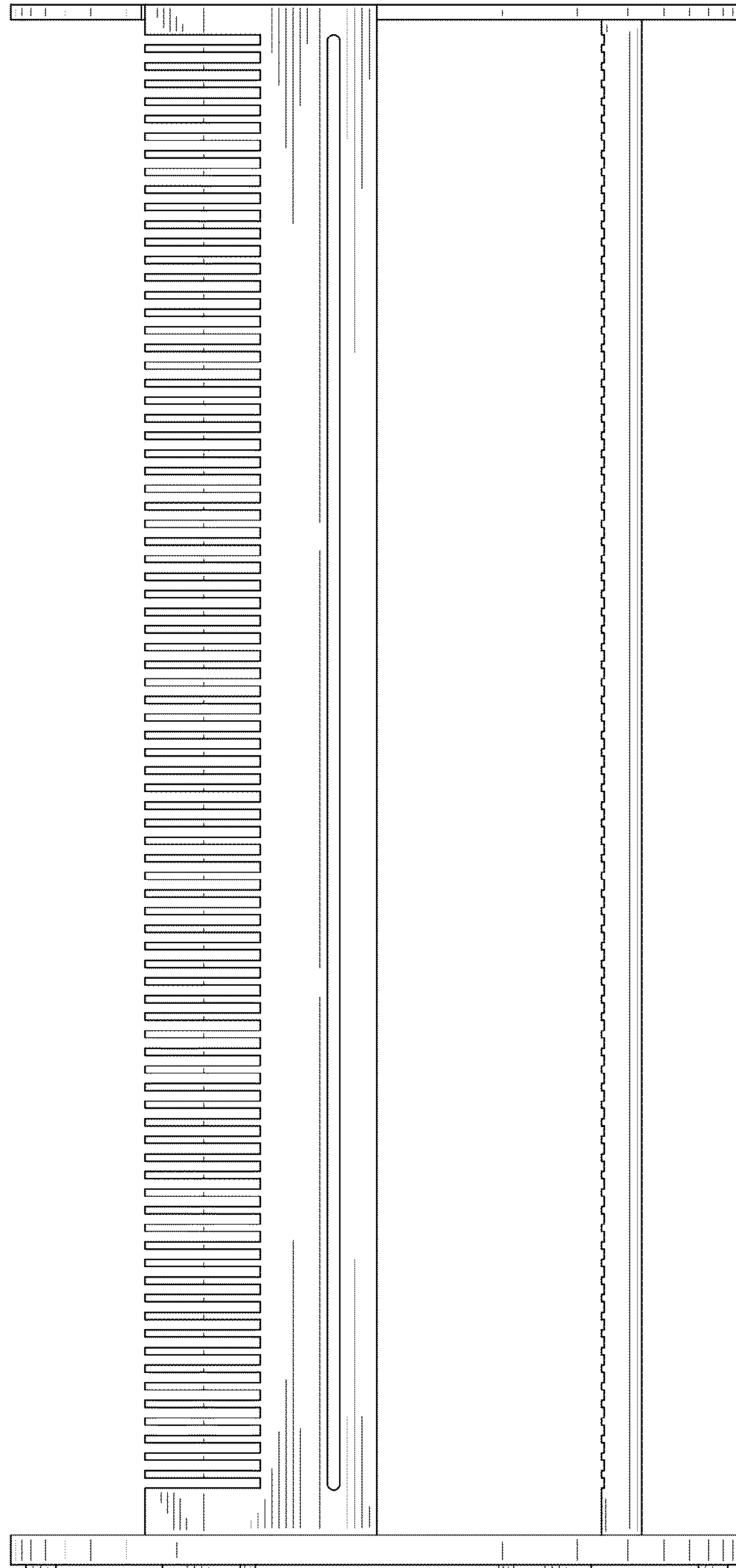


FIG. 5

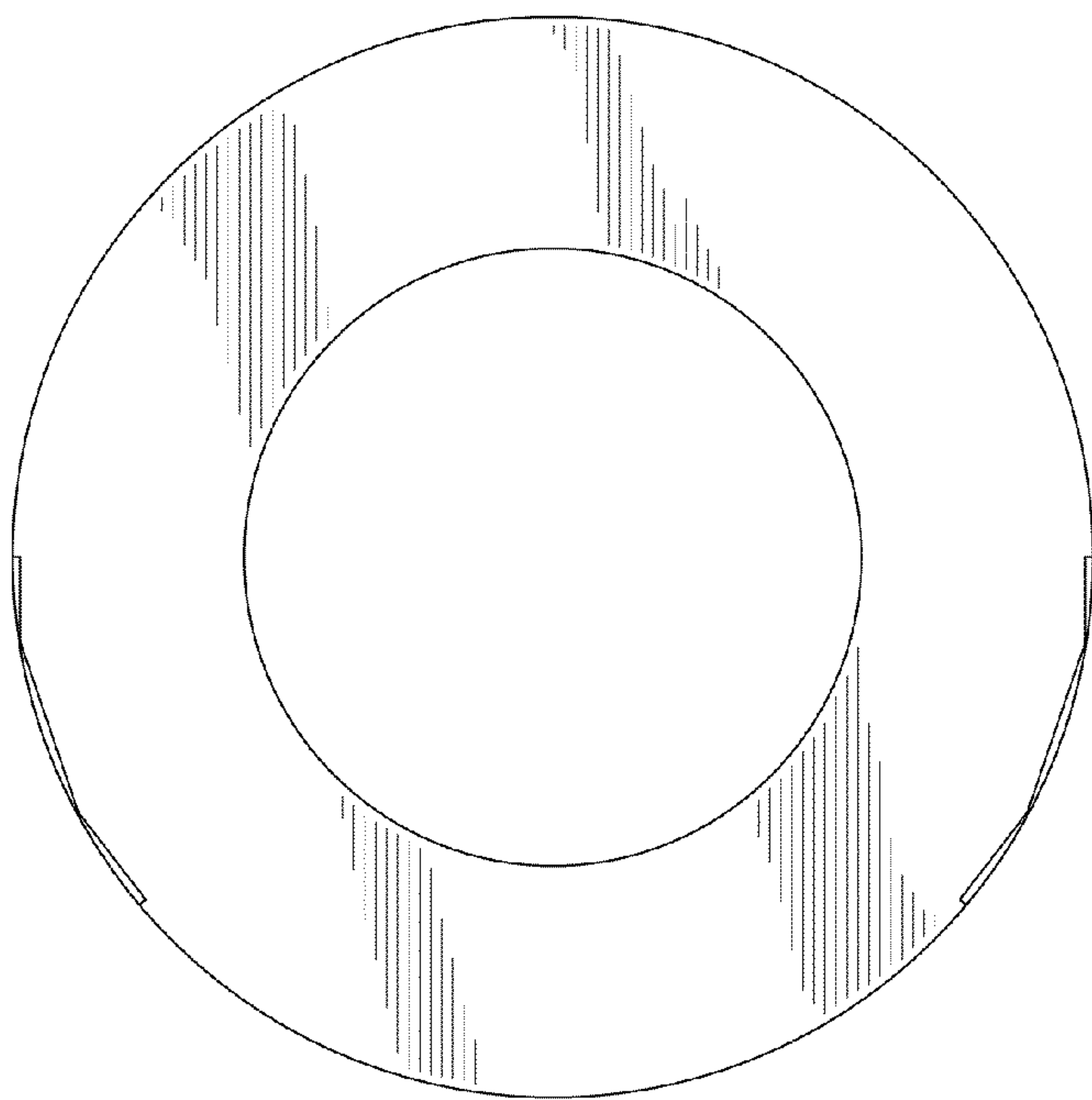


FIG. 6

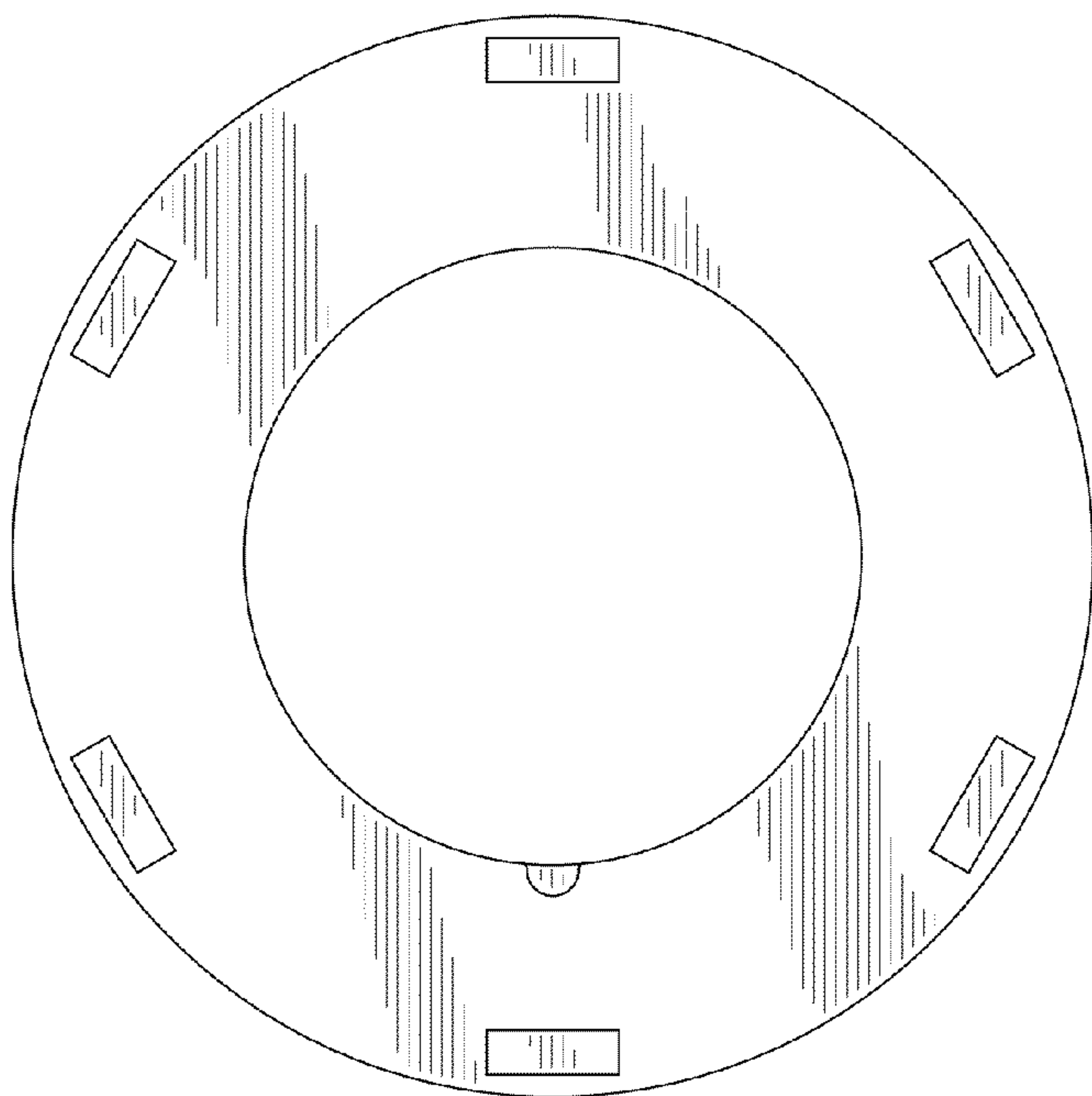


FIG. 7

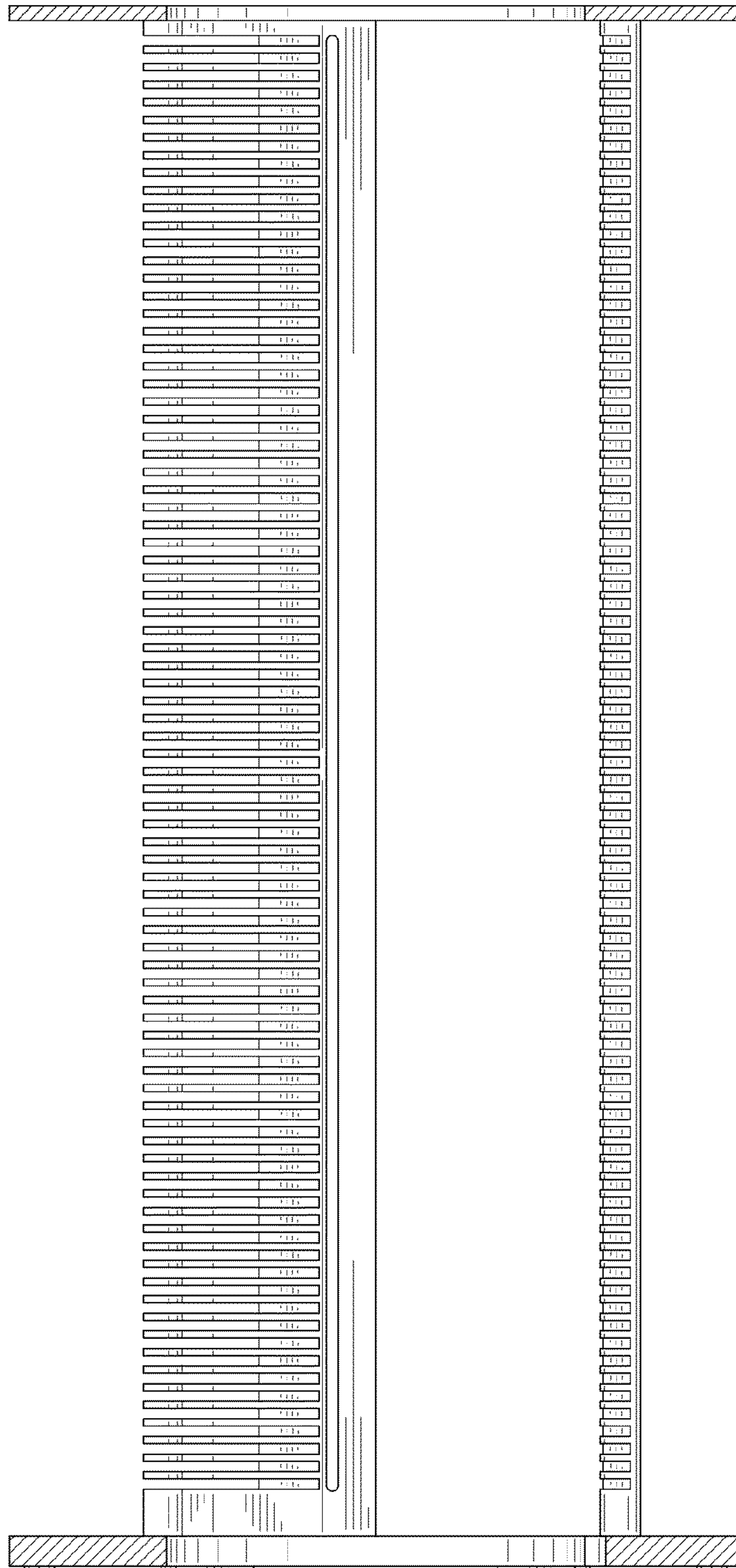


FIG. 8

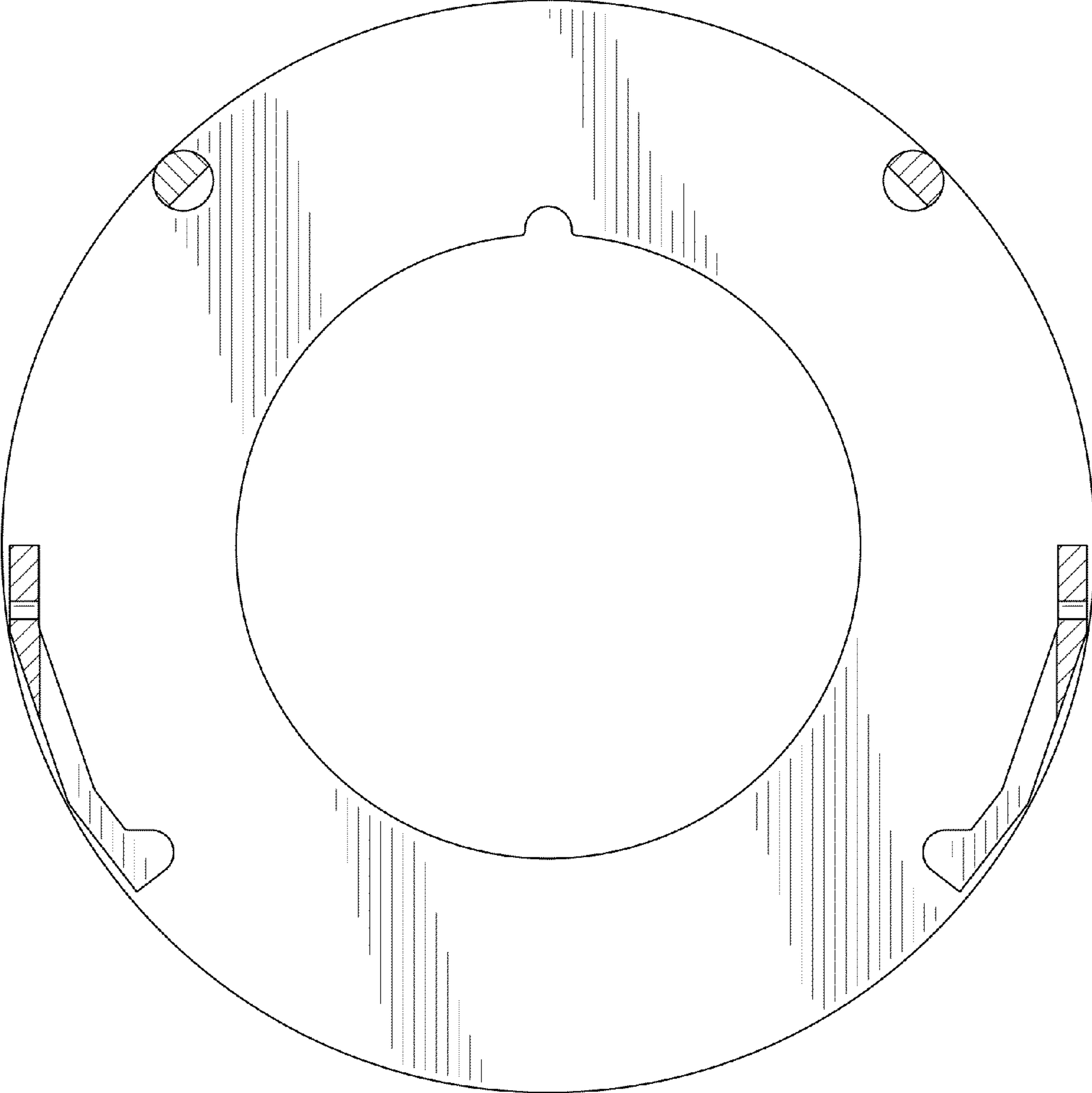


FIG. 9