



US00D747277S

(12) **United States Design Patent**
Katsnelson

(10) **Patent No.:** **US D747,277 S**
(45) **Date of Patent:** **** Jan. 12, 2016**

(54) **MOUNT**

(71) Applicant: **Robert Katsnelson**, Staten Island, NY
(US)

(72) Inventor: **Robert Katsnelson**, Staten Island, NY
(US)

(**) Term: **14 Years**

(21) Appl. No.: **29/503,303**

(22) Filed: **Sep. 25, 2014**

(51) **LOC (10) Cl.** **13-03**

(52) **U.S. Cl.**
USPC **D13/155**

(58) **Field of Classification Search**
USPC D13/155, 133, 139.2, 152, 154, 156,
D13/158, 184, 199; 174/53, 66, 67, 68.1,
174/68.3, 95, 96, 97, 480, 481, 482, 495;
220/3.3, 3.8, 817, 818; 248/201
CPC H02G 3/04; H02G 3/0437; H02G 3/081;
H02G 3/088; H02G 3/18; H02G 3/185

See application file for complete search history.

(56) **References Cited**

U.S. PATENT DOCUMENTS

D329,043	S	*	9/1992	Rogers	D13/155
D364,084	S	*	11/1995	Yaich	D8/356
D401,907	S	*	12/1998	Gazzerro	D13/155
D405,995	S	*	2/1999	Harris	D6/524
D417,135	S	*	11/1999	McMahon	D13/155
6,450,353	B1	*	9/2002	Riedy	H02G 3/185 174/485
D685,332	S	*	7/2013	Garrett et al.	D13/155
2008/0054135	A1	*	3/2008	Galasso	H02G 3/185 248/201

* cited by examiner

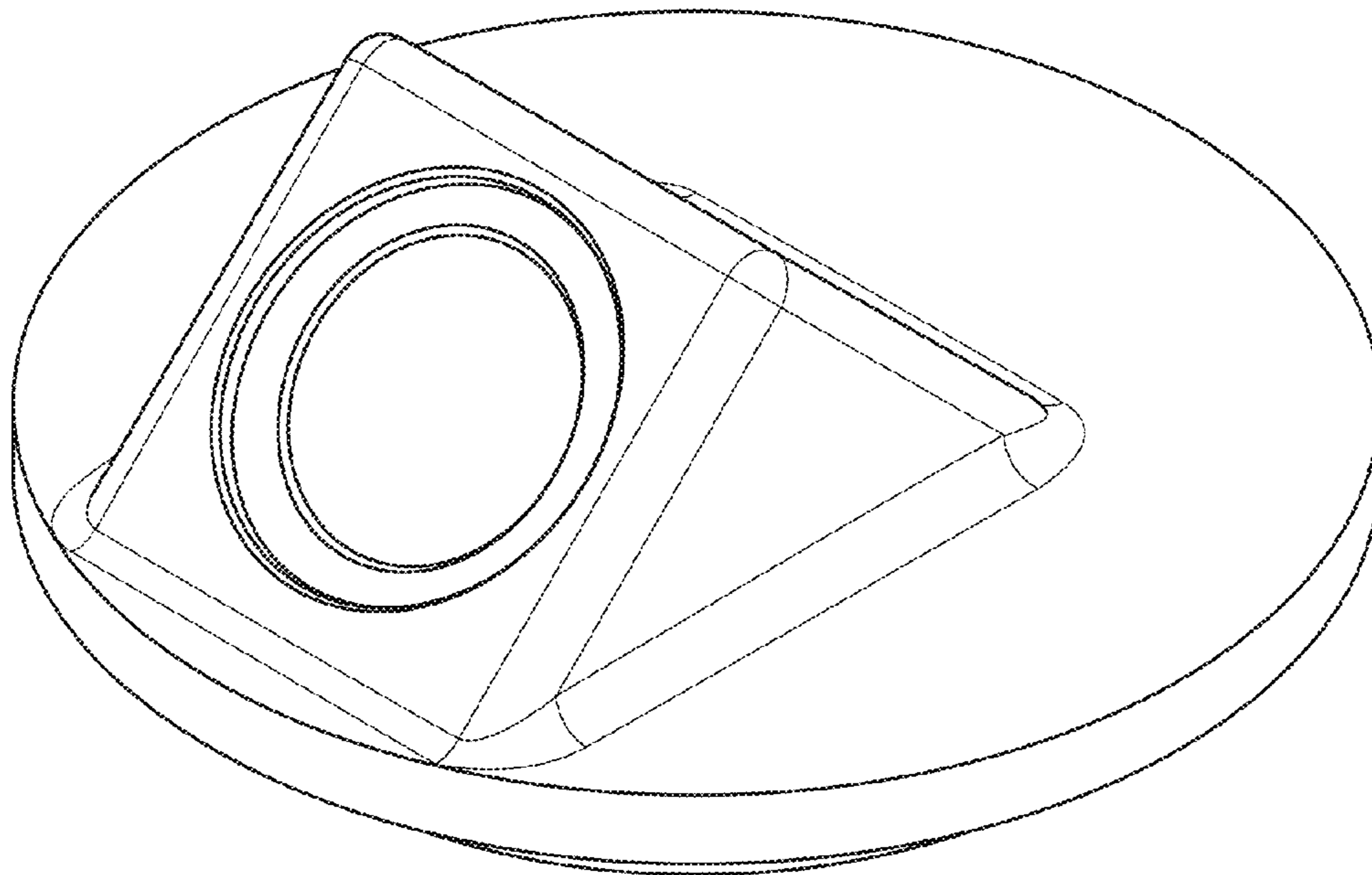
Primary Examiner — Derrick Holland

(57) **CLAIM**
The ornamental design for a mount, as shown and described.

DESCRIPTION

FIG. 1 is a perspective view of a mount showing my new design;
FIG. 2 is a front elevation view thereof;
FIG. 3 is a back elevation view thereof;
FIG. 4 is a right elevation view thereof;
FIG. 5 is a left elevation view thereof;
FIG. 6 is a top plan view thereof; and,
FIG. 7 is a bottom plan view thereof.

1 Claim, 7 Drawing Sheets



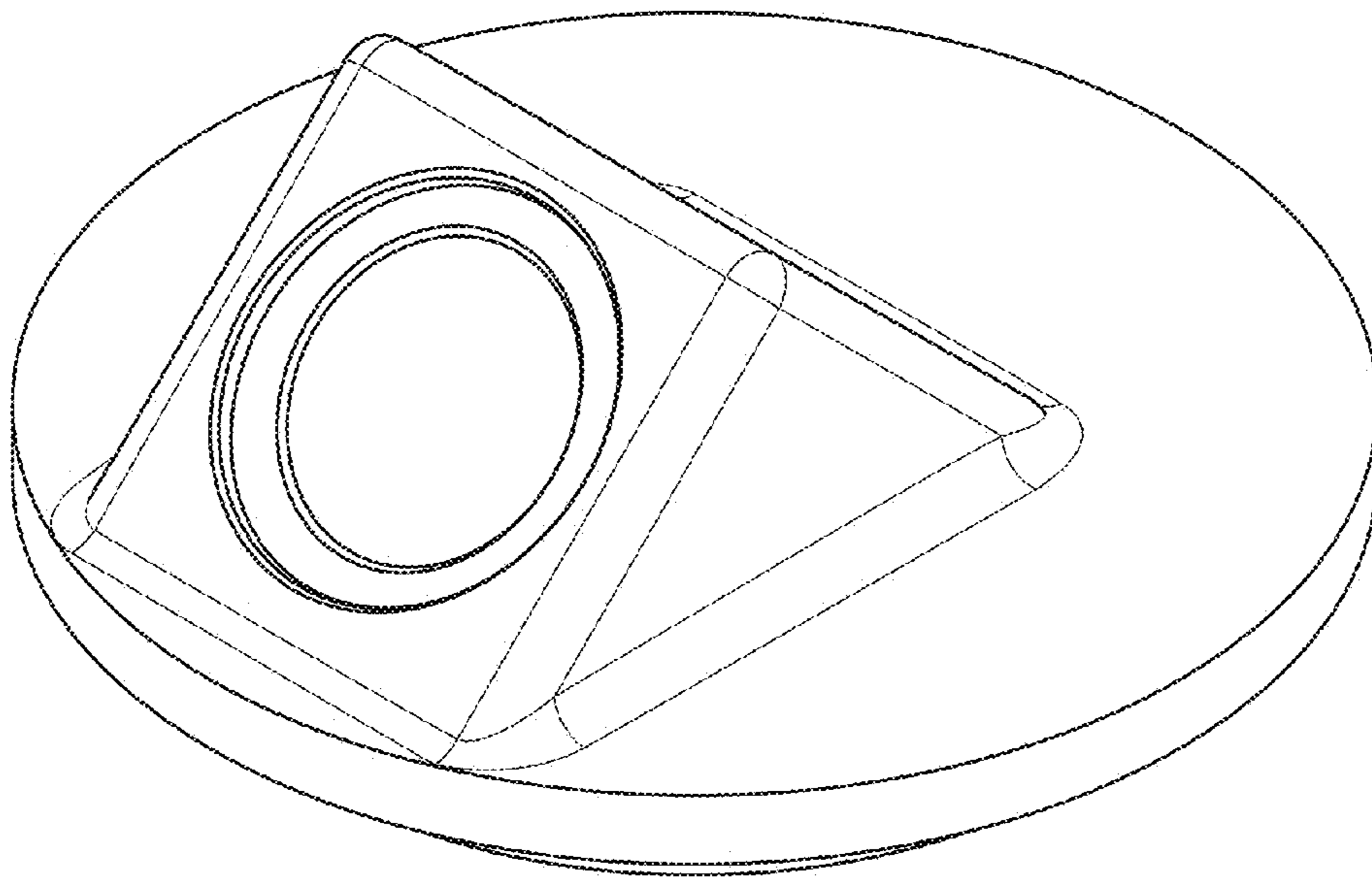


FIG. 1

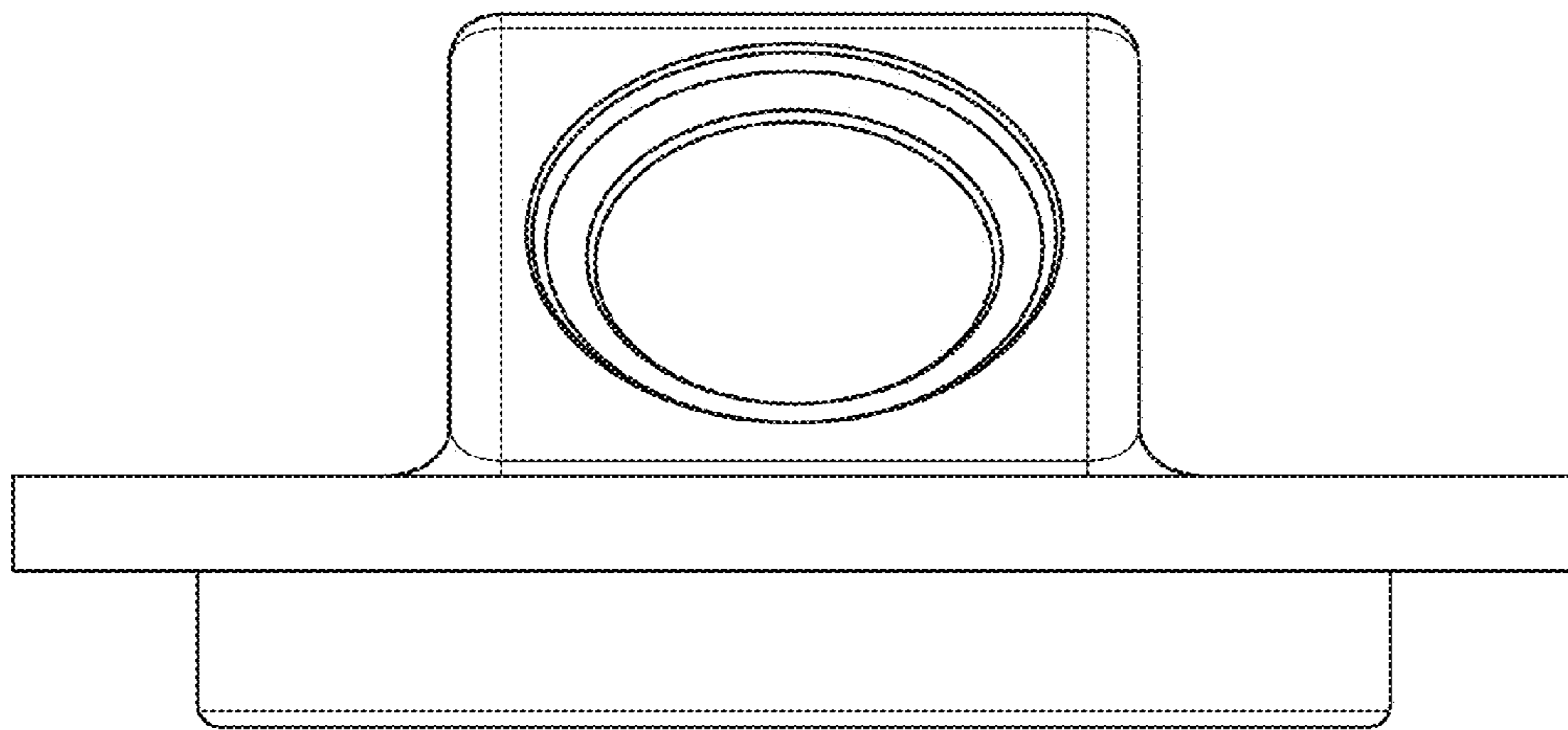


FIG. 2

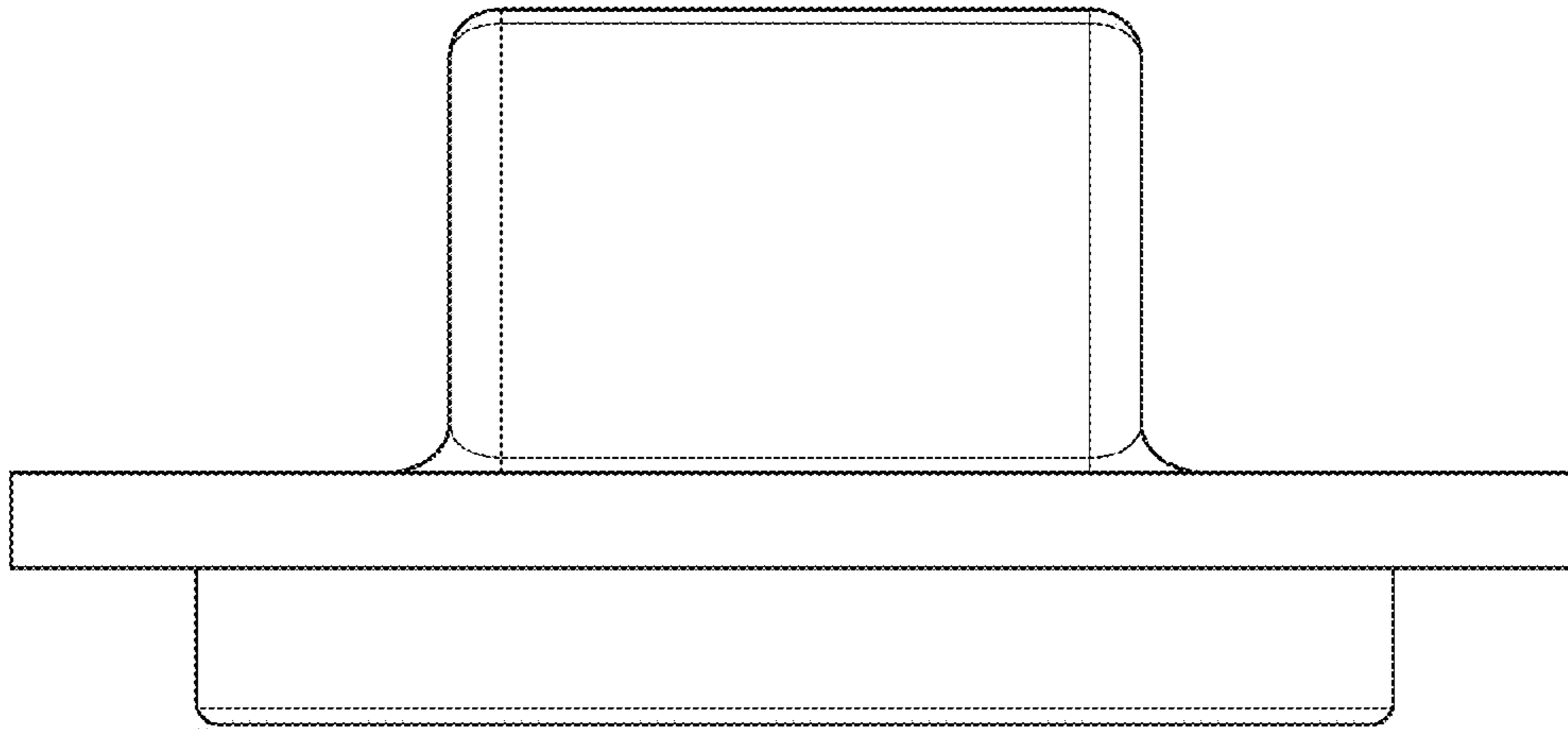


FIG. 3

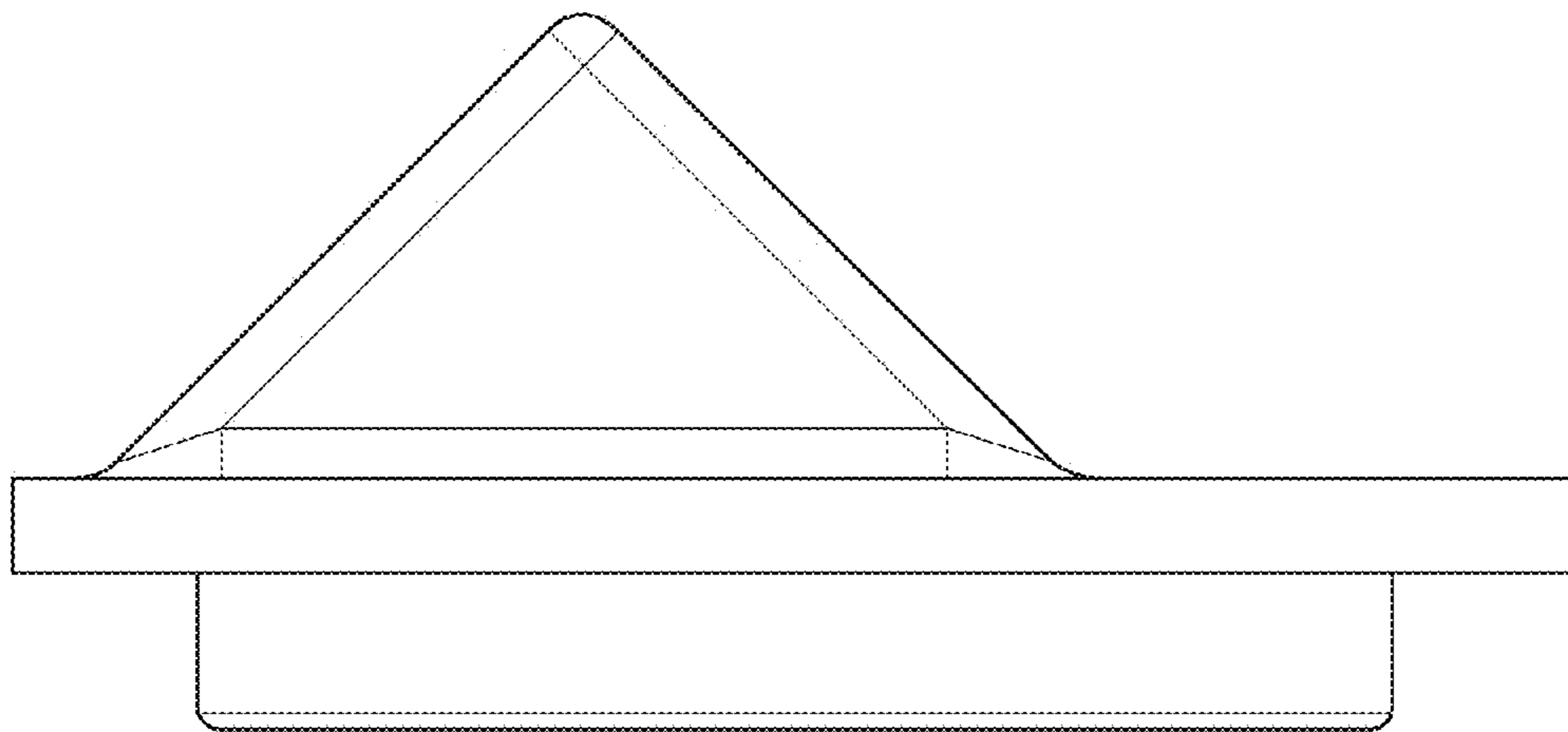


FIG. 4

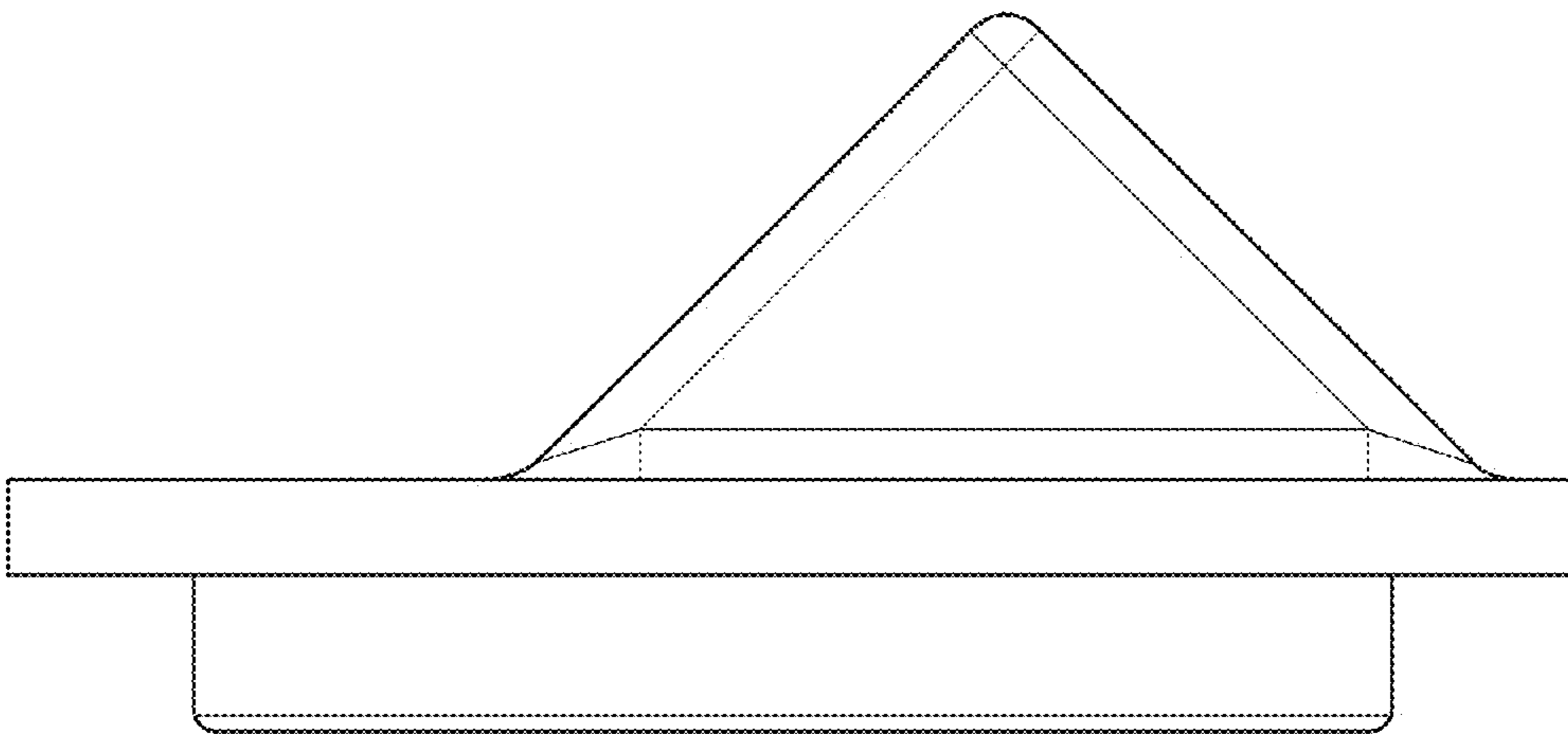


FIG. 5

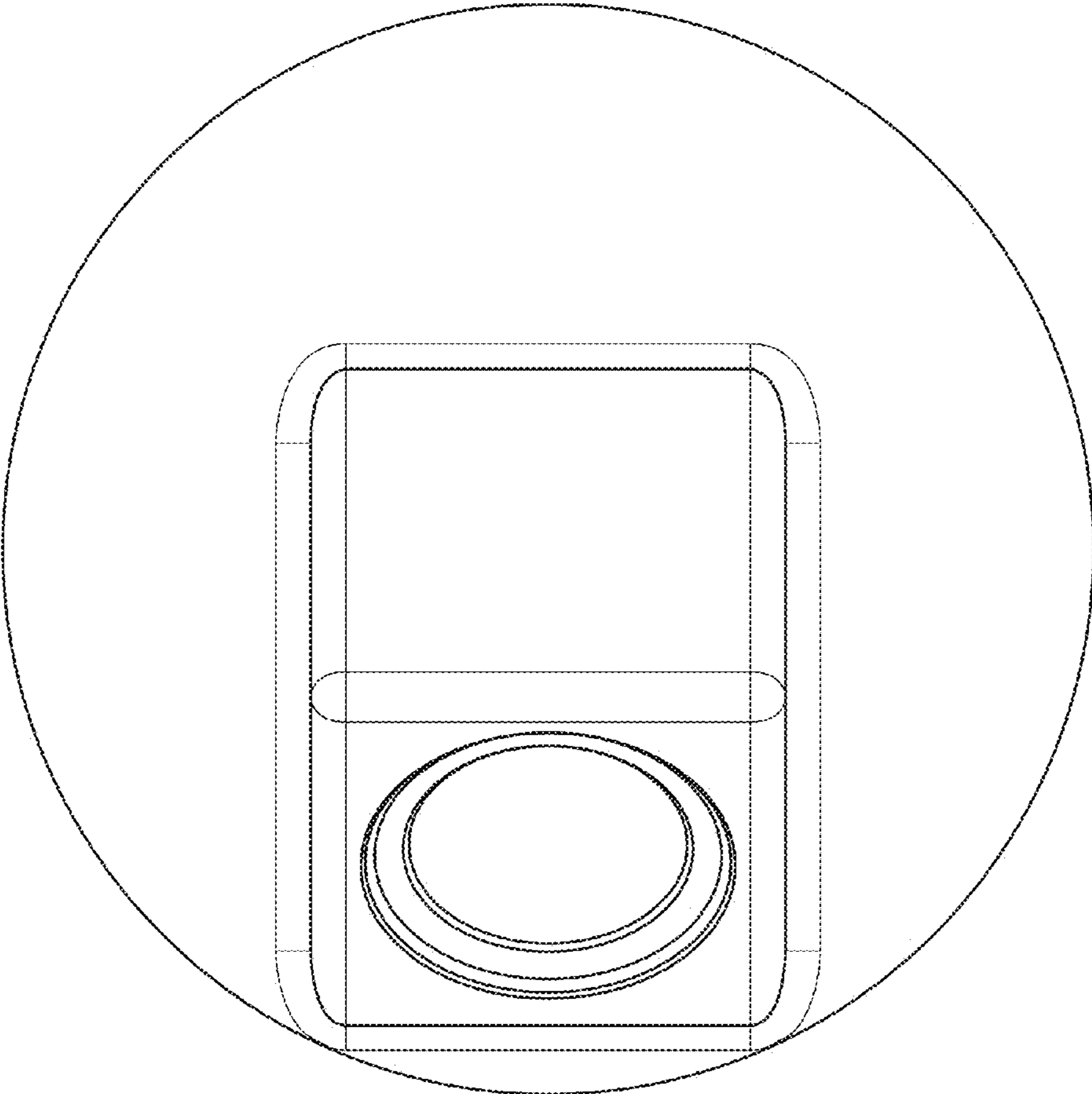


FIG. 6

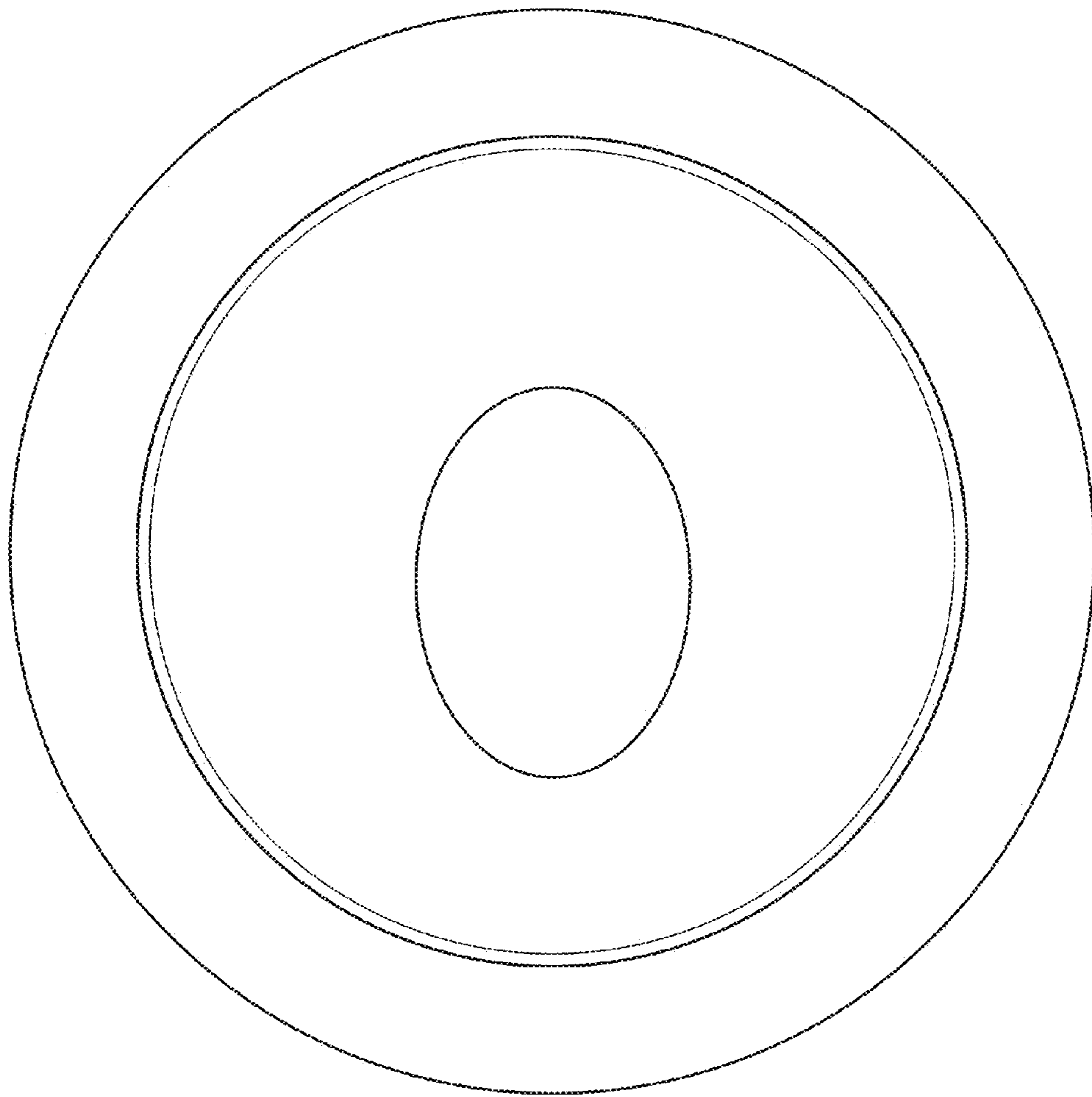


FIG. 7