



US00D747276S

(12) **United States Design Patent**
Rodrigue

(10) **Patent No.:** **US D747,276 S**
(45) **Date of Patent:** **** Jan. 12, 2016**

(54) **DUAL CABLE GUIDE FOR SECURING A CABLE**

(71) Applicant: **Jesse Rodrigue**, Reno, NV (US)

(72) Inventor: **Jesse Rodrigue**, Reno, NV (US)

(73) Assignee: **HAWKEN HOLDINGS, LLC**, Reno, NV (US)

(**) Term: **14 Years**

(21) Appl. No.: **29/491,997**

(22) Filed: **May 27, 2014**

(51) **LOC (10) Cl.** **13-03**

(52) **U.S. Cl.**
USPC **D13/155**

(58) **Field of Classification Search**
USPC D13/155, 153, 154, 156, 157, 184, 199;
D8/349, 354, 356, 394, 396; 174/68.1,
174/68.2, 68.3; 248/49, 53, 60; 361/827;
385/134, 135; 439/207, 210, 446, 445,
439/447
CPC .. G02B 6/4452; G02B 6/4459; G02B 6/4478;
G02B 6/3608; H02G 3/045; H02G 3/0456;
H02G 9/06; H02G 3/0487; H02G 3/26;
H02G 5/06; B29C 47/0028
See application file for complete search history.

(56) **References Cited**

U.S. PATENT DOCUMENTS

2,417,269	A *	3/1947	Robertson	248/61
2,858,093	A *	10/1958	Knoll	248/49
3,322,381	A *	5/1967	Bubb	248/121
3,893,647	A	7/1975	Kennedy		
4,024,604	A	5/1977	Klimek et al.		
D244,612	S *	6/1977	Burns	D13/156
4,064,601	A	12/1977	Miyagishima		
4,244,542	A *	1/1981	Mathews	248/49
4,367,571	A	1/1983	Speirs et al.		
D270,329	S *	8/1983	Hardy	D8/395
D289,732	S *	5/1987	Jason	D8/356

D296,777	S *	7/1988	Cornell	D13/149
D305,297	S *	1/1990	O'Neill	D9/434
5,079,802	A	1/1992	Blase et al.		
5,316,247	A *	5/1994	Wodka	248/73
5,423,501	A	6/1995	Yu		
5,474,268	A	12/1995	Yu		
D366,606	S *	1/1996	Nakamura	D8/356
D406,749	S *	3/1999	Selk	D8/356
6,330,989	B1	12/2001	Okamoto		
6,354,545	B1	3/2002	Liao		
D464,559	S	10/2002	Bjorklund		
D526,278	S *	8/2006	Heary, Sr.	D13/154
D540,153	S *	4/2007	Tanaka et al.	D8/354
D577,988	S *	10/2008	Wrase et al.	D8/354

(Continued)

Primary Examiner — Derrick Holland

Assistant Examiner — Jennifer O King

(74) *Attorney, Agent, or Firm* — Kerr IP Group, LLC;
Michael A. Kerr

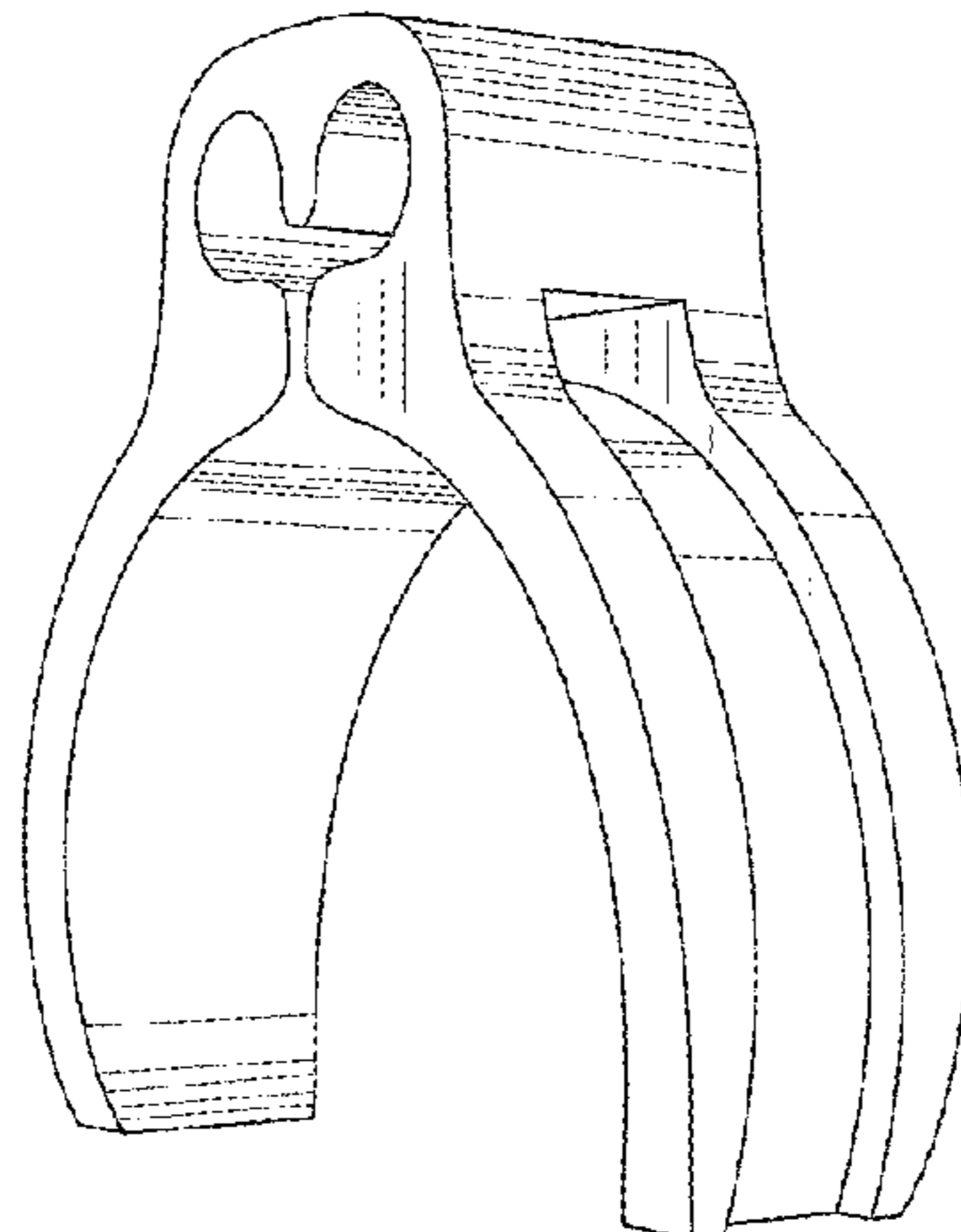
(57) **CLAIM**

I claim the ornamental design for a dual cable guide for securing a cable, as shown and described.

DESCRIPTION

FIG. 1 is an isometric view of a dual cable guide for securing a cable, showing my new design;
 FIG. 2 is a front elevation view thereof;
 FIG. 3 is a right elevation view (at 90° from the front view) thereof;
 FIG. 4 is a bottom plan view thereof;
 FIG. 5 is an isometric view thereof, shown in environmental use;
 FIG. 6 is a front elevation view thereof, shown in environmental use;
 FIG. 7 is a right elevation view (at 90° from the front view) thereof, shown in environmental use; and,
 FIG. 8 is a bottom plan view thereof, shown in environmental use.
 The broken lines shown represent unclaimed subject matter and form no part of the claimed design.

1 Claim, 2 Drawing Sheets



(56)

References Cited

U.S. PATENT DOCUMENTS

D581,255 S * 11/2008 Calvin D8/356
D597,963 S * 8/2009 Mulch et al. D13/155
D607,828 S 1/2010 Shaw

D644,159 S 8/2011 Marcum
D682,222 S 5/2013 Crucitti
D702,529 S * 4/2014 Diez Herrera D8/349
2007/0072477 A1 3/2007 Dieck et al.
2009/0242064 A1* 10/2009 Lai 138/117

* cited by examiner

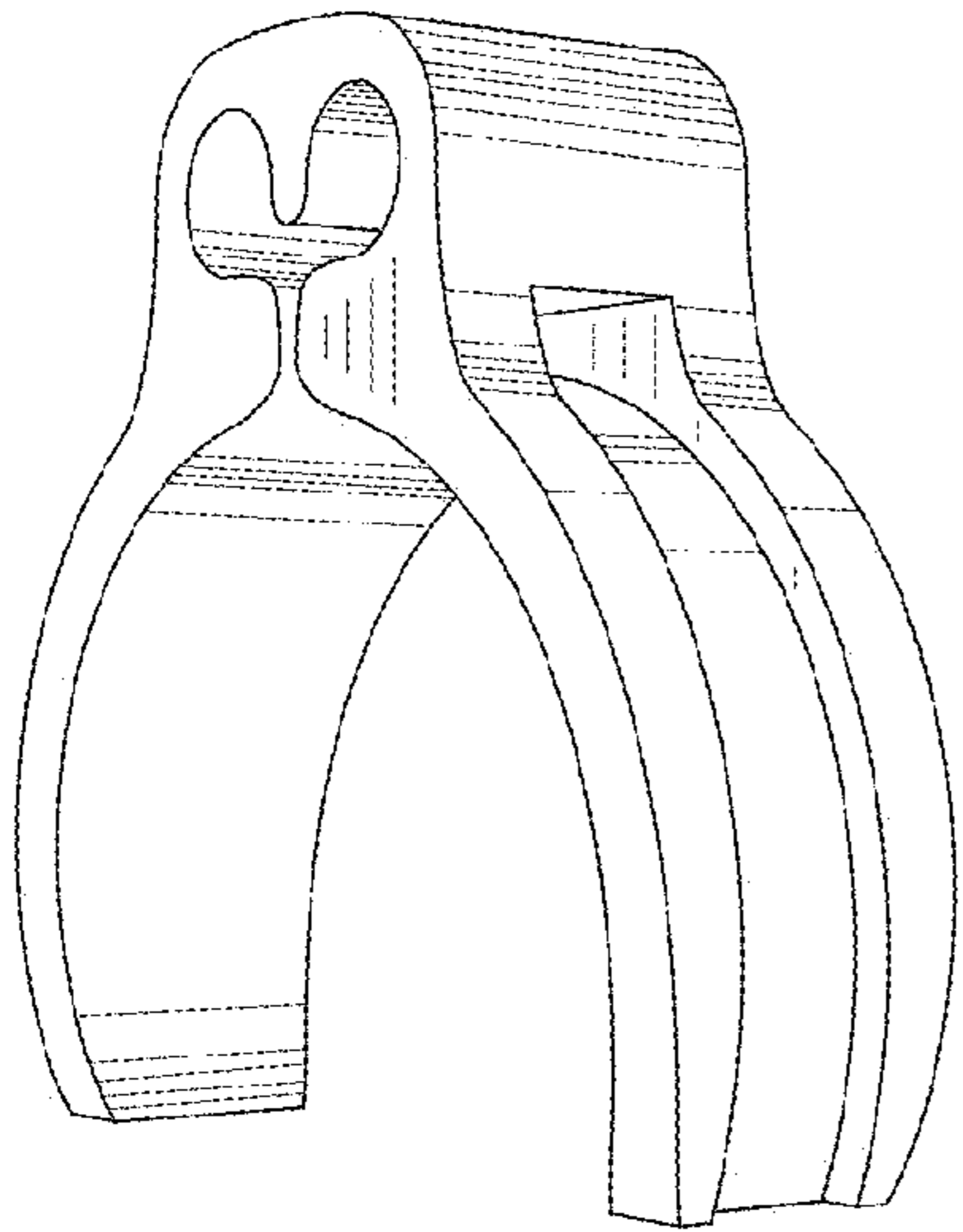


FIG. 1

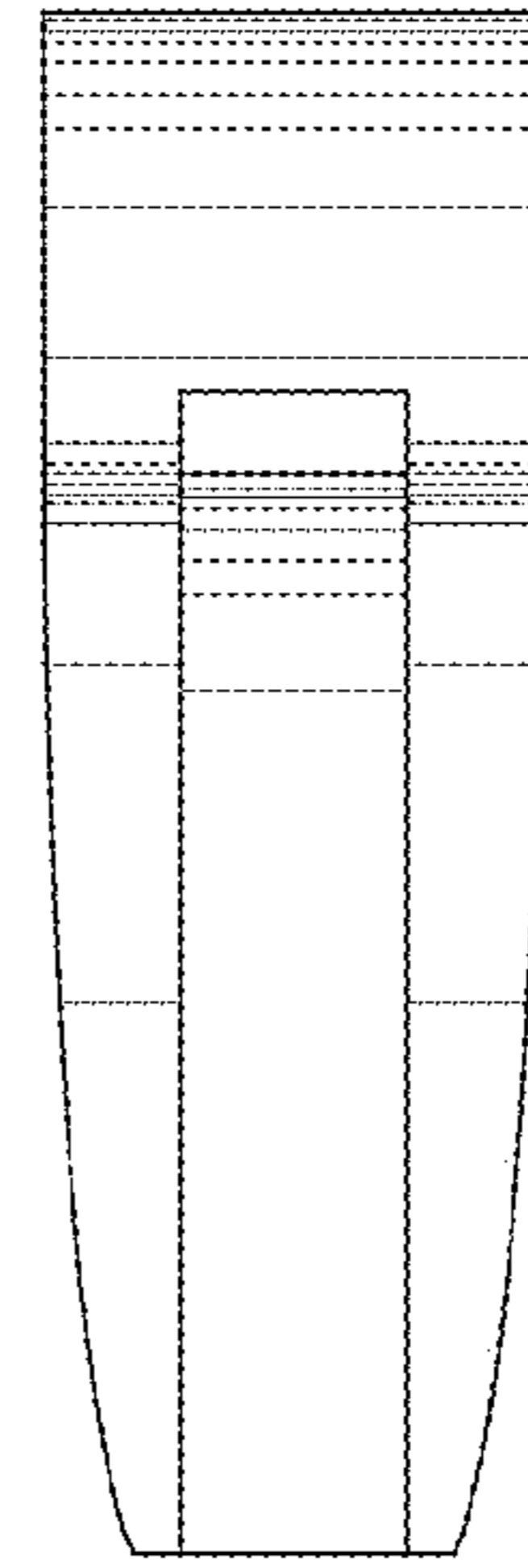


FIG. 3

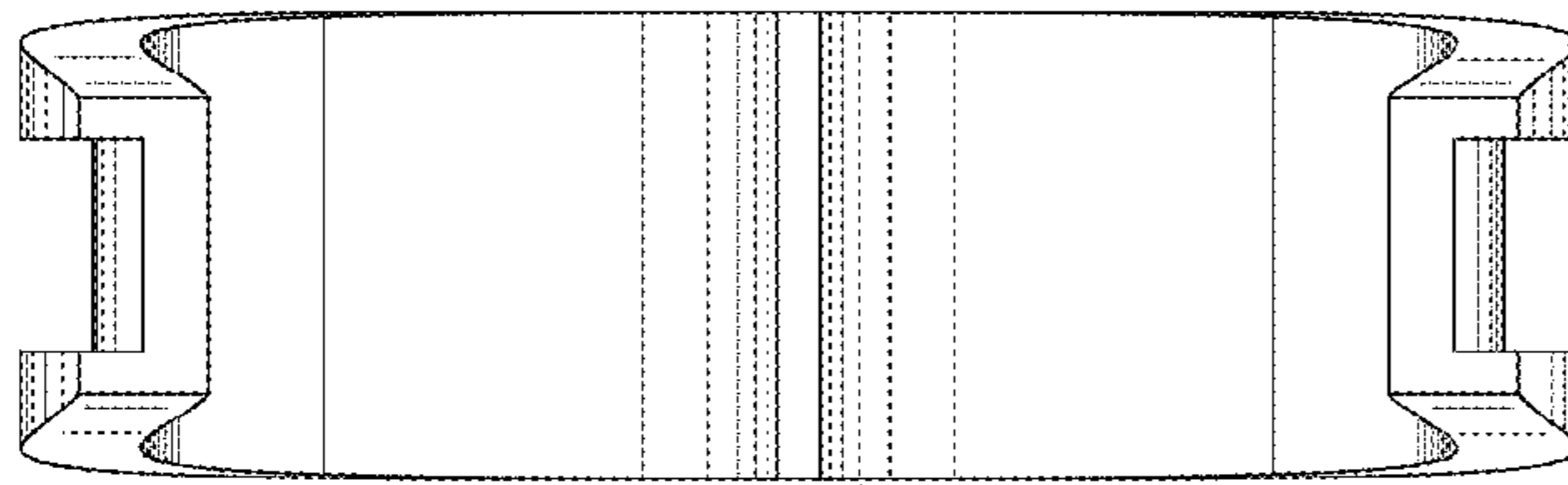


FIG. 4

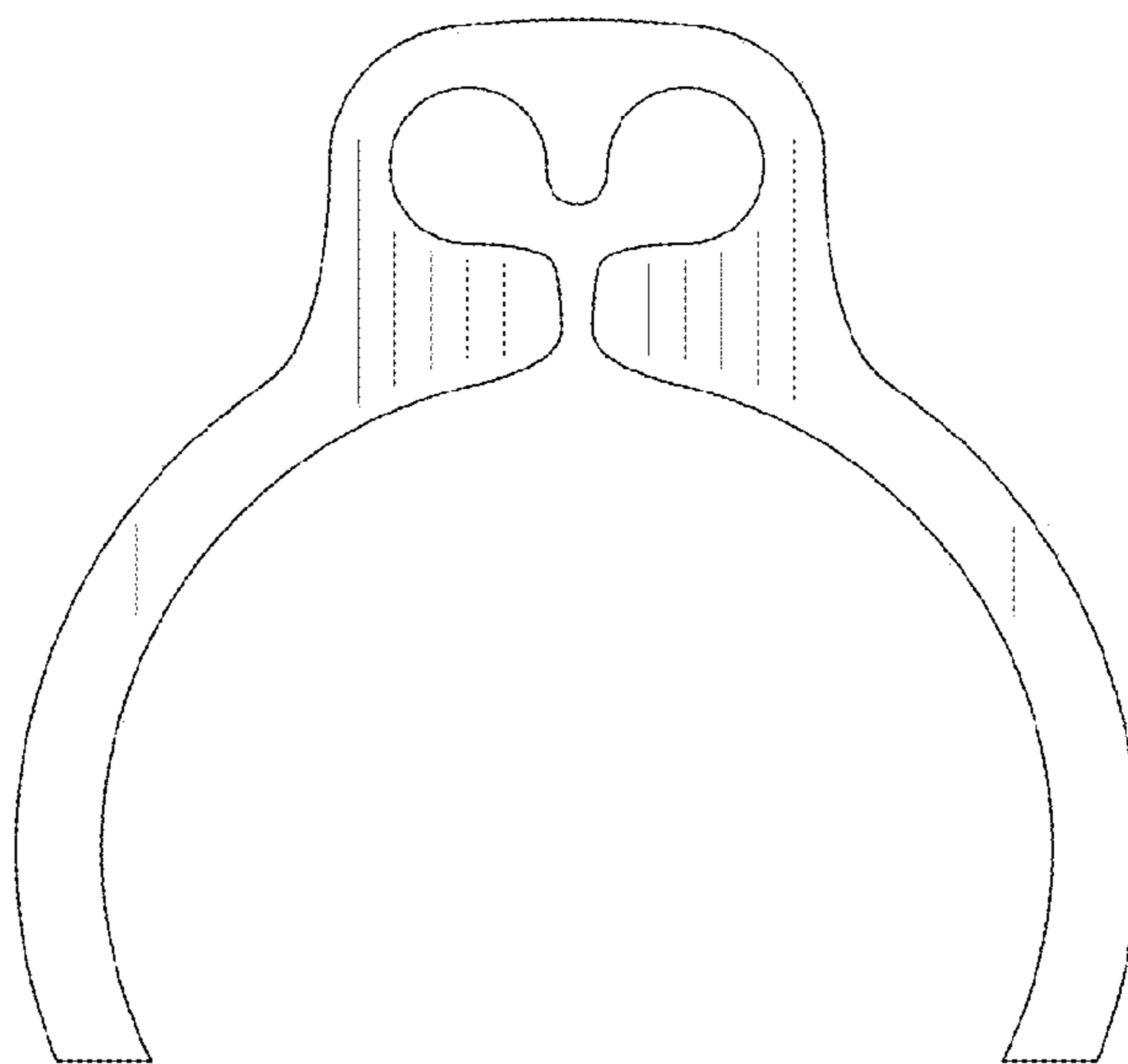


FIG. 2

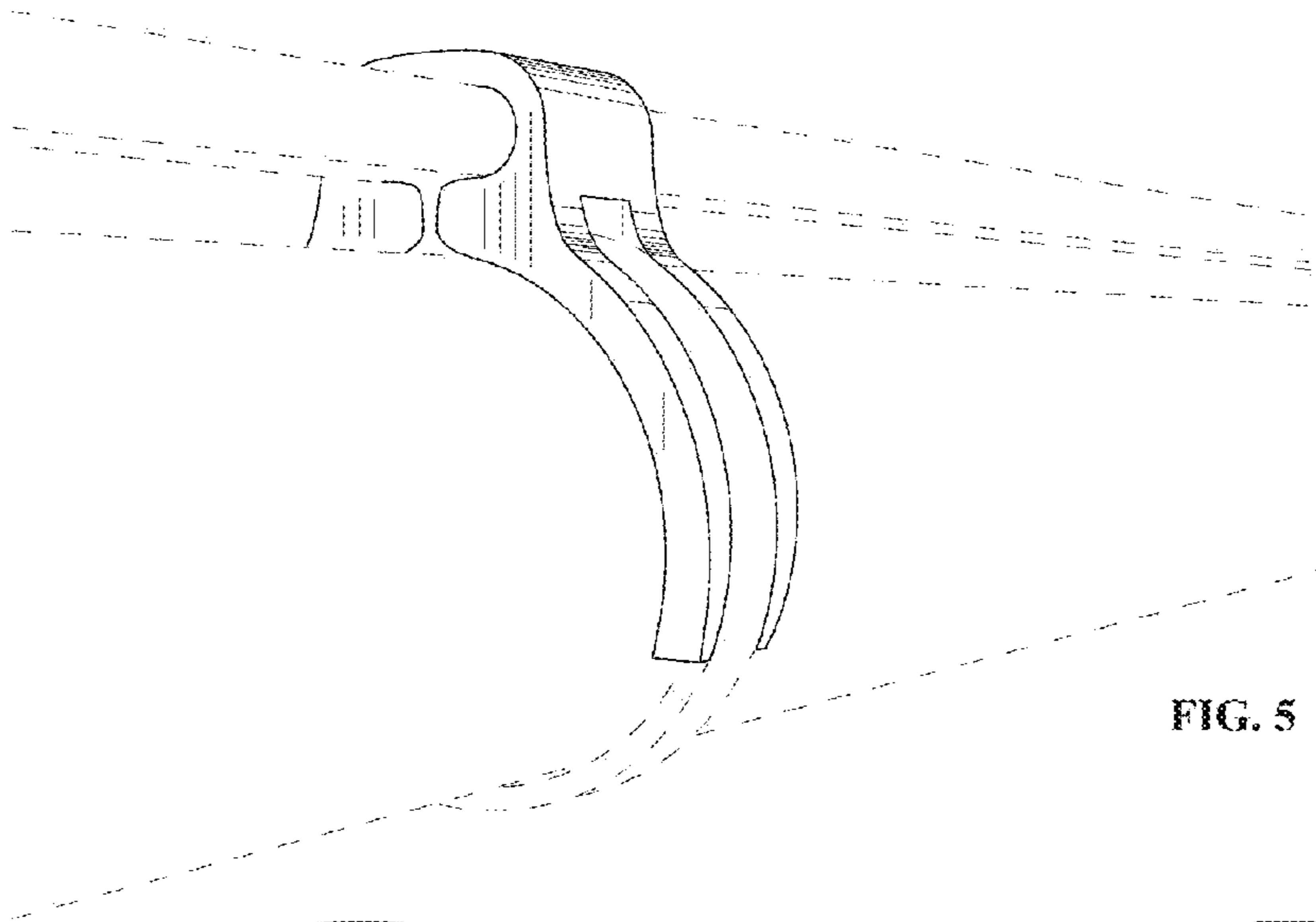


FIG. 5

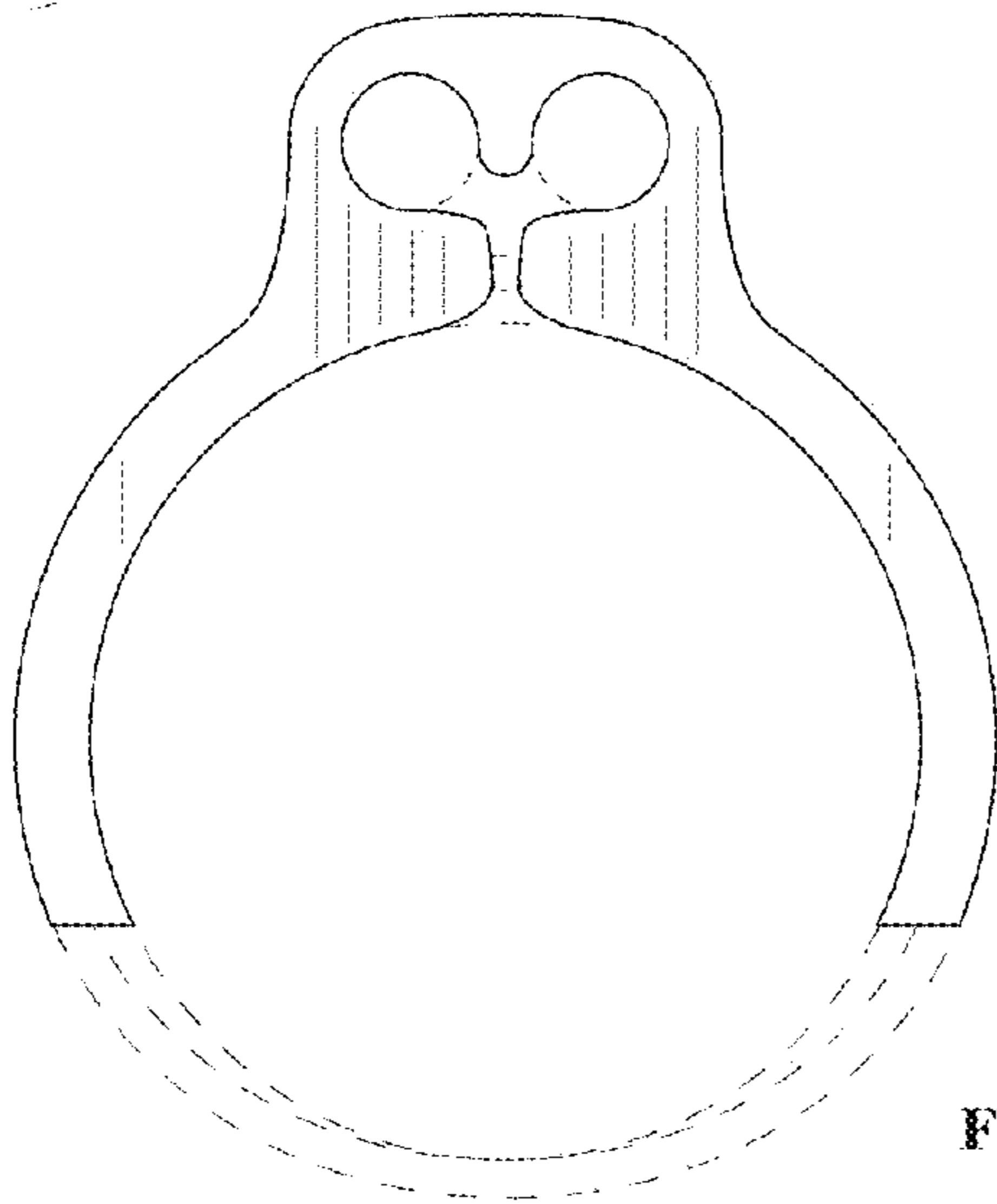


FIG. 6

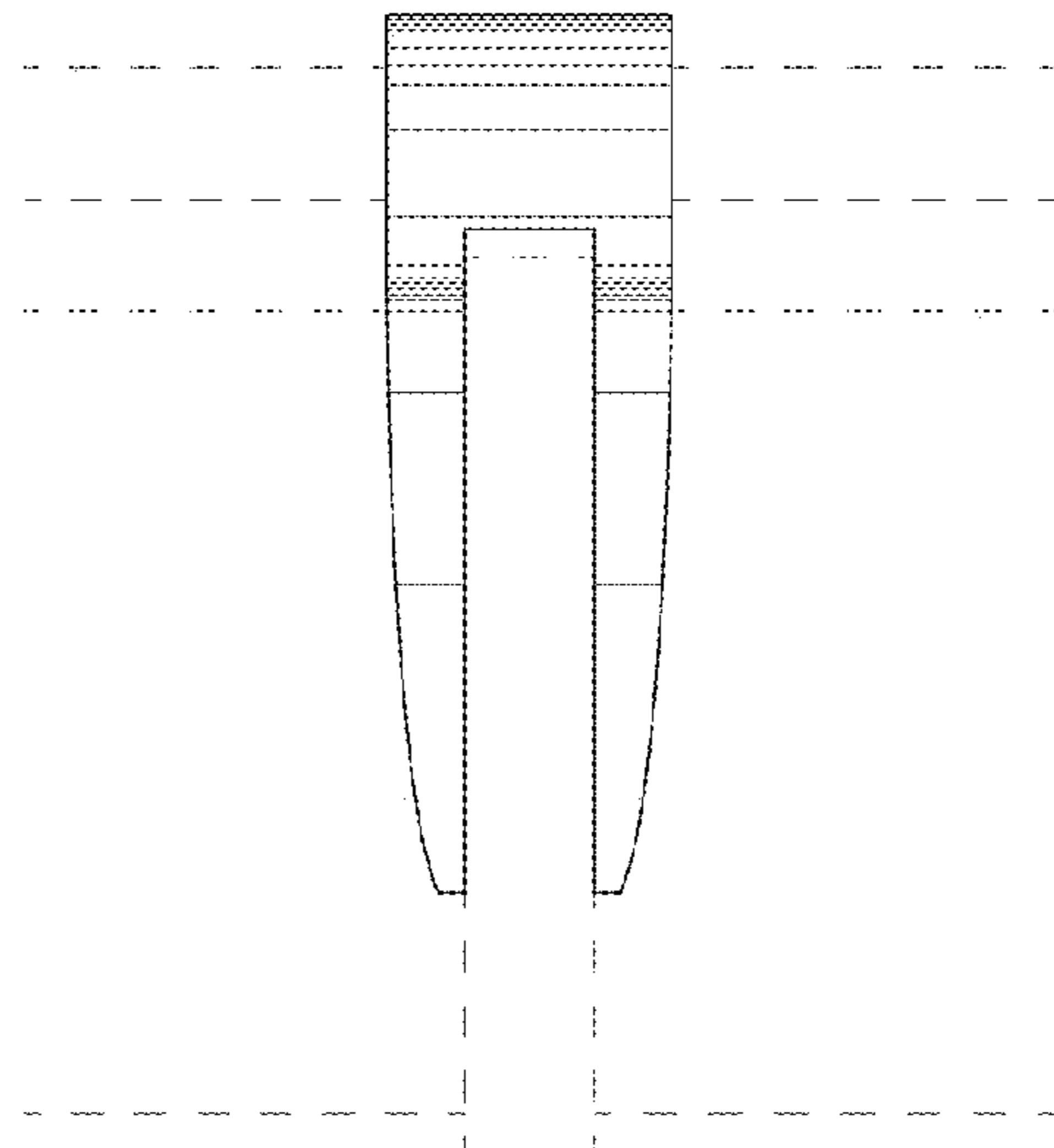


FIG. 7



FIG. 8