

US00D747275S

(12) **United States Design Patent**  
**Rodrigue**

(10) **Patent No.:** **US D747,275 S**  
(45) **Date of Patent:** **\*\* Jan. 12, 2016**

- (54) **SINGLE CABLE GUIDE FOR SECURING A CABLE**
- (71) Applicant: **Jesse Rodrigue**, Reno, NV (US)
- (72) Inventor: **Jesse Rodrigue**, Reno, NV (US)
- (73) Assignee: **HAWKEN HOLDINGS, LLC**, Reno, NV (US)
- (\*\*) Term: **14 Years**
- (21) Appl. No.: **29/491,996**
- (22) Filed: **May 27, 2014**
- (51) **LOC (10) Cl.** ..... **13-03**
- (52) **U.S. Cl.**  
USPC ..... **D13/155**
- (58) **Field of Classification Search**  
USPC ..... D13/155, 153, 154, 156, 157, 184, 199;  
D8/349, 354, 356, 394, 396; 174/68.1,  
174/68.2, 68.3; 248/49, 53, 60; 361/827;  
385/134, 135; 439/207, 210, 446, 445,  
439/447  
CPC .. G02B 6/4452; G02B 6/4459; G02B 6/4478;  
G02B 6/3608; H02G 3/045; H02G 3/0456;  
H02G 3/0487; H02G 3/26; H02G 9/06;  
H02G 5/06; B29C 47/0028  
See application file for complete search history.

(56) **References Cited**

U.S. PATENT DOCUMENTS

1,308,869	A *	7/1919	Rohmer	248/69
2,417,269	A *	3/1947	Robertson	248/61
2,470,811	A *	5/1949	Engleman	40/658
3,322,381	A *	5/1967	Bubb	248/121
3,893,647	A	7/1975	Kennedy	
4,002,349	A *	1/1977	Dopp	280/814
4,024,604	A	5/1977	Klimek et al.	
D244,612	S *	6/1977	Burns	D13/156
4,064,601	A	12/1977	Miyagishima	
4,244,542	A *	1/1981	Mathews	248/49
D263,698	S *	4/1982	Loof et al.	D13/157

4,367,571	A	1/1983	Speirs et al.	
D269,155	S *	5/1983	Rose	D8/356
D270,329	S *	8/1983	Hardy	D8/395
D305,297	S *	1/1990	O'Neill	D9/434
5,079,802	A	1/1992	Blase et al.	
5,423,501	A	6/1995	Yu	
5,474,268	A	12/1995	Yu	
D366,606	S *	1/1996	Nakamura	D8/356
D382,794	S *	8/1997	Karlsen	D8/356
5,661,841	A *	8/1997	Van Noten	385/135
D383,050	S *	9/1997	Palmer	D8/354
D387,652	S *	12/1997	Carlson, Jr.	D8/356
6,145,793	A *	11/2000	Kroulik et al.	248/74.1
6,330,989	B1	12/2001	Okamoto	

(Continued)

*Primary Examiner* — Derrick Holland

*Assistant Examiner* — Jennifer O King

(74) *Attorney, Agent, or Firm* — Michael A. Kerr; Kerr IP Group, LLC

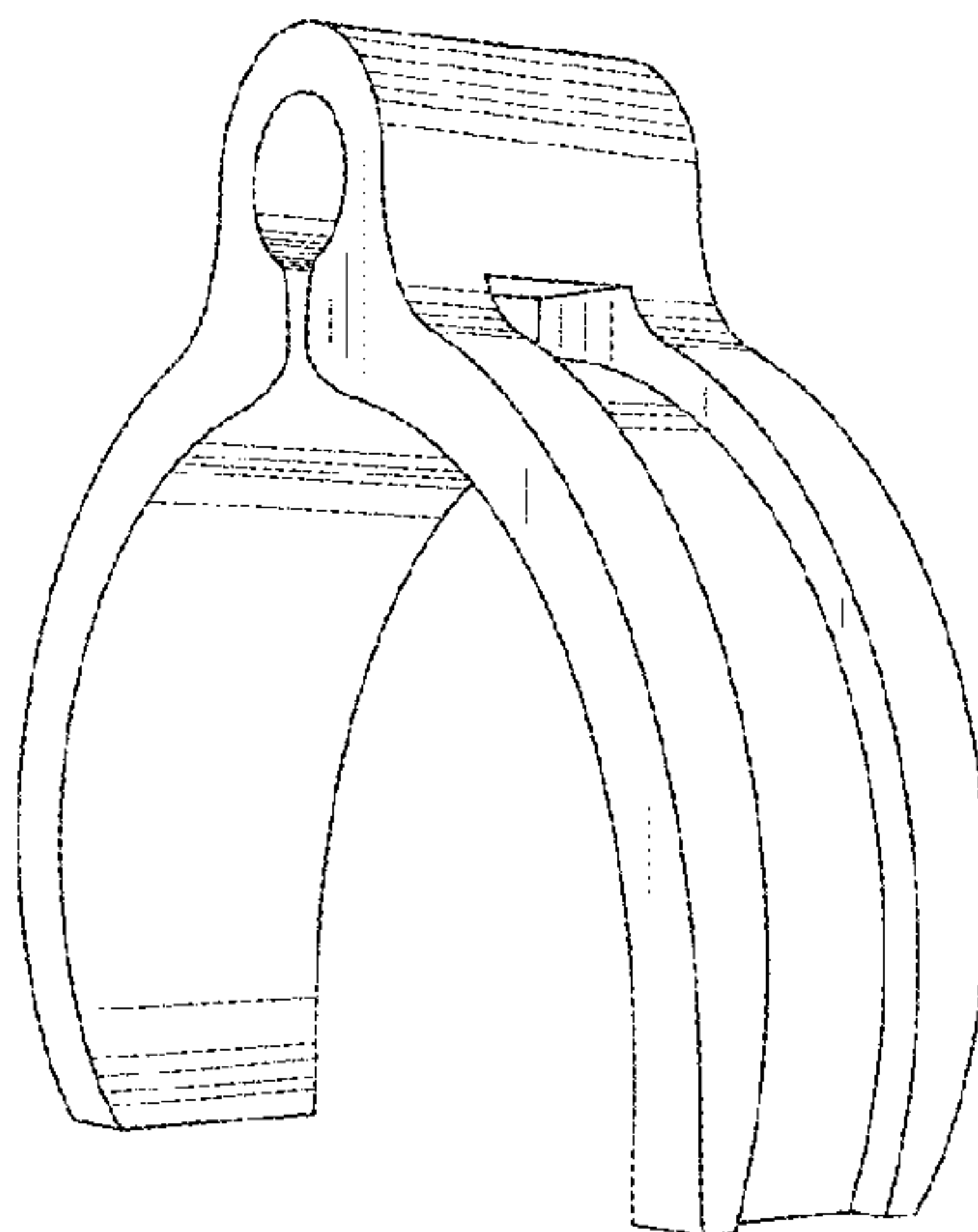
(57) **CLAIM**

I claim the ornamental design for a single cable guide for securing a cable, as shown and described.

**DESCRIPTION**

FIG. 1 is an isometric view of a single cable guide for securing a cable, showing my new design;  
 FIG. 2 is a front elevation view thereof;  
 FIG. 3 is a right elevation view (at 90° from the front view) thereof;  
 FIG. 4 is a bottom plan view thereof;  
 FIG. 5 is a isometric view thereof, shown in environmental use;  
 FIG. 6 is a front elevation view thereof, shown in environmental use;  
 FIG. 7 is a right elevation view (at 90° from the front view) thereof, shown in environmental use; and,  
 FIG. 8 is a bottom plan view thereof, shown in environmental use.  
 The broken lines shown represent unclaimed subject matter and form no part of the claimed design.

**1 Claim, 2 Drawing Sheets**



(56)

**References Cited**

U.S. PATENT DOCUMENTS

6,354,545 B1 3/2002 Liao  
D464,559 S 10/2002 Bjorklund  
D483,654 S \* 12/2003 Taylor ..... D8/356  
D540,153 S \* 4/2007 Tanaka et al. .... D8/354  
D577,988 S \* 10/2008 Wrase et al. .... D8/354  
D597,963 S \* 8/2009 Mulch et al. .... D13/155  
D607,828 S 1/2010 Shaw

D621,693 S \* 8/2010 Dong ..... D8/356  
D644,159 S 8/2011 Marcum  
D652,288 S \* 1/2012 Mercier ..... D8/396  
D682,222 S 5/2013 Crucitti  
D702,529 S \* 4/2014 Diez Herrera ..... D8/349  
D723,363 S \* 3/2015 Symons ..... D8/396  
2003/0234116 A1 \* 12/2003 Uchida et al. .... 174/68.1  
2007/0072477 A1 3/2007 Dieck et al.  
2009/0242064 A1 \* 10/2009 Lai ..... 138/117

\* cited by examiner

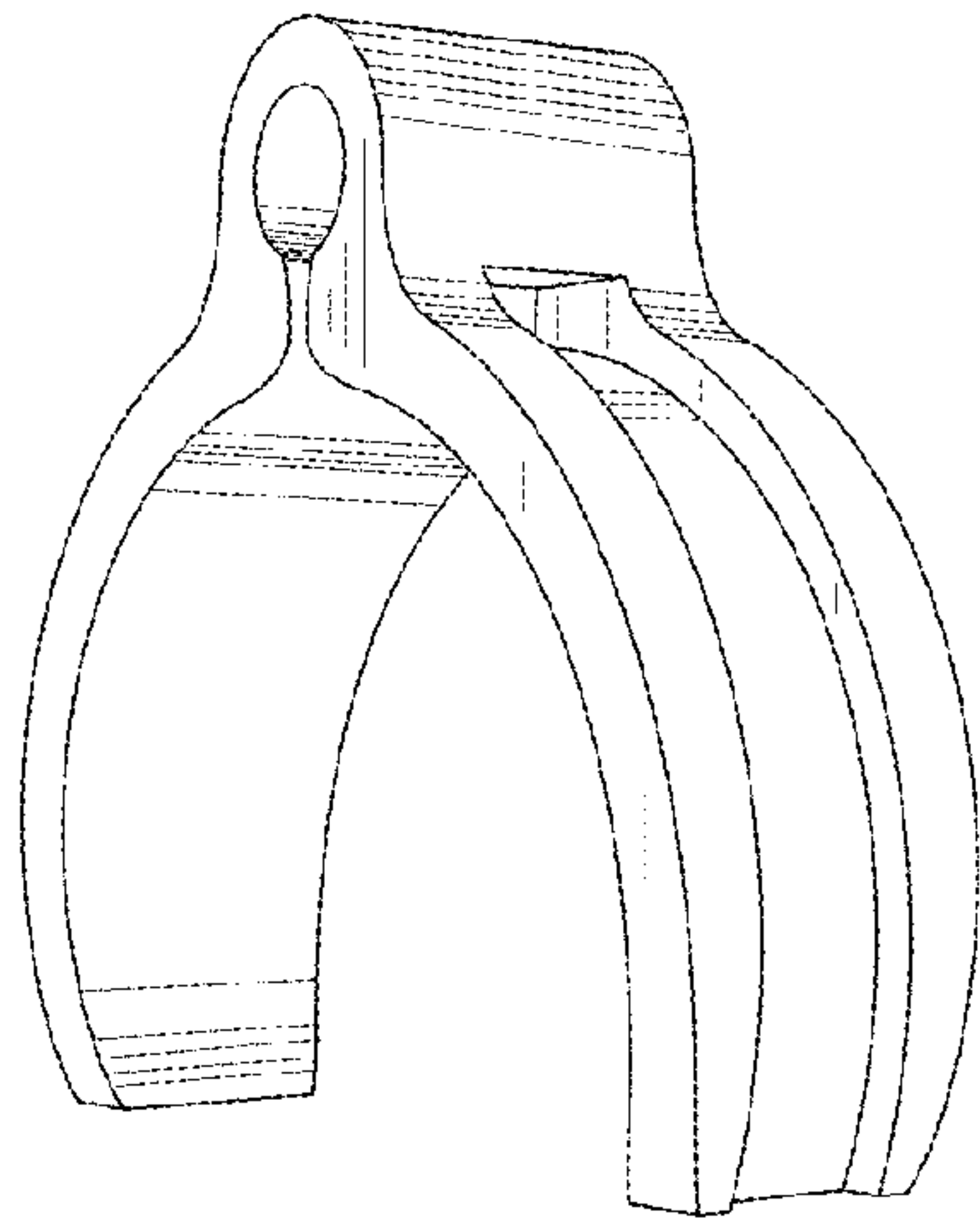


FIG. 1

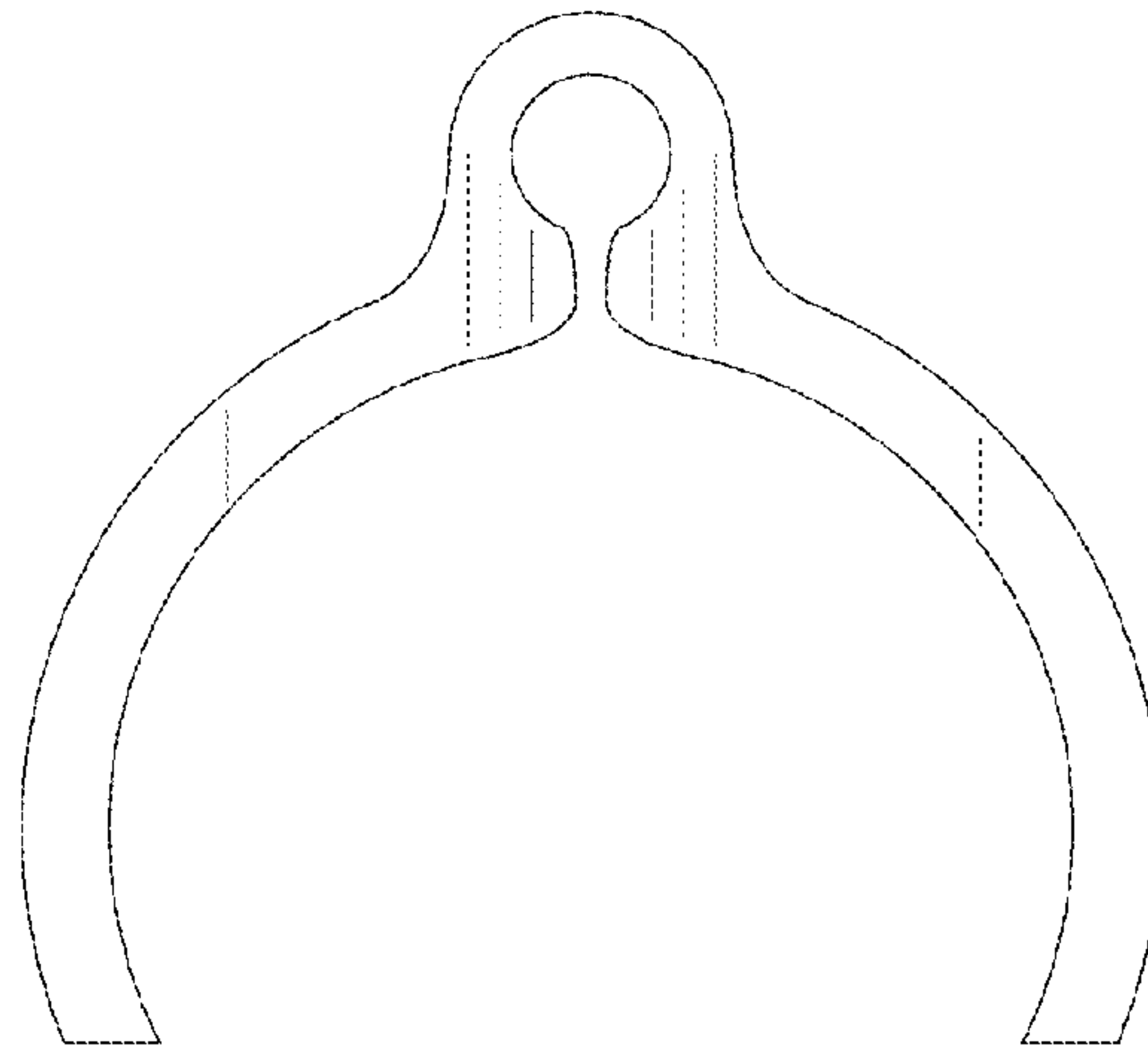


FIG. 2

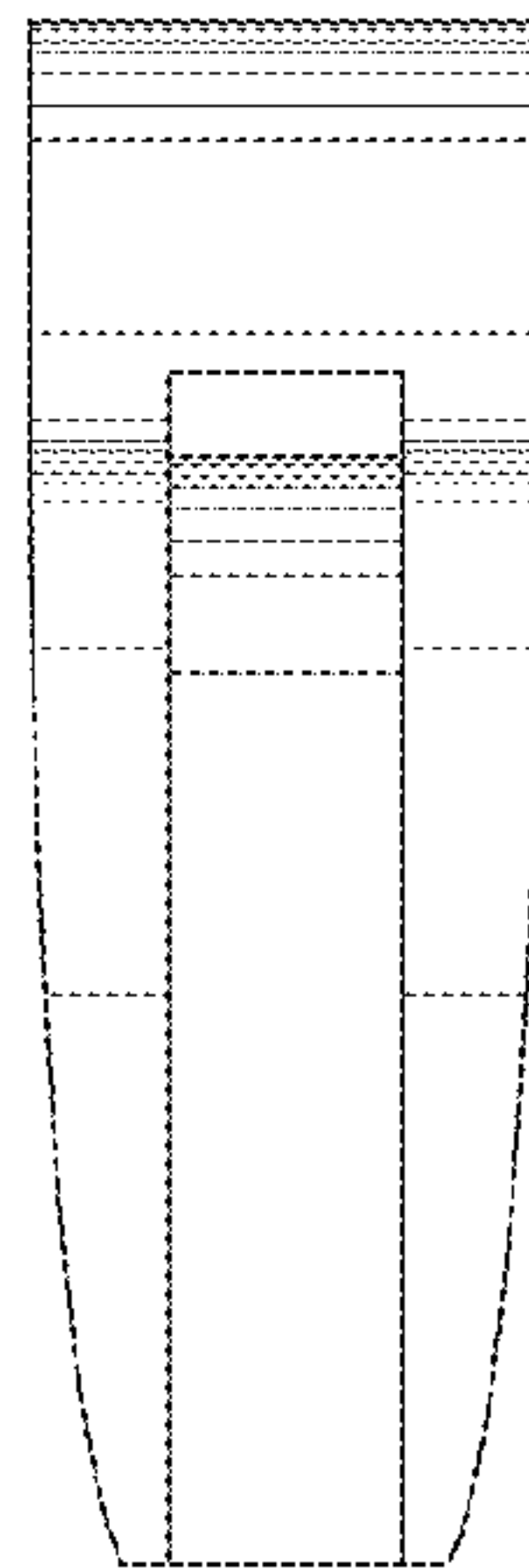


FIG. 3

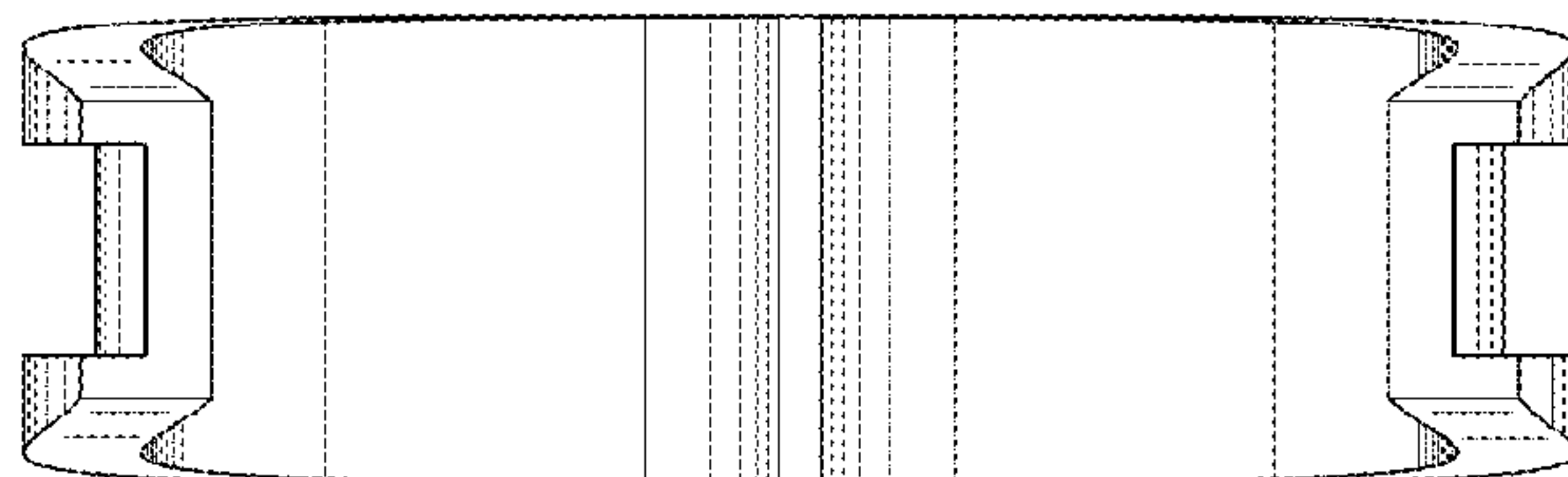


FIG. 4

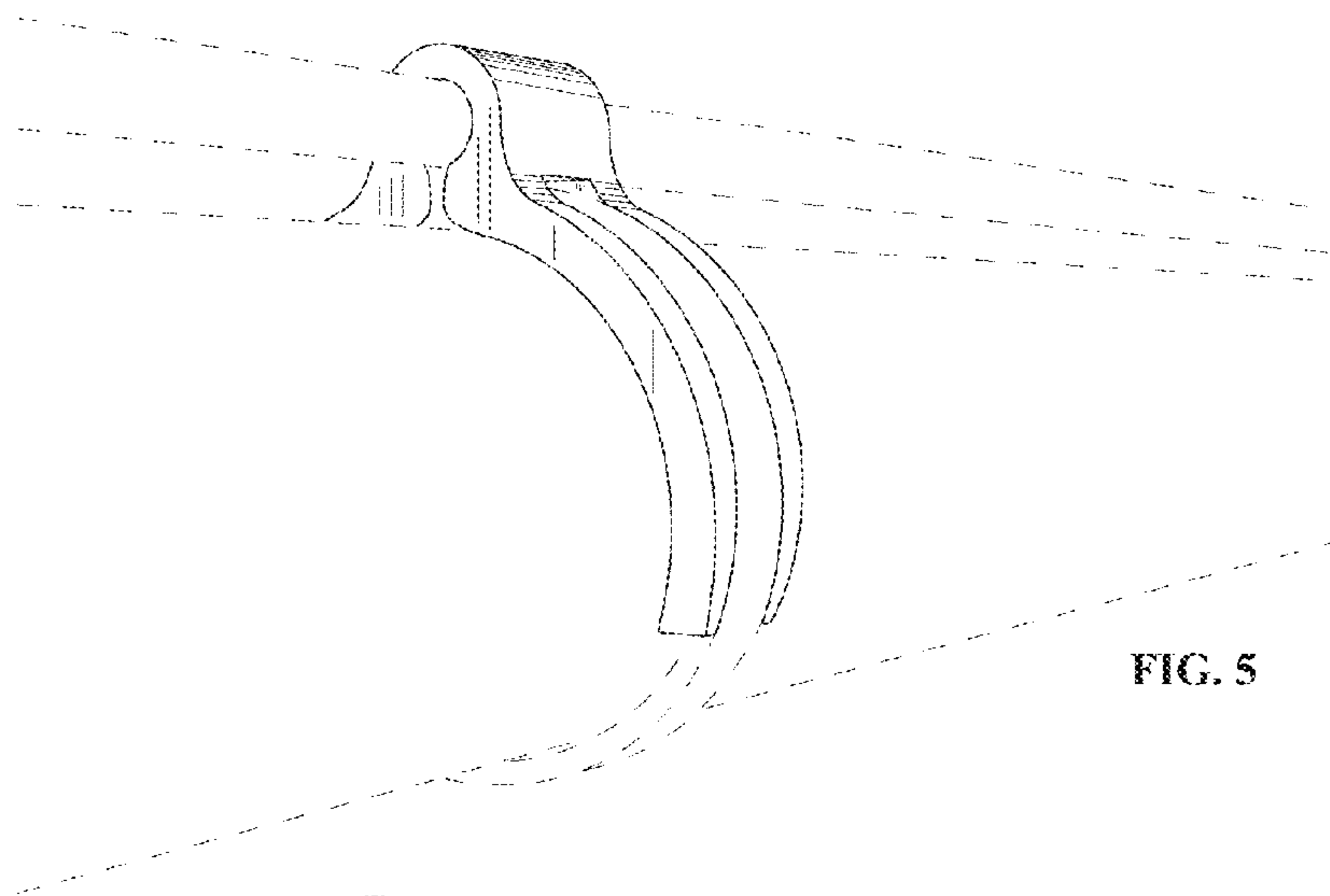


FIG. 5

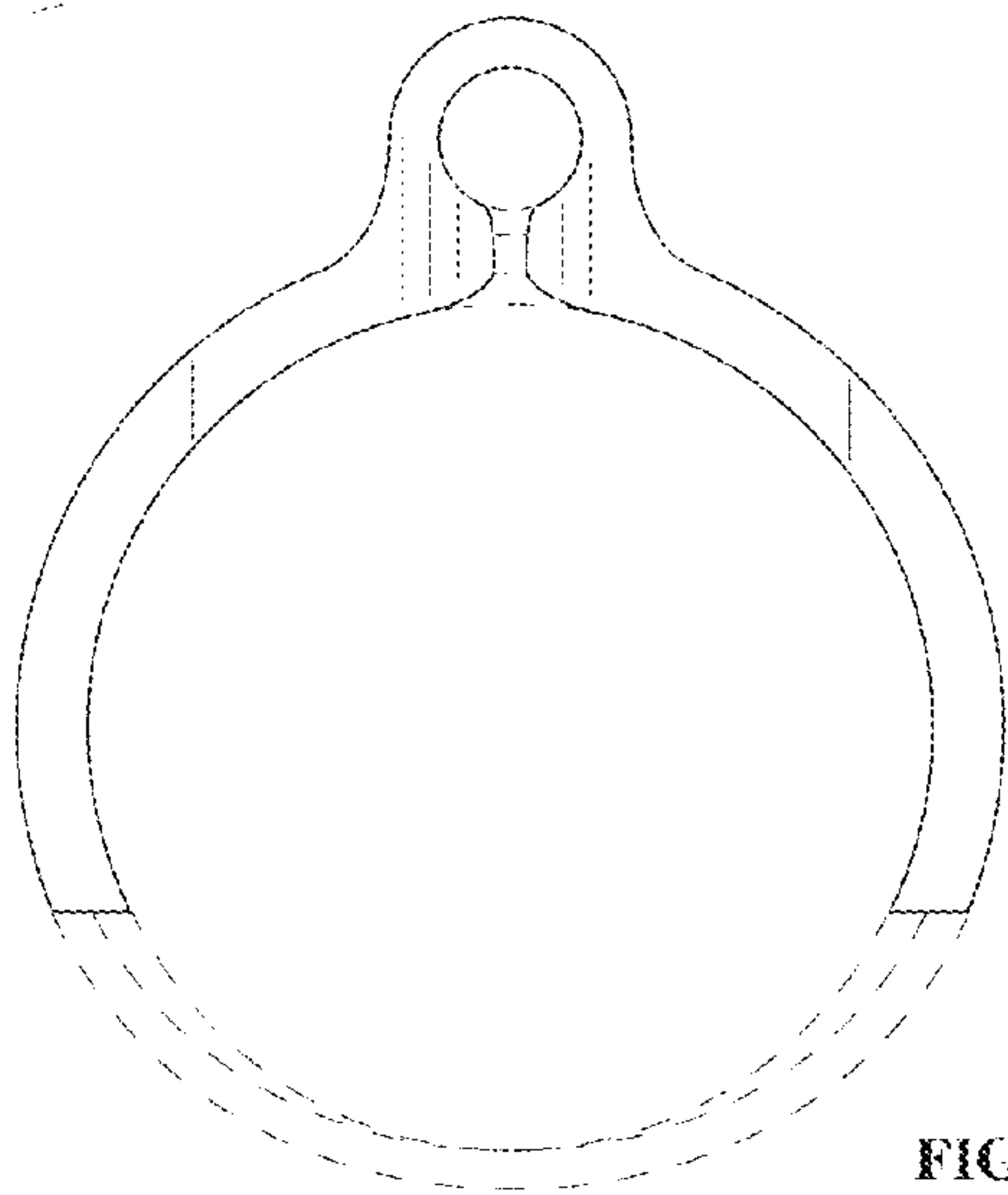


FIG. 6

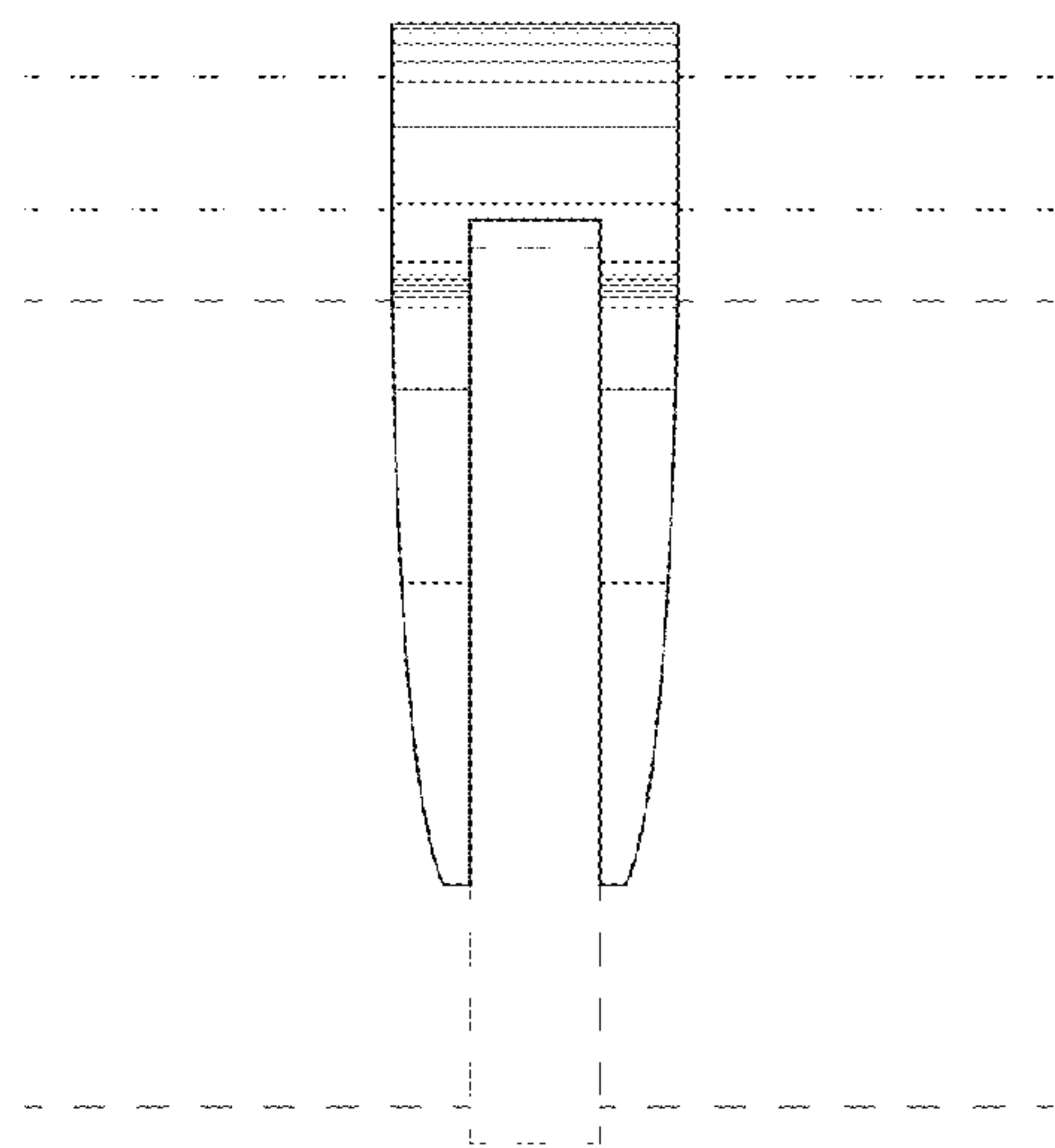


FIG. 7

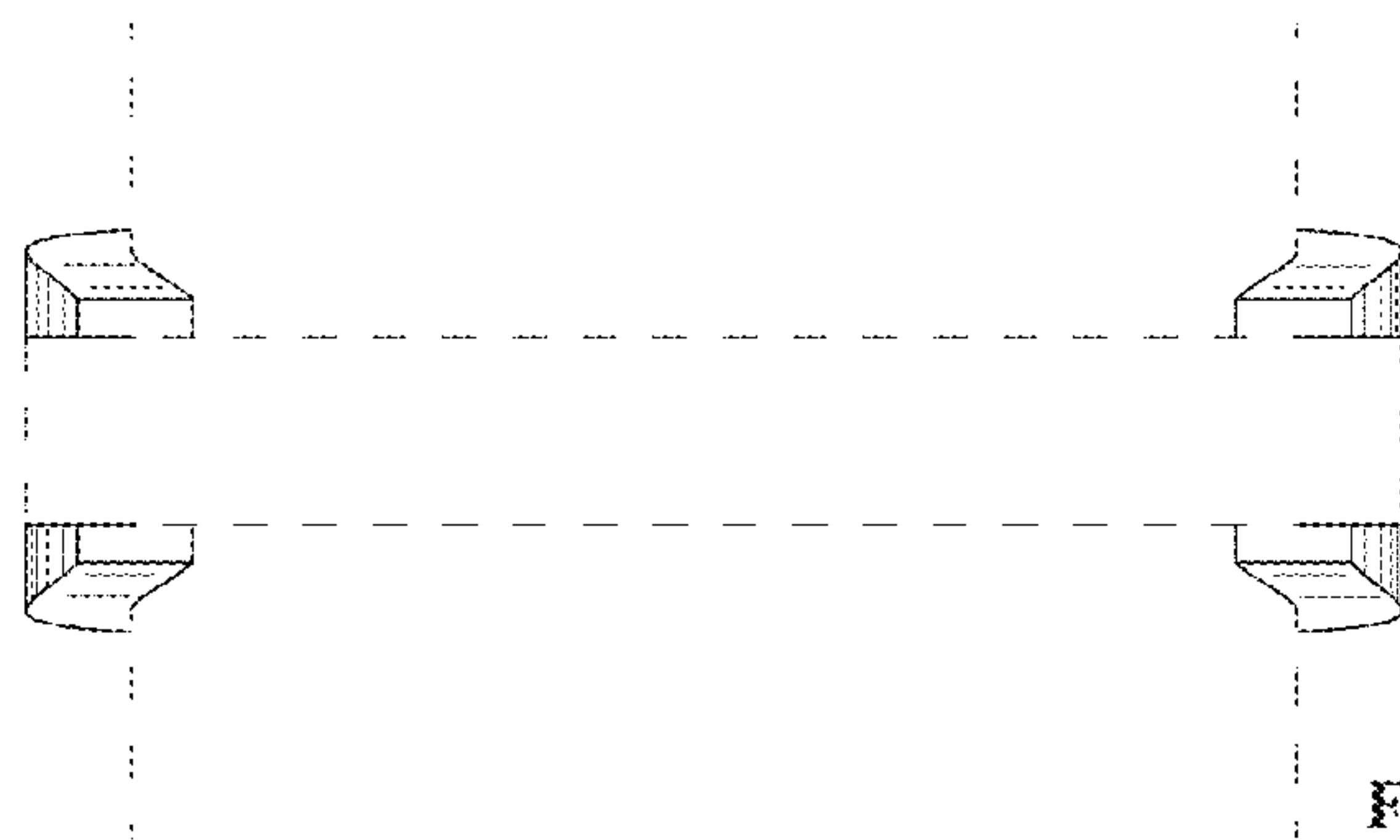


FIG. 8