



US00D747273S

(12) **United States Design Patent**
Langhammer et al.

(10) **Patent No.:** **US D747,273 S**
(45) **Date of Patent:** **** Jan. 12, 2016**

(54) **EXTENSION CABLE**

(71) Applicant: **Amazon Technologies, Inc.**, Seattle, WA (US)

(72) Inventors: **Heinz-Dominik Langhammer**, San Francisco, CA (US); **Marc Rene Walliser**, San Francisco, CA (US); **Robert Brian Curtis**, San Francisco, CA (US); **Christopher Green**, San Francisco, CA (US)

(73) Assignee: **Amazon Technologies, Inc.**, Seattle, WA (US)

(**) Term: **14 Years**

(21) Appl. No.: **29/503,741**

(22) Filed: **Sep. 29, 2014**

(51) **LOC (10) Cl.** **13-03**

(52) **U.S. Cl.**
USPC **D13/147**

(58) **Field of Classification Search**
USPC D13/133, 147, 154, 184, 199
See application file for complete search history.

(56) **References Cited**

U.S. PATENT DOCUMENTS

D537,780 S *	3/2007	Suckle	D13/133
D576,102 S *	9/2008	Zenri	D13/147
D636,337 S *	4/2011	Smith	D13/147
D707,180 S *	6/2014	Yi	D13/147
D709,032 S *	7/2014	Akana	D13/147
D716,235 S *	10/2014	Tien	D13/147

* cited by examiner

Primary Examiner — Daniel Bui

(74) *Attorney, Agent, or Firm* — Lee & Hayes, PLLC

(57) **CLAIM**

The ornamental design for an extension cable, as shown and described.

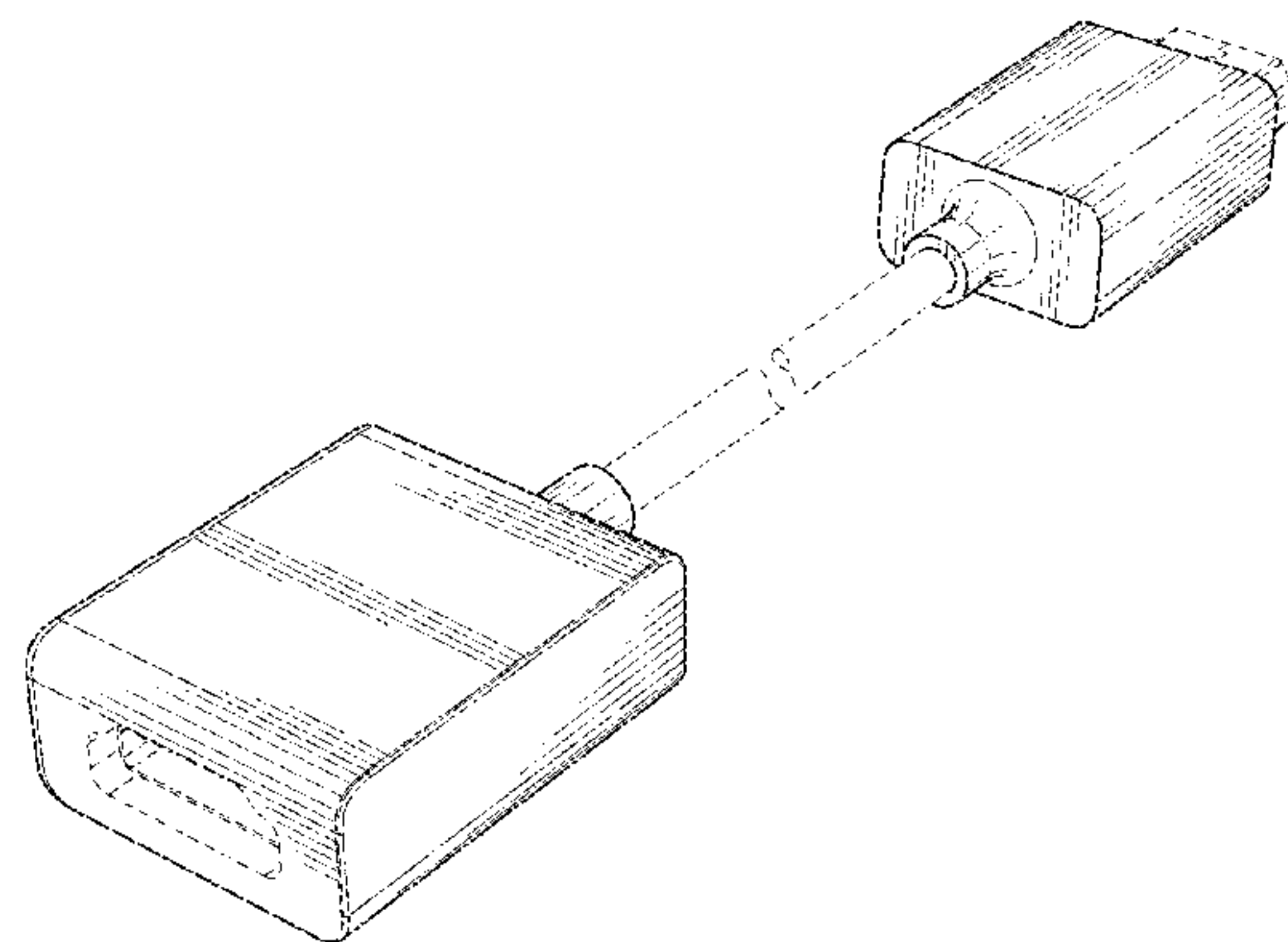
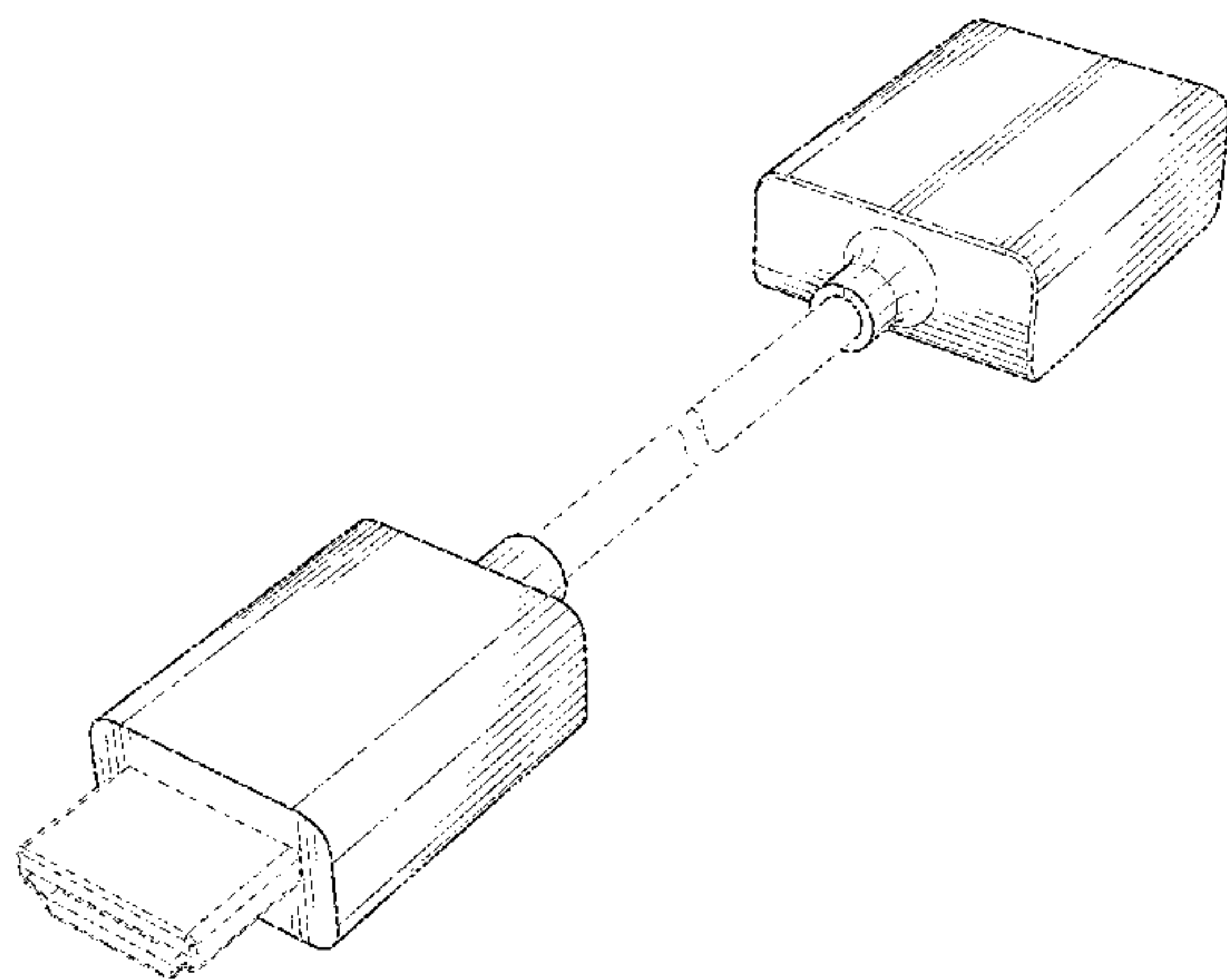
DESCRIPTION

FIG. 1 is a perspective view of a first embodiment of an extension cable, showing our new design; FIG. 2 is another perspective view thereof; FIG. 3 is a top view thereof; FIG. 4 is a bottom view thereof; FIG. 5 is a left-side view thereof; FIG. 6 is a right-side view thereof; FIG. 7 is a back view thereof; and FIG. 8 is a front view thereof; FIG. 9 is a perspective view of a second embodiment of an extension cable, showing our new design; FIG. 10 is another perspective view thereof; FIG. 11 is a top view thereof; FIG. 12 is a bottom view thereof; FIG. 13 is a left-side view thereof; and, FIG. 14 is a right-side view thereof.

The front and back views of the second embodiment of the extension cable being identical to the corresponding view of the first embodiment of the extension cable.

The broken line in the figure drawings is included to show unclaimed subject matter only and forms no part of the claimed design.

1 Claim, 4 Drawing Sheets



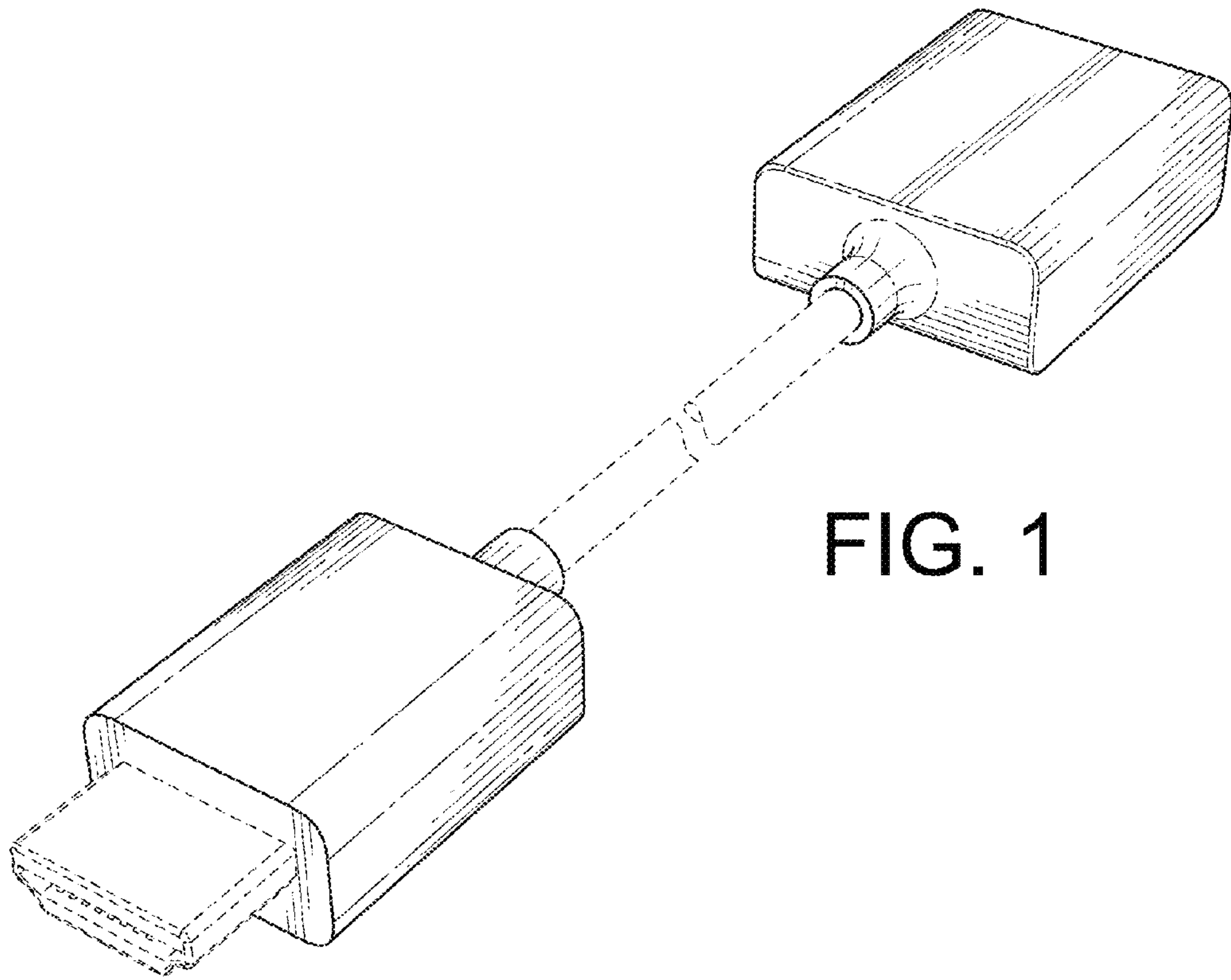


FIG. 1

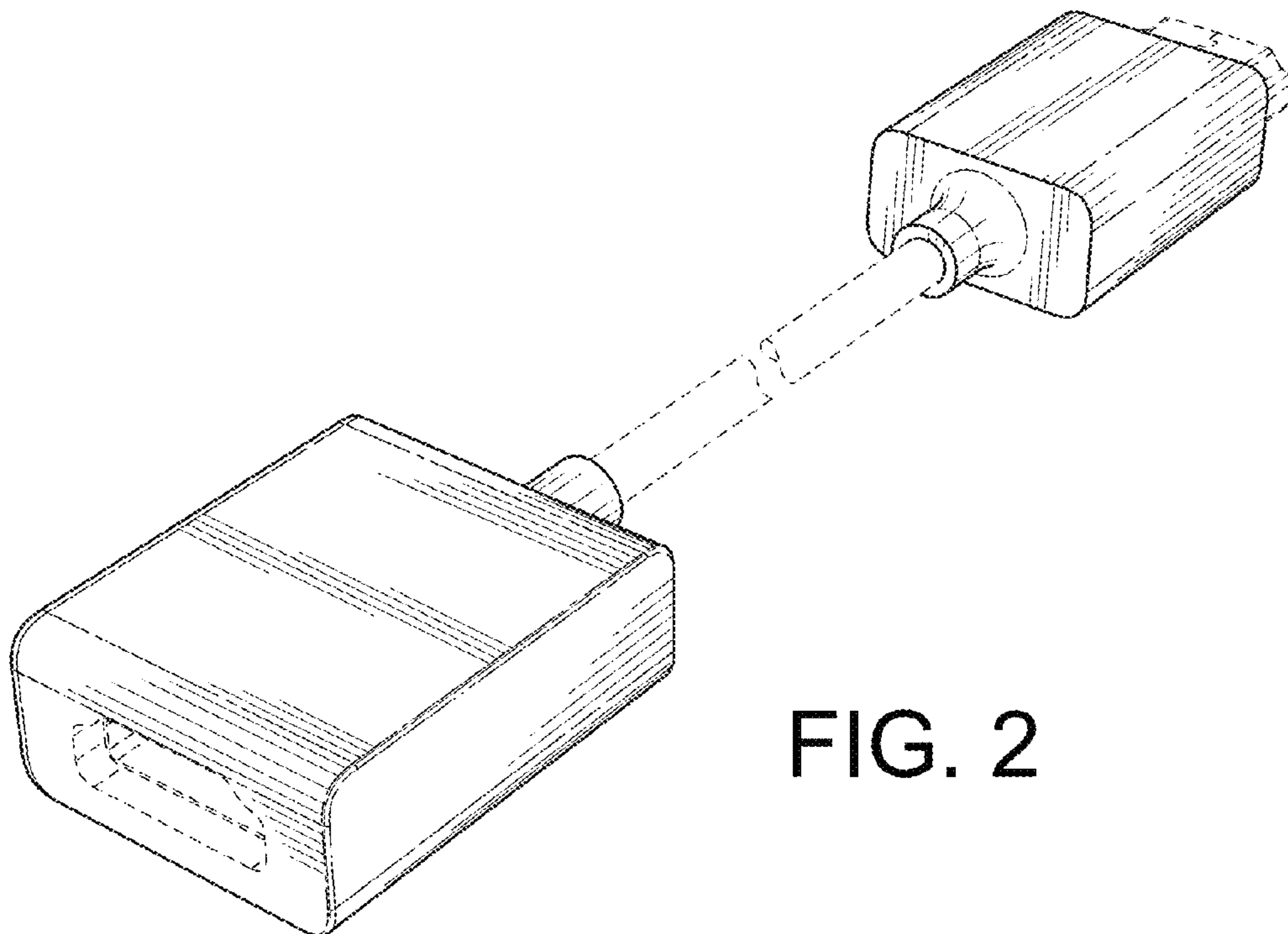


FIG. 2

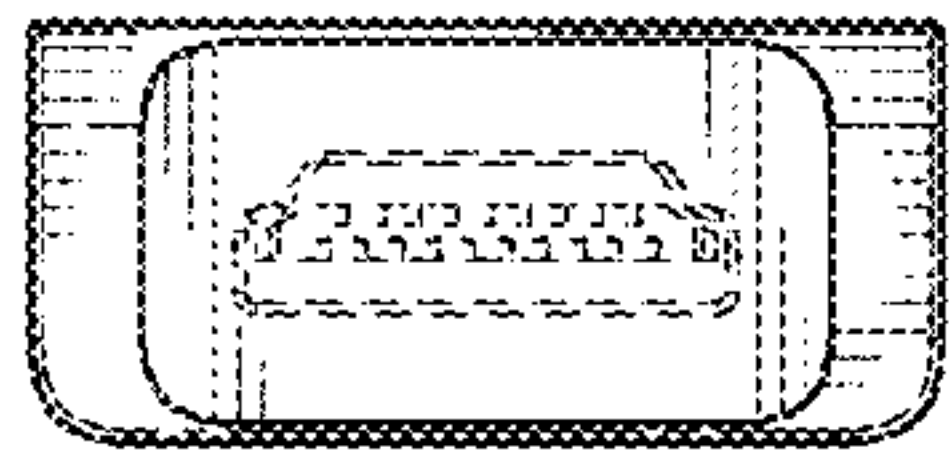


FIG. 7

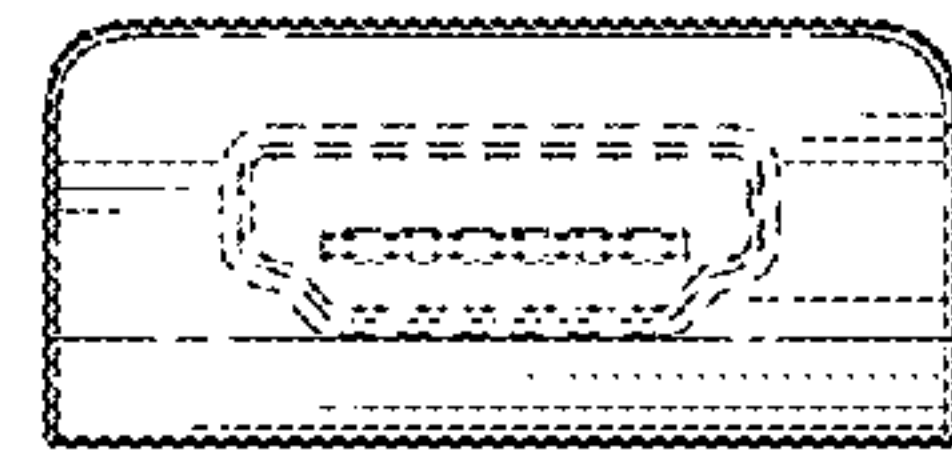


FIG. 8

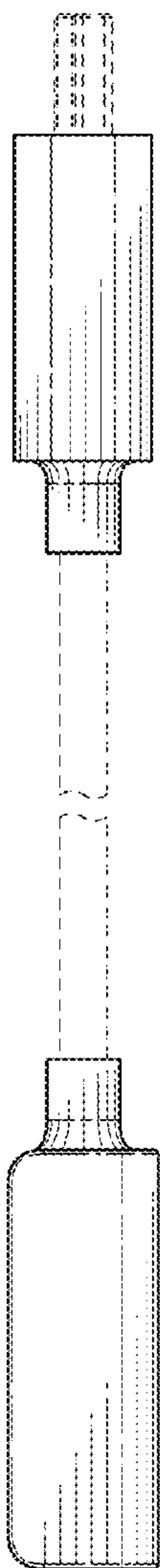


FIG. 5

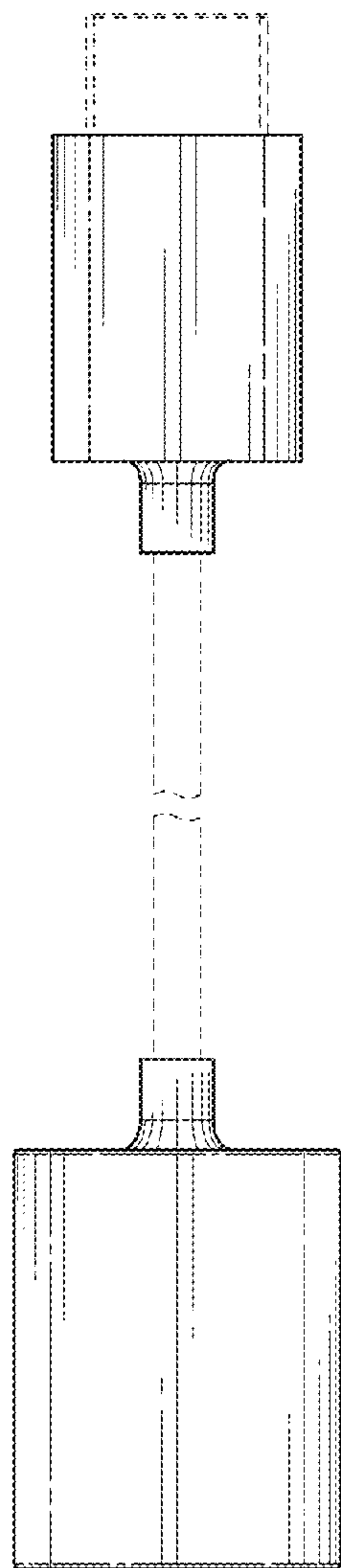


FIG. 3

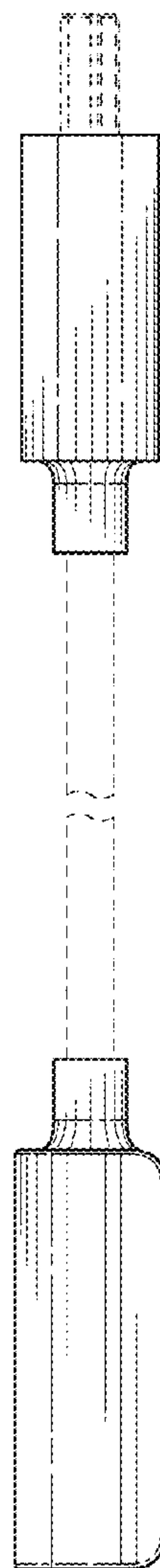


FIG. 6

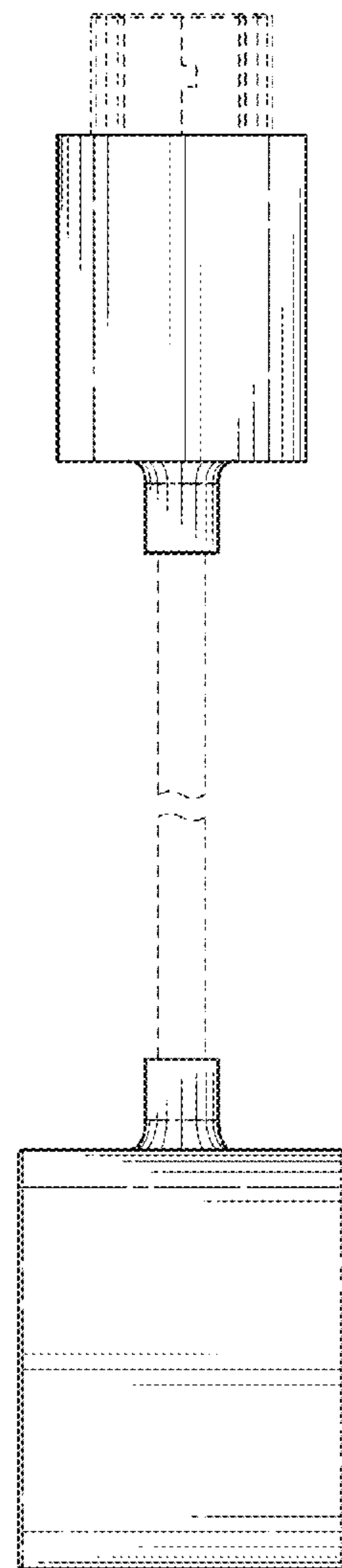


FIG. 4

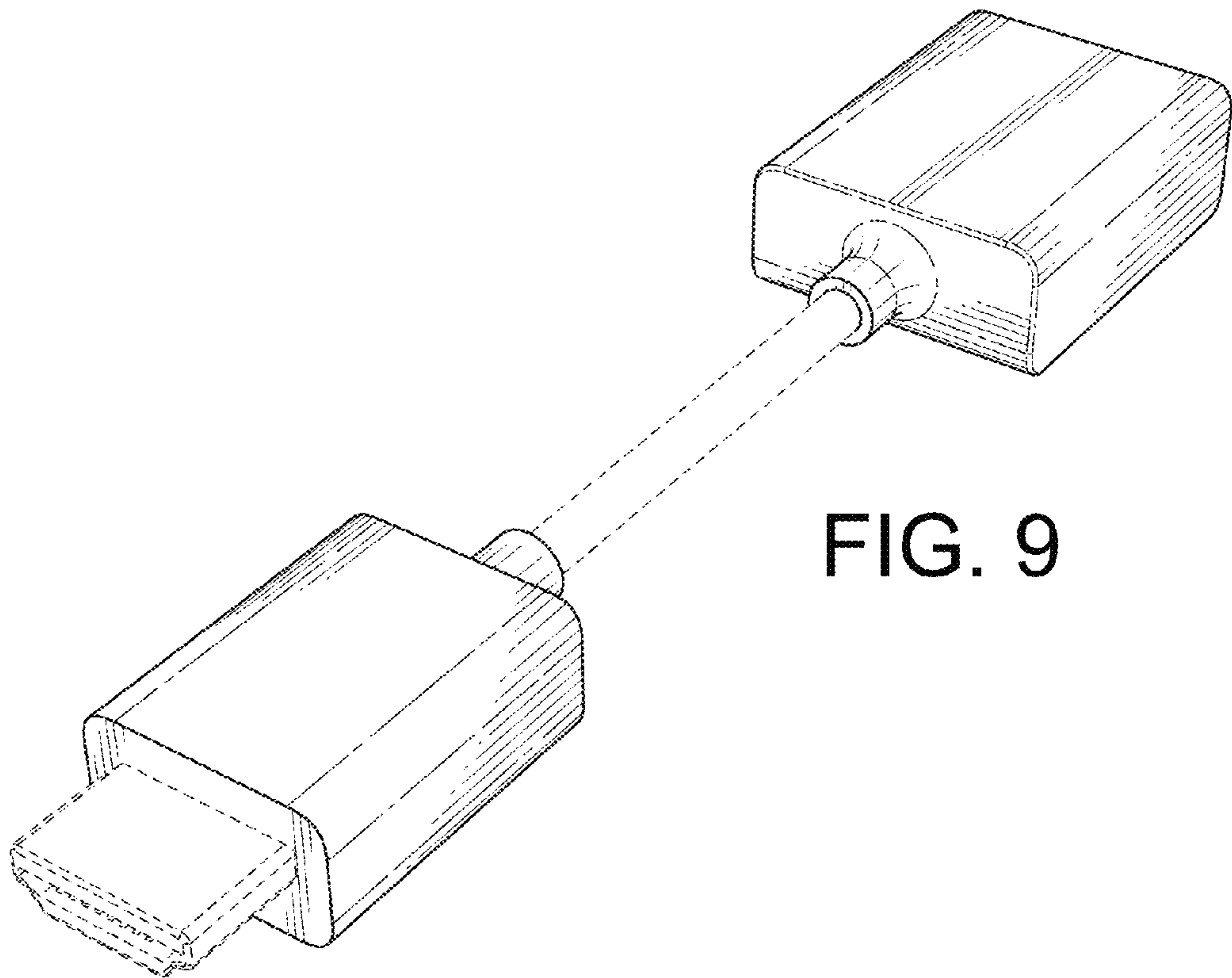


FIG. 9

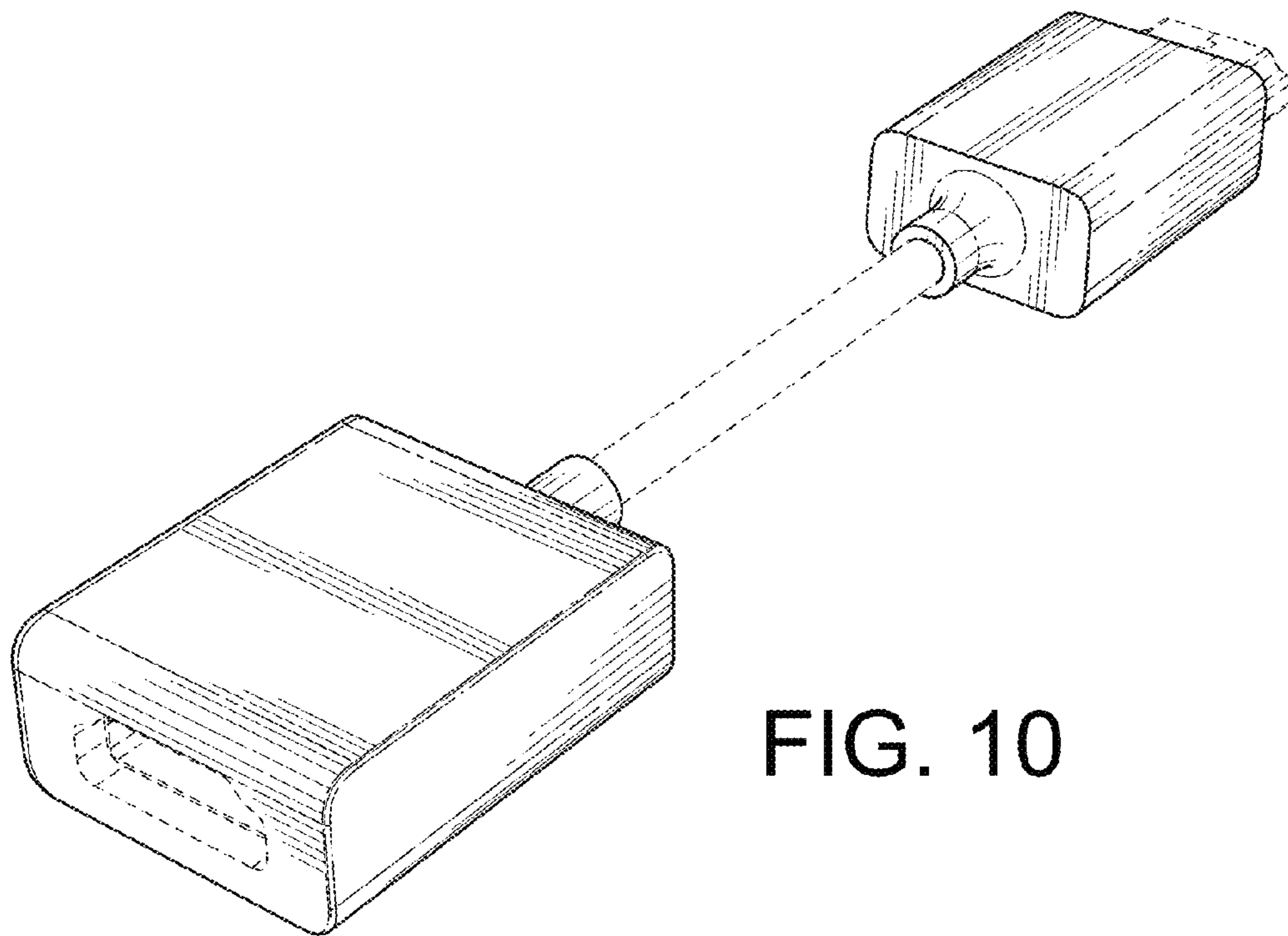


FIG. 10

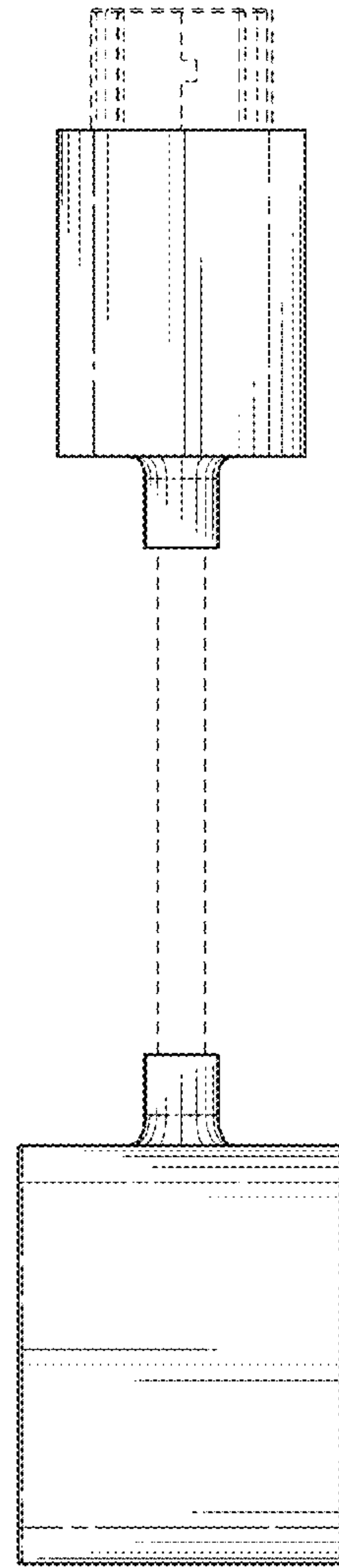
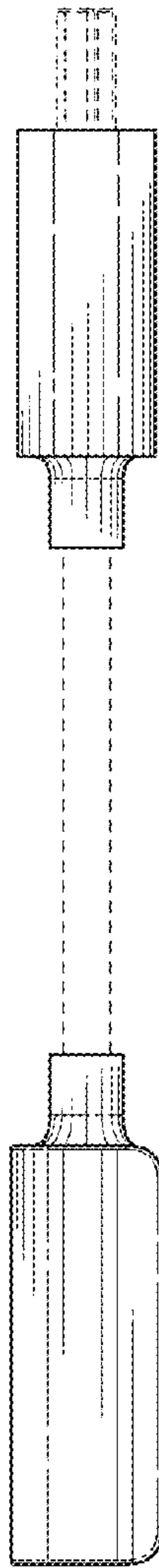
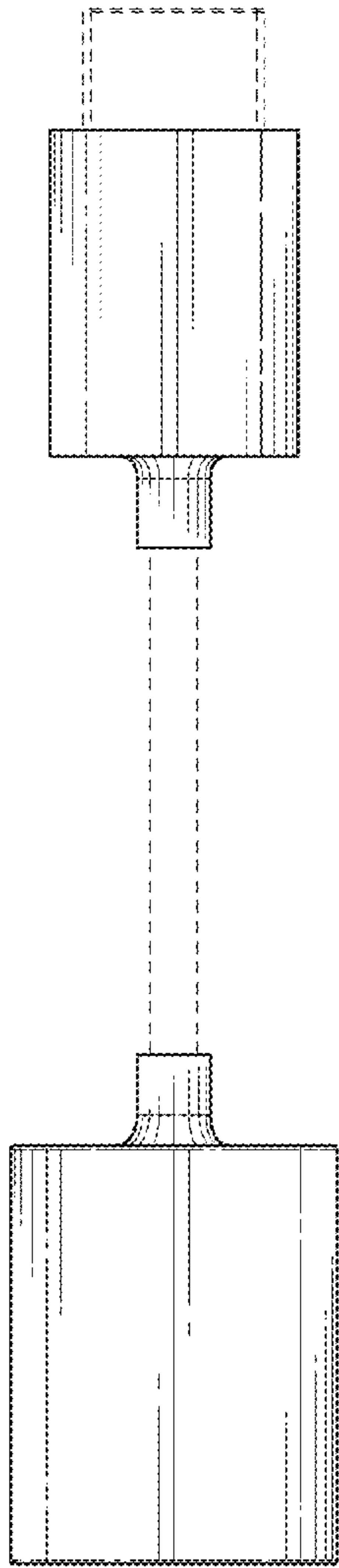
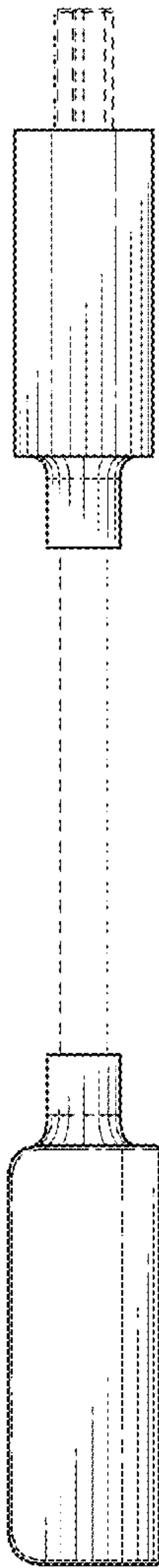


FIG. 13

FIG. 11

FIG. 14

FIG. 12