



US00D747272S

(12) **United States Design Patent**
Zhao et al.

(10) **Patent No.:** **US D747,272 S**
(45) **Date of Patent:** **** Jan. 12, 2016**

(54) **UNITARY CONNECTOR**

(71) Applicant: **HON HAI PRECISION INDUSTRY CO., LTD.**, New Taipei (TW)

(72) Inventors: **Jun Zhao**, Kunshan (CN); **Jing-Jie Guo**, Kunshan (CN); **Jian-Li Zhang**, Kunshan (CN)

(73) Assignee: **FOXCONN INTERCONNECT TECHNOLOGY LIMITED**, Grand Cayman (KY)

(**) Term: **14 Years**

(21) Appl. No.: **29/494,305**

(22) Filed: **Jun. 19, 2014**

(30) **Foreign Application Priority Data**

Feb. 26, 2014 (CN) 2014 3 0035038

(51) **LOC (10) Cl.** **13-03**

(52) **U.S. Cl.**
USPC **D13/147**

(58) **Field of Classification Search**
USPC D13/147, 154, 184, 199
See application file for complete search history.

(56) **References Cited**

U.S. PATENT DOCUMENTS

D458,902 S * 6/2002 Suzuki D13/147
D490,234 S * 5/2004 Masaki D13/133

D498,463 S * 11/2004 Lin et al. D13/147
D502,685 S * 3/2005 Shimojo D13/133
D584,233 S * 1/2009 Chiang D13/147
D695,227 S * 12/2013 Hsiao et al. D13/147
2012/0315779 A1 12/2012 Yudate et al.

FOREIGN PATENT DOCUMENTS

CN 202134771 2/2012
CN 203367577 12/2013

* cited by examiner

Primary Examiner — Daniel Bui

(74) *Attorney, Agent, or Firm* — Ming Chieh Chang; Wei Te Chung

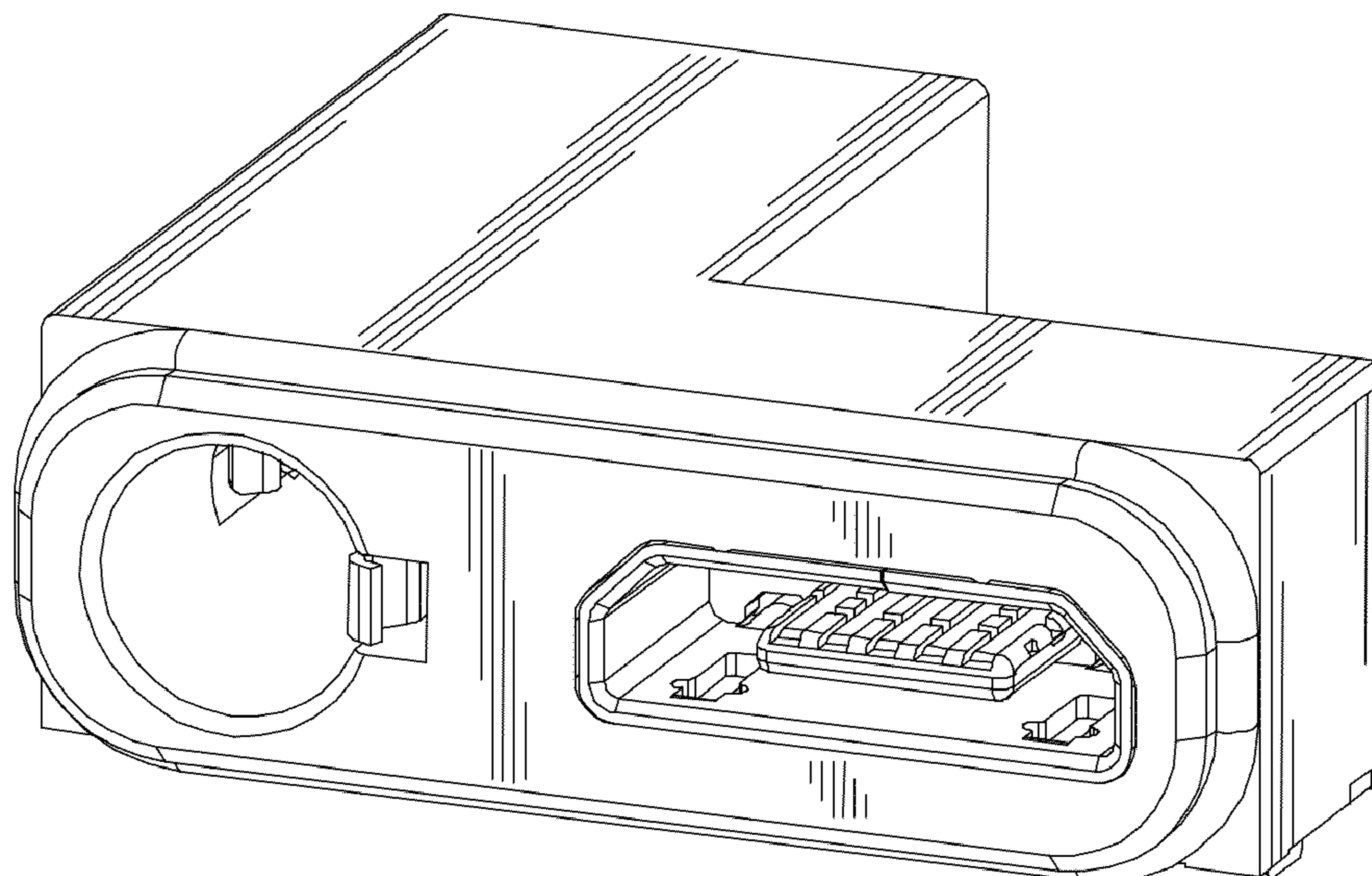
(57) **CLAIM**

The ornamental design for a unitary connector, as shown and described.

DESCRIPTION

FIG. 1 is a front, top and right side perspective view of a unitary connector showing our new design; FIG. 2 is a front elevational view thereof; FIG. 3 is a rear elevational view thereof; FIG. 4 is a left side elevational view thereof; FIG. 5 is a right side elevational view thereof; FIG. 6 is a top plan view thereof; and, FIG. 7 is a bottom plan view thereof. The broken lines in the drawing figures are used to define the bounds of the claim and form no part of the claimed design.

1 Claim, 7 Drawing Sheets



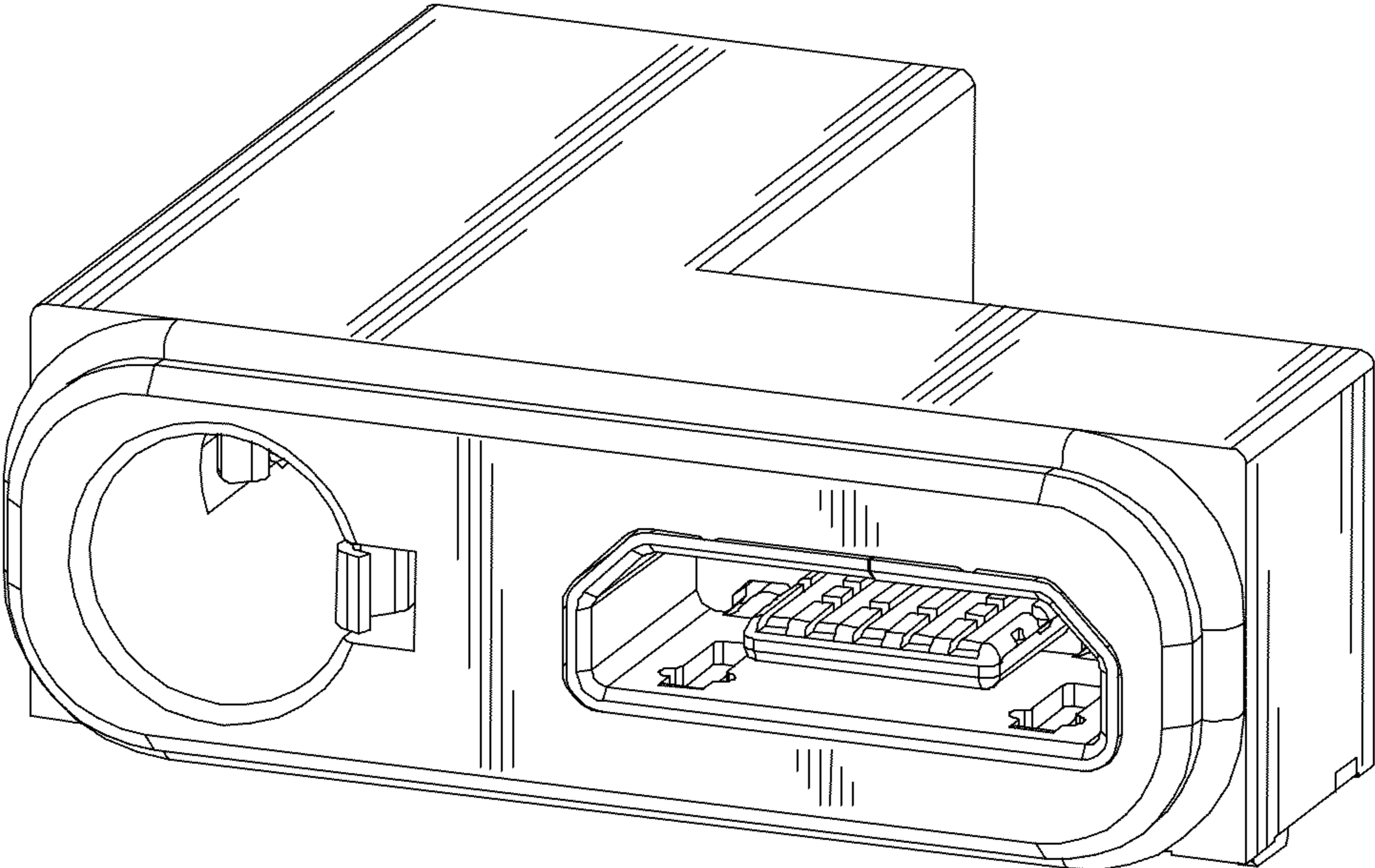


FIG. 1

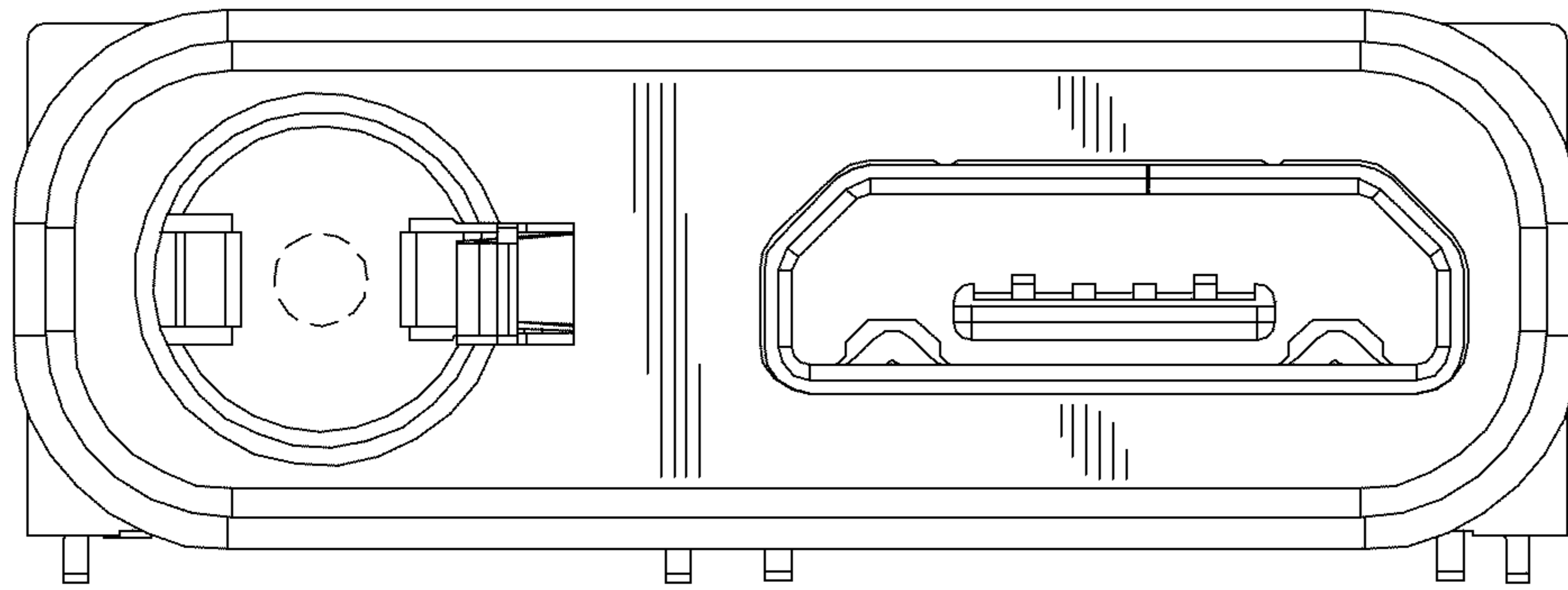


FIG. 2

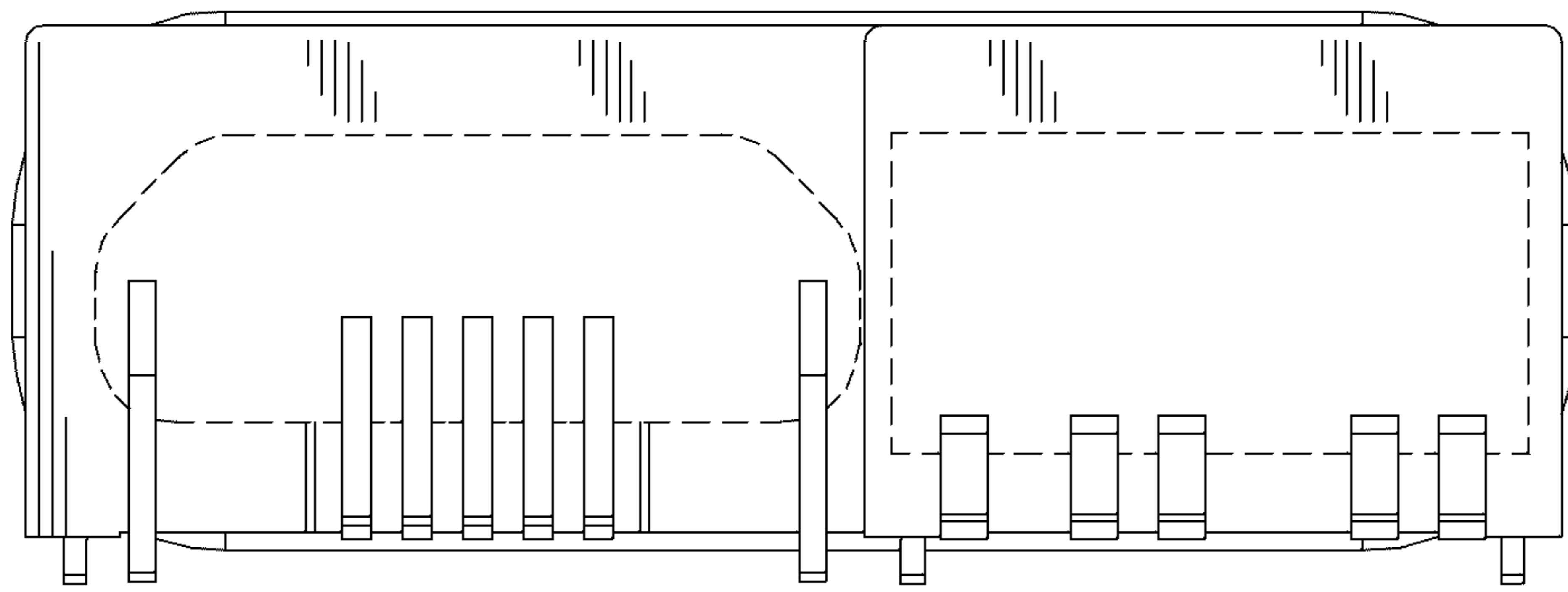


FIG. 3

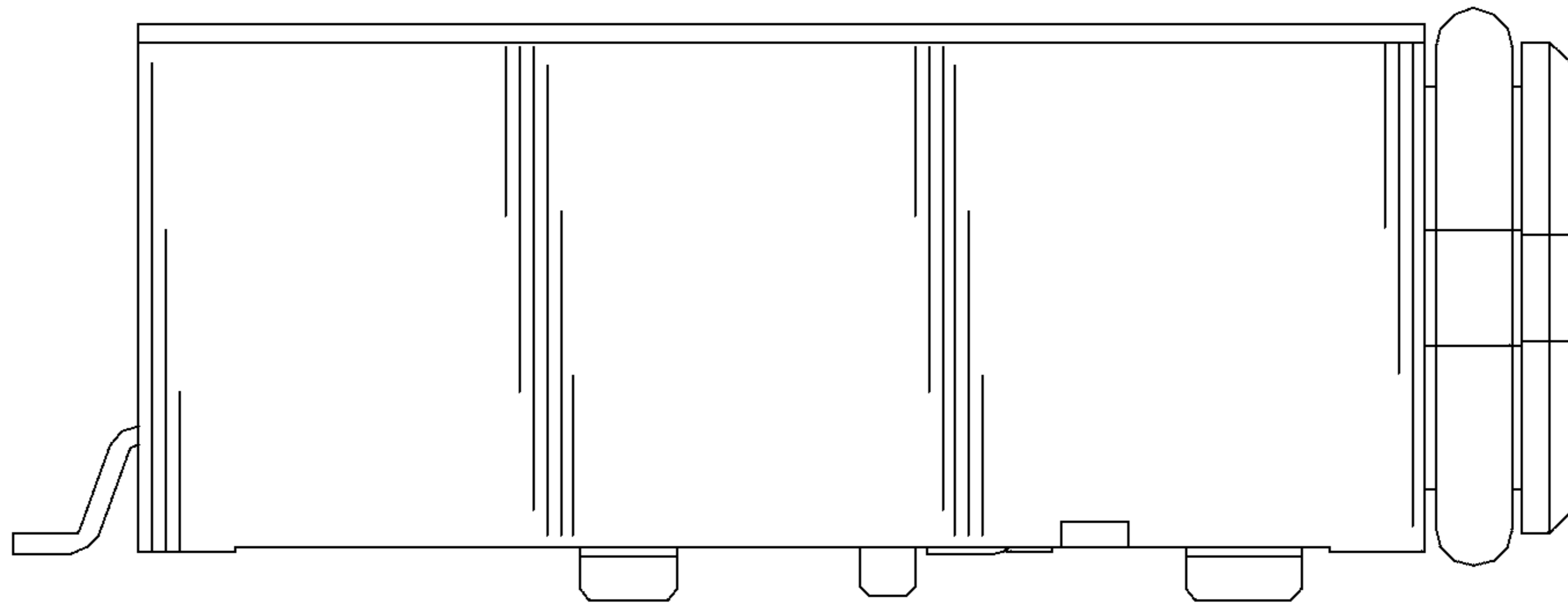


FIG. 4

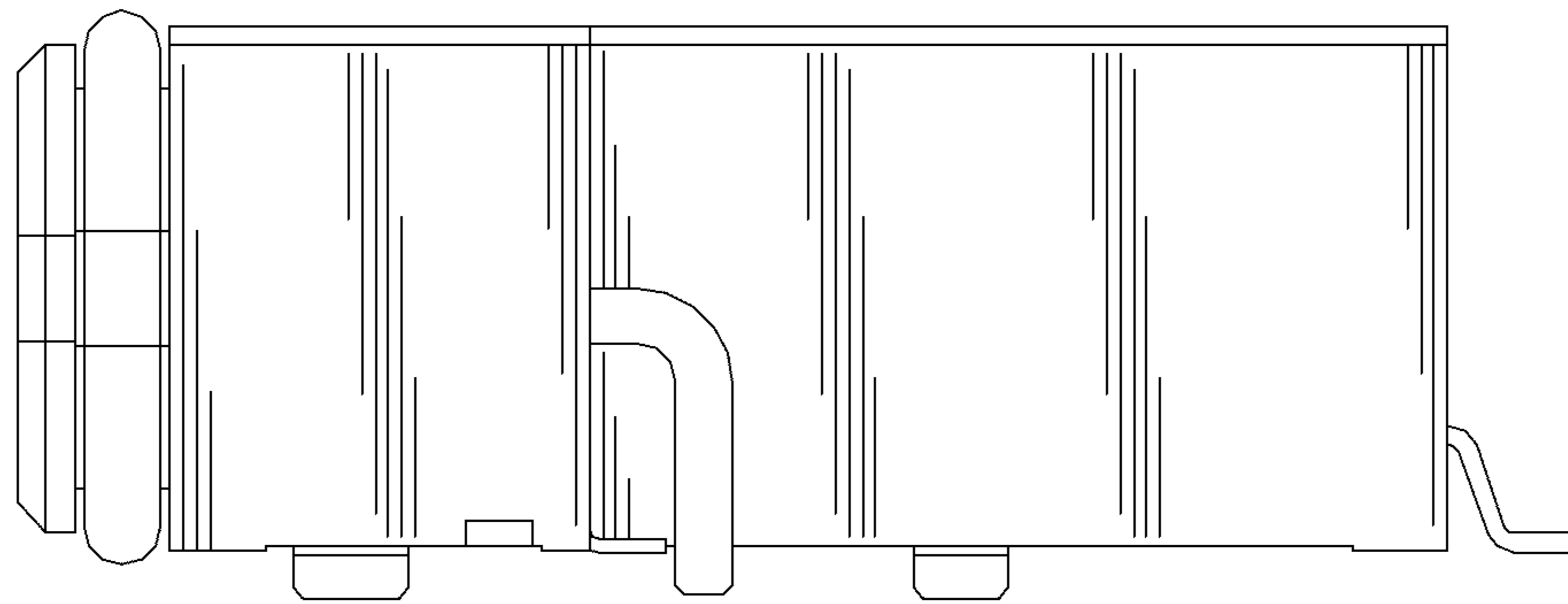


FIG. 5

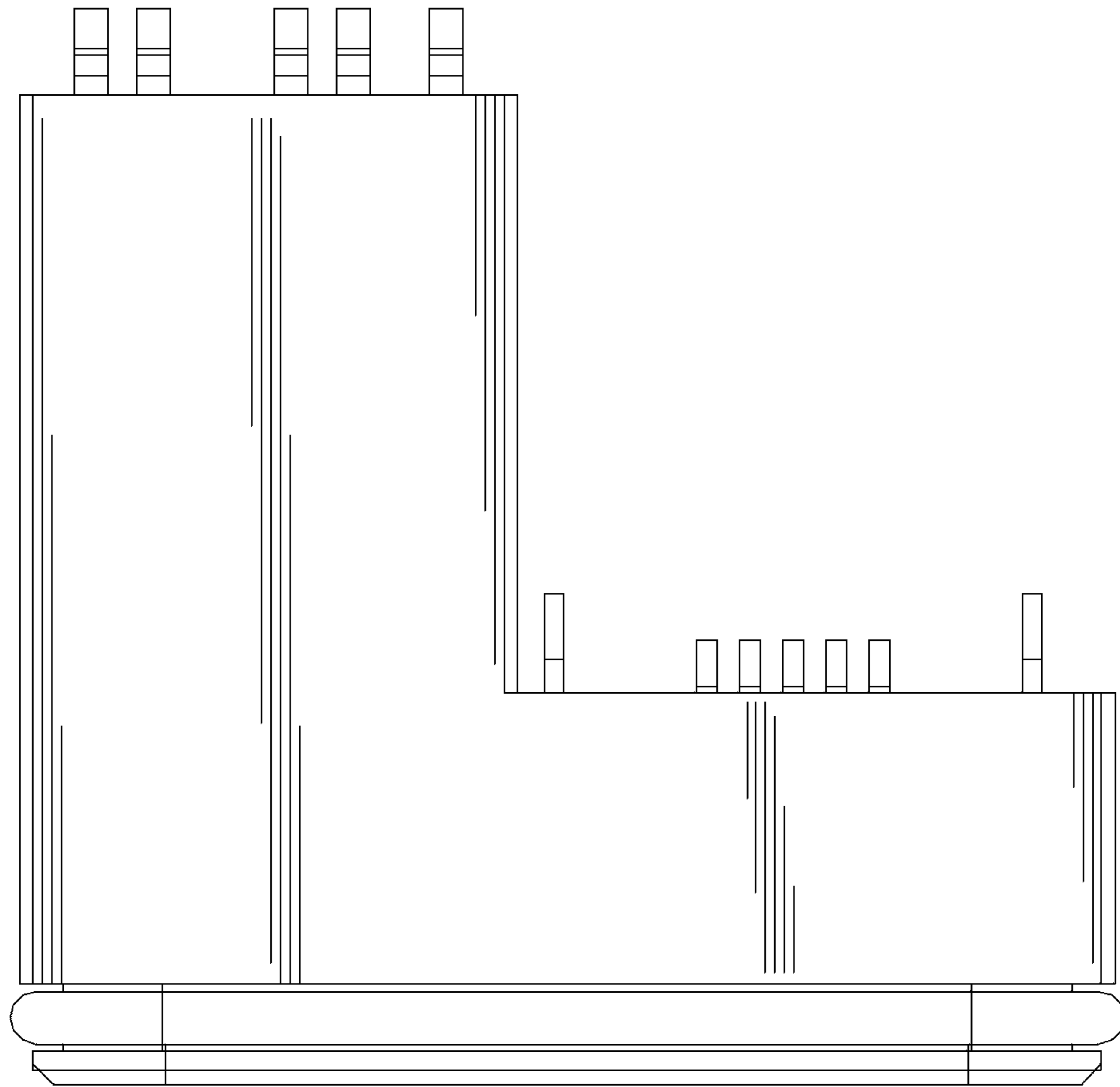


FIG. 6

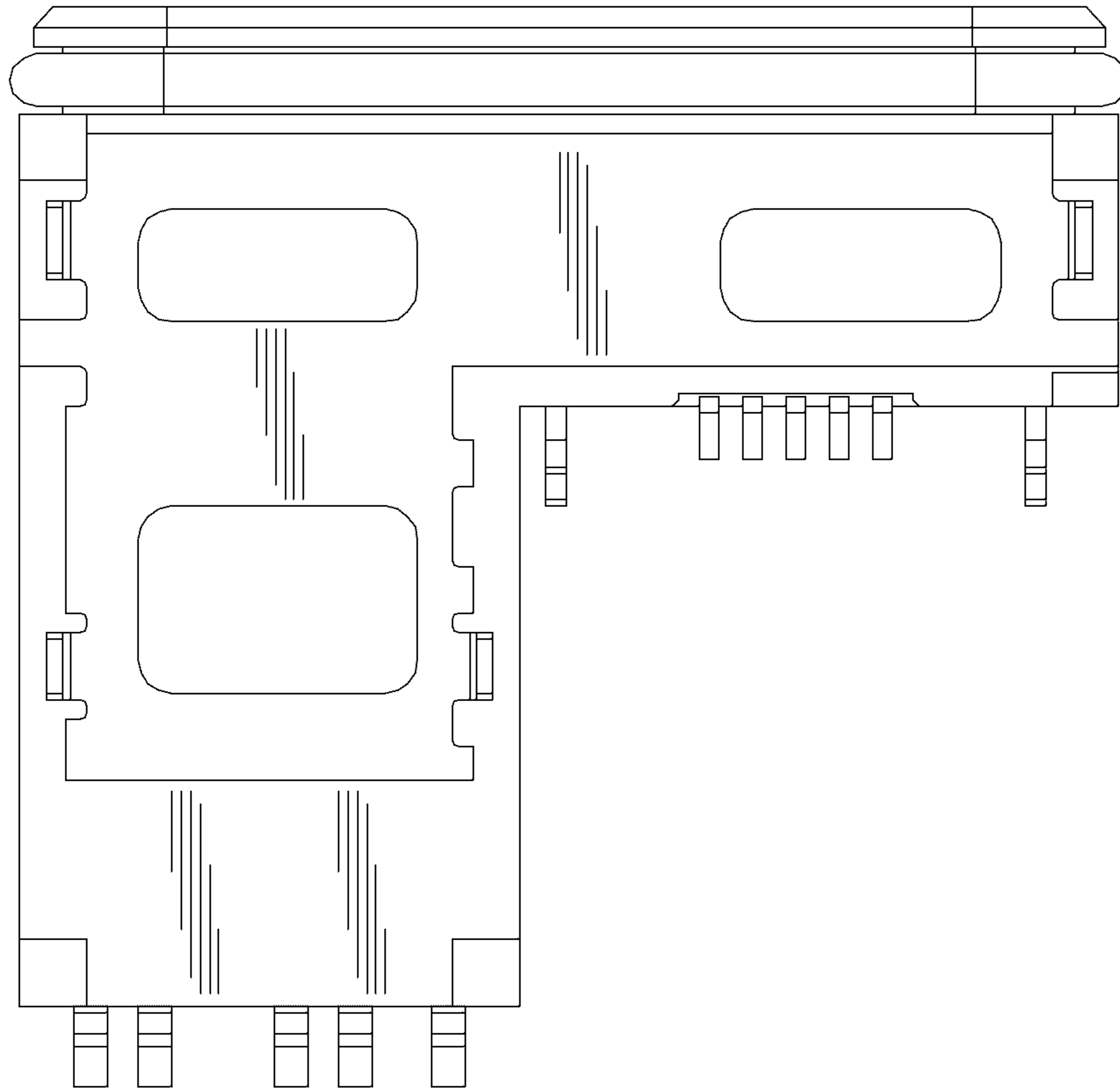


FIG. 7