



US00D747271S

(12) **United States Design Patent**
Endo et al.

(10) **Patent No.:** **US D747,271 S**
(45) **Date of Patent:** **** Jan. 12, 2016**

(54) **ELECTRIC CONNECTOR**

(71) Applicant: **DAI-ICHI SEIKO CO., LTD.**, Kyoto (JP)

(72) Inventors: **Takayoshi Endo**, Shizuoka (JP); **Sakai Yagi**, Shizuoka (JP); **Shuji Touno**, Shizuoka (JP)

(73) Assignee: **Dai-Ichi Seiko Co., Ltd.**, Kyoto (JP)

(**) Term: **14 Years**

(21) Appl. No.: **29/467,582**

(22) Filed: **Sep. 20, 2013**

(30) **Foreign Application Priority Data**

Mar. 25, 2013 (JP) 2013-6534

(51) **LOC (10) Cl.** **13-03**

(52) **U.S. Cl.**
USPC **D13/147**

(58) **Field of Classification Search**
USPC D13/133, 146, 147, 154, 184, 199
See application file for complete search history.

(56) **References Cited**

U.S. PATENT DOCUMENTS

D309,289 S * 7/1990 Endo et al. D13/147
D336,283 S * 6/1993 Ohkura et al. D13/147

5,664,966 A * 9/1997 Maegawa et al. 439/595
5,711,684 A * 1/1998 Inoue et al. 439/354
6,354,867 B1 * 3/2002 Tachi et al. 439/488
6,419,515 B1 * 7/2002 Okayasu 439/358
2014/0357130 A1 * 12/2014 Endo et al. 439/626

* cited by examiner

Primary Examiner — Daniel Bui

(74) *Attorney, Agent, or Firm* — Wenderoth, Lind & Ponack, L.L.P.

(57) **CLAIM**

The ornamental design for an electric connector, as shown and described.

DESCRIPTION

FIG. 1 is a front, top, and right side perspective view of an electric connector showing our new design;
FIG. 2 is a rear, top, and left side perspective view thereof;
FIG. 3 is a front elevation view thereof;
FIG. 4 is a rear elevation view thereof;
FIG. 5 is a top plan view thereof;
FIG. 6 is a bottom plan view thereof; and,
FIG. 7 is a right side elevation view thereof, the left side being a mirror image thereof.
The broken lines shown in the drawings are included for the purpose of illustrating unclaimed environment only, and form no part of the claimed design.

1 Claim, 4 Drawing Sheets

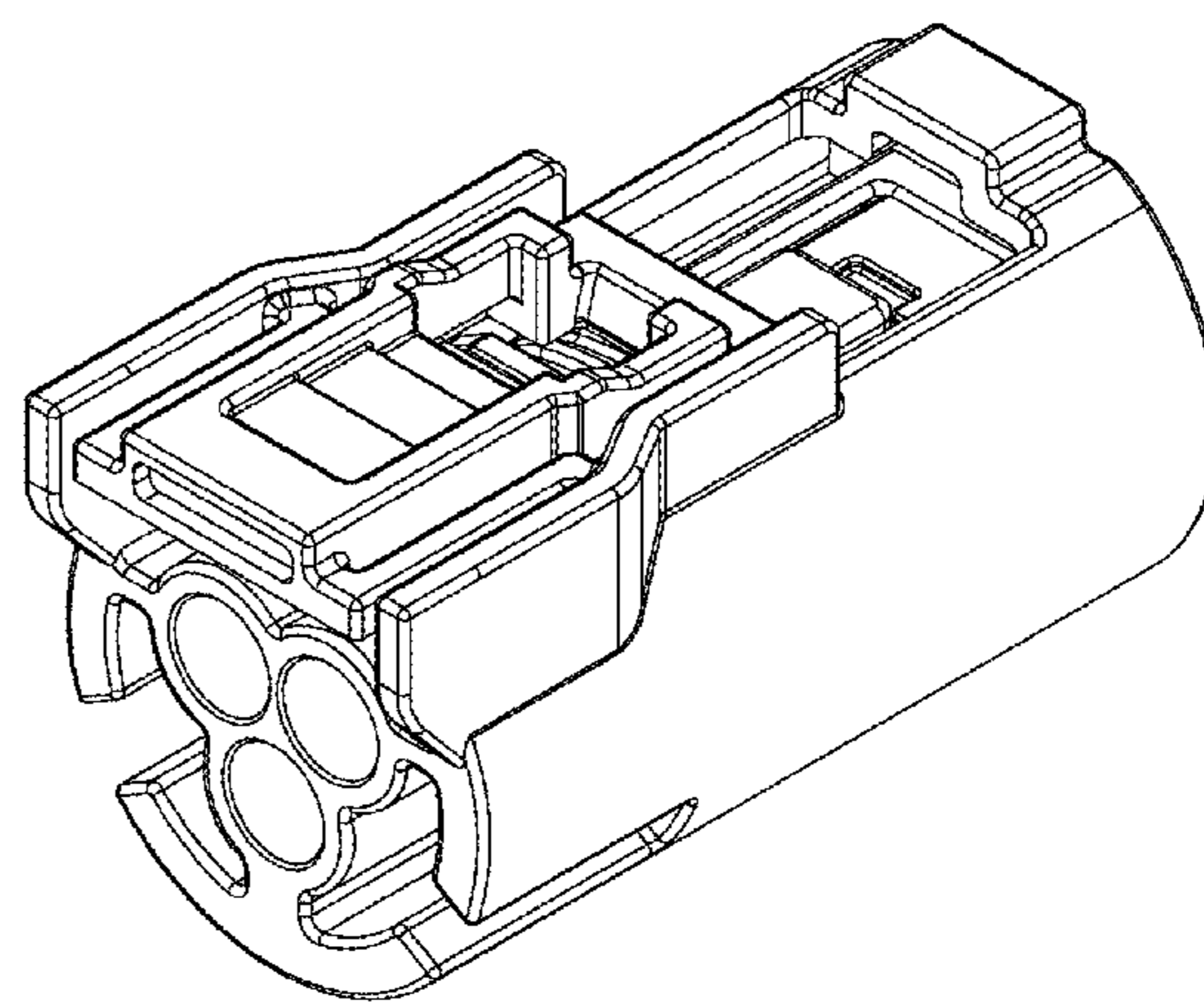
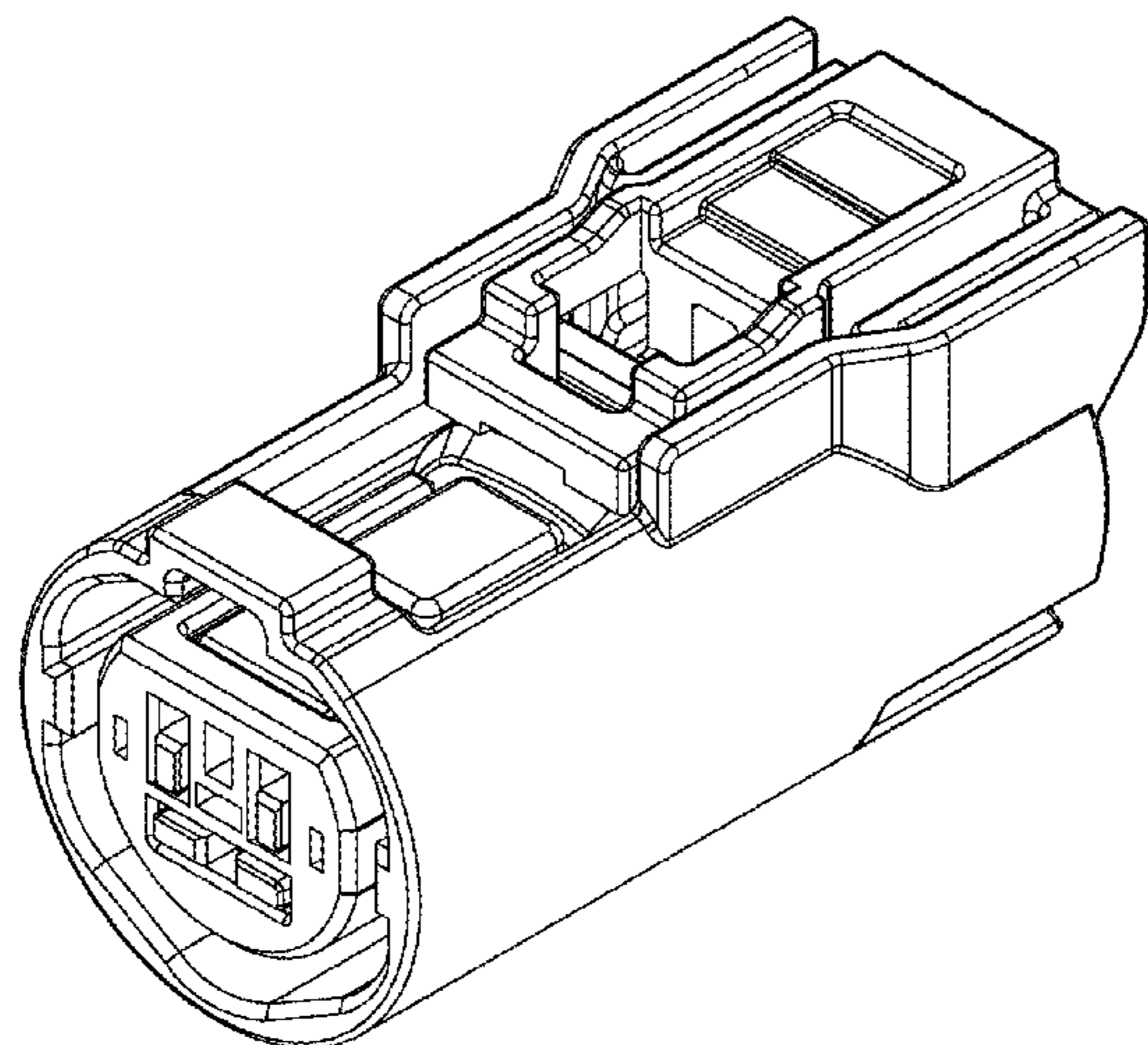


FIG. 1

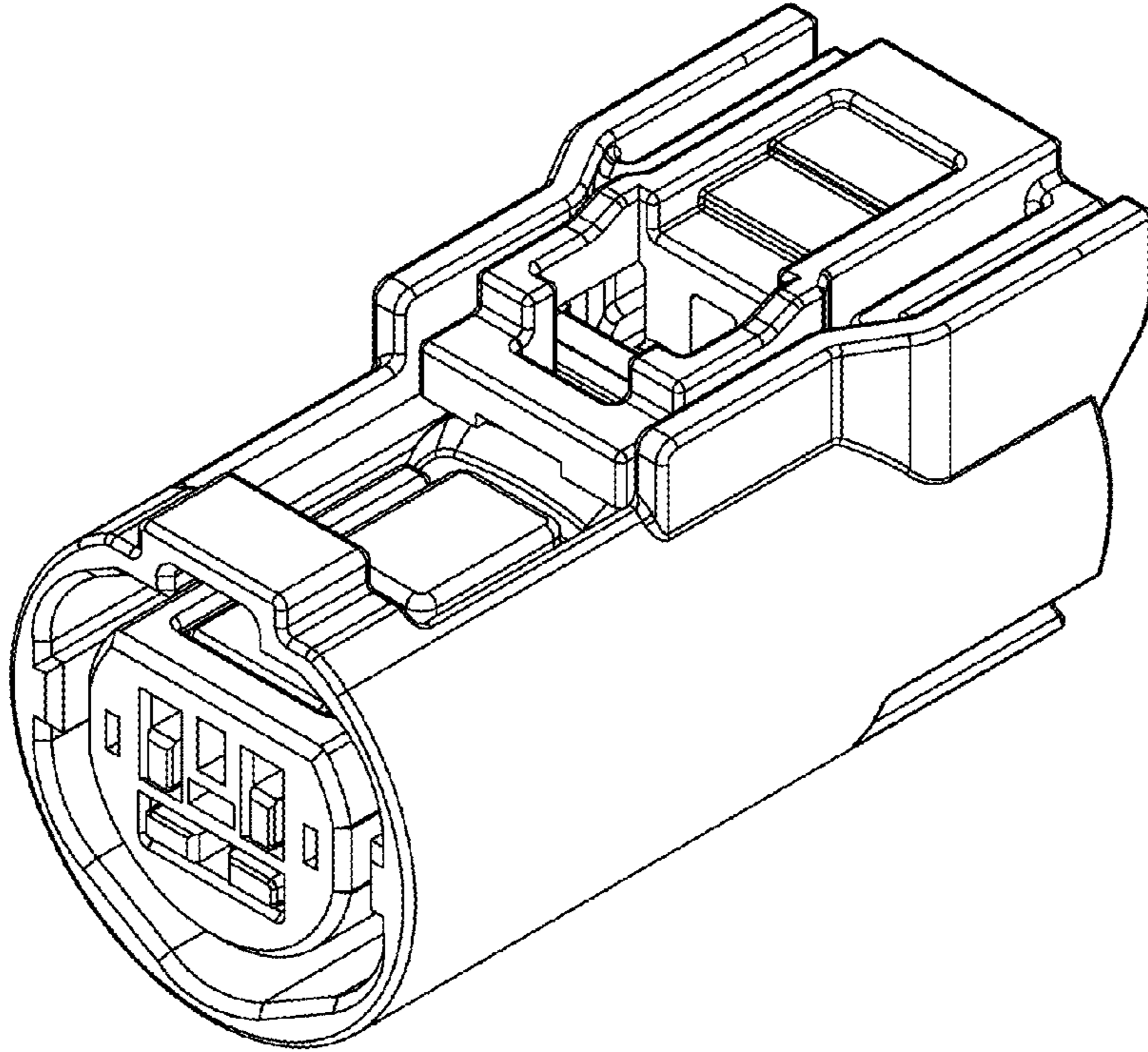


FIG. 2

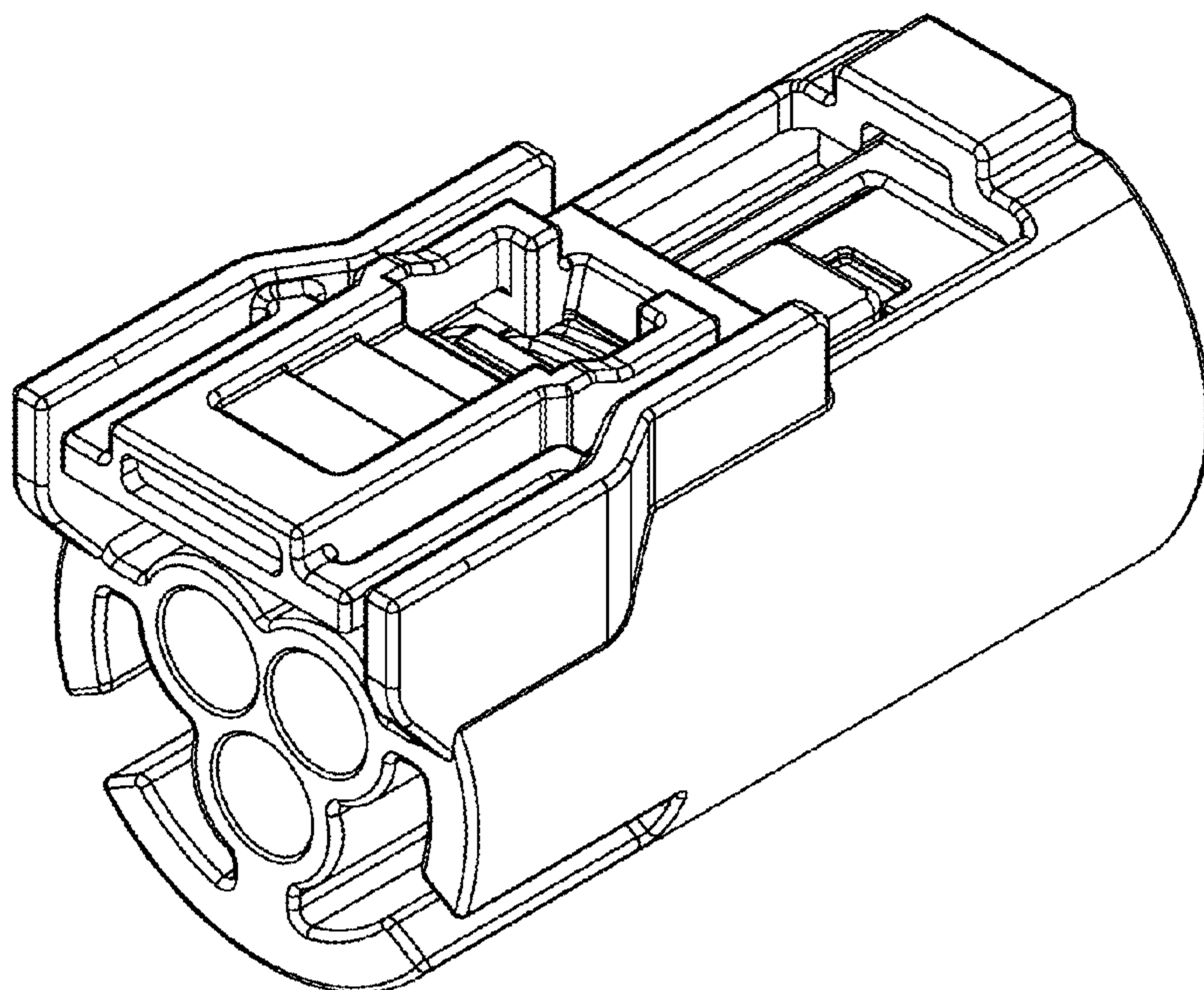


FIG. 3

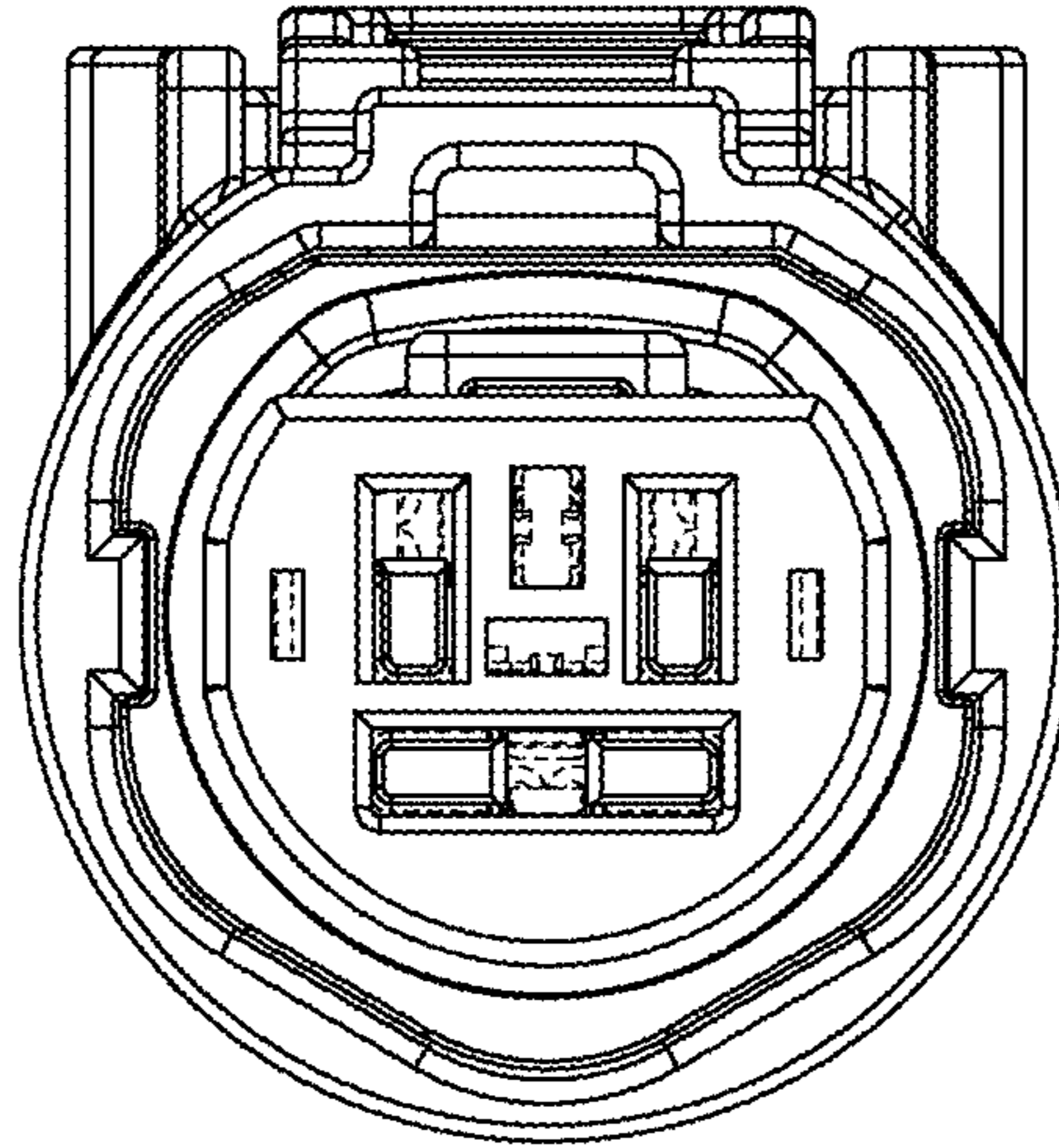


FIG. 4

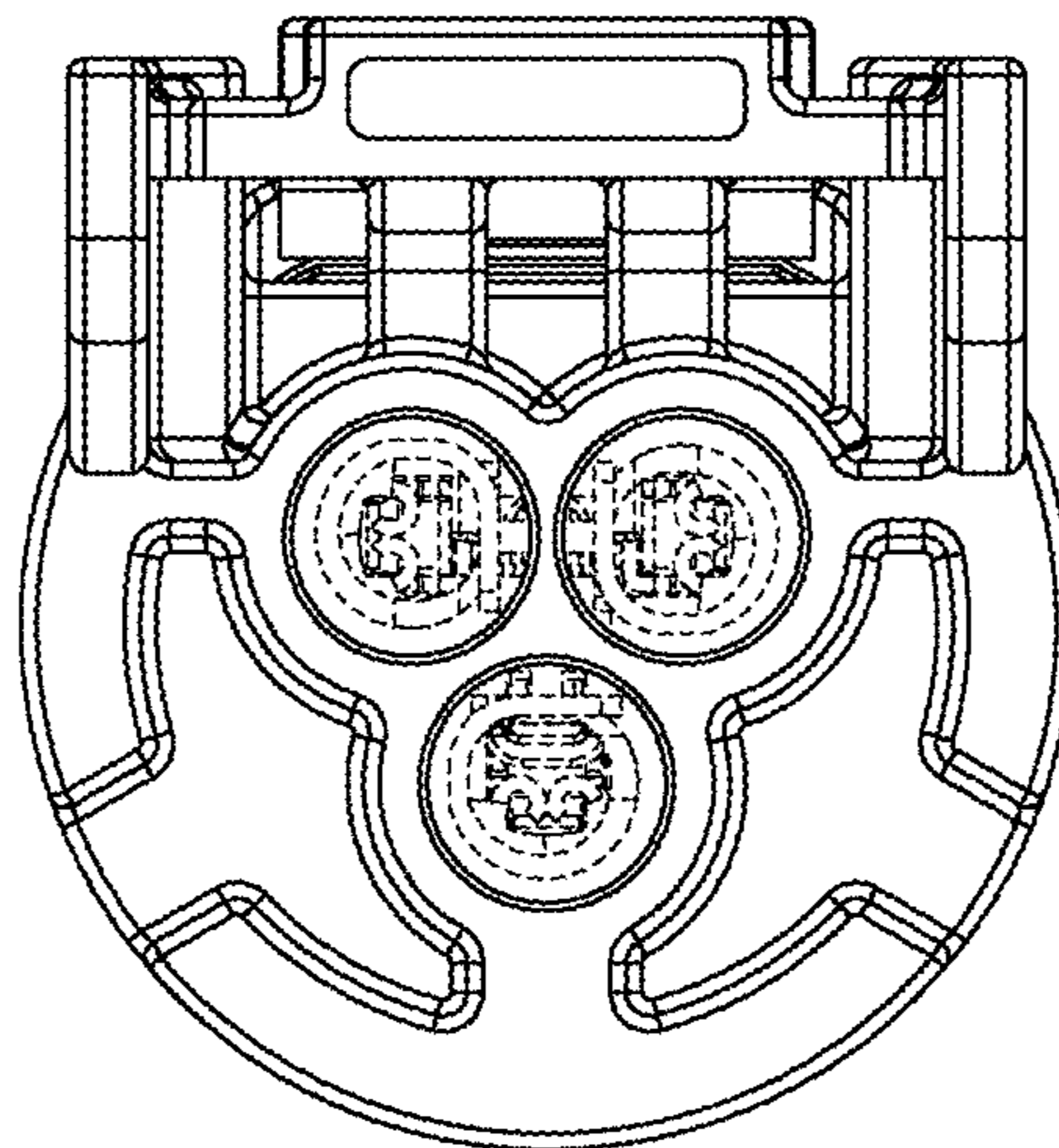


FIG. 5

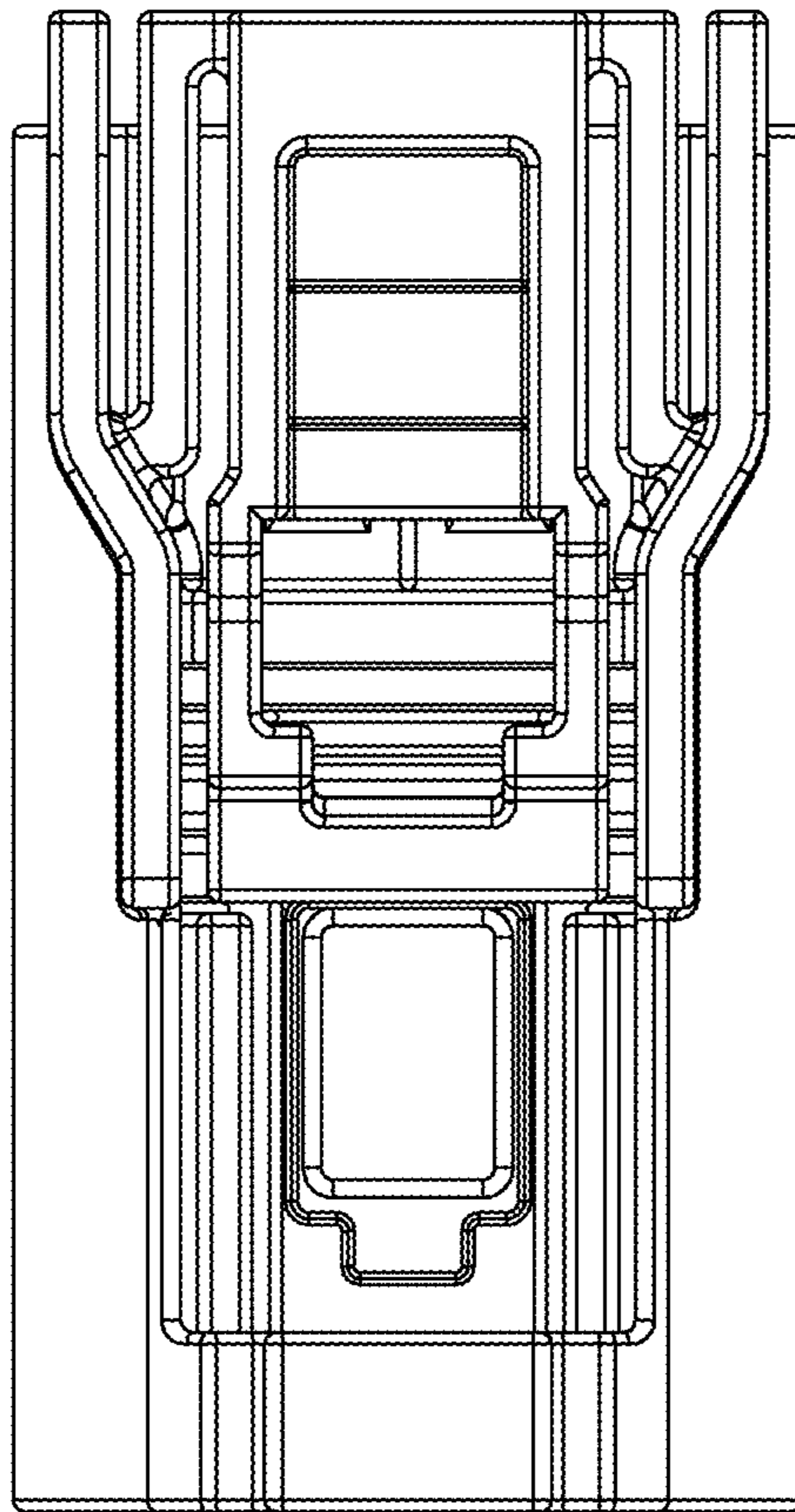


FIG. 6

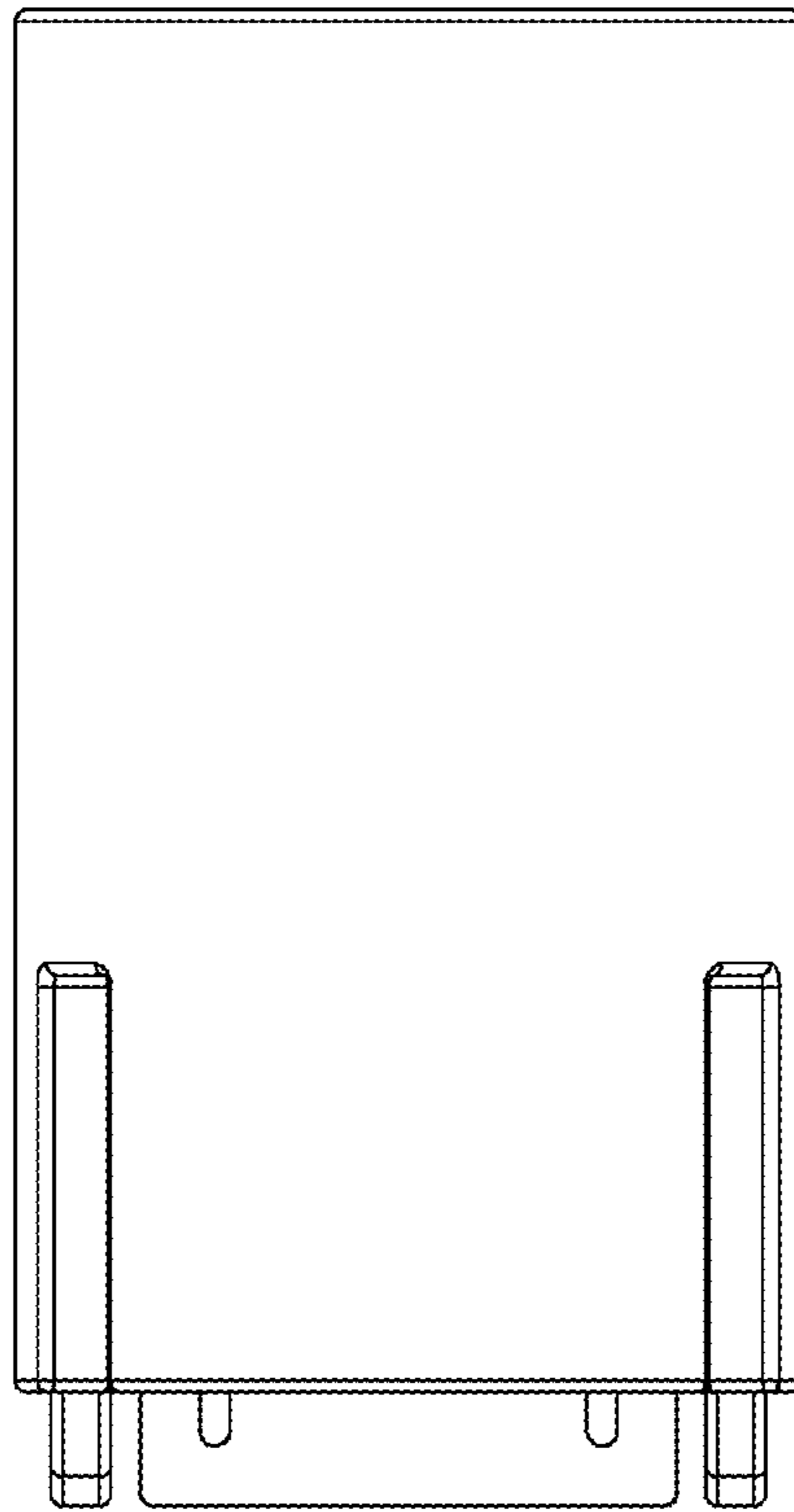


FIG. 7

