



US00D747270S

(12) **United States Design Patent**
Severing

(10) **Patent No.:** **US D747,270 S**
(45) **Date of Patent:** **** Jan. 12, 2016**

(54) **ELECTRICAL CONNECTOR**

(71) Applicant: **Phoenix Contact GmbH & Co. KG,**
Blomberg (DE)

(72) Inventor: **Sven Severing,** Bielefeld (DE)

(73) Assignee: **PHOENIX CONTACT GMBH & CO.**
KG, Blomberg (DE)

(**) Term: **15 Years**

(21) Appl. No.: **29/531,636**

(22) Filed: **Jun. 29, 2015**

Related U.S. Application Data

(62) Division of application No. 29/461,668, filed on Jul. 26, 2013, now Pat. No. Des. 739,822.

(30) **Foreign Application Priority Data**

Feb. 22, 2013 (EM) 002190058-0003
Feb. 22, 2013 (EM) 002190058-0004
Feb. 22, 2013 (EM) 002190058-0005
Feb. 22, 2013 (EM) 002190058-0006

(51) **LOC (10) Cl.** **13-03**

(52) **U.S. Cl.**
USPC **D13/146**

(58) **Field of Classification Search**

USPC D13/146, 147, 154, 184, 199
See application file for complete search history.

(56) **References Cited**

U.S. PATENT DOCUMENTS

D473,519 S 4/2003 Borst
D475,973 S 6/2003 Xu et al.
D618,619 S 6/2010 Walter
D624,503 S * 9/2010 Severing D13/147
D625,270 S 10/2010 Schafmeister
D670,653 S * 11/2012 Severing D13/146
D676,391 S 2/2013 Gassauer

* cited by examiner

Primary Examiner — Daniel Bui

(74) *Attorney, Agent, or Firm* — Leydig, Voit & Mayer, Ltd.

(57) **CLAIM**

The ornamental design for an electrical connector, as shown.

DESCRIPTION

FIG. 1 is a top right front perspective view of the electrical connector showing my new design;
FIG. 2 is a bottom plan view thereof;
FIG. 3 is a right side elevational view thereof;
FIG. 4 is a front elevational view thereof;
FIG. 5 is a left side elevational view thereof;
FIG. 6 is a rear elevational view thereof; and,
FIG. 7 is a top plan view thereof.

1 Claim, 7 Drawing Sheets

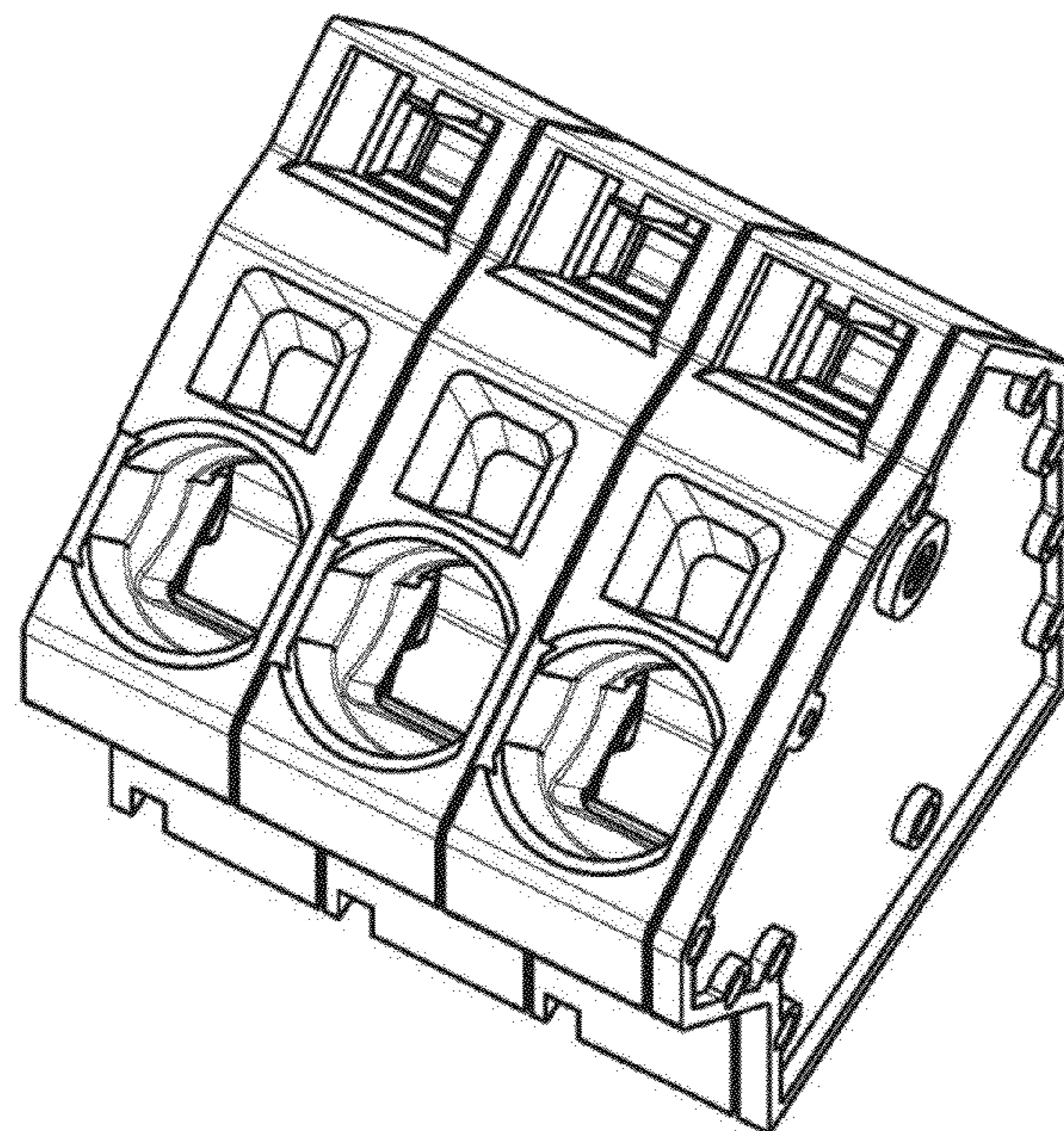


Fig. 1

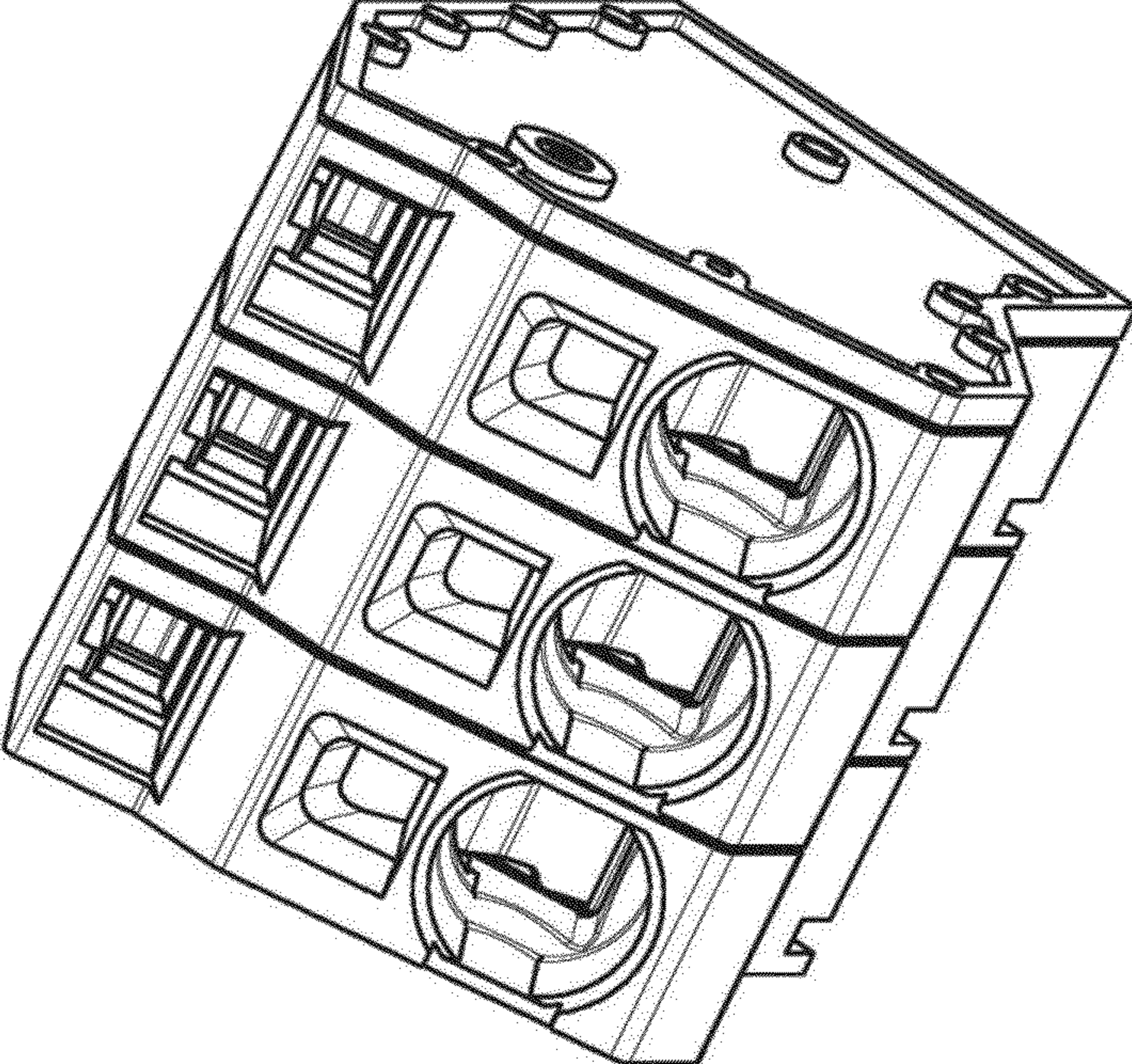


Fig. 2

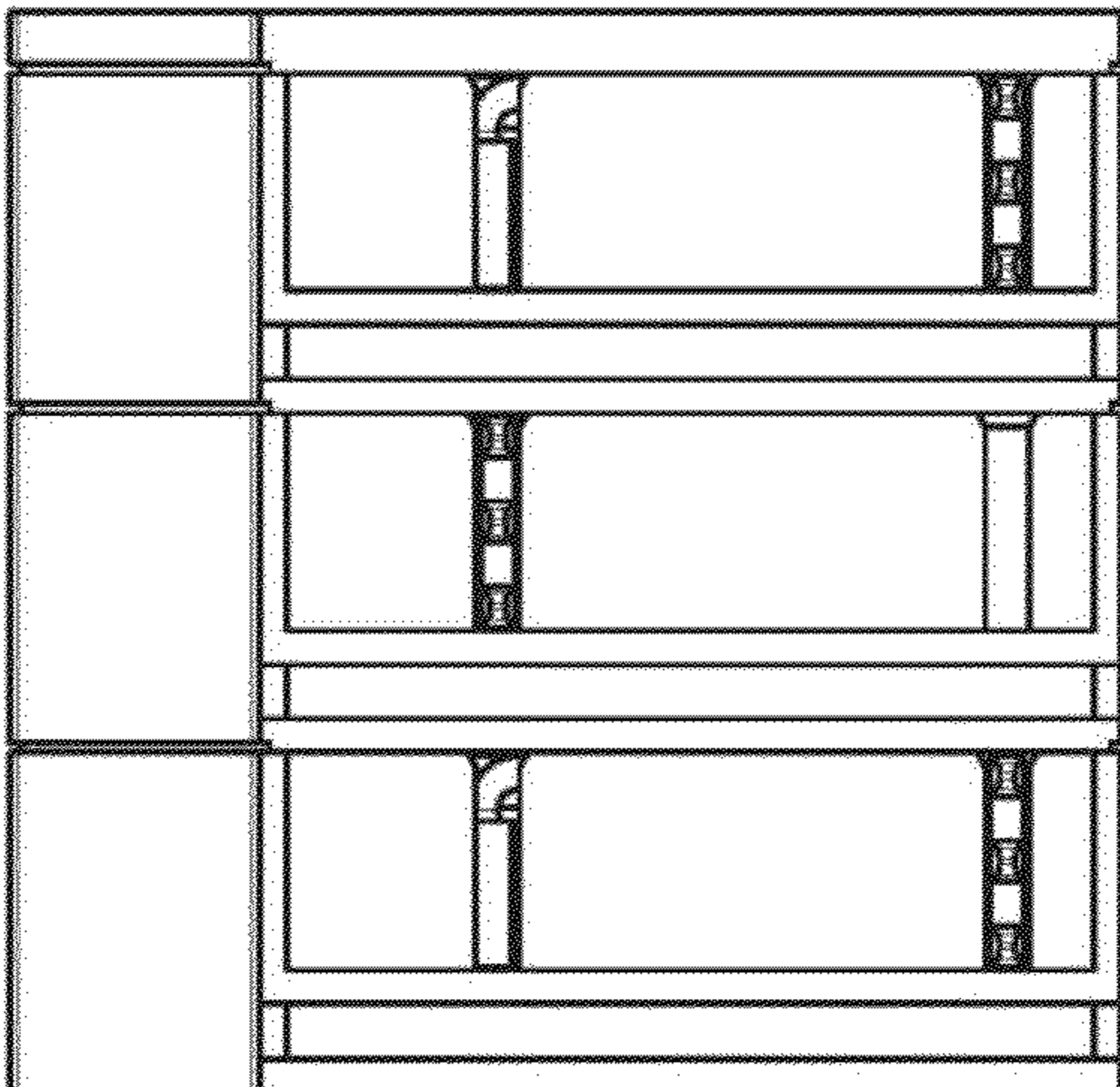


Fig. 3

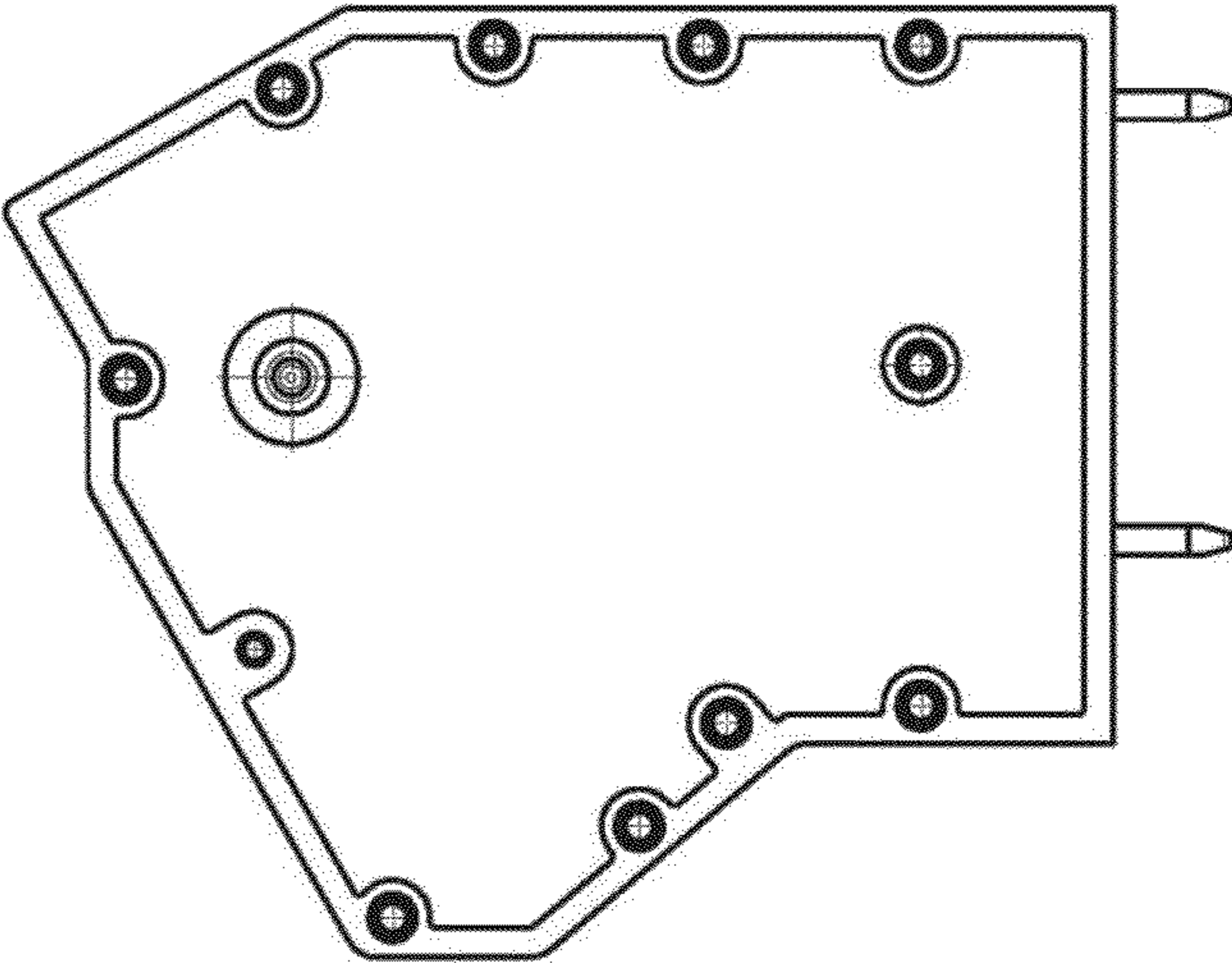


Fig. 4

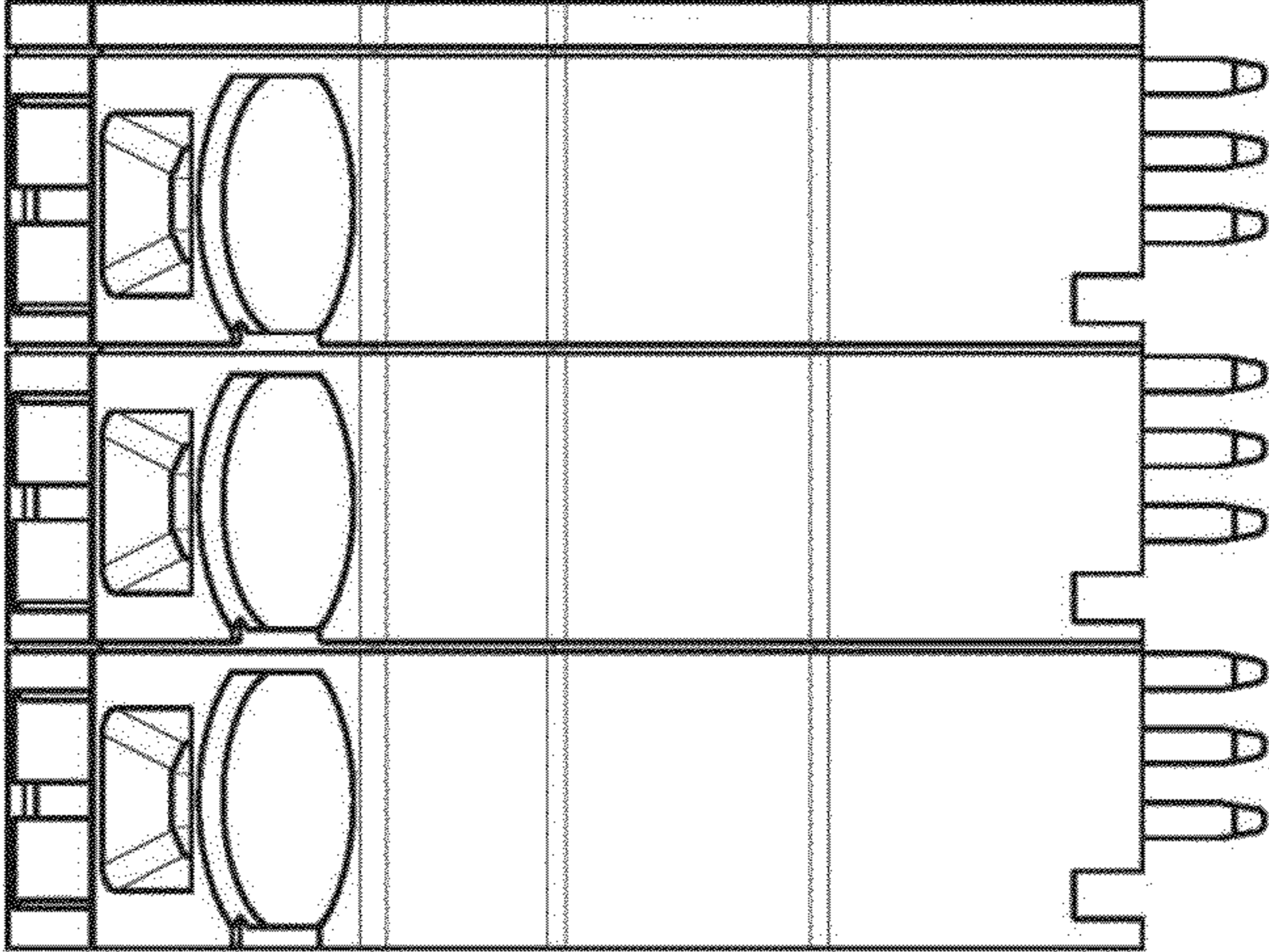


Fig. 5

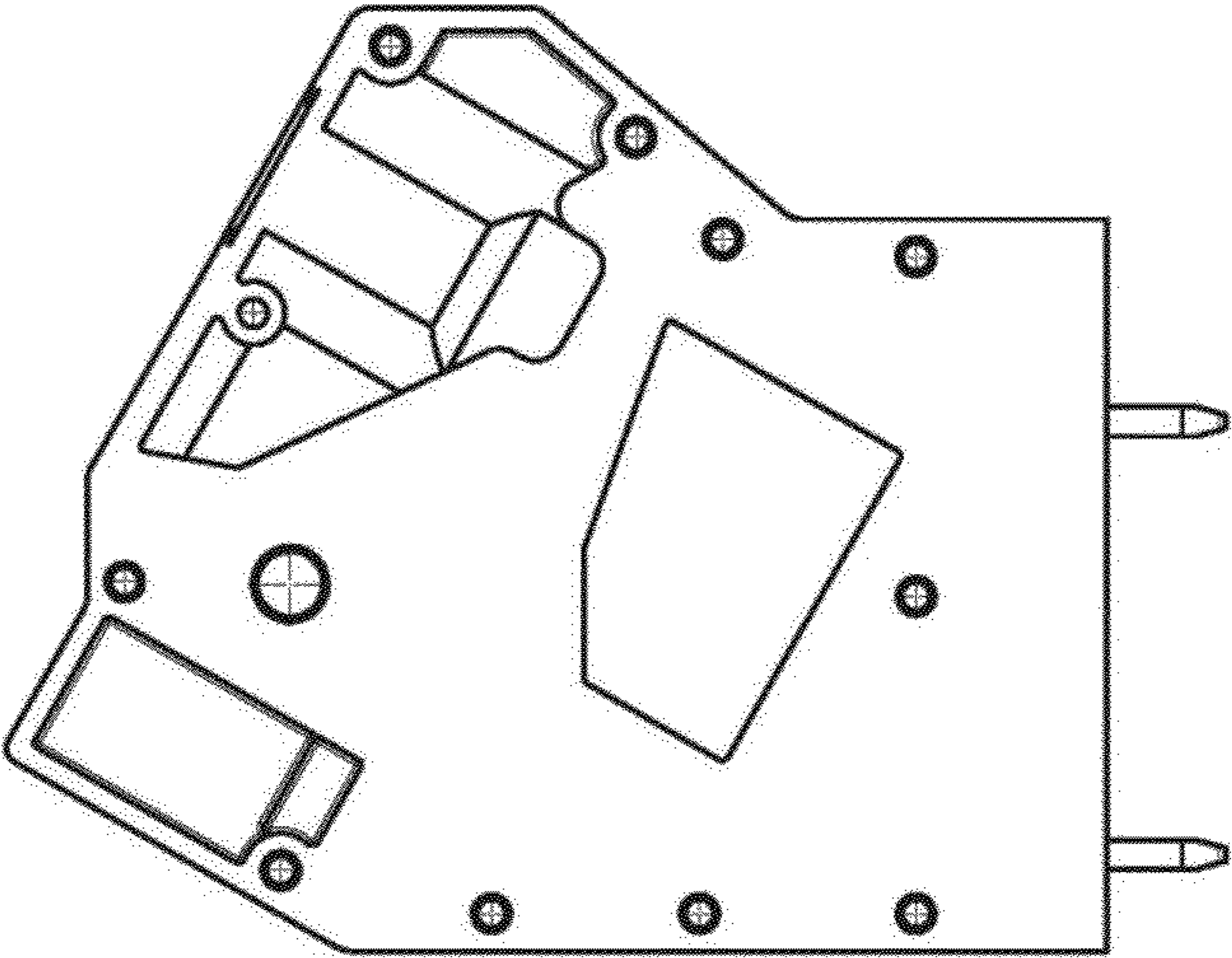


Fig. 6

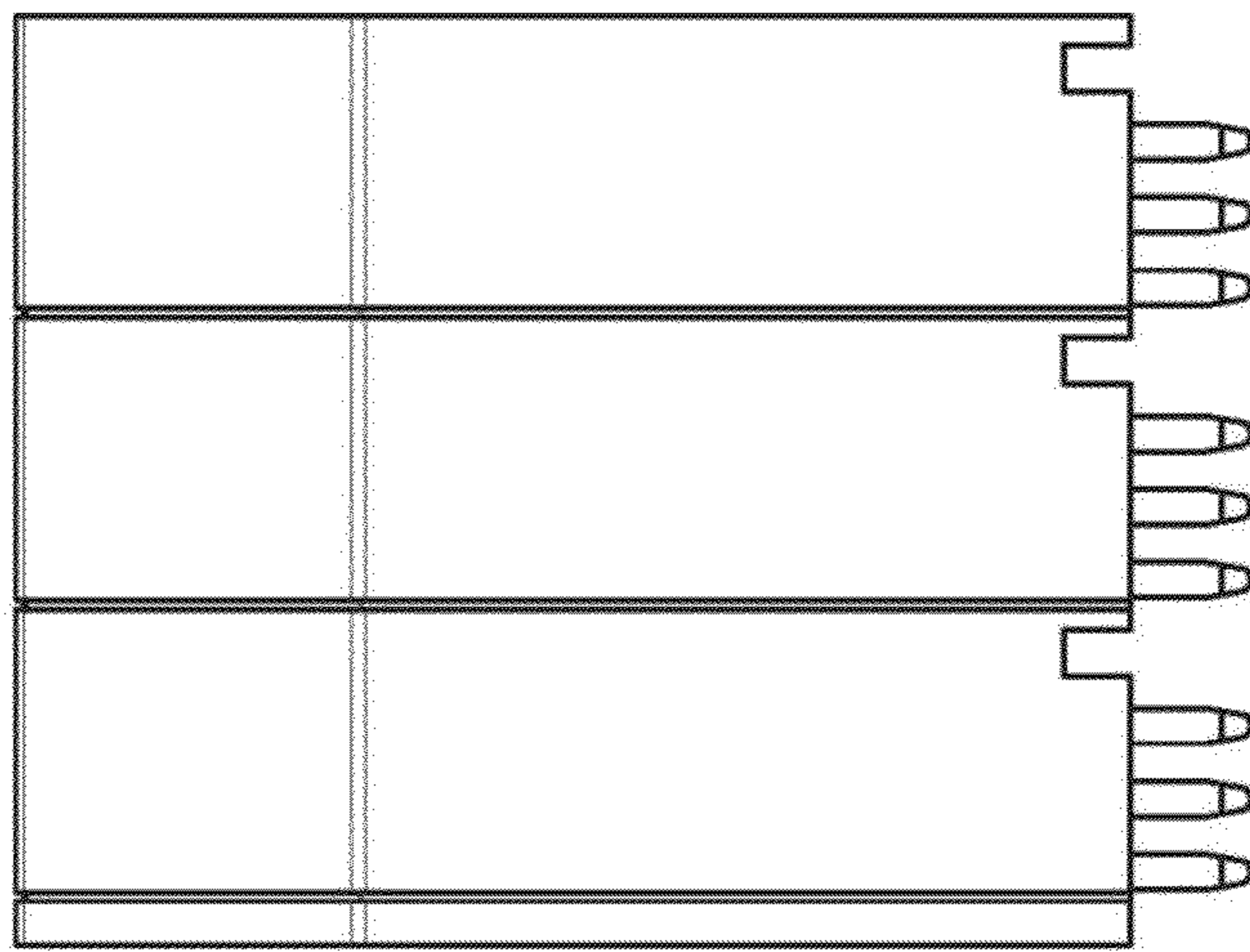


Fig. 7

