



US00D747269S

(12) **United States Design Patent**  
**Larrabee**

(10) **Patent No.:** **US D747,269 S**  
(45) **Date of Patent:** **\*\* Jan. 12, 2016**

- (54) **WALL MOUNTED DISTRIBUTION CENTER**
- (71) Applicant: **R.K. Larrabee Company, Inc.**,  
Livermore, CA (US)
- (72) Inventor: **Robert Larrabee**, Livermore, CA (US)
- (\*\*) Term: **14 Years**
- (21) Appl. No.: **29/504,165**
- (22) Filed: **Oct. 2, 2014**
- (51) **LOC (10) Cl.** ..... **13-03**
- (52) **U.S. Cl.**  
USPC ..... **D13/123; D13/122**
- (58) **Field of Classification Search**  
USPC ..... D13/110, 112, 114–116, 118, 123, 133,  
D13/158–160, 173, 184, 199; D15/33, 144;  
D34/12, 17, 20, 26; D6/329, 546, 549  
CPC ..... H02J 7/00; H02J 9/00; B23J 11/04;  
F02B 63/04; Y02E 60/12  
See application file for complete search history.

(56) **References Cited**

**U.S. PATENT DOCUMENTS**

D276,997 S *	1/1985	Mikado .....	D13/116
4,503,812 A *	3/1985	Eberhardt .....	F02M 31/125 123/142.5 E
D293,904 S *	1/1988	Murakami .....	D13/116
D303,470 S *	9/1989	Razumov .....	D6/546
D441,714 S *	5/2001	Yuzuriha .....	D13/116
D472,519 S *	4/2003	Buck .....	D13/114
D478,042 S *	8/2003	Yaguchi .....	D13/114
D484,565 S *	12/2003	Ariaz .....	D23/200
D486,447 S *	2/2004	Fan .....	D13/114
D494,929 S *	8/2004	Imai .....	D13/116
D501,182 S *	1/2005	Buck .....	D13/110
D507,529 S *	7/2005	Lee .....	D13/116
D563,320 S *	3/2008	Buck .....	D13/116
D575,732 S *	8/2008	Wu .....	D13/114
D580,860 S *	11/2008	Xi-Ren .....	D13/122
D597,944 S *	8/2009	Takamura .....	D13/116
D617,269 S *	6/2010	van Deursen .....	D13/116

D638,794 S *	5/2011	Kato .....	D13/116
D641,768 S *	7/2011	Bender .....	D15/144
D644,174 S *	8/2011	Fujiki .....	D13/116
D675,984 S *	2/2013	Shokrzadeh .....	D13/122
D676,383 S *	2/2013	Awata .....	D13/116

(Continued)

**OTHER PUBLICATIONS**

Honda EG6500, dated Feb. 9, 2012, [online], [site visited Sep. 30, 2015]. Available from Internet, <URL: <http://powerequipment.honda.com/generators/models/eg6500>>.\*

*Primary Examiner* — Thomas Johannes  
*Assistant Examiner* — Shawn T Gingrich

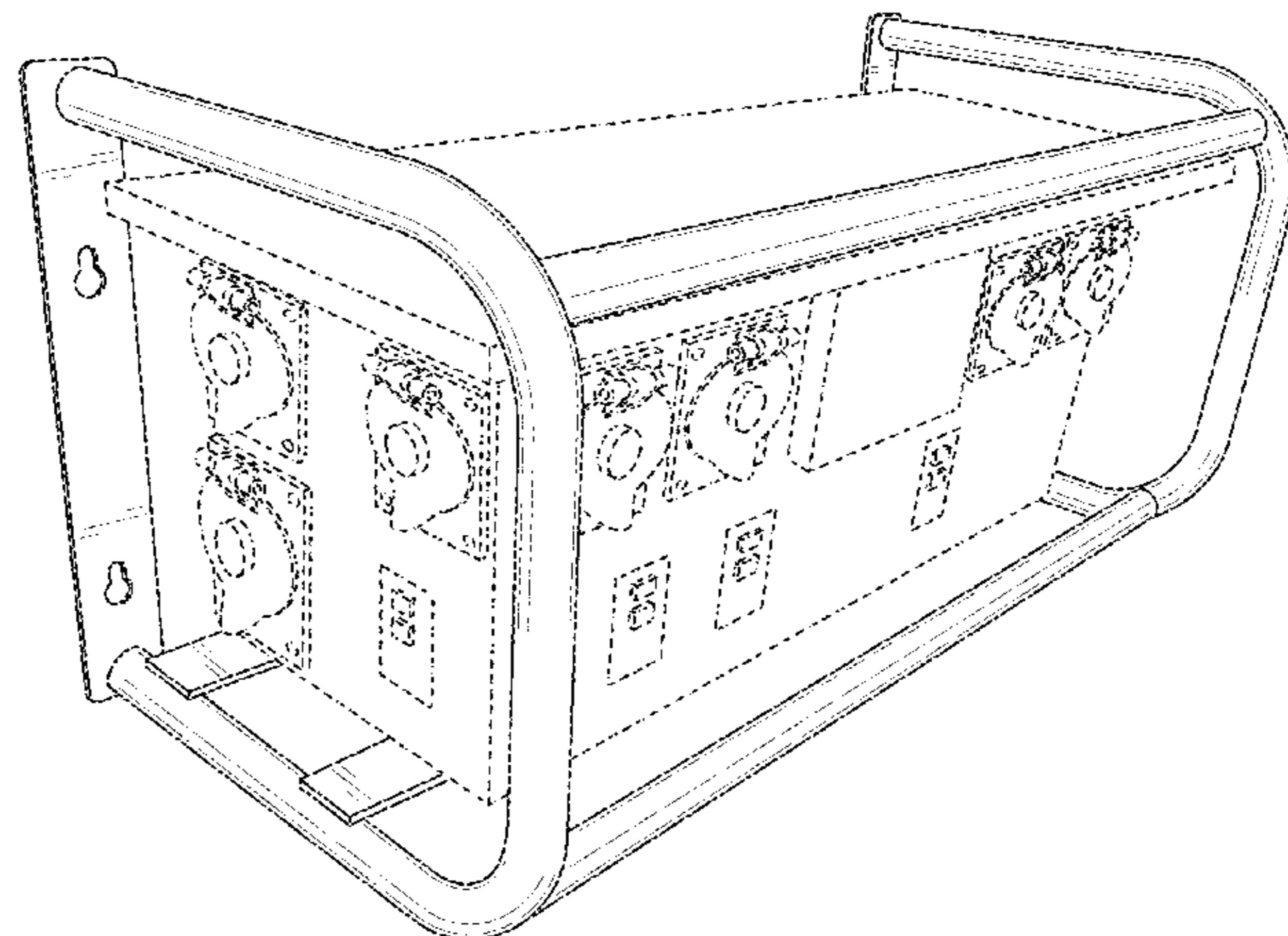
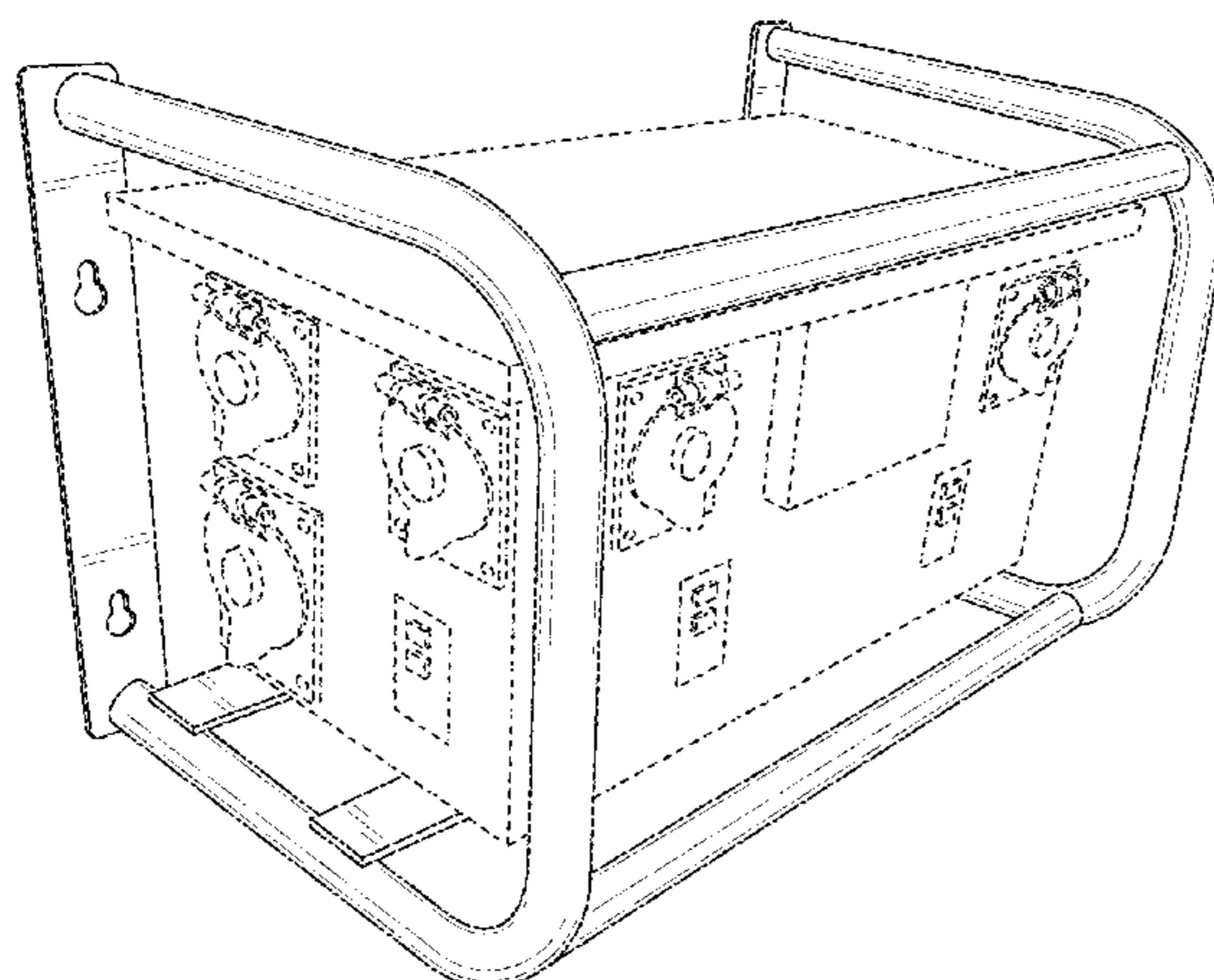
(57) **CLAIM**

The ornamental design for a wall mounted distribution center, as shown and described.

**DESCRIPTION**

FIG. 1 is a perspective view of a new and ornamental design for a wall mounted distribution center;  
 FIG. 2 is a front view thereof;  
 FIG. 3 is a rear view thereof;  
 FIG. 4 is a left side view thereof;  
 FIG. 5 is a right side view thereof;  
 FIG. 6 is a top plan thereof; and  
 FIG. 7 is a bottom plan thereof.  
 FIG. 8 is a perspective view of a second embodiment of a wall mounted distribution center;  
 FIG. 9 is a front view thereof;  
 FIG. 10 is a rear view thereof;  
 FIG. 11 is a left side view thereof;  
 FIG. 12 is a right side view thereof;  
 FIG. 13 is a top plan thereof; and,  
 FIG. 14 is a bottom plan thereof.  
 The broken line portion of the figure drawings is included to show portions of the article that forms no part of the claimed design.

**1 Claim, 14 Drawing Sheets**



(56)

**References Cited**

U.S. PATENT DOCUMENTS

			2010/0084387 A1*	4/2010	Bender .....	B23K 9/1006
						219/133
			2012/0277978 A1*	11/2012	Mizuguchi .....	F02B 63/04
						701/103
	D707,414 S *	6/2014	Choi .....			D34/12
	2010/0060015 A1*	3/2010	Buker .....			F02B 63/04
						290/1 R

\* cited by examiner

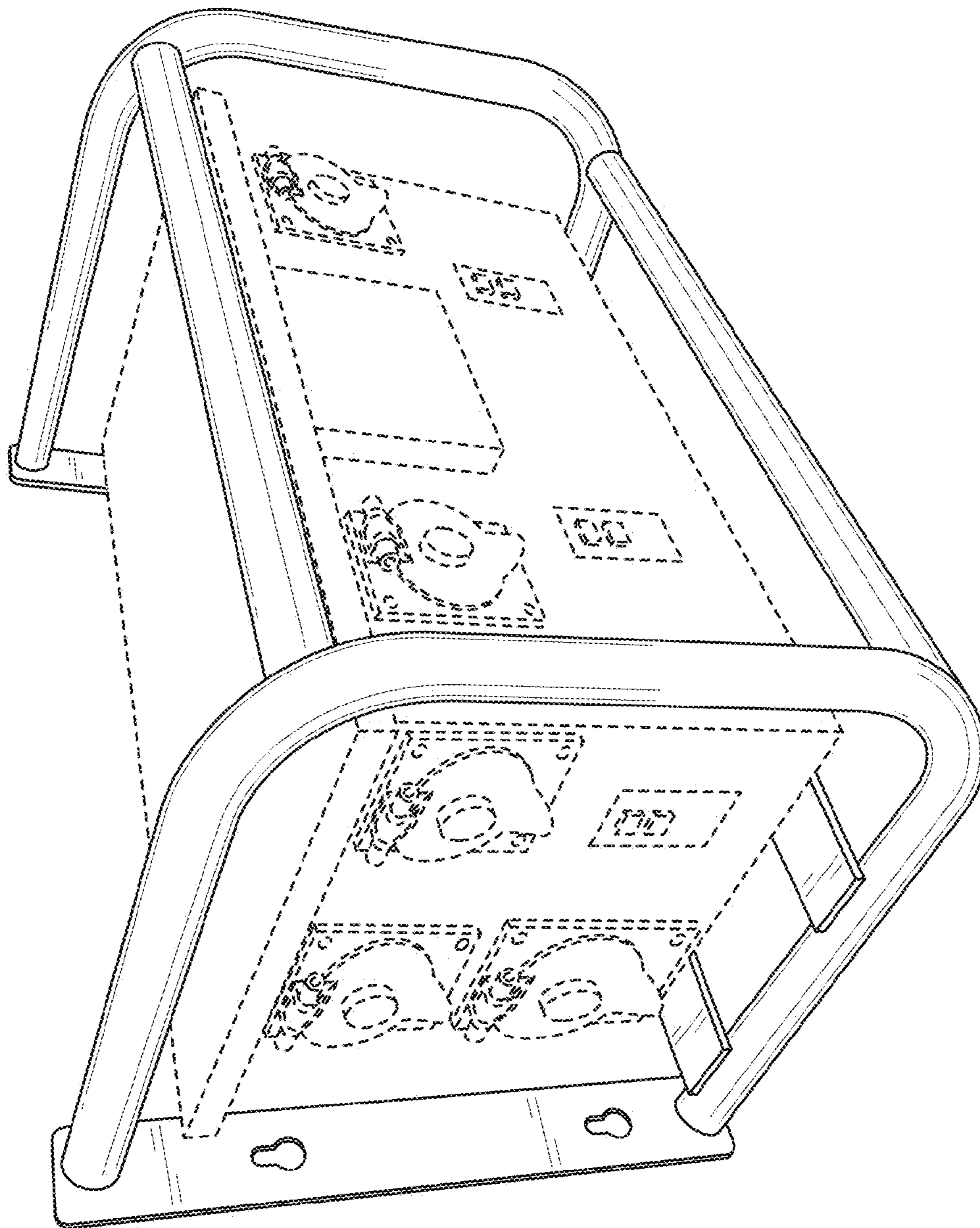


FIG. 1



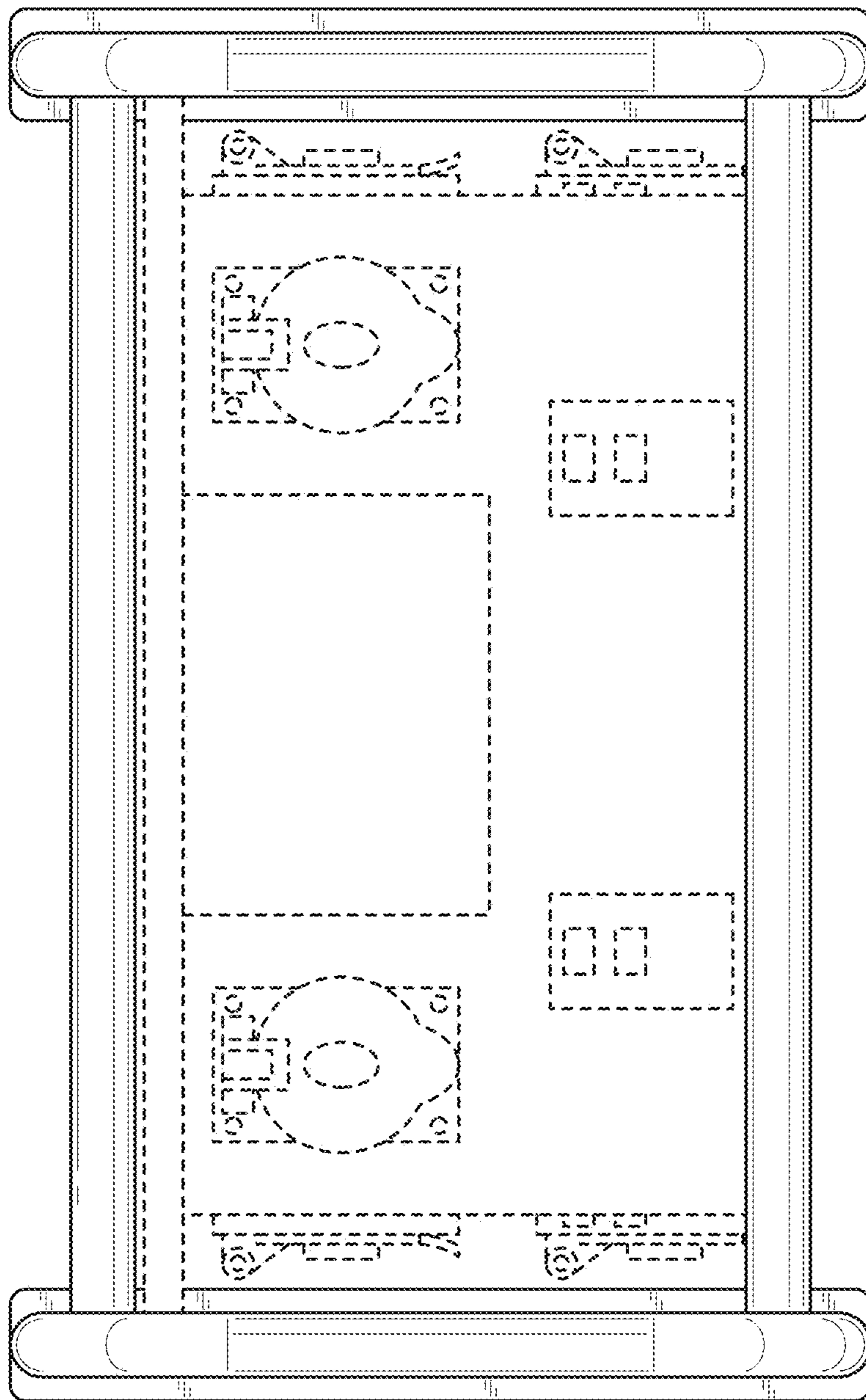


FIG. 2

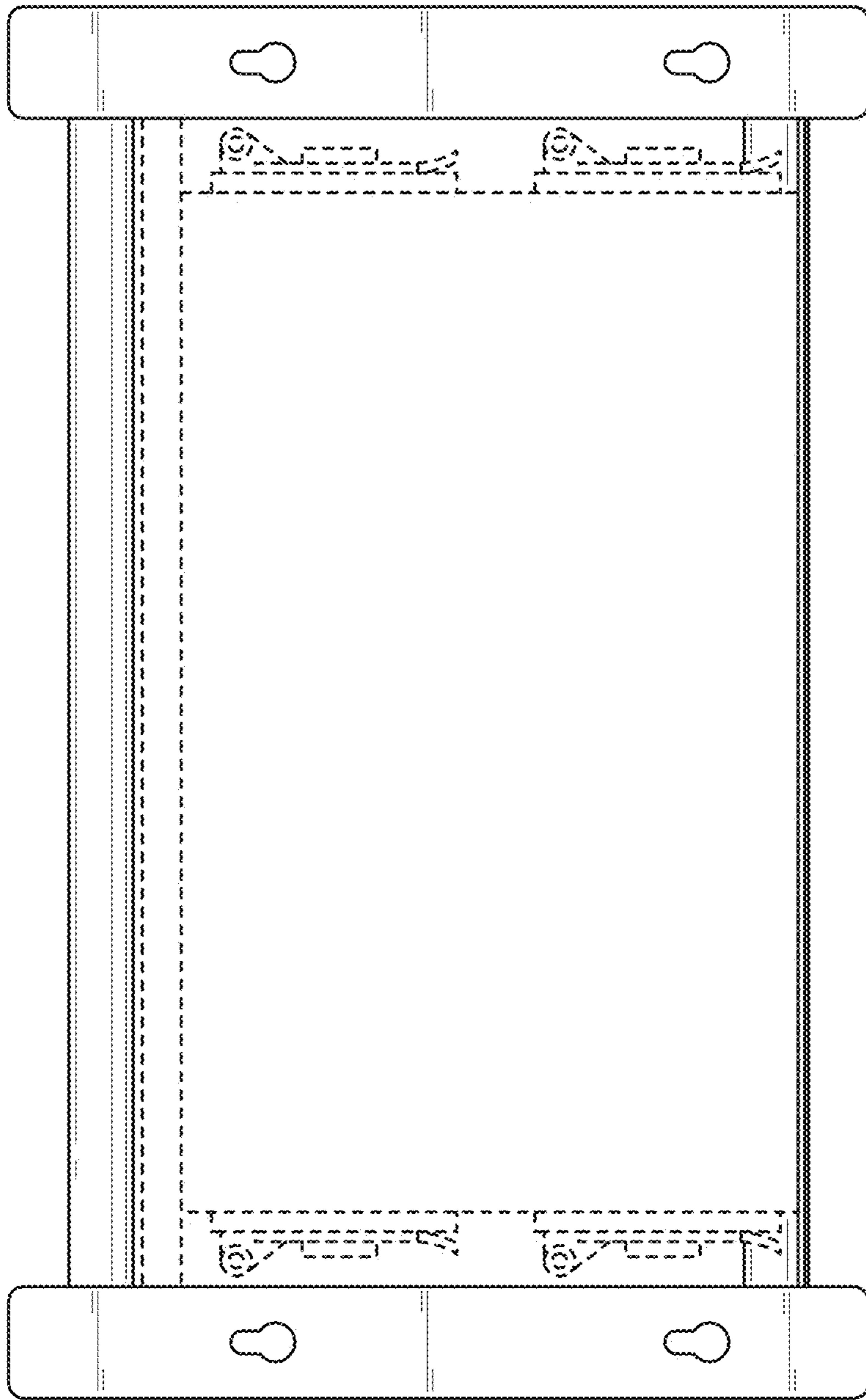


FIG. 3

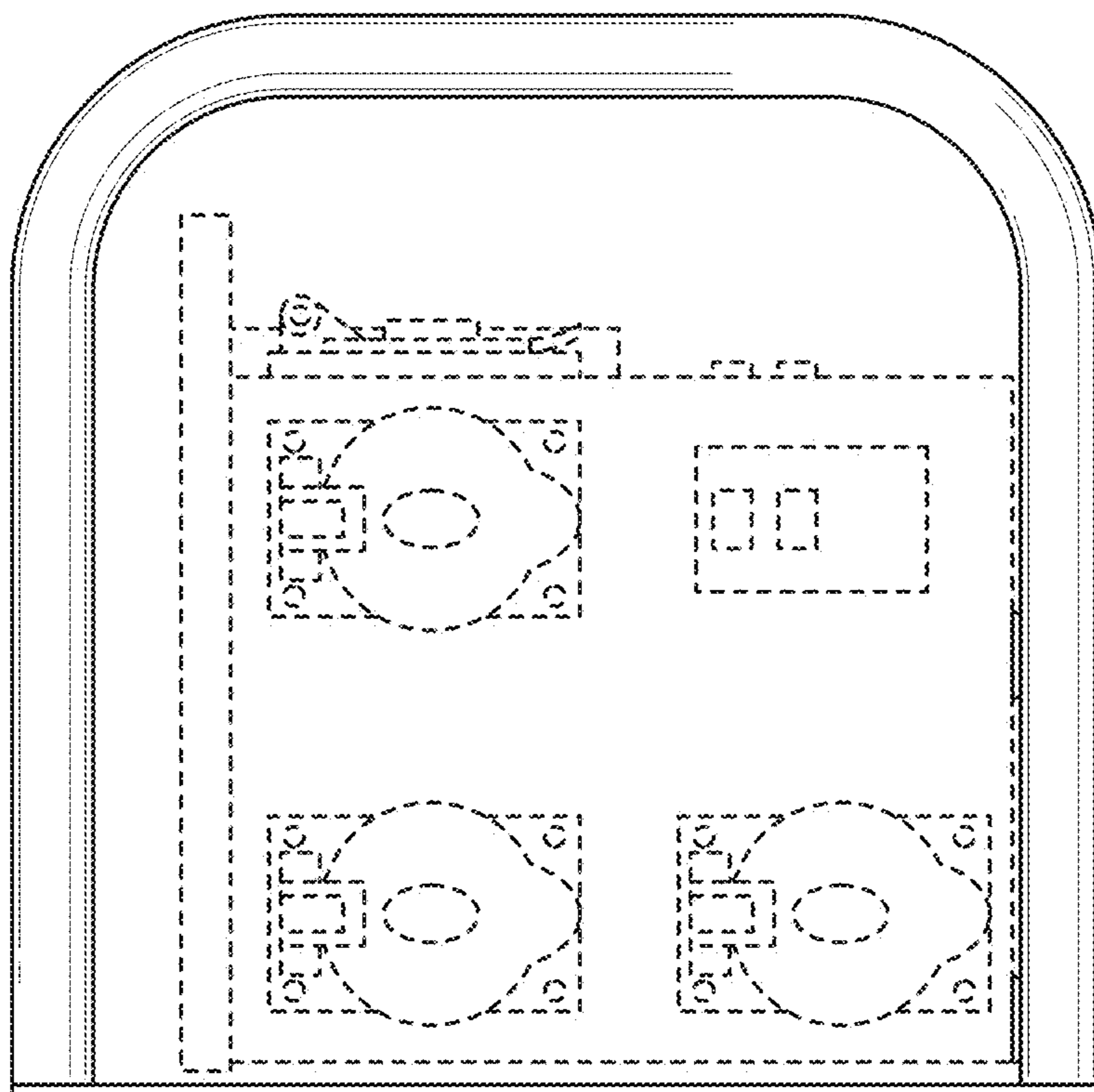


FIG. 4

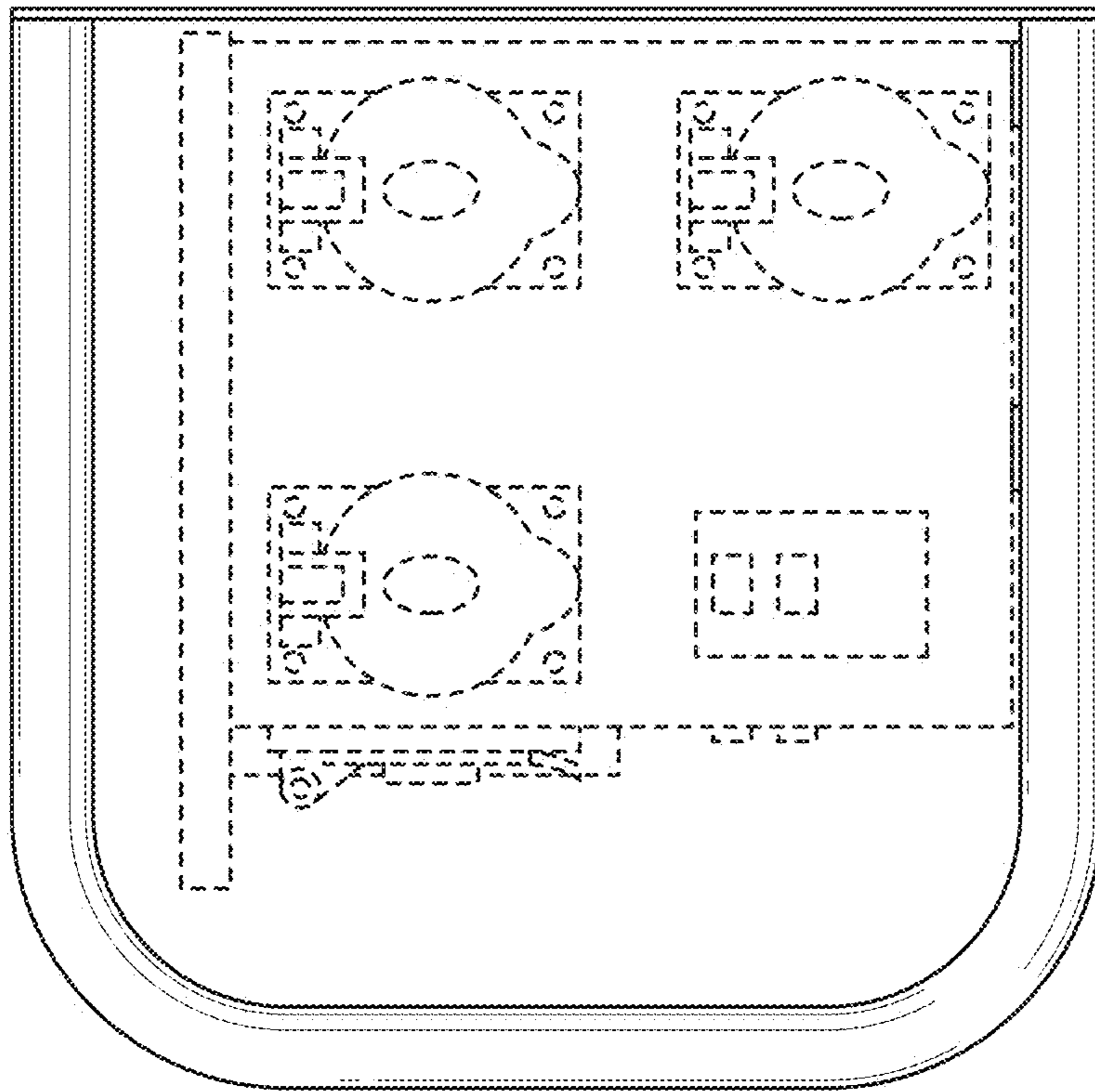


FIG. 5

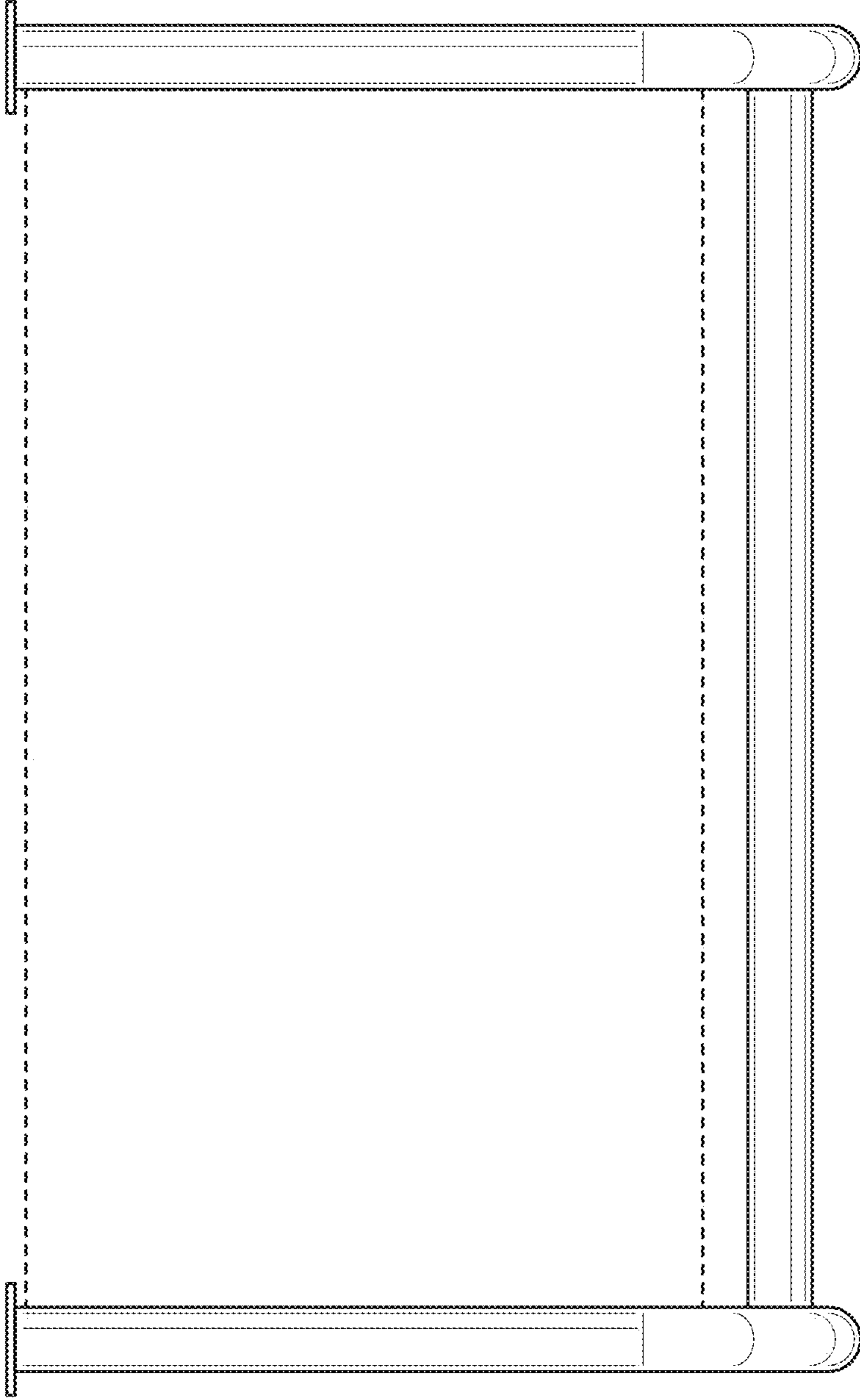


FIG. 6



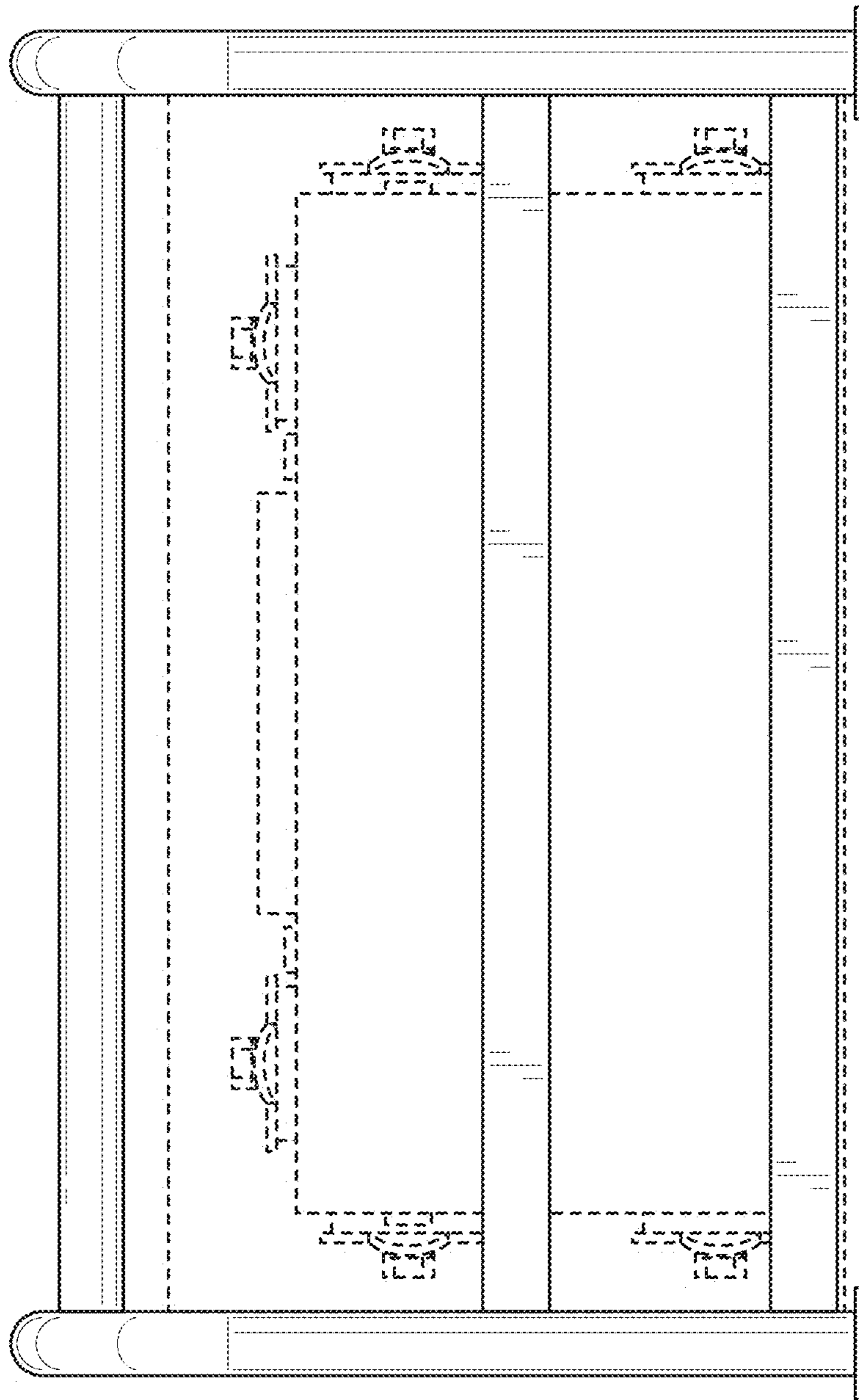


FIG. 7



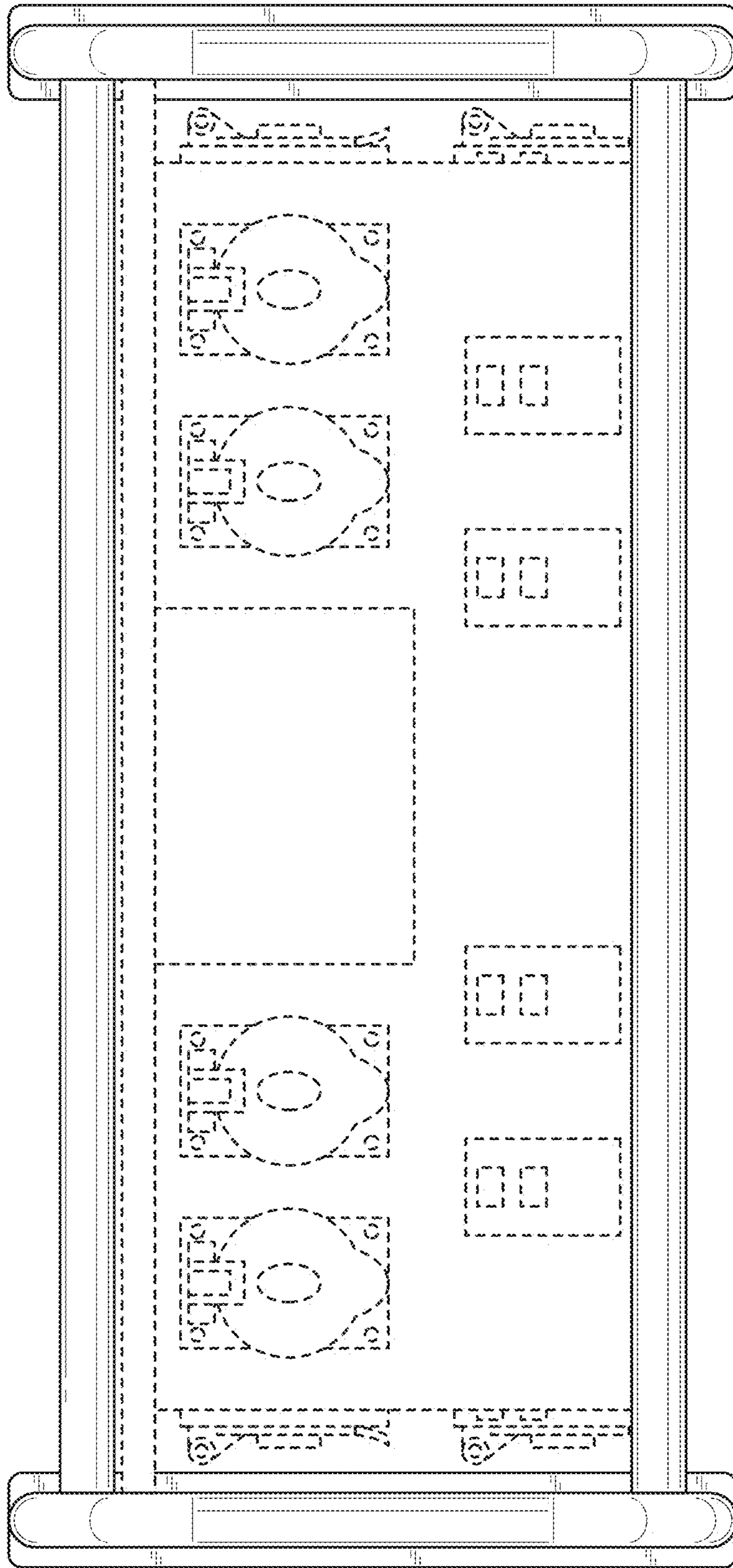


FIG. 9

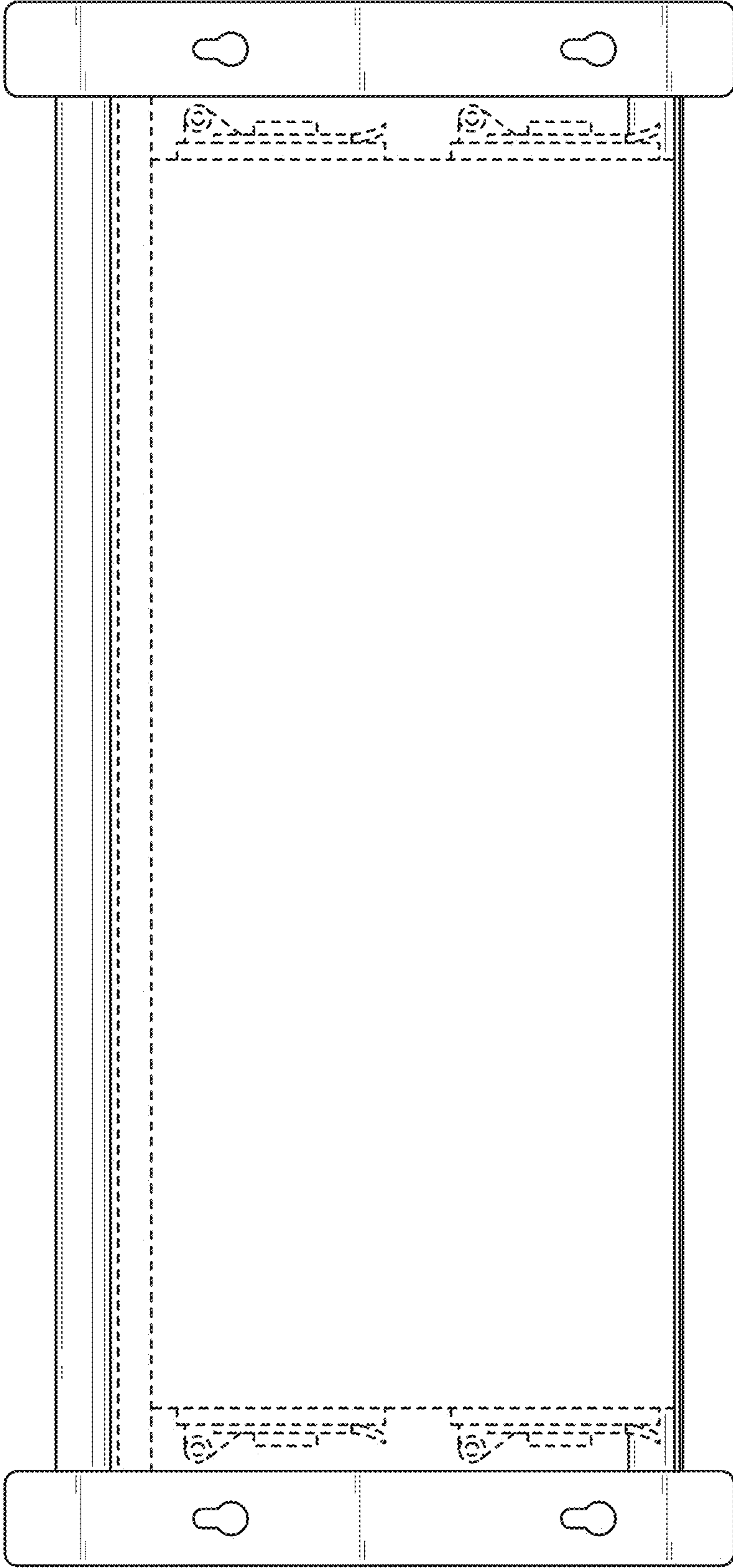


FIG. 10



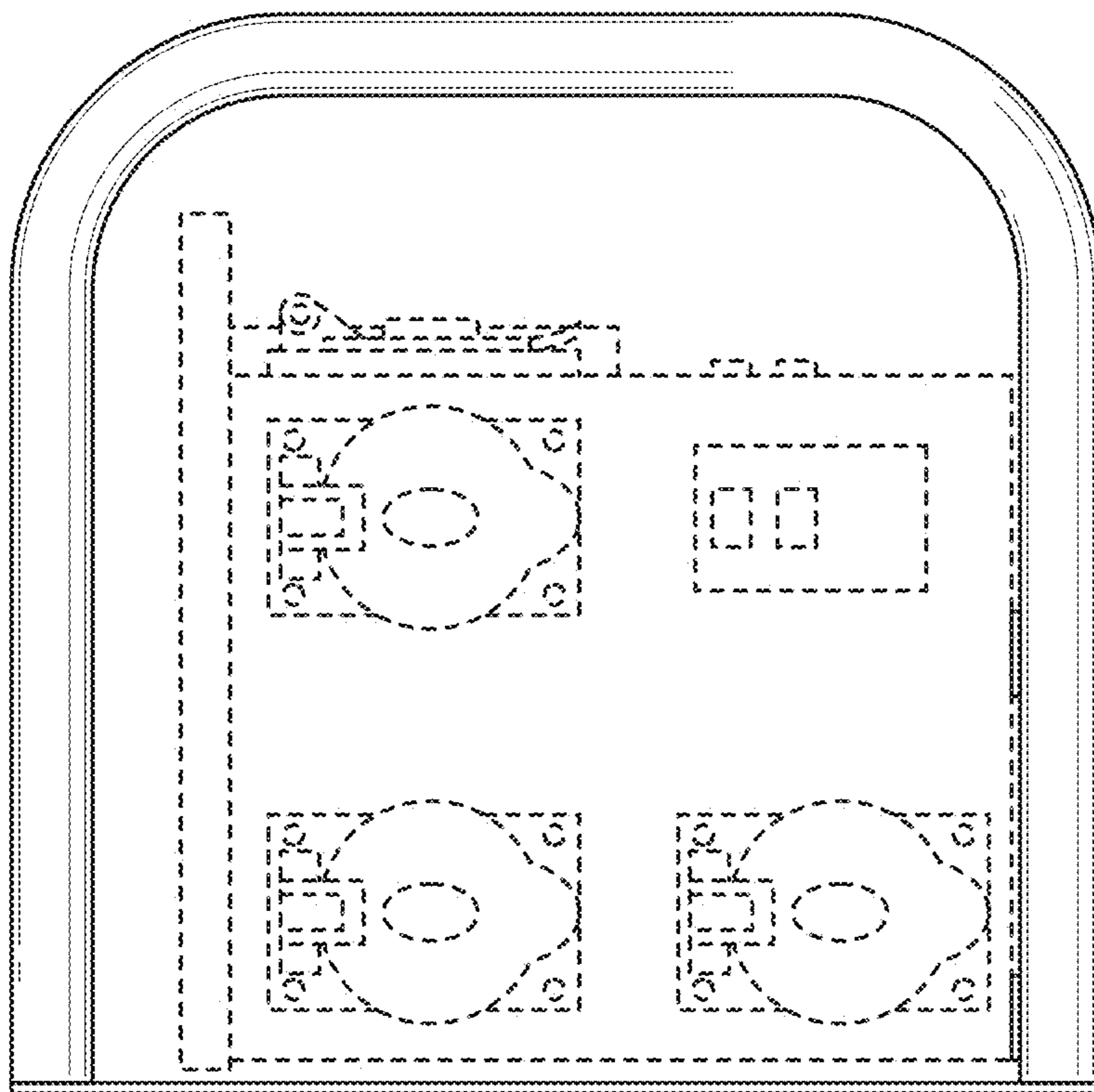


FIG. 11



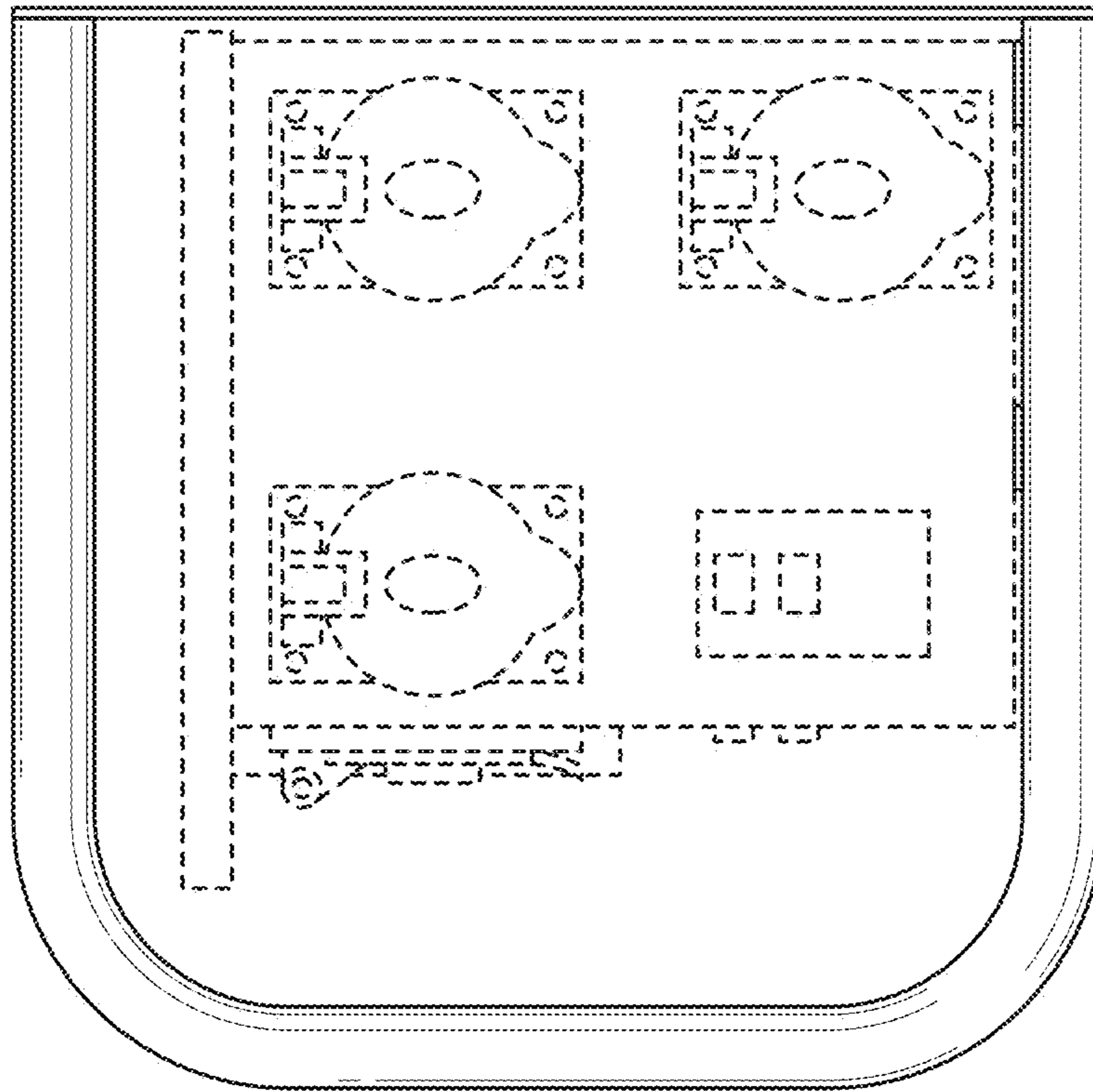


FIG. 12

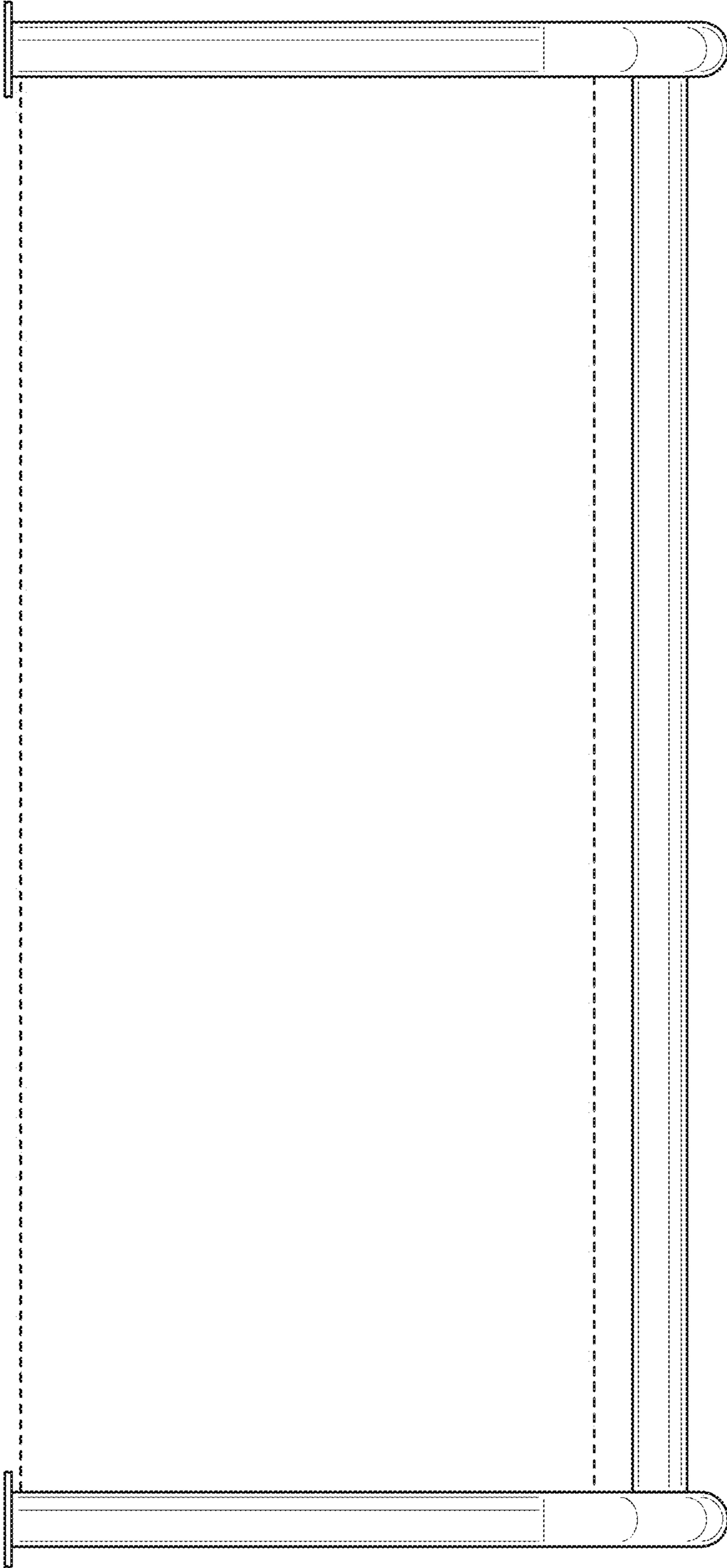


FIG. 13

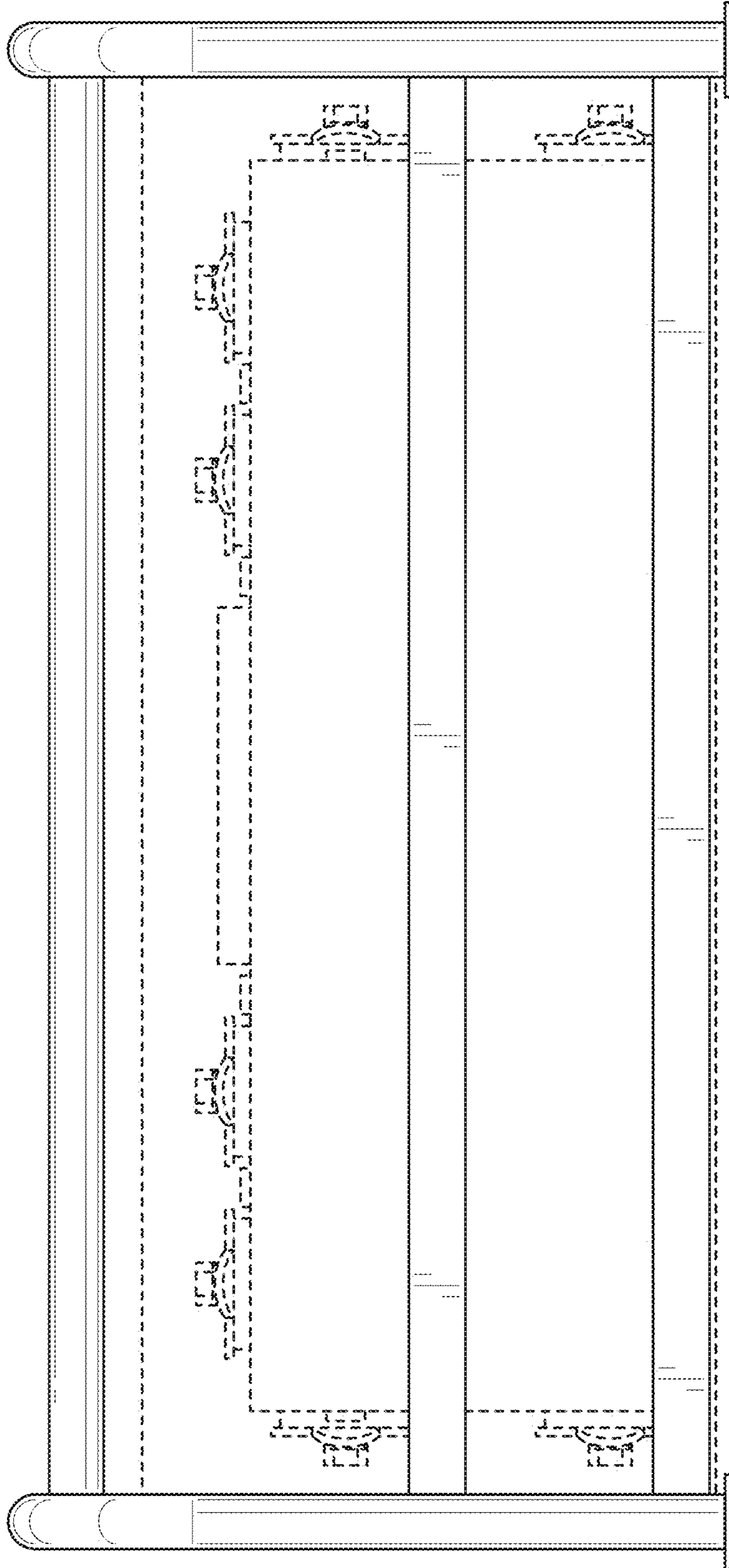


FIG. 14