



US00D747267S

(12) **United States Design Patent**
Aumiller et al.

(10) **Patent No.:** **US D747,267 S**
(45) **Date of Patent:** **** *Jan. 12, 2016**

(54) **CHARGER FOR AN ELECTRONIC DEVICE**

(56) **References Cited**

(71) Applicant: **Samsung Electronics Co., Ltd.**,
Suwon-si (KR)

U.S. PATENT DOCUMENTS

(72) Inventors: **Curtis Aumiller**, San Jose, CA (US);
Pranav Mistry, Cupertino, CA (US);
Chengyuan Wei, Dalian (CN)

D221,081 S *	7/1971	Kahn	D13/110
D300,678 S	4/1989	Barrault		
D503,717 S *	4/2005	Kawamura	D14/432
D526,973 S	8/2006	Gates et al.		
D537,409 S	2/2007	Suzuki		
D550,614 S	9/2007	Fee et al.		
D558,207 S *	12/2007	Ikeda et al.	D14/434
D558,208 S *	12/2007	Ikeda et al.	D14/434
D558,209 S *	12/2007	Ikeda et al.	D14/434
D570,773 S *	6/2008	Lloyd et al.	D13/110
D575,289 S	8/2008	Kuo et al.		
D585,898 S	2/2009	Skurdai		
D602,858 S *	10/2009	Ellis et al.	D13/108

(73) Assignee: **SAMSUNG ELECTRONICS CO., LTD.**, Suwon-Si (KR)

(*) Notice: This patent is subject to a terminal disclaimer.

(**) Term: **14 Years**

(Continued)

(21) Appl. No.: **29/520,438**

OTHER PUBLICATIONS

(22) Filed: **Mar. 13, 2015**

Robert V, Apple Watch, blog, Sep. 11, 2014, Dugom Pinoy, <http://www.dugompinoy.com/2014/09/this-is-apple-watch.html>.

Related U.S. Application Data

(63) Continuation-in-part of application No. 29/506,263, filed on Oct. 14, 2014, now Pat. No. Des. 727,260, which is a continuation of application No. 29/449,567, filed on Mar. 15, 2013, now Pat. No. Des. 718,712.

Primary Examiner — Rosemary K Tarcza

(74) *Attorney, Agent, or Firm* — McAndrews Held & Malloy, Ltd.

(51) **LOC (10) Cl.** **13-02**

(57) **CLAIM**

The ornamental design for a charger for an electronic device, as shown and described.

(52) **U.S. Cl.**

USPC **D13/108**

DESCRIPTION

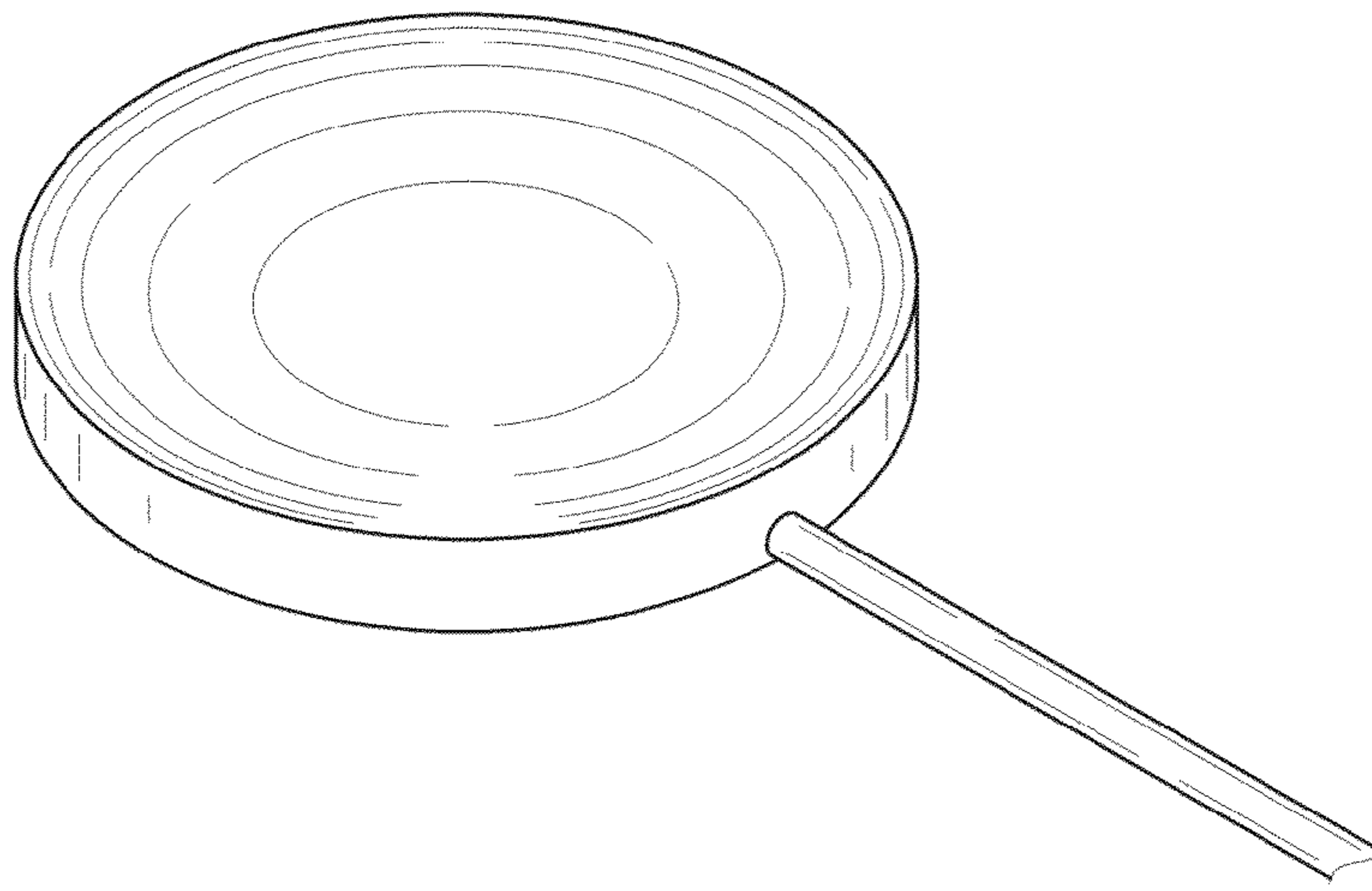
(58) **Field of Classification Search**

USPC D13/107-110, 118-119, 182, 199;
D14/251, 253, 432, 434; 320/107-115
CPC Y02E 60/12; Y02T 90/14; Y02T 90/122;
Y02T 90/128; Y02T 90/163; H02J 7/025;
H02J 7/0042; H02J 7/0044; H02J 7/0045;
H02J 7/0003; H01F 38/14; H01R 13/6675;
H01M 2/1022; H01M 2/1055; H01M 10/44;
H01M 10/46; H01M 10/425; B60L 11/182

See application file for complete search history.

FIG. 1 is a top right front perspective view of a charger for an electronic device showing our new design;
FIG. 2 is a front view thereof;
FIG. 3 is a rear view thereof;
FIG. 4 is a left-side elevation view thereof;
FIG. 5 is a right-side elevation view thereof;
FIG. 6 is a top plan view thereof;
FIG. 7 is a bottom plan view thereof; and,
FIG. 8 is a right-side elevation cross-section view thereof, taken along line 8-8 of FIG. 6.

1 Claim, 4 Drawing Sheets



(56)

References Cited

U.S. PATENT DOCUMENTS

D620,884 S *	8/2010	Lee et al.	D13/108	D687,772 S *	8/2013	Chikos et al.	D13/108
D625,262 S *	10/2010	Lee et al.	D13/118	D694,182 S *	11/2013	Lee et al.	D13/108
D627,718 S *	11/2010	Houghton	D13/108	D696,190 S	12/2013	Brandtman et al.	
D640,976 S *	7/2011	Matsuoka	D13/108	D697,027 S *	1/2014	Ho	D13/108
D642,524 S *	8/2011	Fitch et al.	D13/110	D697,475 S	1/2014	Regole	
D654,431 S *	2/2012	Stephanchick et al.	D13/108	D701,831 S *	4/2014	Park et al.	D13/108
D659,093 S *	5/2012	Schmid et al.	D13/108	D704,634 S *	5/2014	Eidelman et al.	D13/108
D680,541 S	4/2013	Lee et al.		D706,212 S *	6/2014	Zwierstra et al.	D13/107
				D717,244 S *	11/2014	Reishus et al.	D13/108
				2009/0134838 A1	5/2009	Raghuprasad	

* cited by examiner

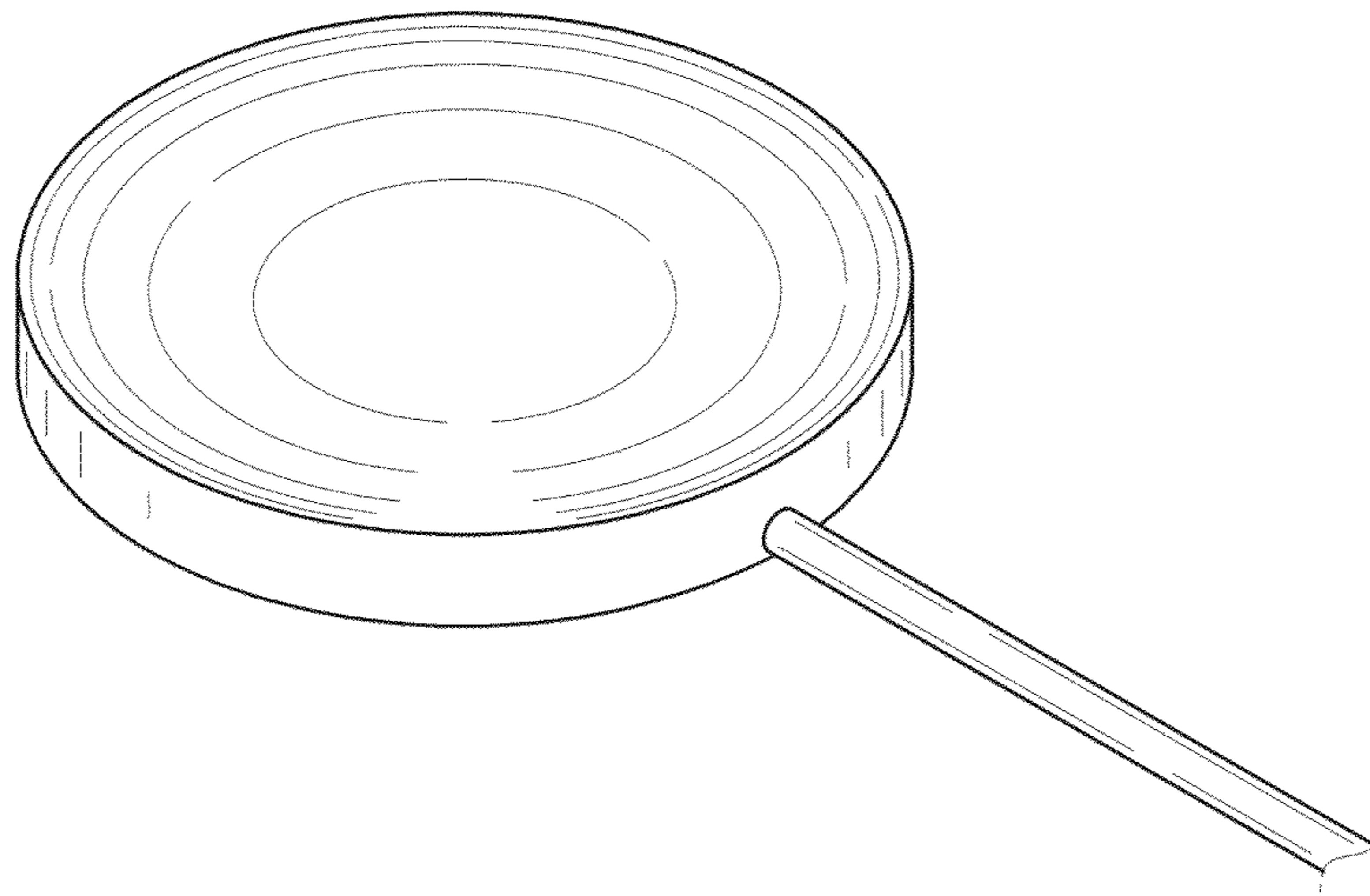


FIG. 1

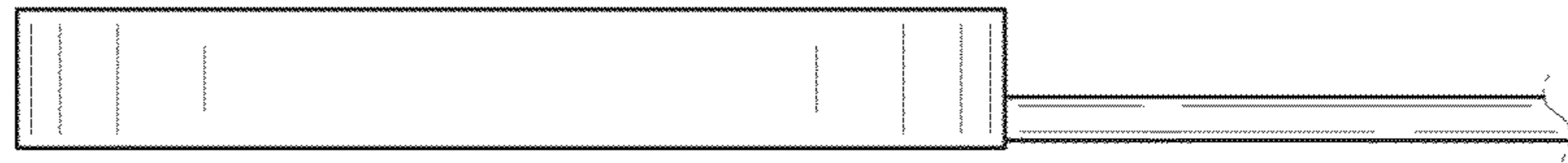


FIG. 2

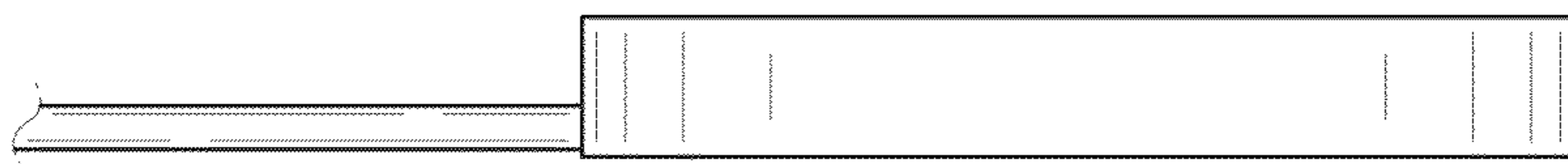


FIG. 3



FIG. 4



FIG. 5

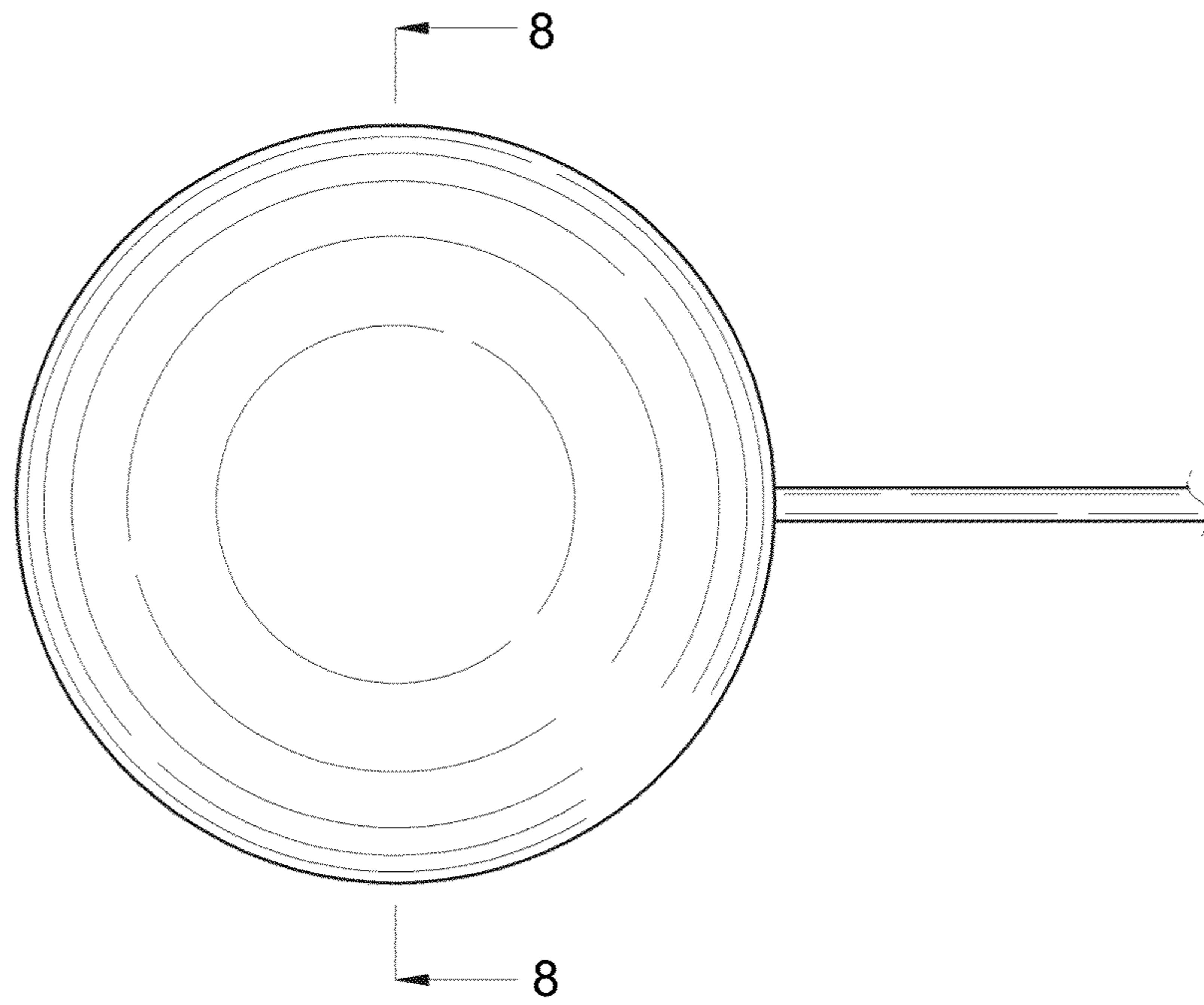


FIG. 6

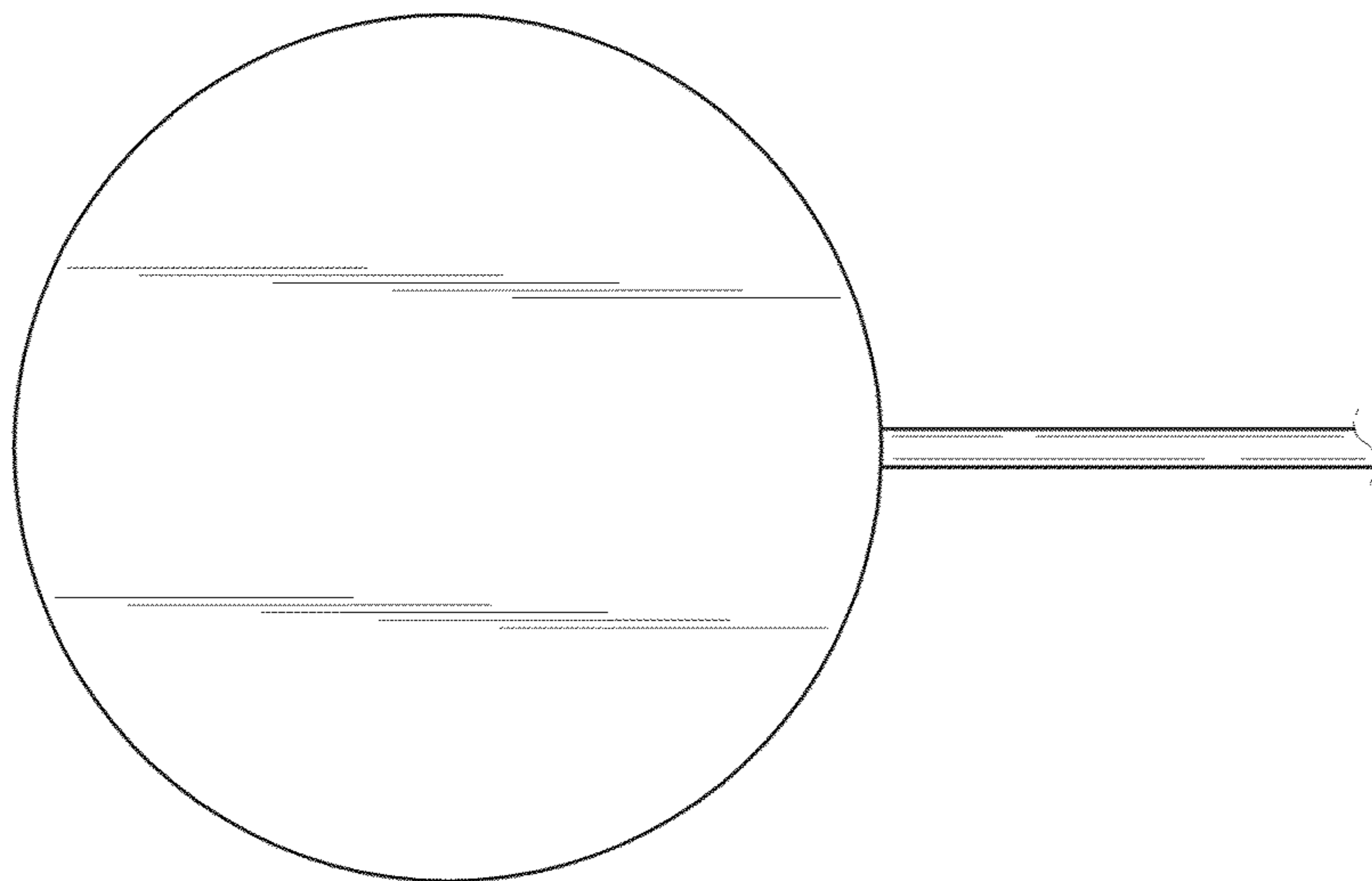


FIG. 7



FIG.8