



US00D747265S

(12) **United States Design Patent**
Marini

(10) **Patent No.:** **US D747,265 S**
(45) **Date of Patent:** **** Jan. 12, 2016**

(54) **BATTERY CHARGER**

(71) Applicant: **TEK GLOBAL S.R.L.**, Pesaro (IT)

(72) Inventor: **Maurizio Marini**, Pesaro (IT)

(73) Assignee: **Tek Global S.r.l.** (IT)

(**) Term: **14 Years**

(21) Appl. No.: **29/503,316**

(22) Filed: **Sep. 25, 2014**

(30) **Foreign Application Priority Data**

Mar. 25, 2014 (EM) 002432393

(51) **LOC (10) Cl.** **13-02**

(52) **U.S. Cl.**
USPC **D13/107**

(58) **Field of Classification Search**
USPC D13/107–110, 118–119, 182, 199;
D14/251, 253, 432, 434; 320/107–115
CPC Y02E 60/12; Y02T 90/14; Y02T 90/122;
Y02T 90/128; Y02T 90/163; H02J 7/025;
H02J 7/0042; H02J 7/0044; H02J 7/0045;
H02J 7/0003; H01F 38/14; H01R 13/6675;
H01M 2/1022; H01M 2/1055; H01M 10/44;
H01M 10/46; H01M 10/425; B60L 11/182
See application file for complete search history.

(56) **References Cited**

U.S. PATENT DOCUMENTS

D196,226 S * 9/1963 Fitzsimonds D13/108
D552,029 S * 10/2007 Kingston et al. D13/108
D552,539 S * 10/2007 Choi et al. D13/108
D553,077 S * 10/2007 Kim et al. D13/108

D578,960 S * 10/2008 Fisher et al. D13/108
D591,233 S * 4/2009 Kagami et al. D13/108
D603,333 S * 11/2009 Fahrendorff et al. D13/107
D610,983 S * 3/2010 Wai D13/108
D633,038 S * 2/2011 Fahrendorff et al. D13/108
D634,271 S * 3/2011 Kessler et al. D13/108
D640,699 S * 6/2011 McParland D14/434
D676,377 S * 2/2013 Nokuo D13/108
D682,199 S * 5/2013 Rautiainen D13/108

* cited by examiner

Primary Examiner — Rosemary K Tarcza

(74) *Attorney, Agent, or Firm* — Laubscher, Spendlove & Laubscher, P.C.

(57) **CLAIM**

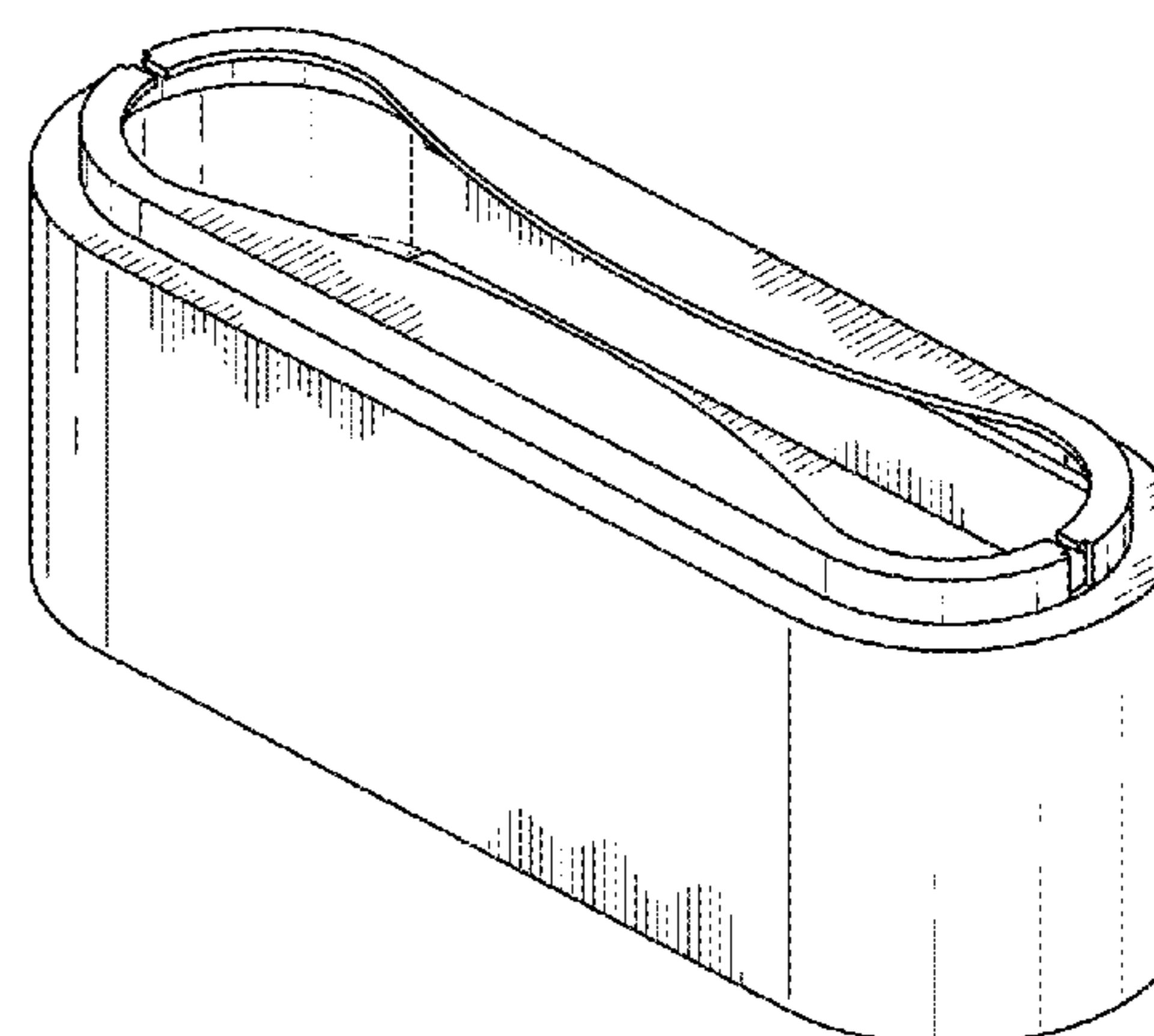
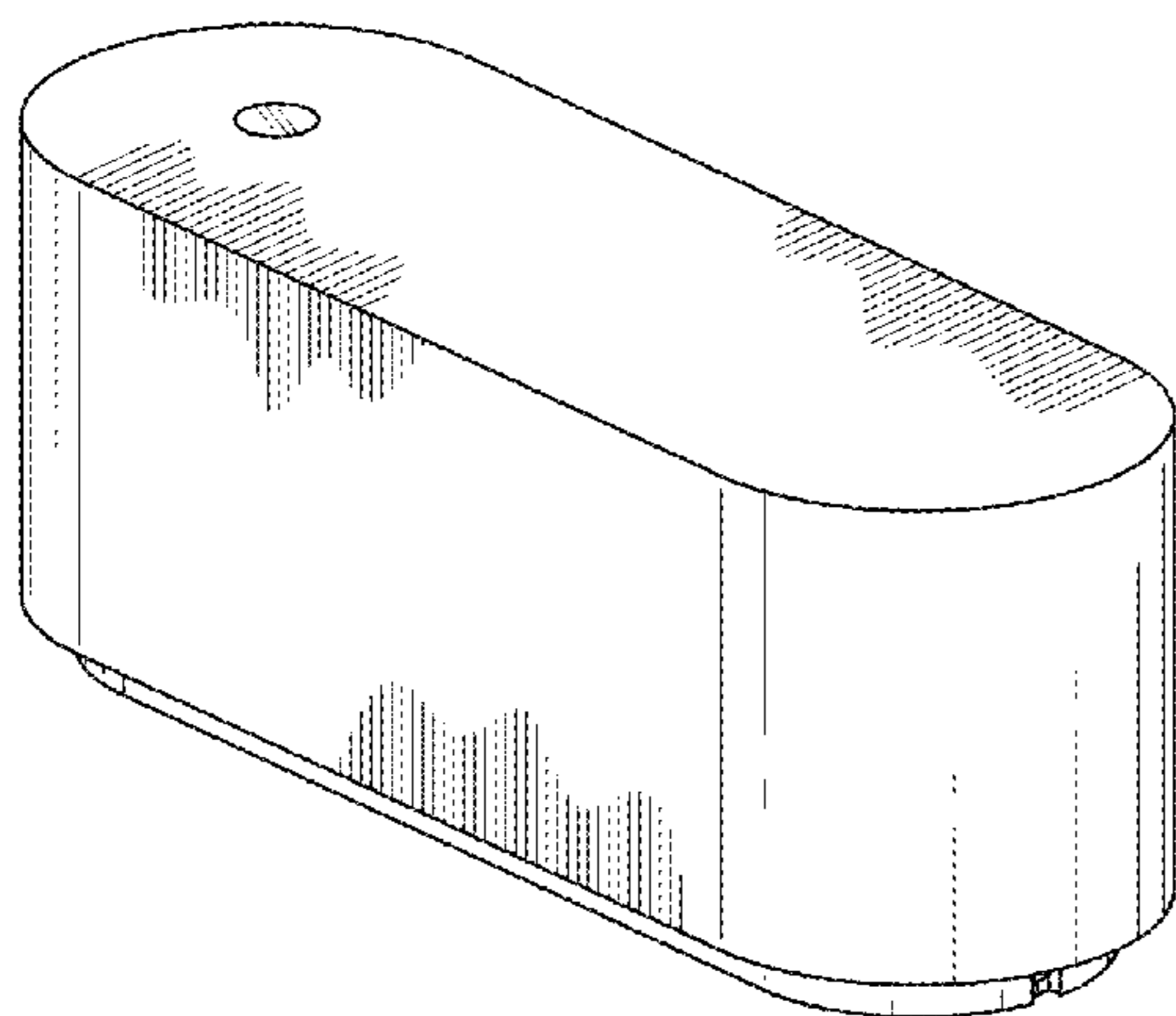
The ornamental design for a battery charger, as shown.

DESCRIPTION

FIG. 1 is a front perspective view of a first embodiment of the design;
FIG. 2 is a front elevation view of the embodiment of FIG. 1;
FIG. 3 is a top plan view of the embodiment of FIG. 1;
FIG. 4 is a bottom plan view of the embodiment of FIG. 1;
FIG. 5 is a bottom perspective of the embodiment of FIG. 1;
FIG. 6 is a front perspective view of a second embodiment of the design;
FIG. 7 is a front elevation view of the embodiment of FIG. 6;
FIG. 8 is a top plan view of the embodiment of FIG. 6;
FIG. 9 is a bottom plan view of the embodiment of FIG. 6;
and,
FIG. 10 is a bottom perspective view of the embodiment of FIG. 6.

The broken lines shown are included for the purpose of illustrating unclaimed portions of the battery charger, and form no part of the claimed design.

1 Claim, 4 Drawing Sheets



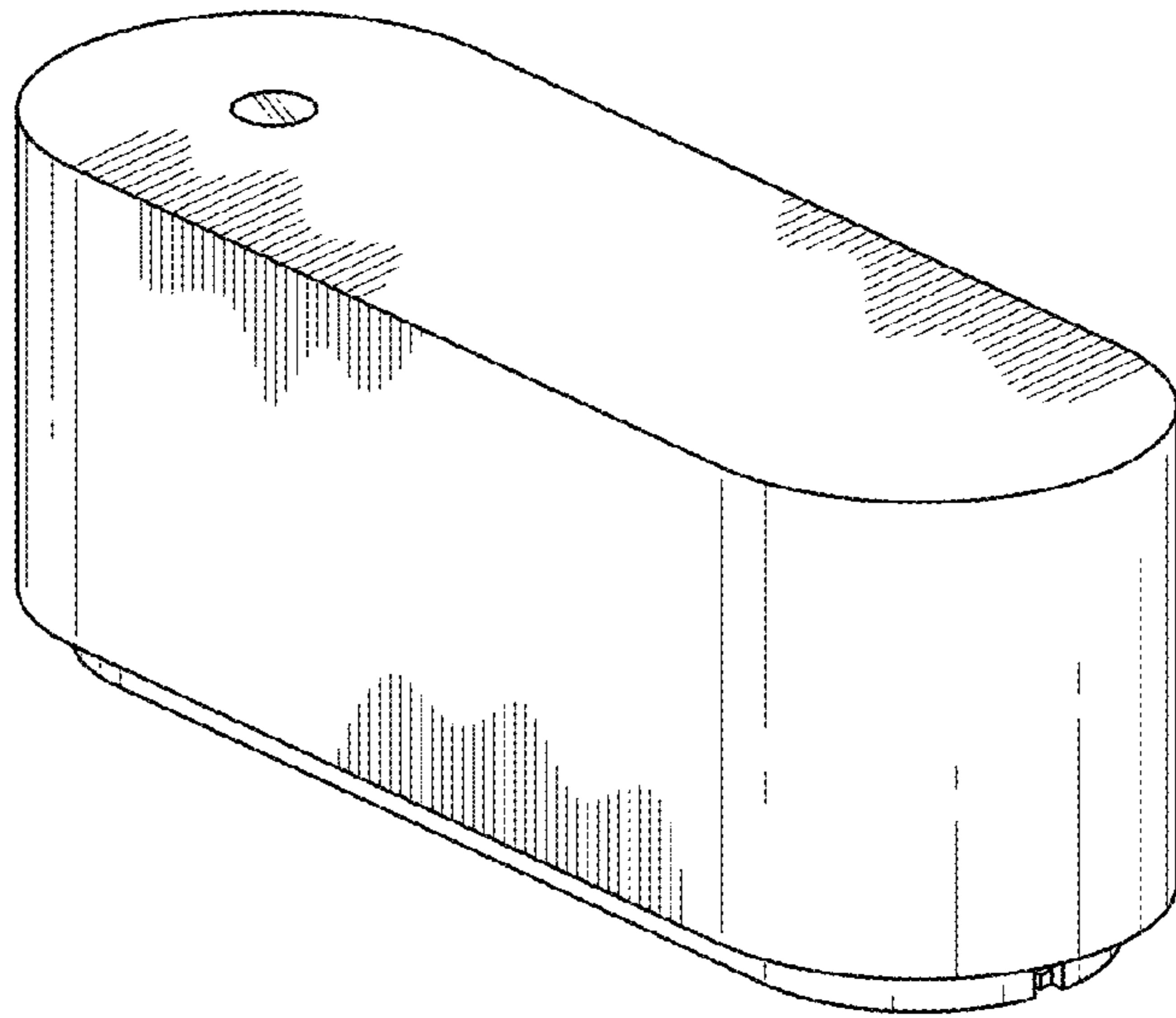


FIG. 1

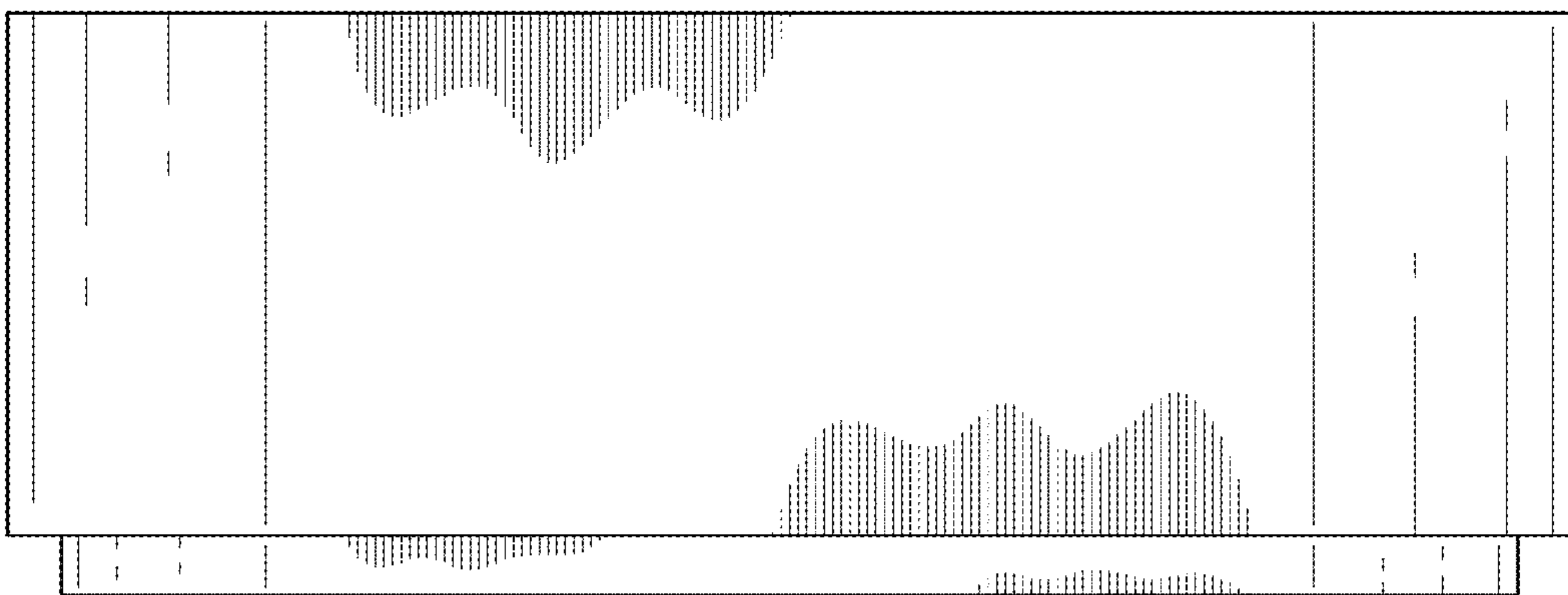


FIG. 2

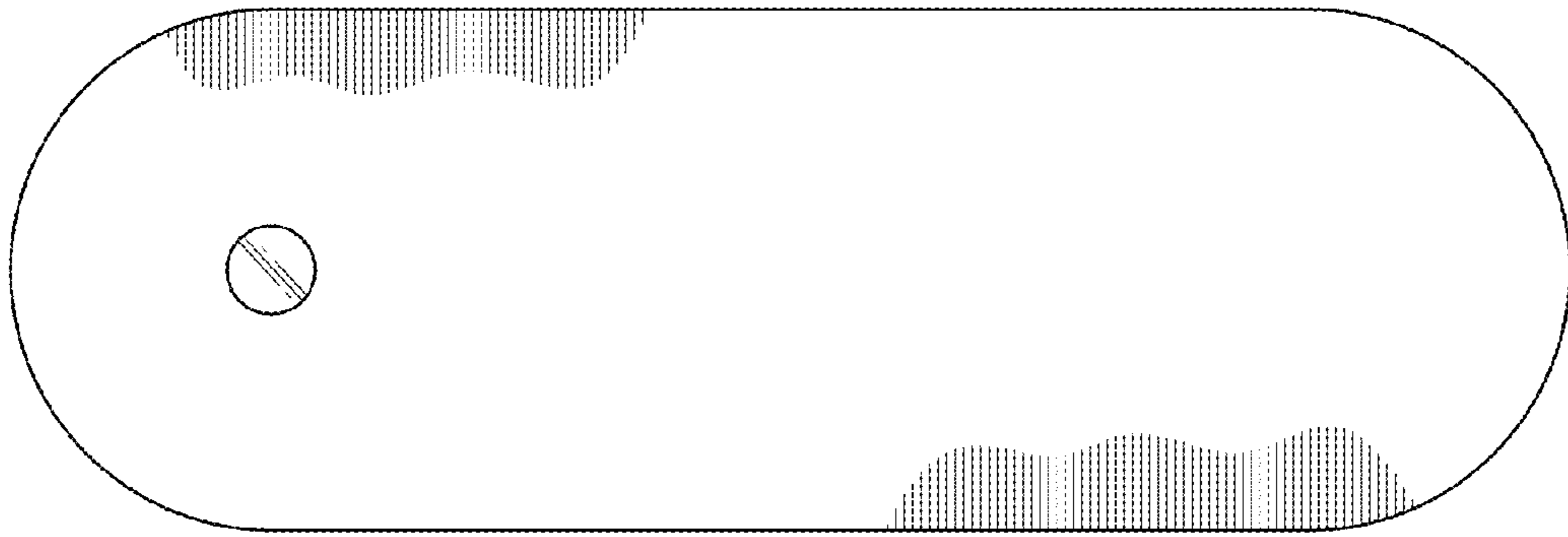


FIG. 3

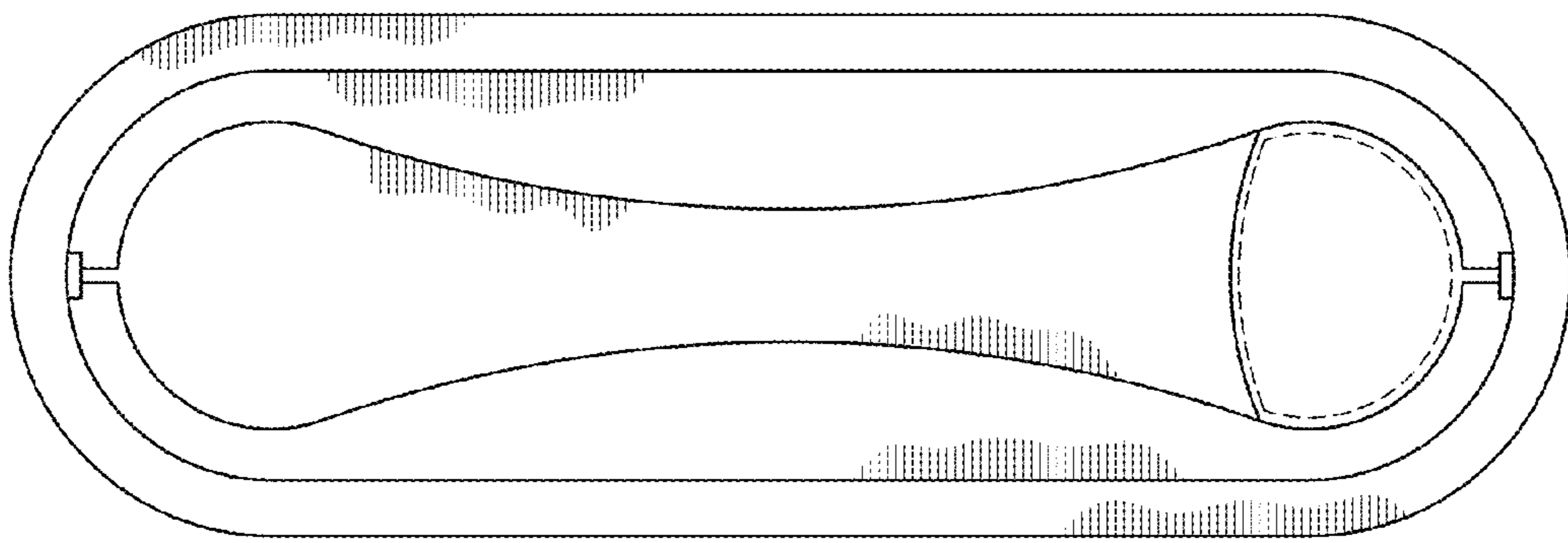


FIG. 4

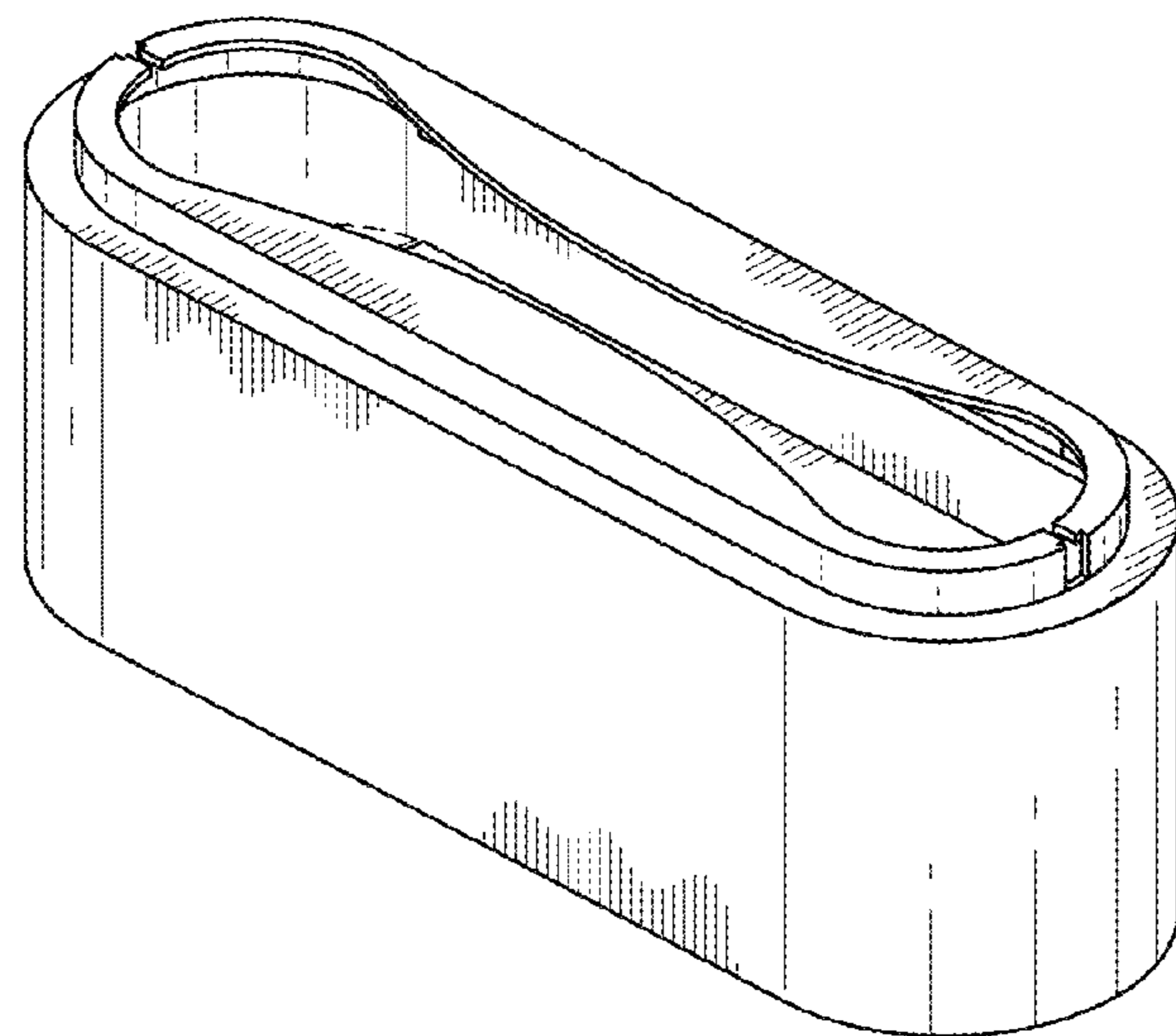


FIG. 5

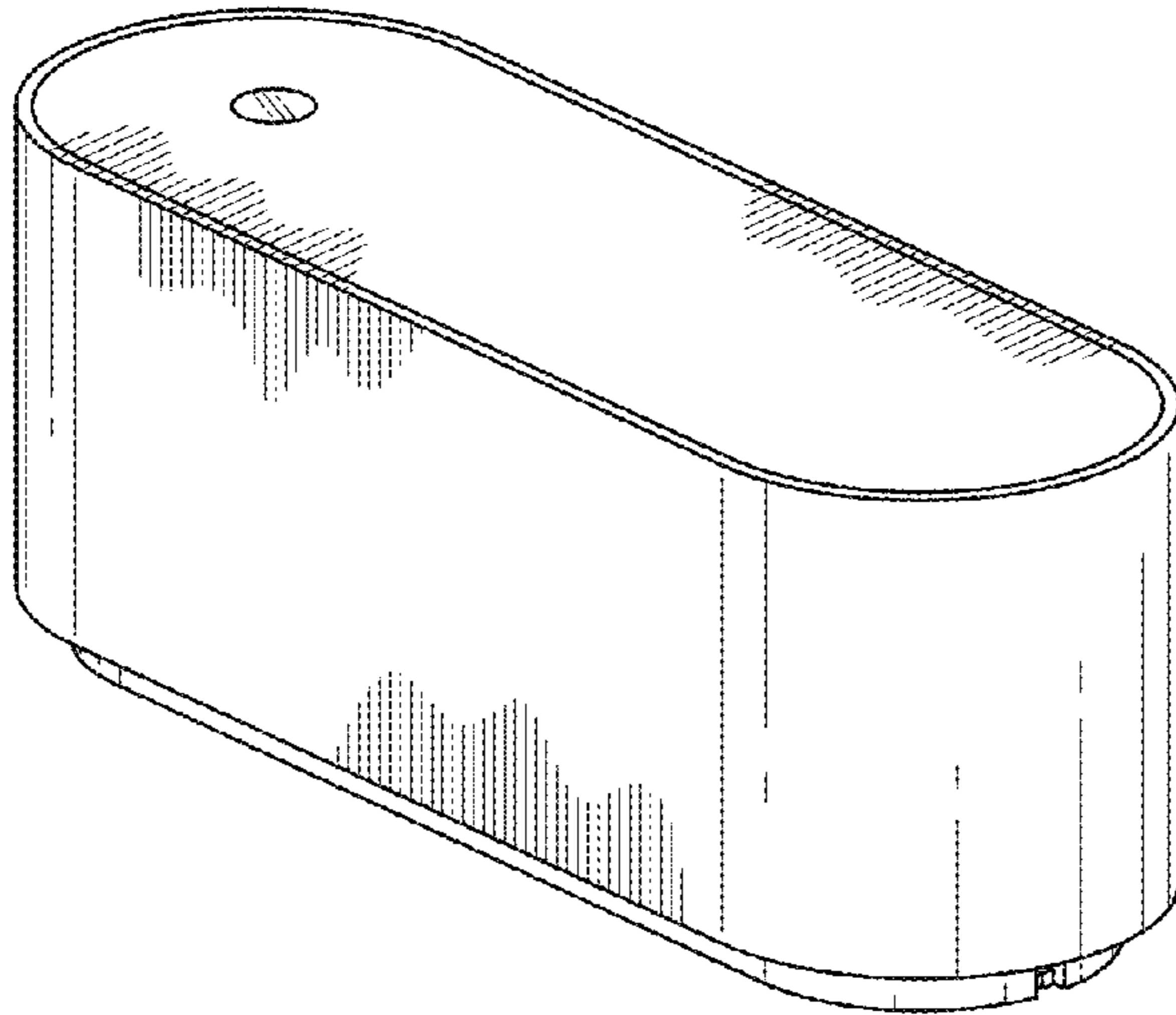


FIG. 6

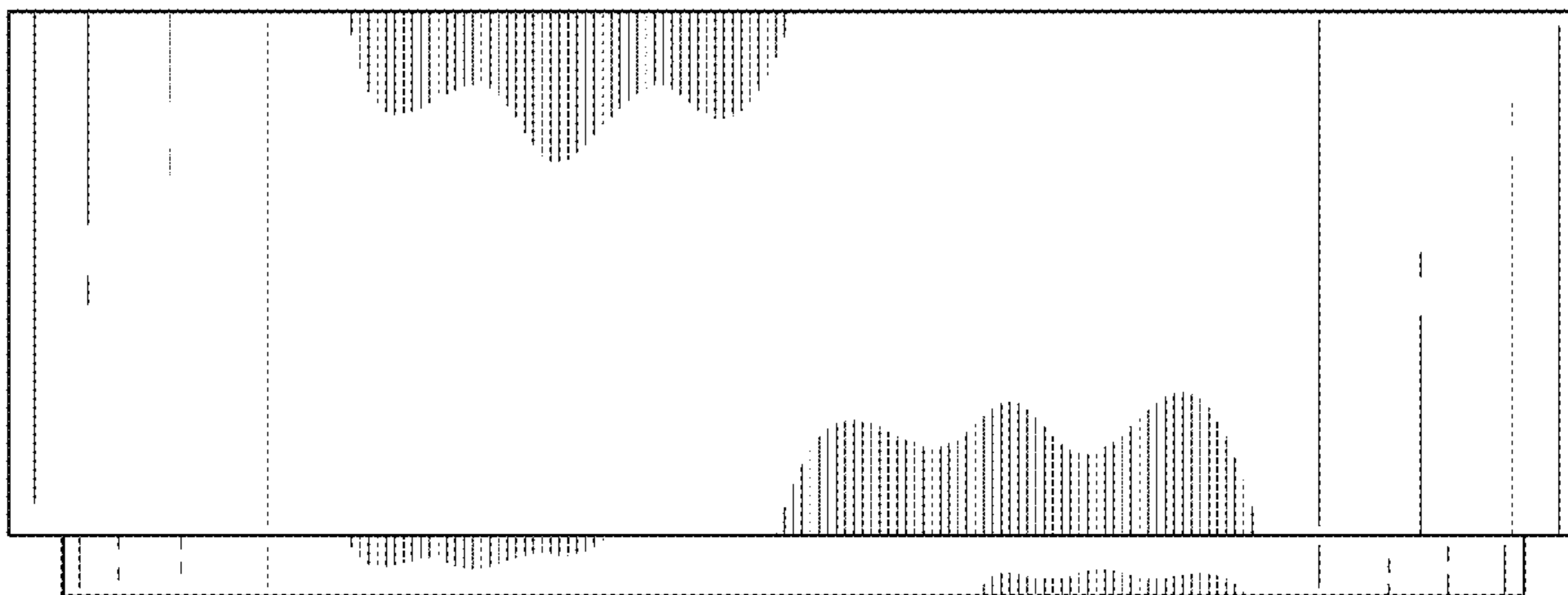


FIG. 7

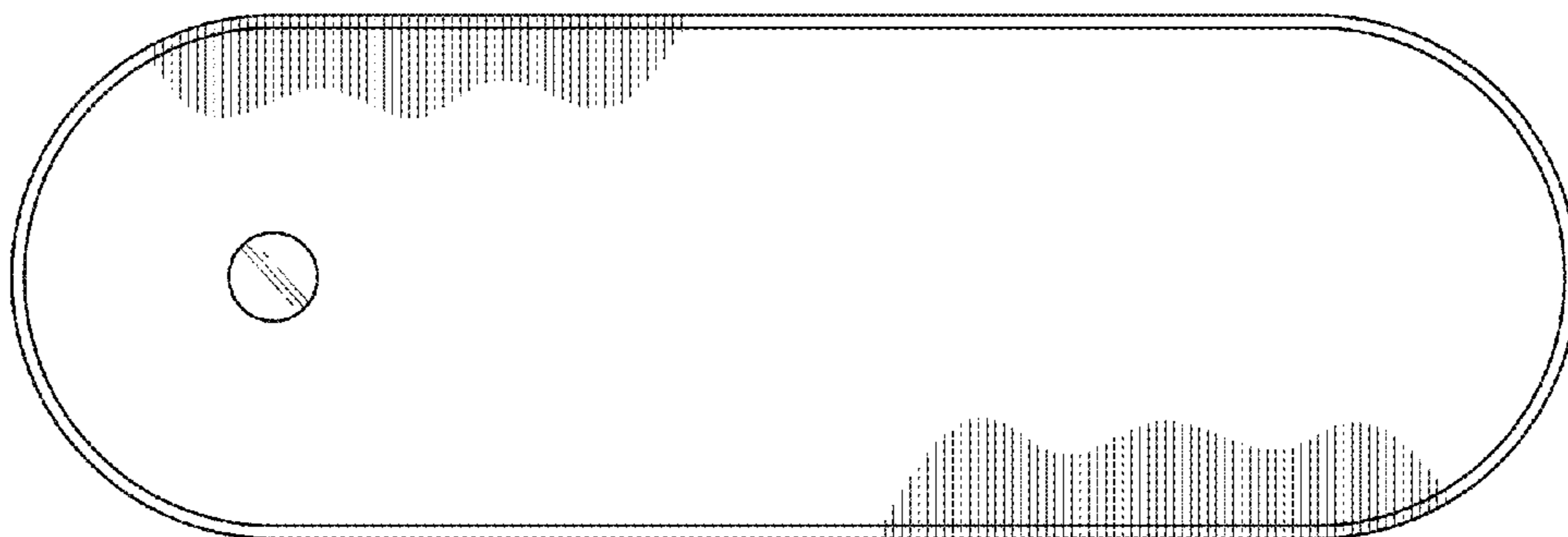


FIG. 8

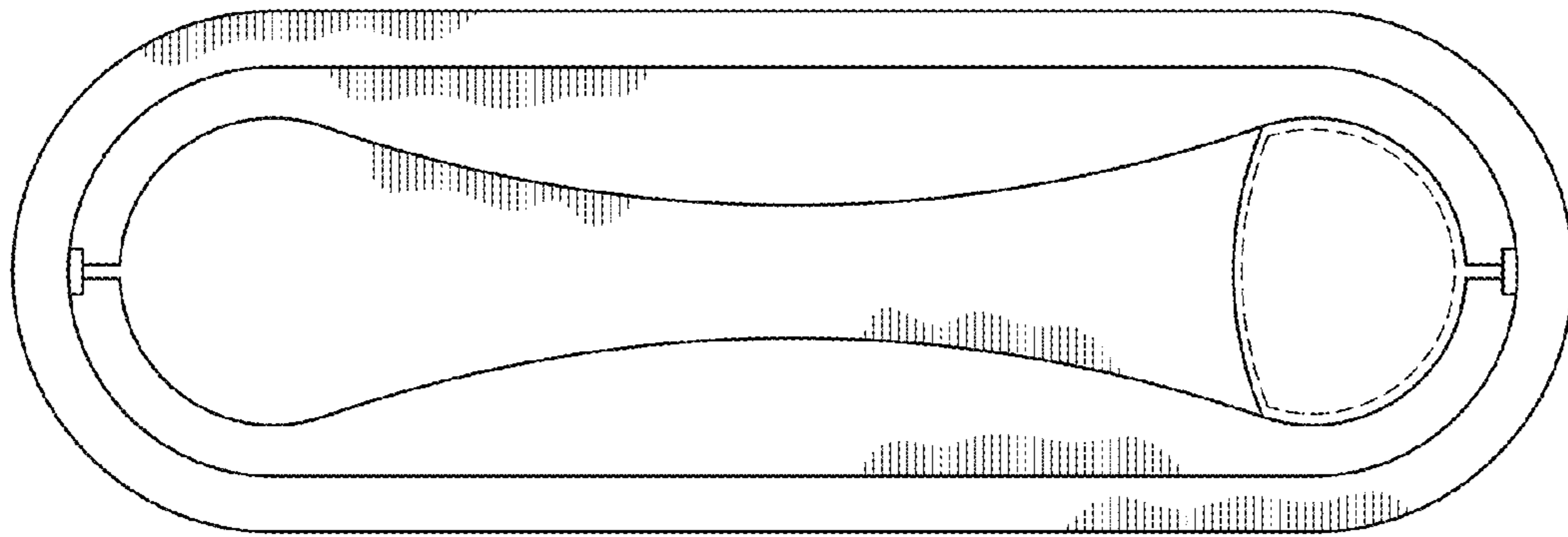


FIG. 9

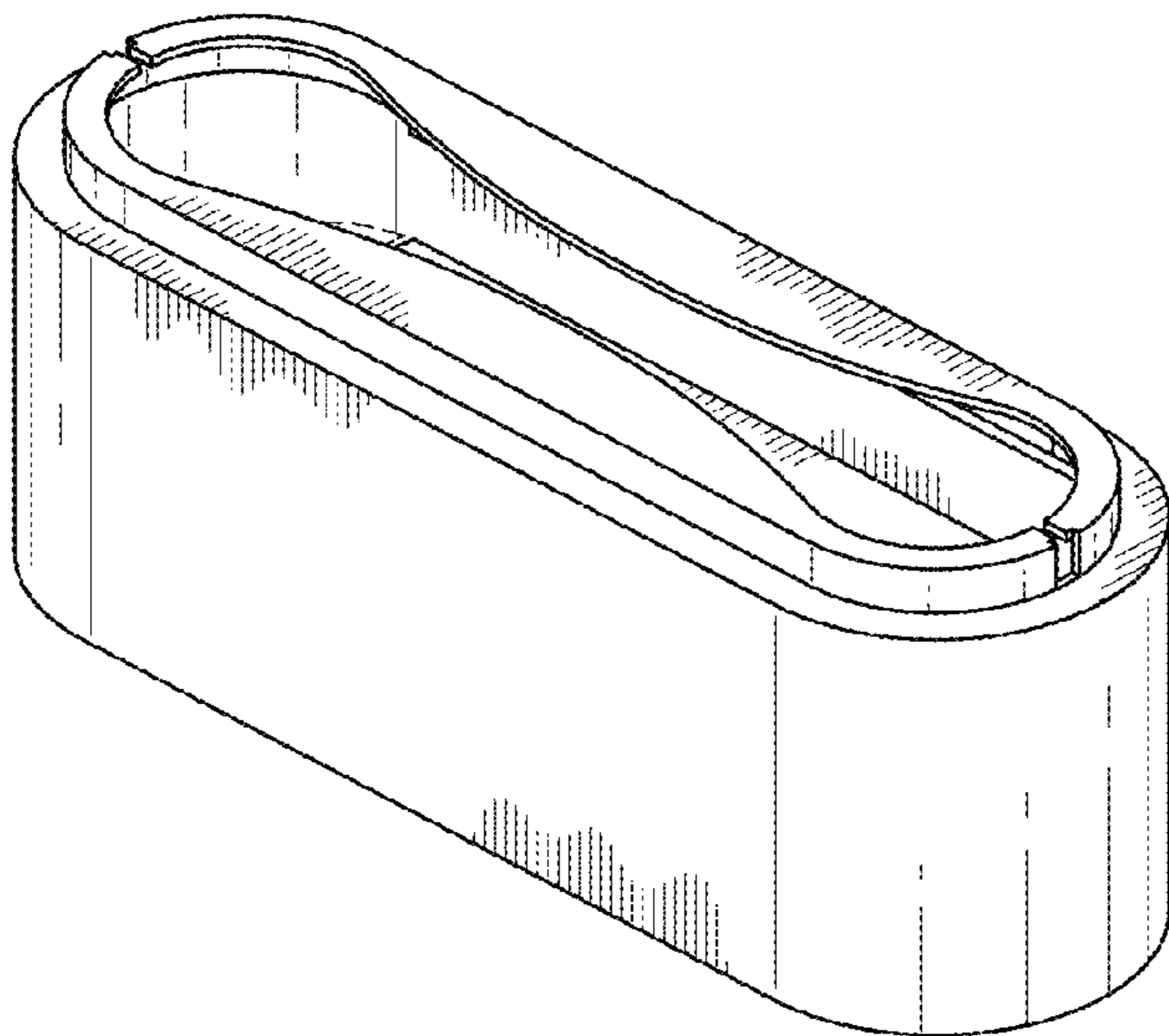


FIG. 10