



US00D747260S

(12) **United States Design Patent**
Cantrell et al.

(10) **Patent No.:** **US D747,260 S**
(45) **Date of Patent:** **** Jan. 12, 2016**

(54) **VEHICLE MOUNTABLE DEPLOYABLE TABLE**

(71) Applicants: **Todd B. Cantrell**, Indio, CA (US);
Mark Zens, Longmont, CO (US); **Max A. Buchman**, Lakeside, CA (US)

(72) Inventors: **Todd B. Cantrell**, Indio, CA (US);
Mark Zens, Longmont, CO (US); **Max A. Buchman**, Lakeside, CA (US)

(**) Term: **14 Years**

(21) Appl. No.: **29/477,999**

(22) Filed: **Dec. 30, 2013**

(51) **LOC (10) Cl.** **12-16**

(52) **U.S. Cl.**
USPC **D12/426.1**

(58) **Field of Classification Search**
USPC D12/426.1, 425, 400, 406, 415-420,
D12/424, 426; 108/25, 42-43, 150;
220/575, 679, 632, 670, 339, 574;
312/283; 211/11, 126; 297/173
See application file for complete search history.

(56) **References Cited**

U.S. PATENT DOCUMENTS

D319,357 S *	8/1991	Horne	D12/426.1
D335,226 S *	5/1993	Horne	D12/426.1
D338,358 S *	8/1993	Schroeder et al.	D6/480
D356,902 S *	4/1995	Crowell	D12/426.1
D360,318 S *	7/1995	Kinnard et al.	D12/426.1
D360,869 S *	8/1995	Brackett	D12/426.1
D365,219 S *	12/1995	Tange	D12/426.1
D431,019 S *	9/2000	Richter	D12/426.1
D514,057 S *	1/2006	Borunda et al.	D12/426.1

* cited by examiner

Primary Examiner — Katrina A Betton

(74) *Attorney, Agent, or Firm* — Charmasson Bucha & Leach, LLP

(57) **CLAIM**

The ornamental design for a vehicle mountable deployable table, as shown and described.

DESCRIPTION

FIG. 1 is a top, back, right side perspective view of a vehicle mountable deployable table showing an embodiment of my new design in a deployed configuration.

FIG. 2 is a bottom, front, left side perspective view thereof.

FIG. 3 is a front plan view thereof.

FIG. 4 is a back plan view thereof.

FIG. 5 is a top plan view thereof.

FIG. 6 is a bottom plan view thereof.

FIG. 7 is a left side plan view thereof.

FIG. 8 is a right side plan view thereof.

FIG. 9 is a top, back, right side perspective view of a vehicle mountable deployable table showing an alternate embodiment of my new design in a deployed configuration.

FIG. 10 is a bottom, front, left side perspective view thereof.

FIG. 11 is a front plan view thereof.

FIG. 12 is a back plan view thereof.

FIG. 13 is a top plan view thereof.

FIG. 14 is a bottom plan view thereof.

FIG. 15 is a left side plan view thereof.

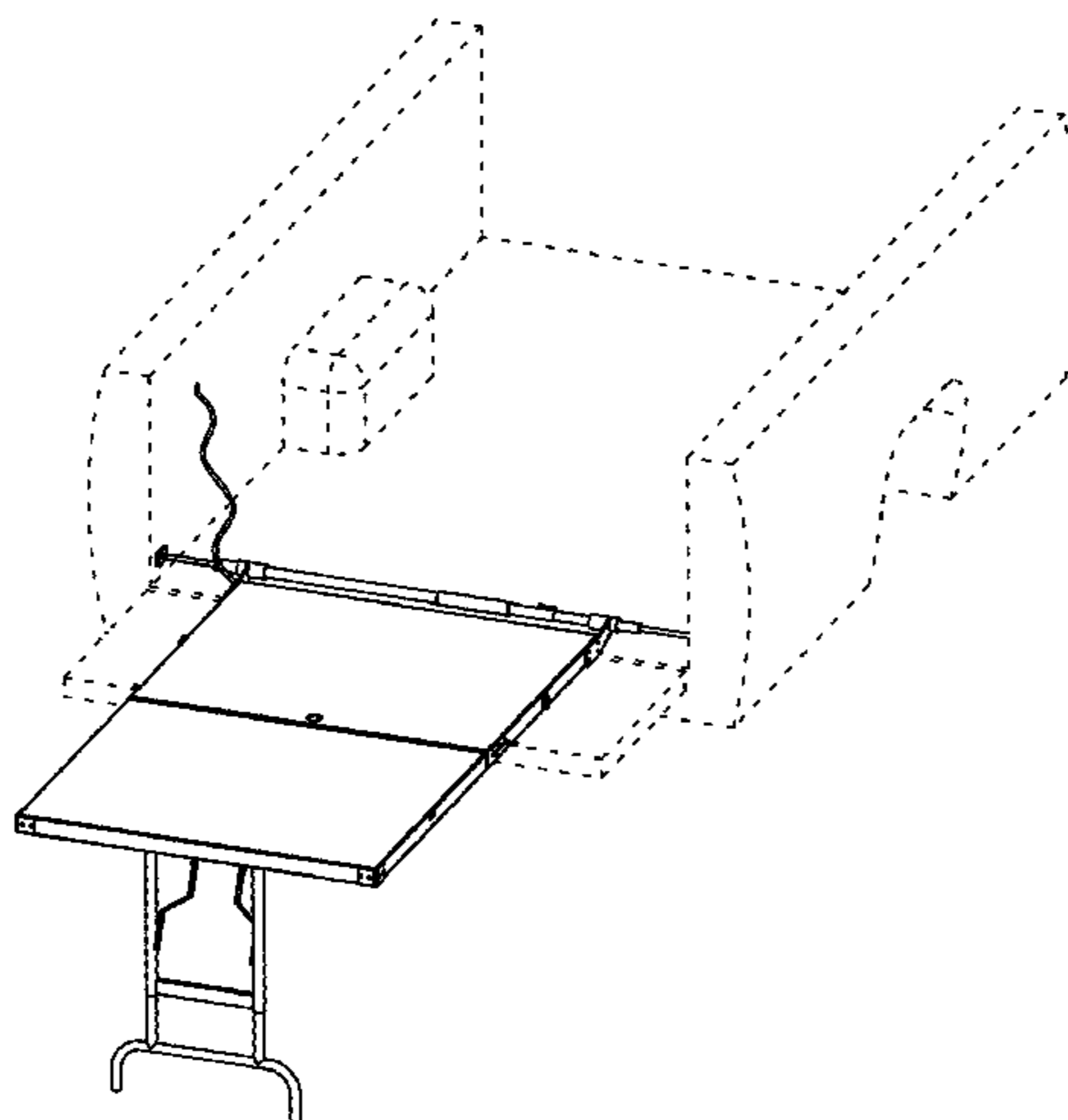
FIG. 16 is a right side plan view thereof.

FIG. 17 is a top, back, right side perspective view of a vehicle mountable deployable table mounted to a pick-up truck bed and shown in a deployed configuration; and,

FIG. 18 is a top, back, right side perspective view of a vehicle mountable deployable table mounted to a pick-up truck bed and shown in a retracted configuration.

Shading lines are used to show solid structures and are not intended to indicate surface decoration. Broken lines shown in FIGS. 1-4 and 6-8 showing the collapsible support leg are included for the purpose of illustrating environment and form no part of the claimed design. Broken lines shown in FIGS. 17 and 18 showing the open bed of a pickup truck are included for the purpose of illustrating environment and form no part of the claimed design.

1 Claim, 13 Drawing Sheets



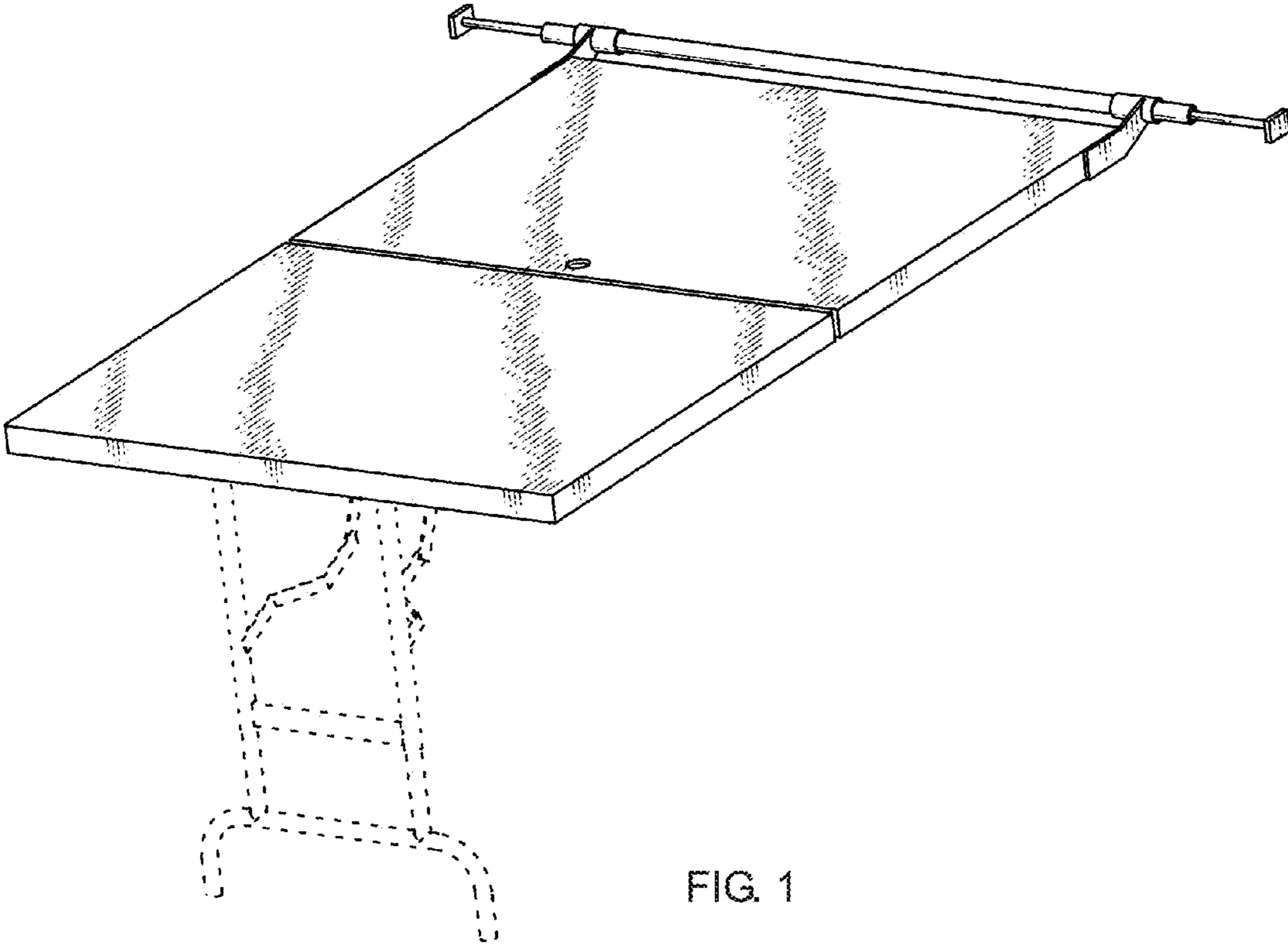
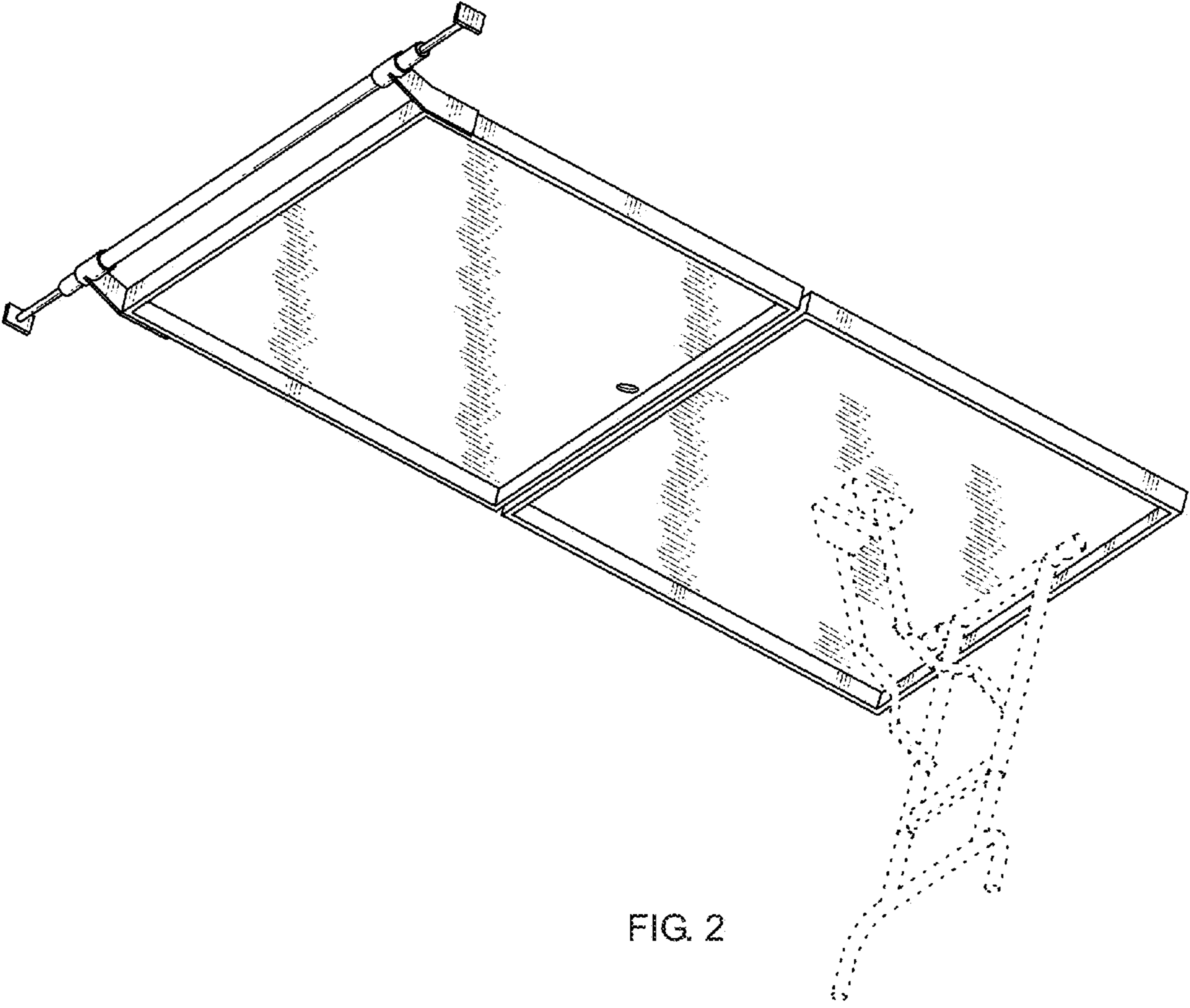


FIG. 1



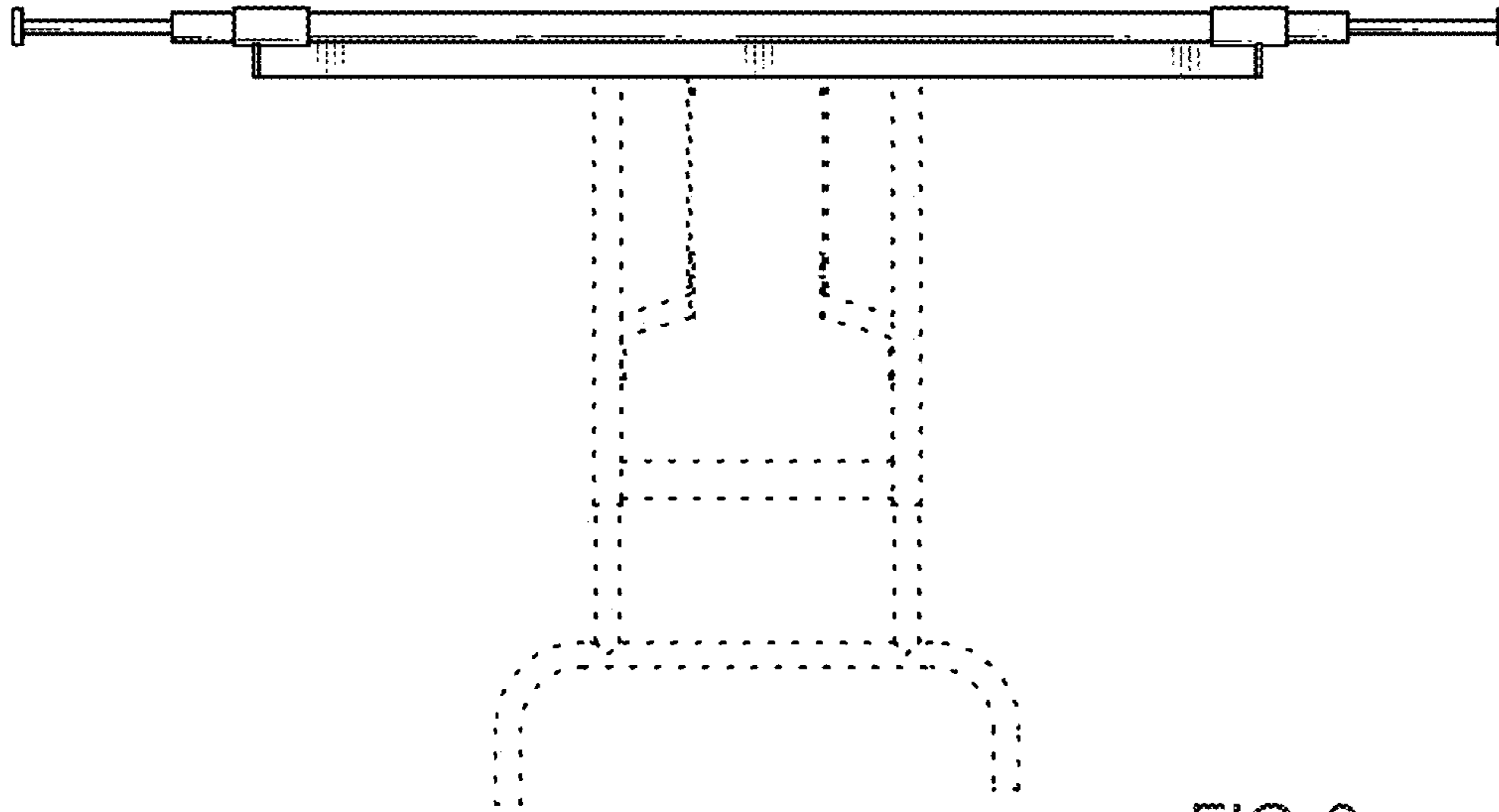


FIG. 3

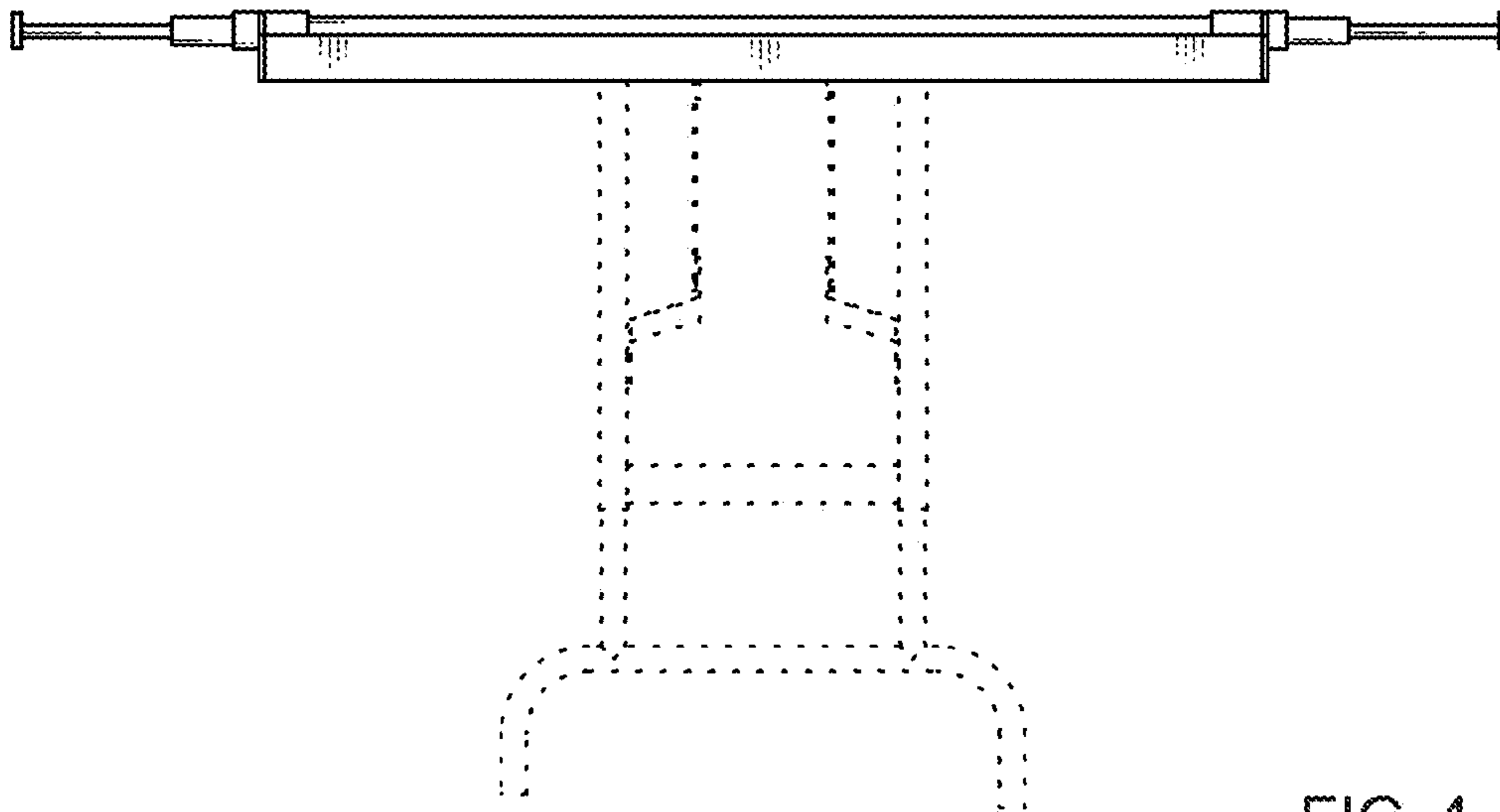


FIG. 4

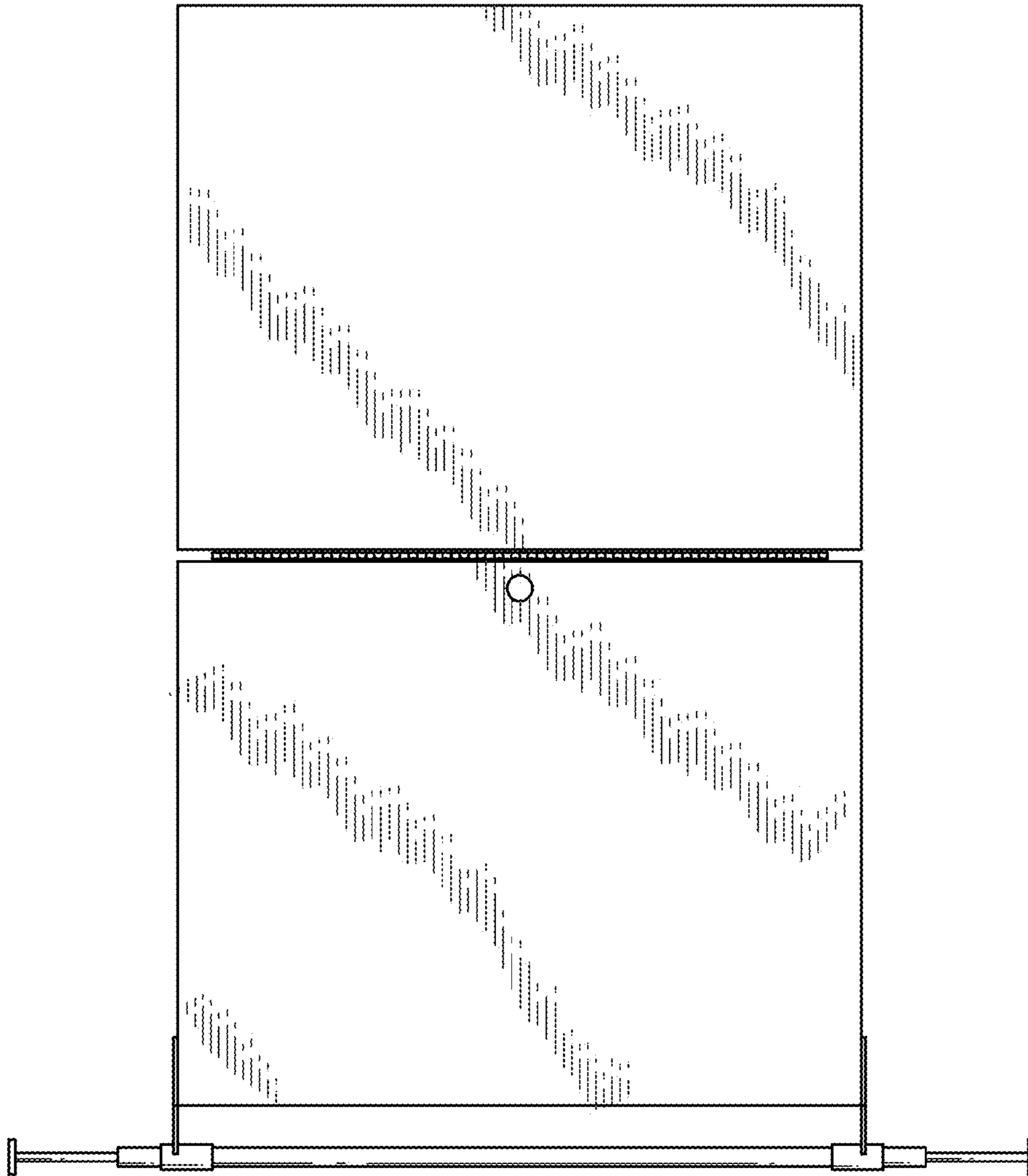


FIG. 5

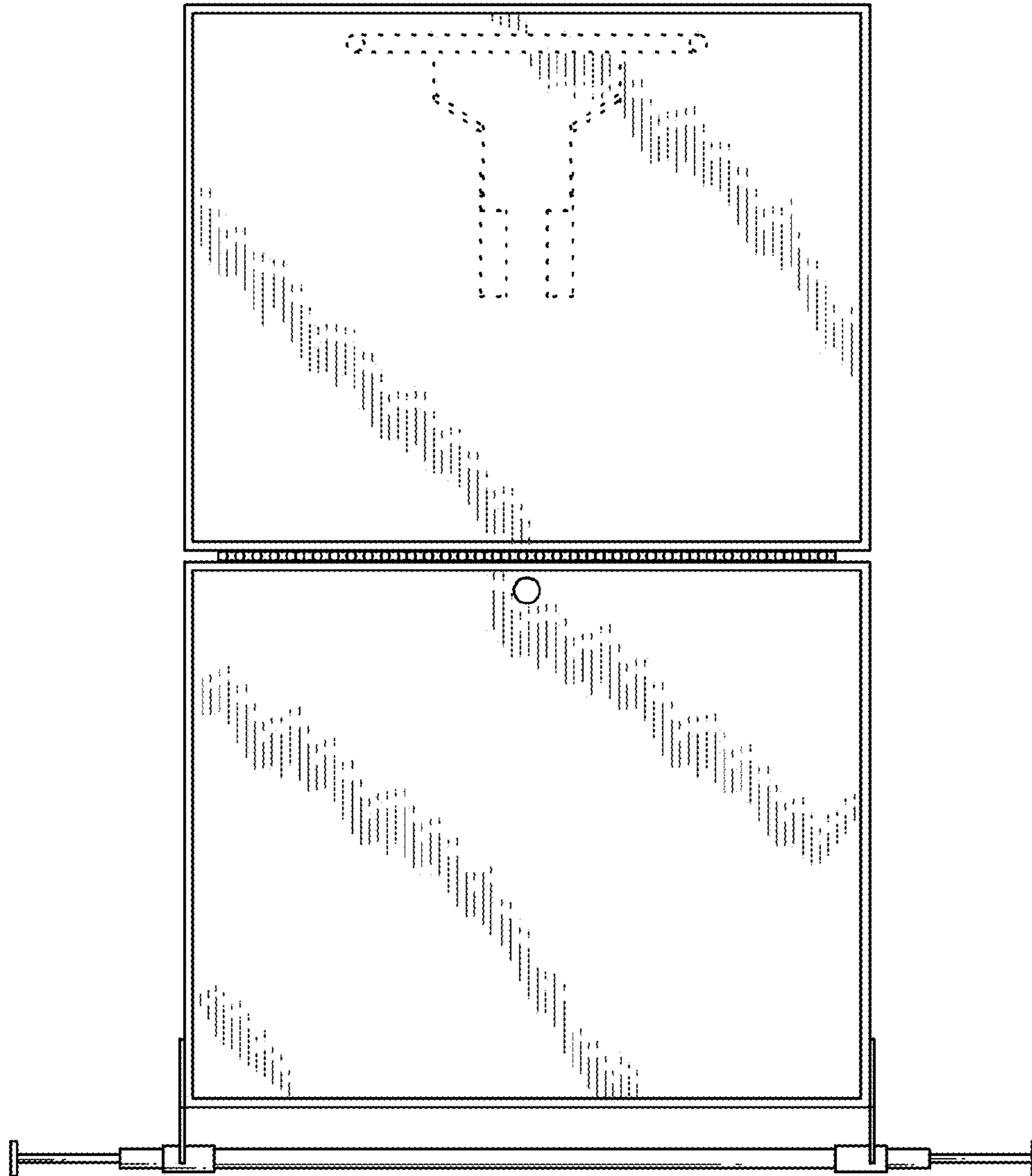
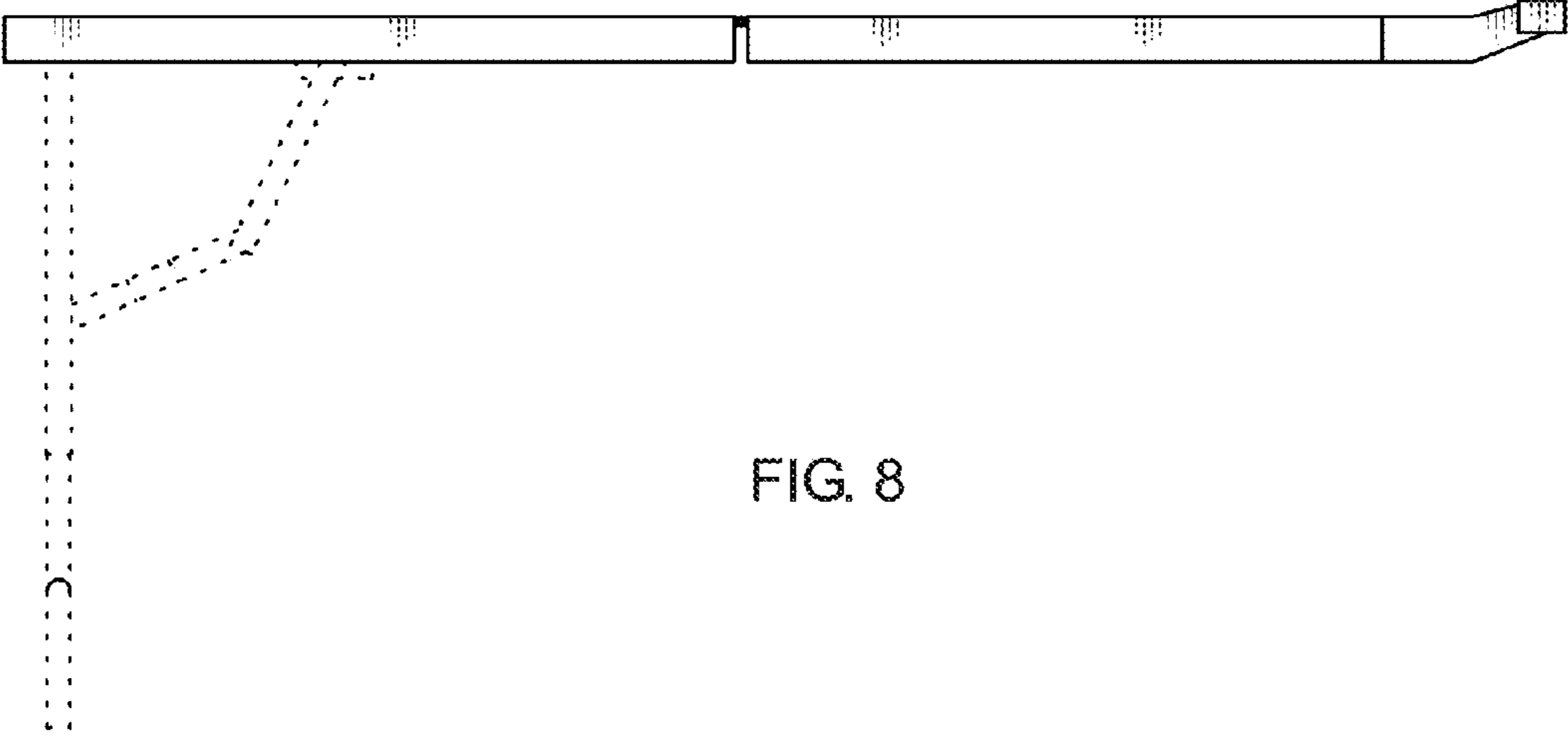
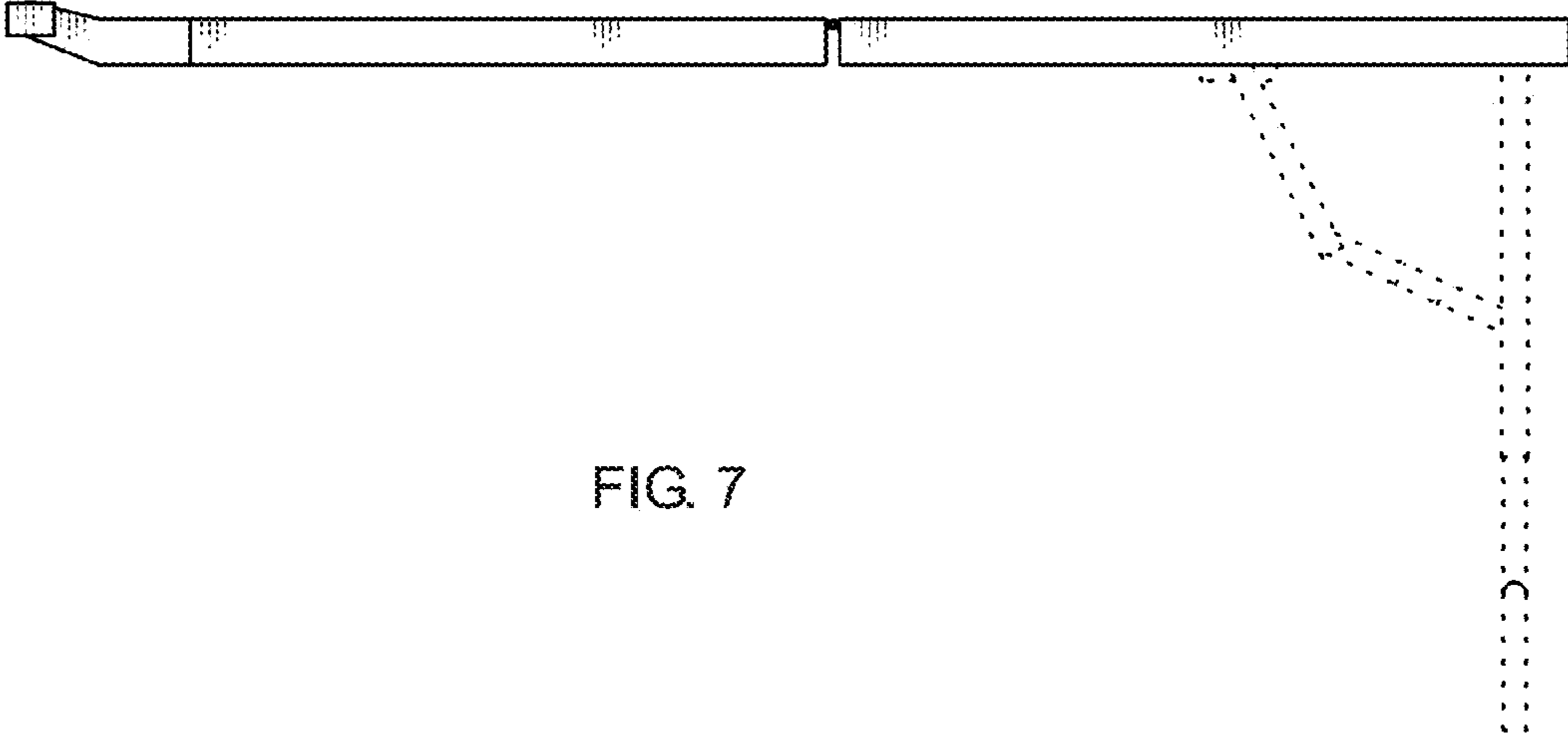


FIG. 6



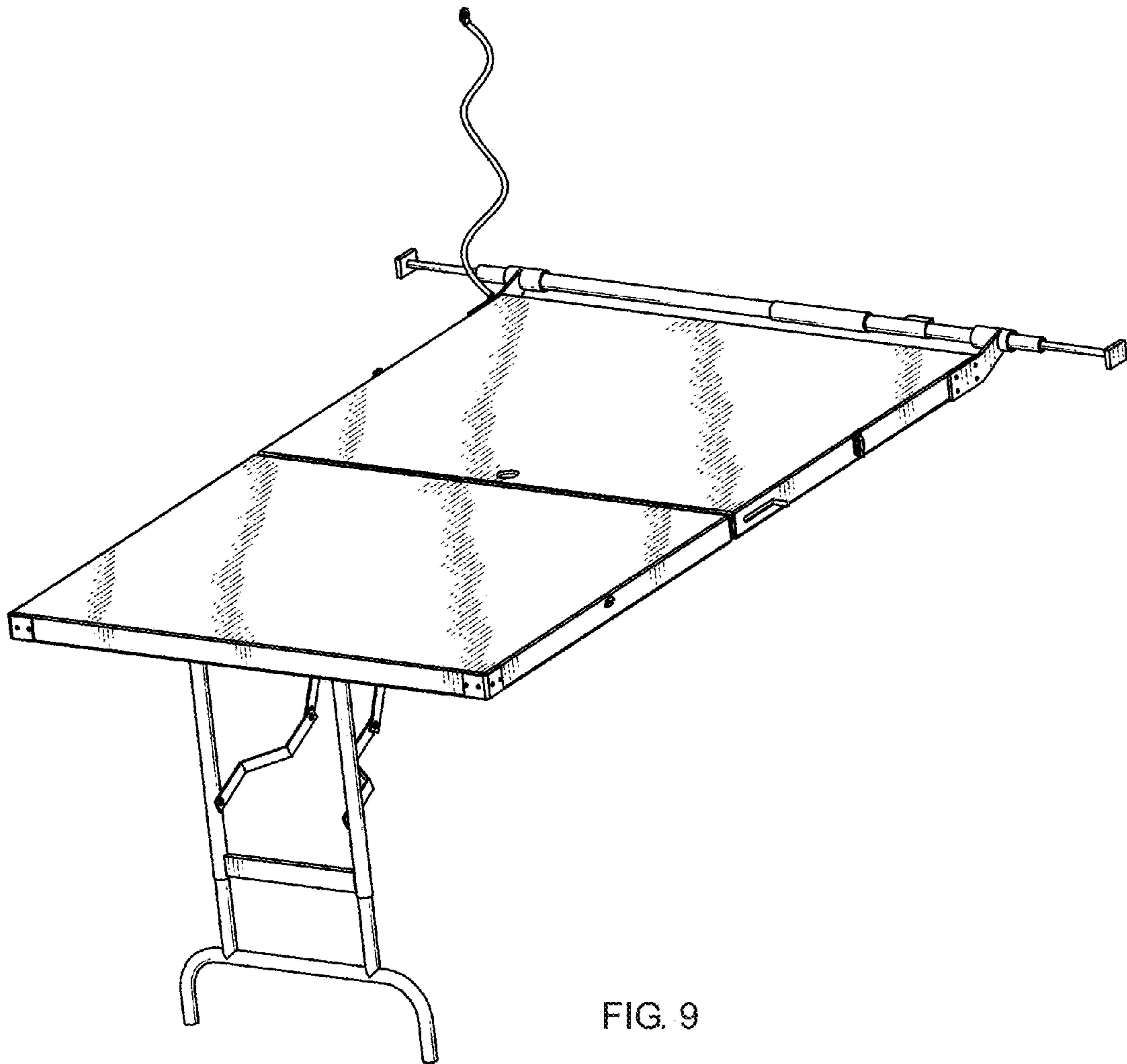


FIG. 9

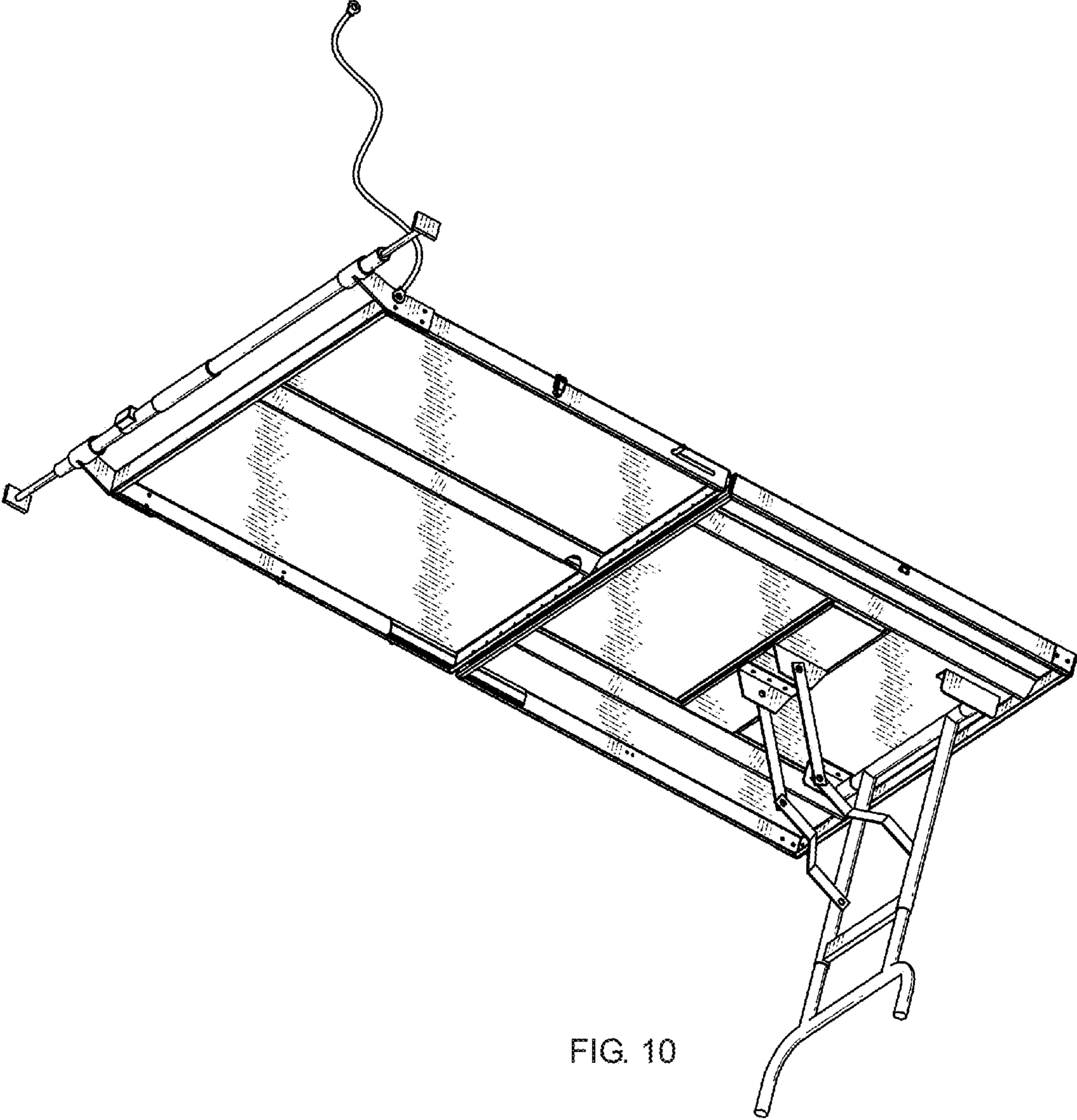


FIG. 10

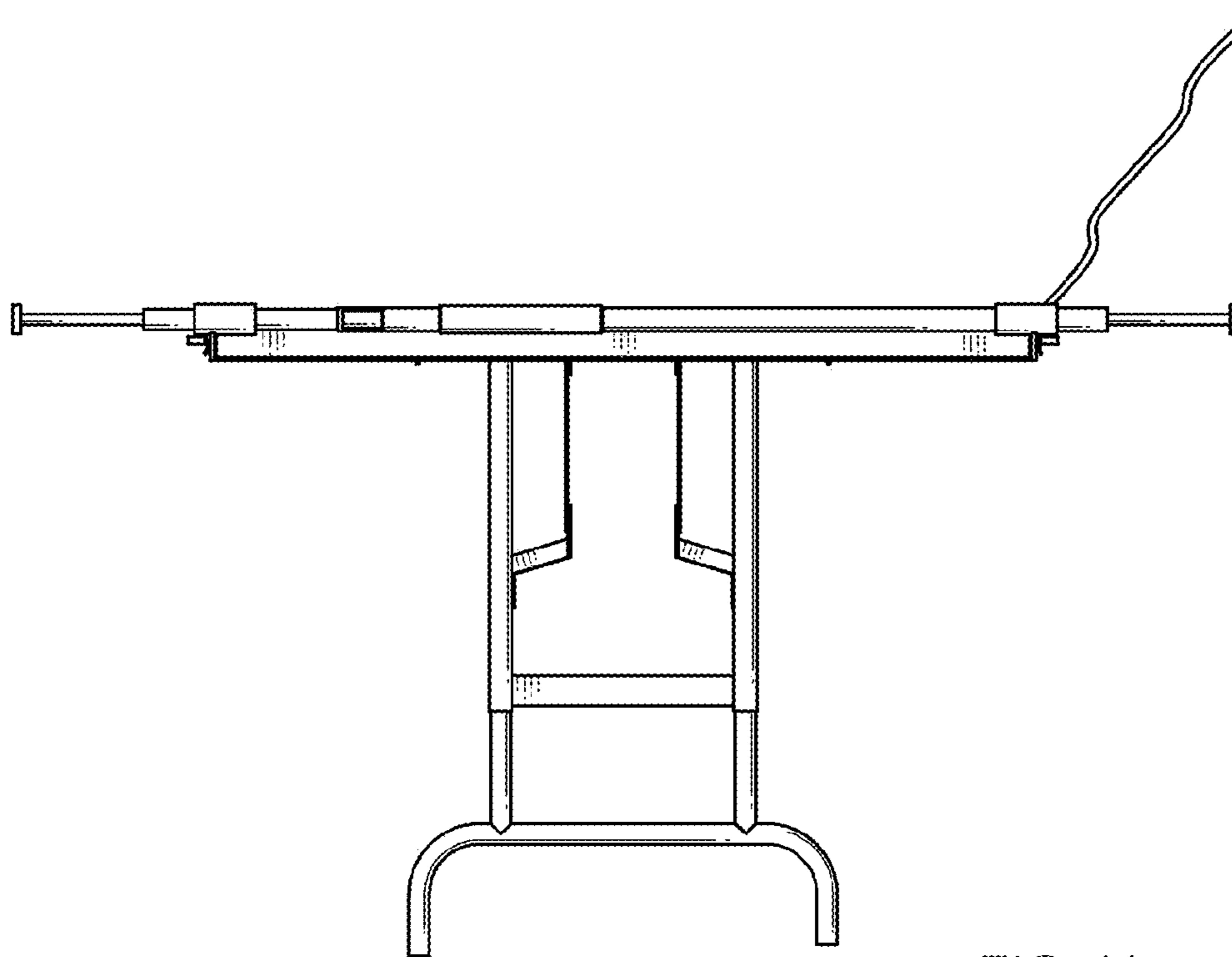


FIG. 11

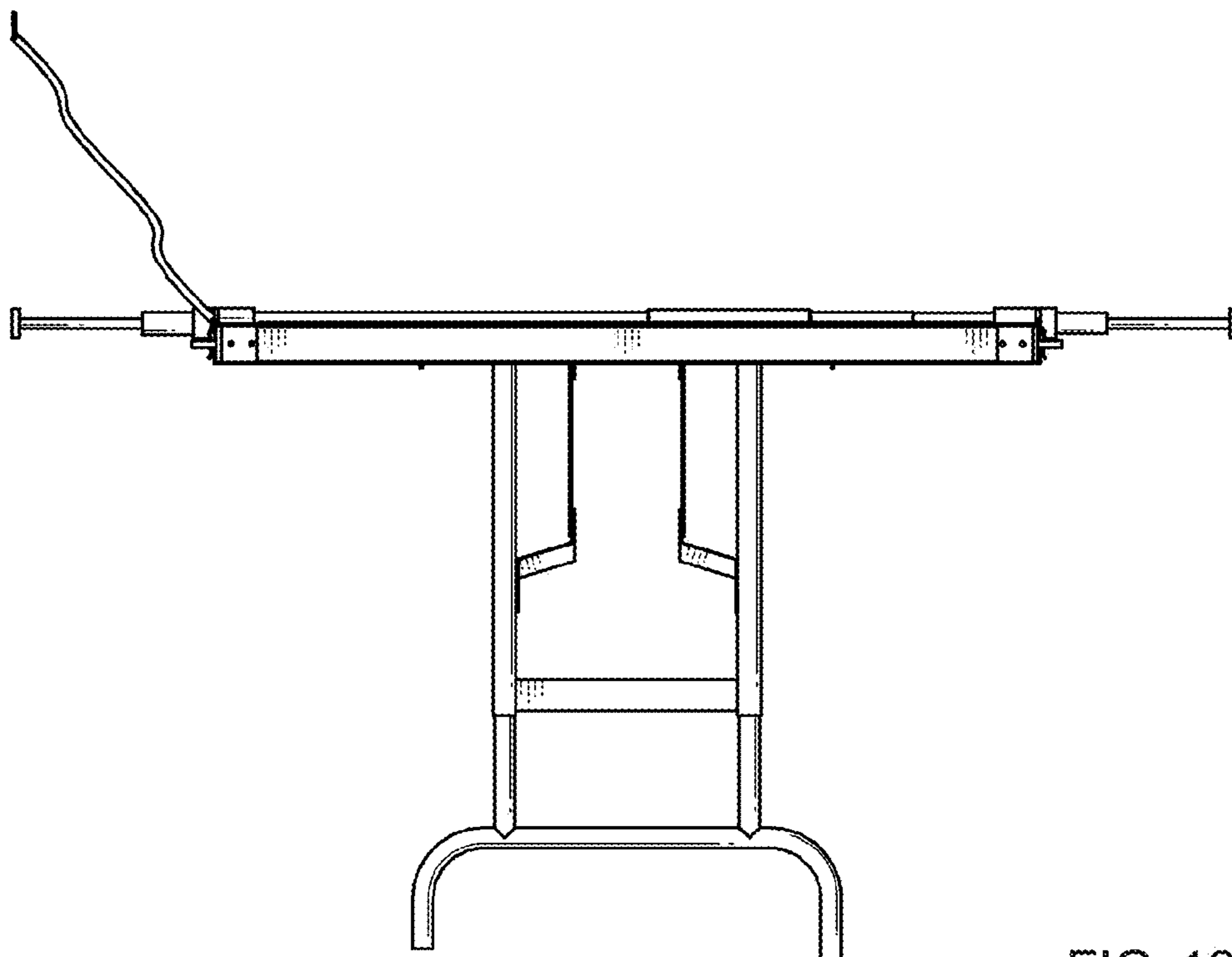


FIG. 12

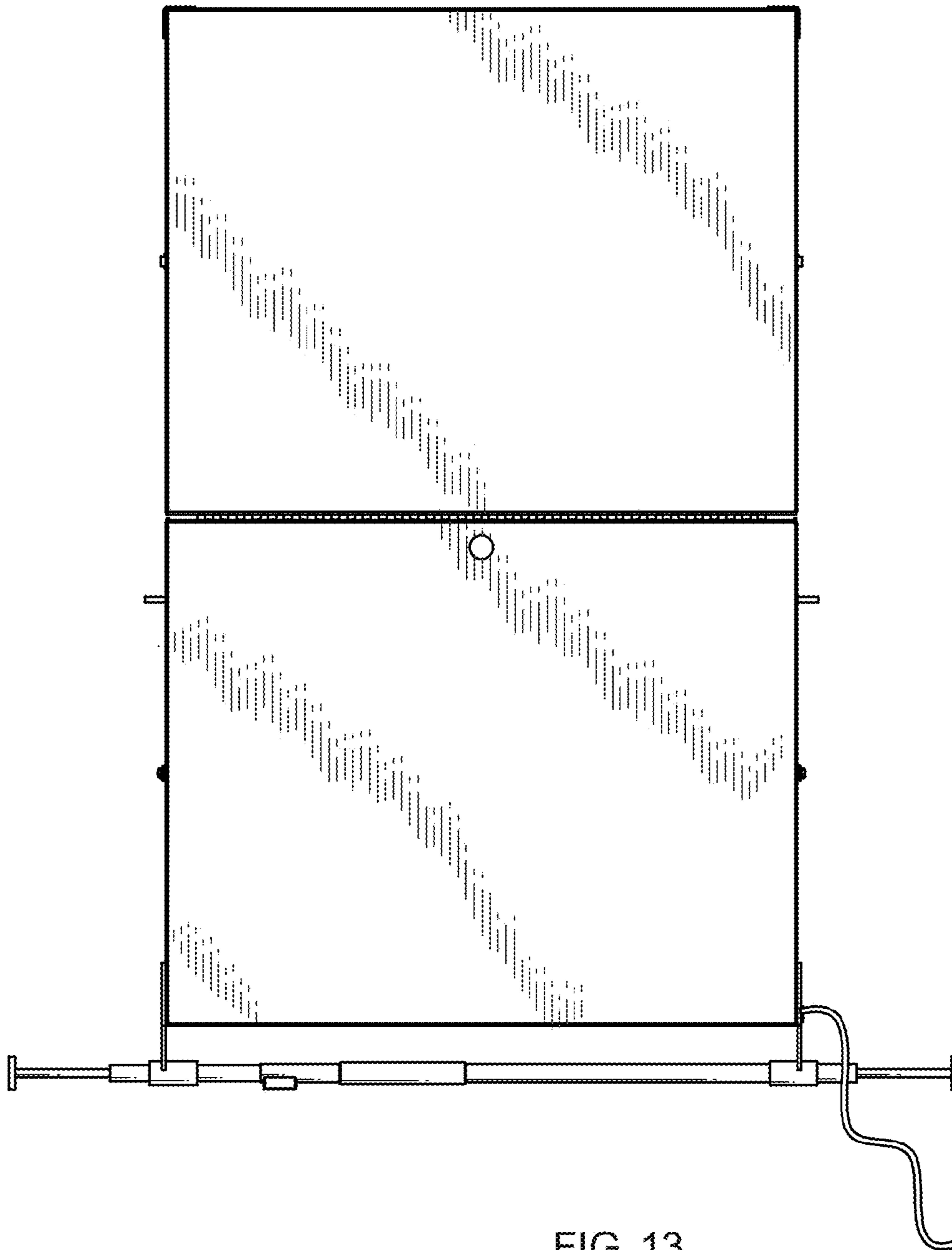


FIG. 13

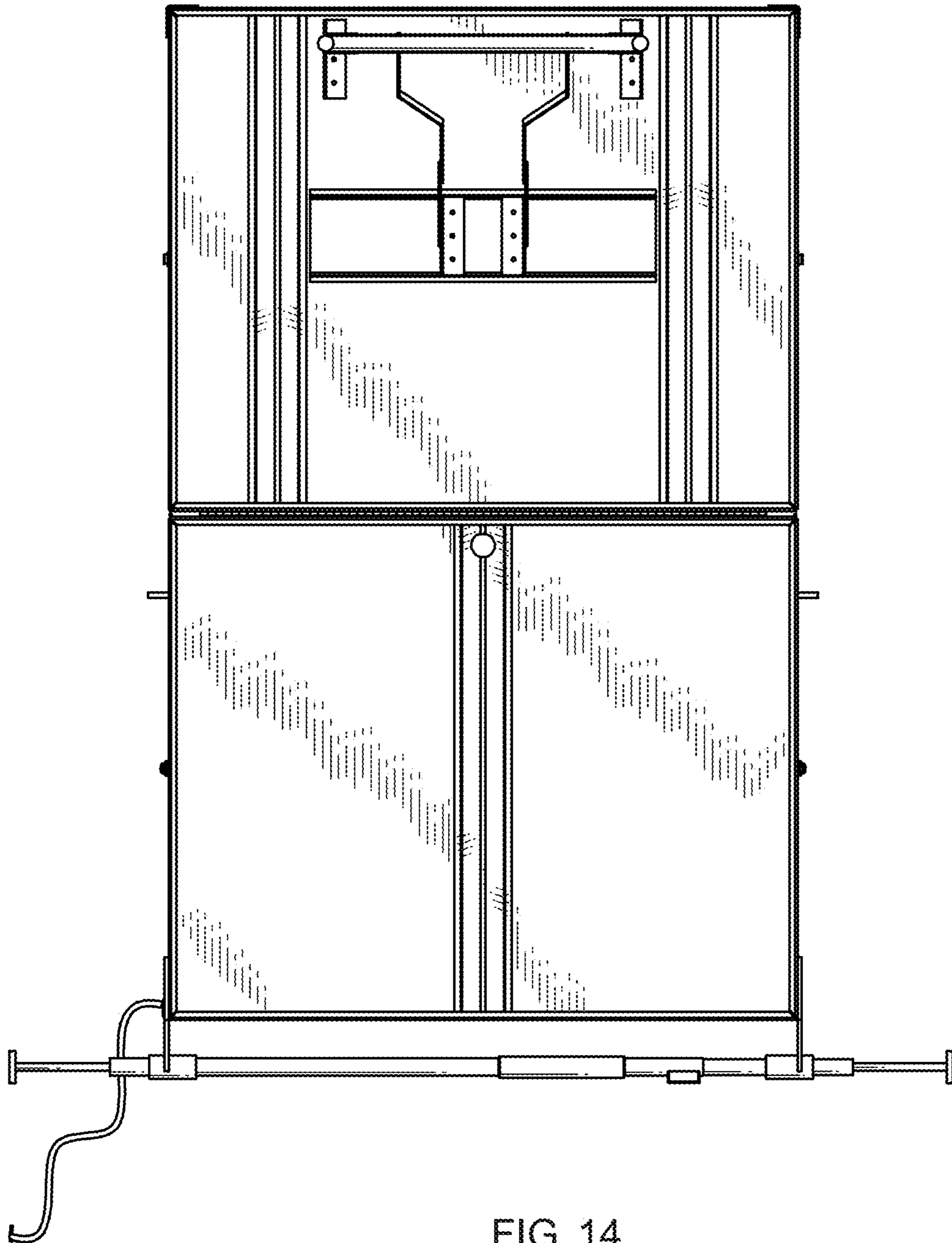


FIG. 14

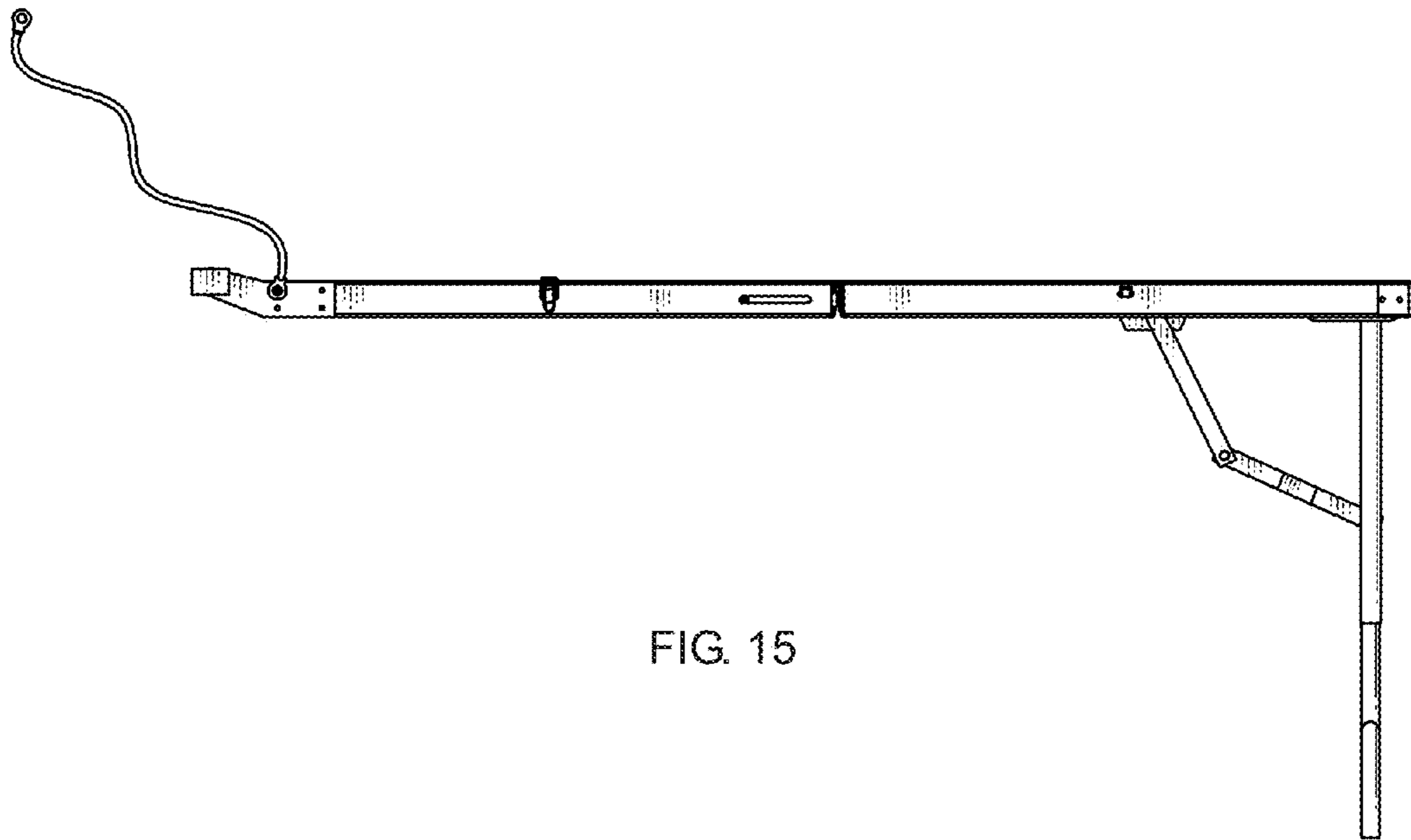


FIG. 15

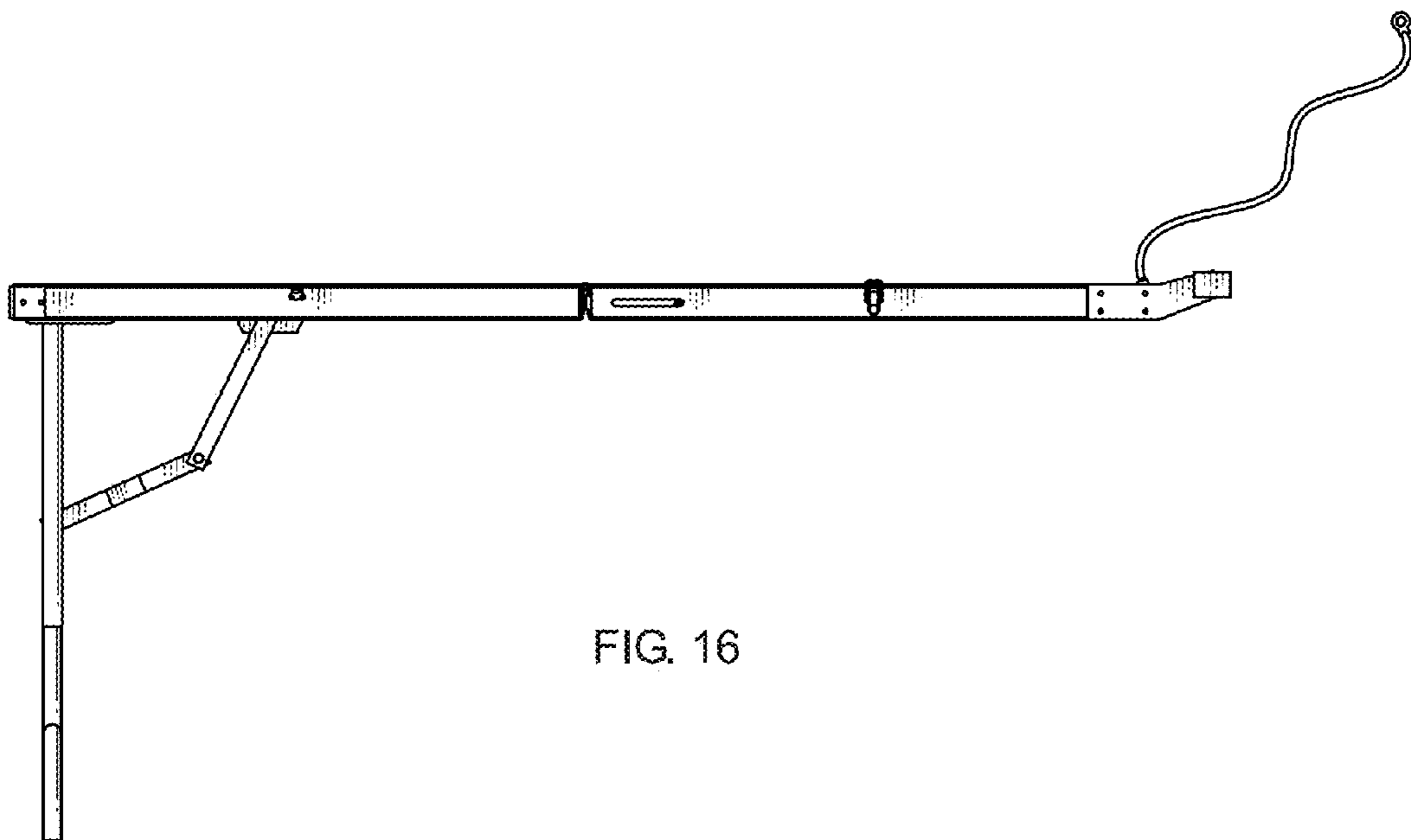


FIG. 16

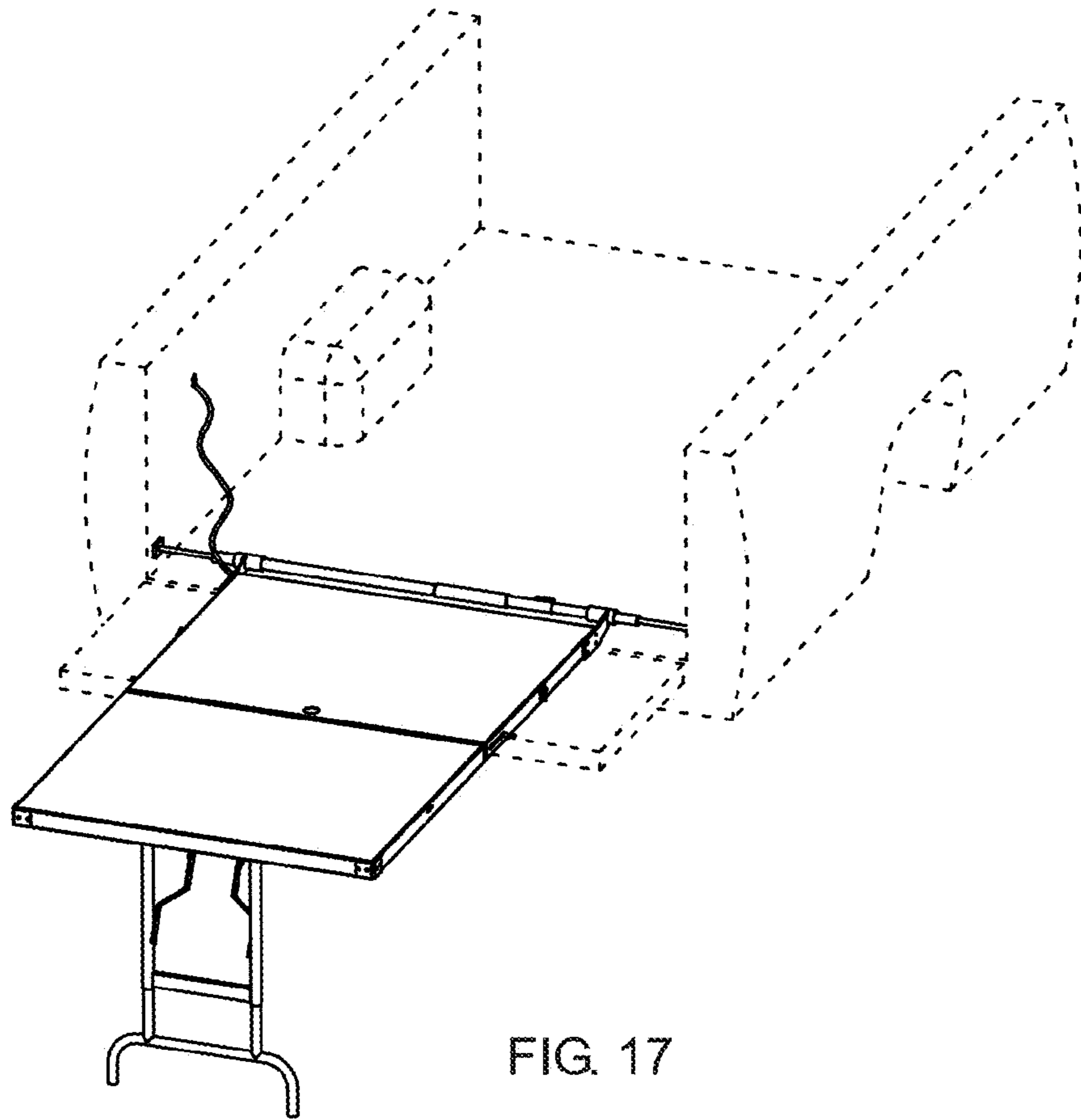


FIG. 17

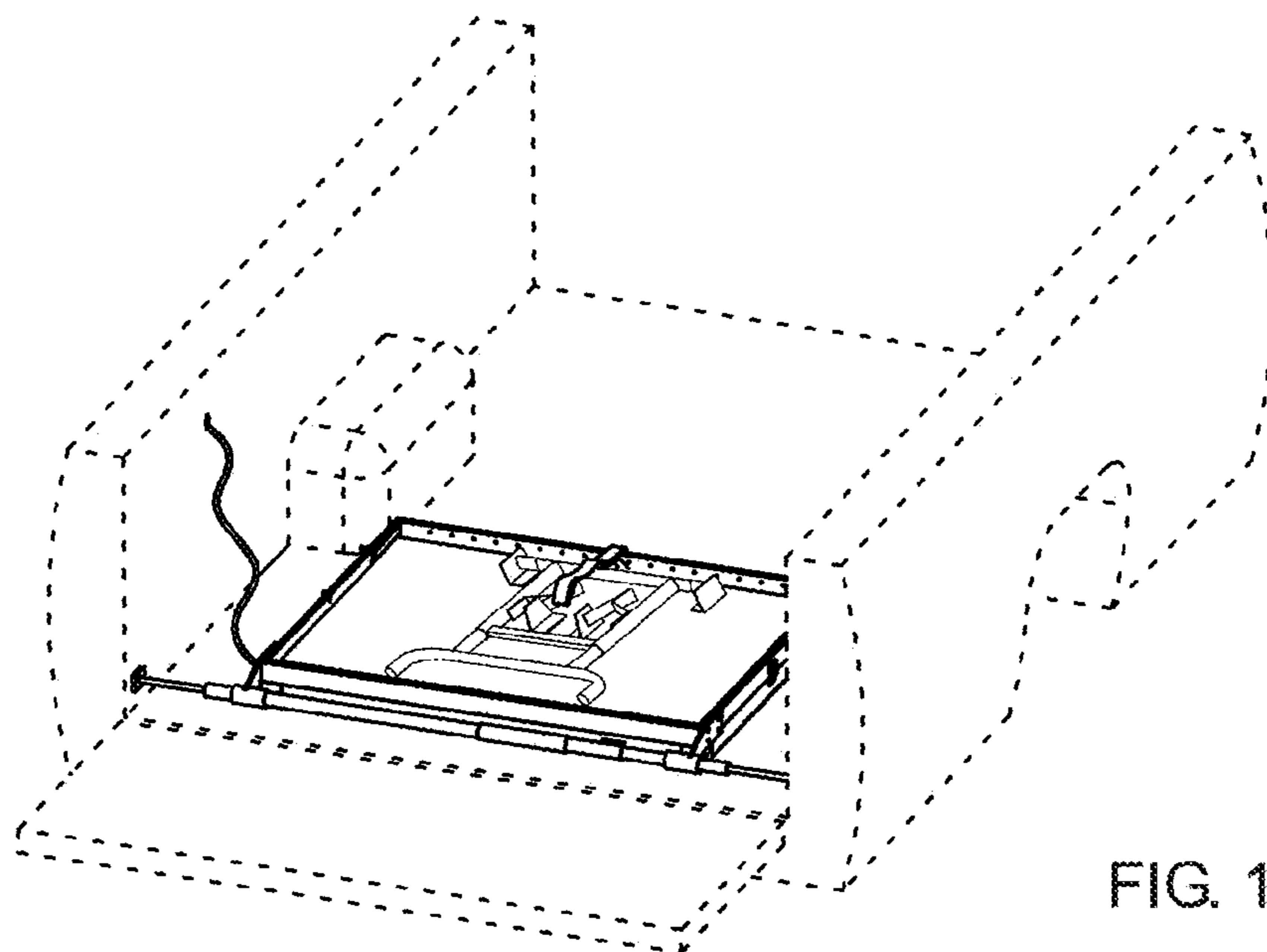


FIG. 18