



US00D747259S

(12) **United States Design Patent**
Scooler et al.

(10) **Patent No.:** **US D747,259 S**
(45) **Date of Patent:** **** Jan. 12, 2016**

(54) **PAIR OF AIRCRAFT WINGS**

(71) Applicant: **Gulfstream Aerospace Corporation,**
Savannah, GA (US)

(72) Inventors: **James Scooler,** Savannah, GA (US);
Angel Barboza, Savannah, GA (US);
Guilherme Oliveria, Savannah, GA
(US); **Andre Martins,** Savannah, GA
(US)

(73) Assignee: **Gulfstream Aerospace Corporation,**
Savannah, GA (US)

(**) Term: **14 Years**

(21) Appl. No.: **29/506,143**

(22) Filed: **Oct. 13, 2014**

(51) **LOC (10) Cl.** **12-07**

(52) **U.S. Cl.**
USPC **D12/345**

(58) **Field of Classification Search**
USPC D12/319, 322, 323, 326, 327, 328, 329,
D12/330, 339, 341, 342, 343, 344, 345;
D21/436, 438, 439, 440, 441, 446, 447,
D21/448, 449, 450, 453
CPC B64C 39/00; B64C 30/00; B64C 29/00
See application file for complete search history.

(56) **References Cited**

U.S. PATENT DOCUMENTS

D326,842 S * 6/1992 Buchsel et al. D12/319
D499,688 S * 12/2004 Atkinson et al. D12/319
D500,281 S * 12/2004 Aruga et al. D12/319
7,083,143 B2 * 8/2006 Whitmer et al. 244/54
D537,029 S * 2/2007 Eakins et al. D12/319
D619,076 S * 7/2010 Guering D12/343
D624,480 S * 9/2010 Guering D12/343
7,850,126 B2 * 12/2010 Crouch et al. 244/200

D634,696 S * 3/2011 Saint-Jalmes et al. D12/345
7,907,545 B2 * 3/2011 Ric 370/254
8,214,089 B2 * 7/2012 Caldeira et al. 701/6
D674,734 S * 1/2013 Fujino et al. D12/345
8,490,925 B2 * 7/2013 Buescher et al. 244/199.4

OTHER PUBLICATIONS

Gulfstream Aerospace Corporation, Gulfstream G150 Brochure.
Gulfstream Aerospace Corporation, Gulfstream G150 Fleet Product
Specifications.
Gulfstream Aerospace Corporation, Gulfstream G280 Fleet Product
Specifications.
Gulfstream Aerospace Corporation, Gulfstream G450 Fleet Product
Specifications.
Gulfstream Aerospace Corporation, Gulfstream G550 Fleet Product
Specifications.

(Continued)

Primary Examiner — Robert M Spear

Assistant Examiner — Marissa J Cash

(74) *Attorney, Agent, or Firm* — Ingrassia, Fisher & Lorenz
PC

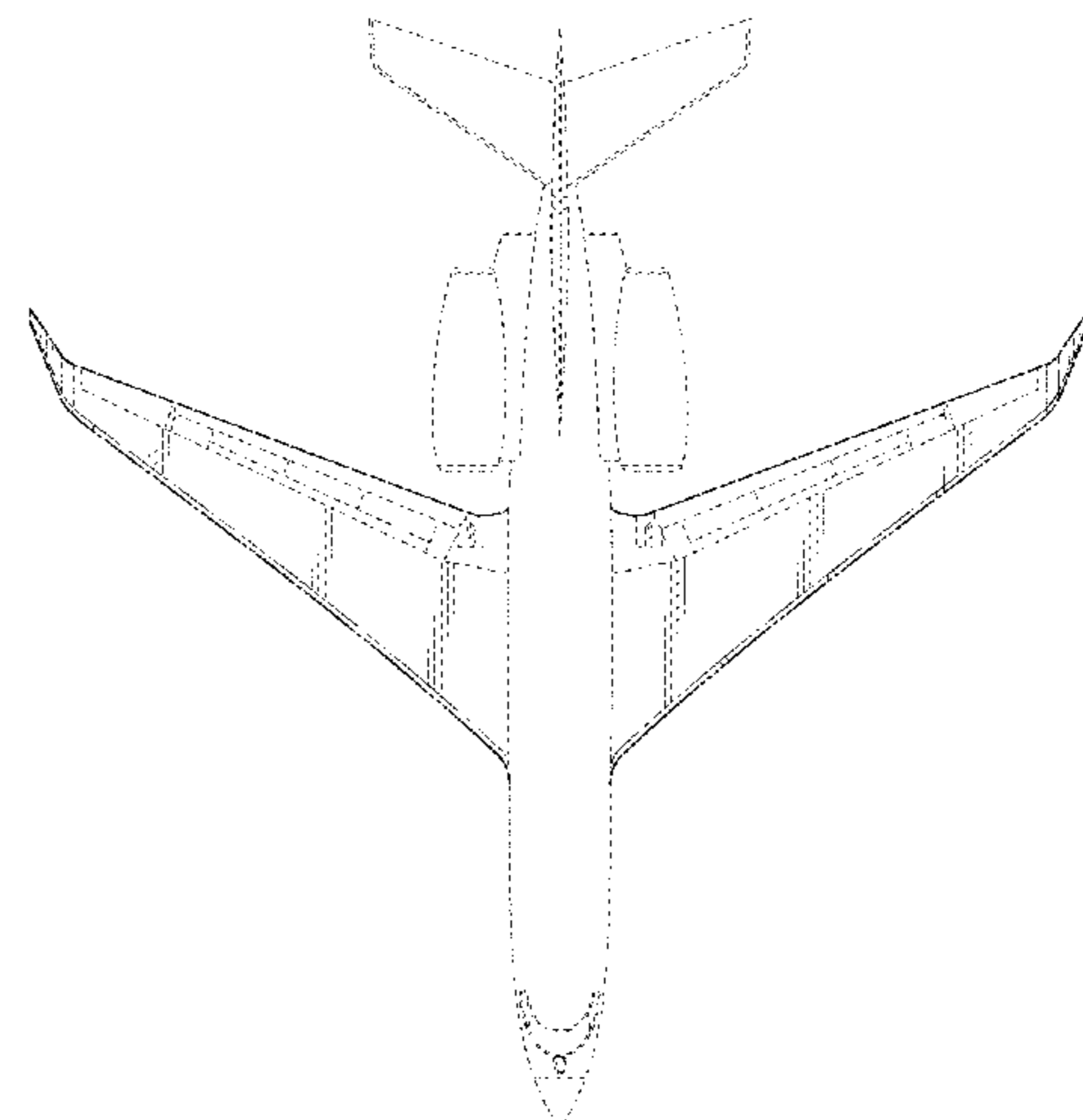
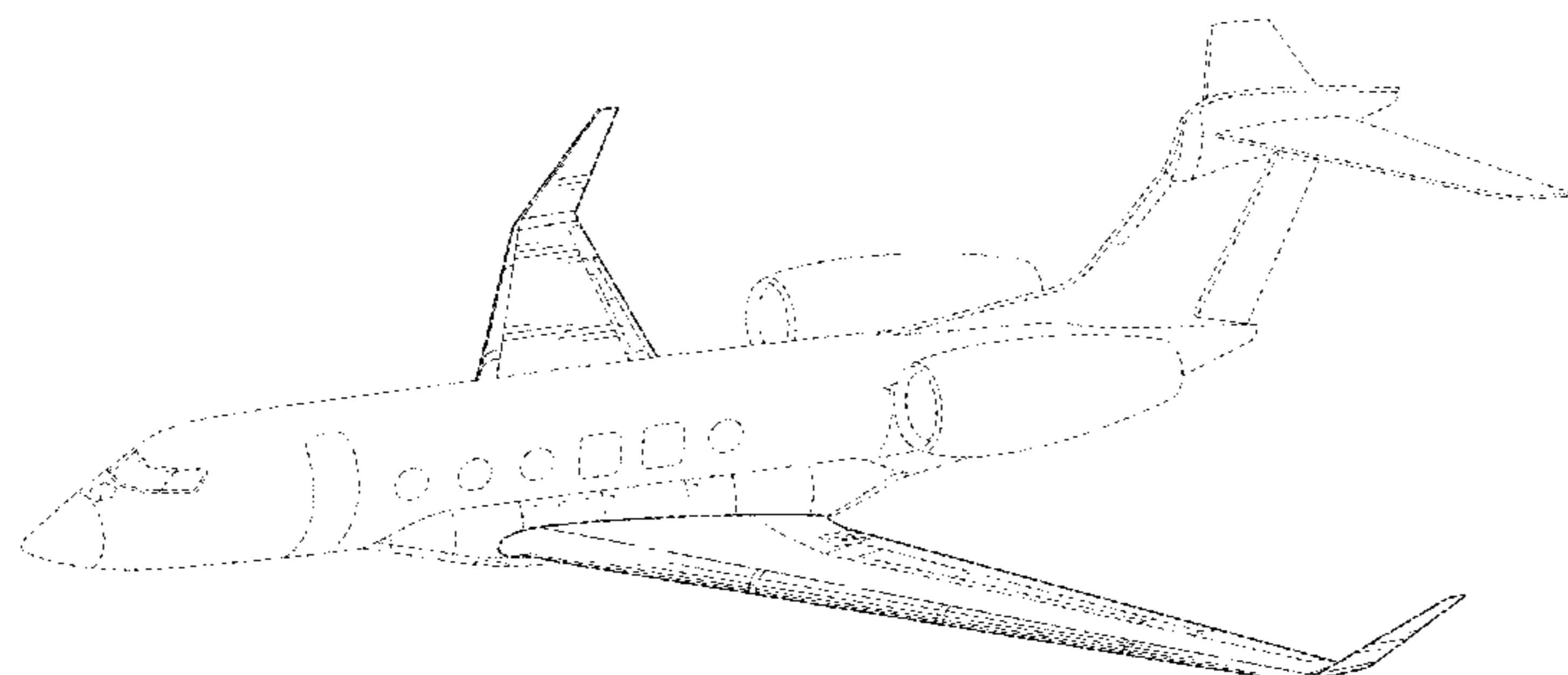
(57) **CLAIM**

The ornamental design for a pair of aircraft wings, as shown
and described.

DESCRIPTION

FIG. 1 is a front perspective view of a pair of aircraft wings
showing our new design;
FIG. 2 is a front view thereof;
FIG. 3 is a back view thereof;
FIG. 4 is a first side view thereof;
FIG. 5 is a second side view thereof;
FIG. 6 is a top view thereof; and,
FIG. 7 is a bottom view thereof.
The broken lines illustrate environment and structure that
form no part of the claimed design.

1 Claim, 5 Drawing Sheets



(56)

References Cited

OTHER PUBLICATIONS

Gulfstream Aerospace Corporation, Gulfstream G650 Product Brochure.

Gulfstream Aerospace Corporation, Gulfstream G650 Product Specification.

Gulfstream Aerospace Corporation, Gulfstream G650ER Product Specification.

* cited by examiner

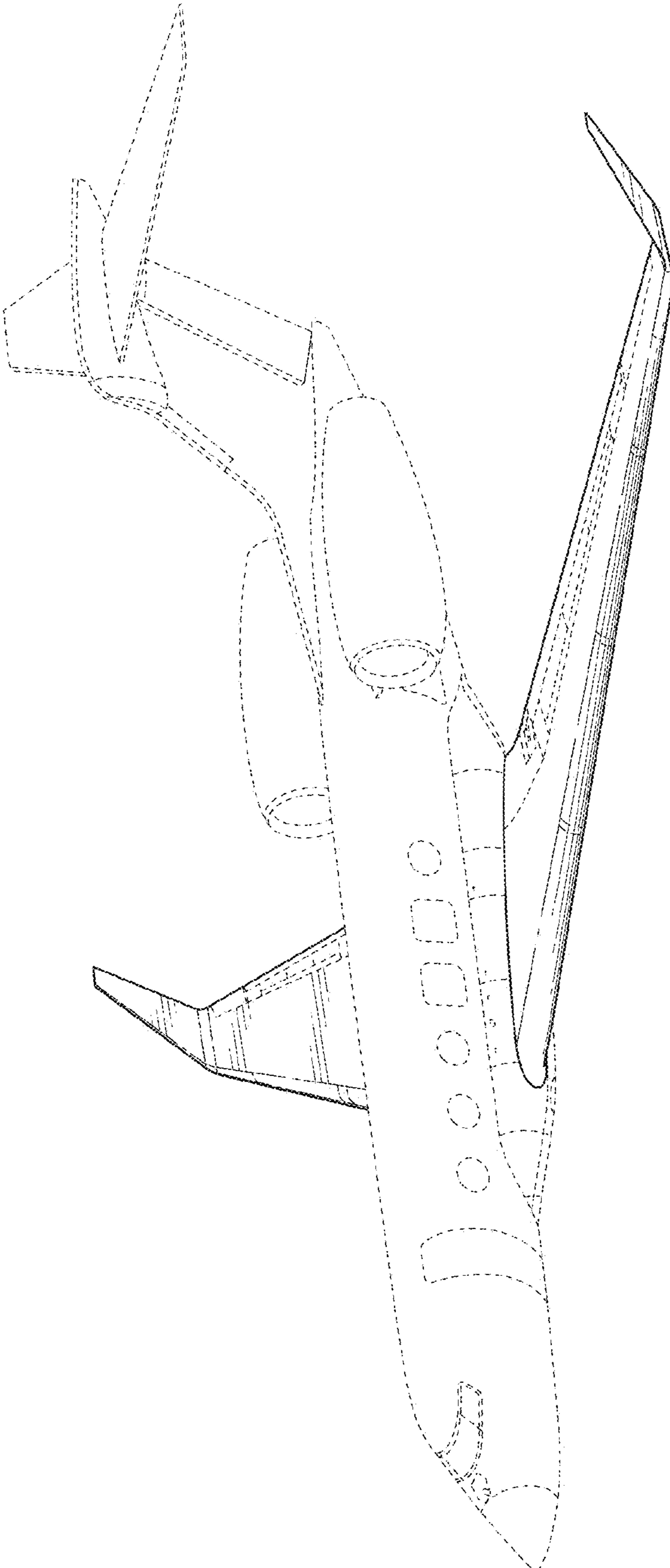


FIG. 1

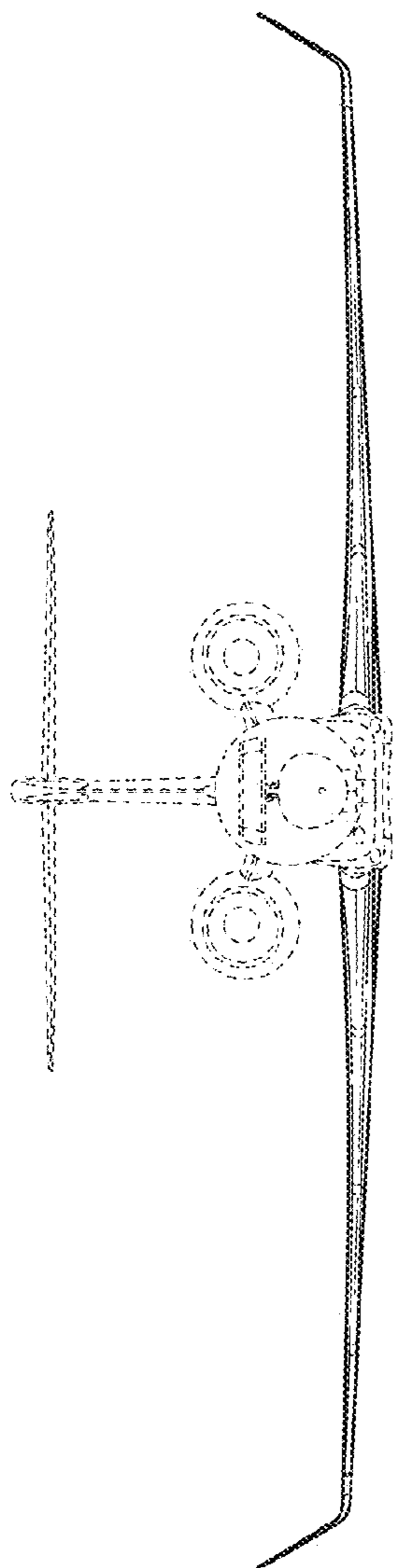


FIG. 2

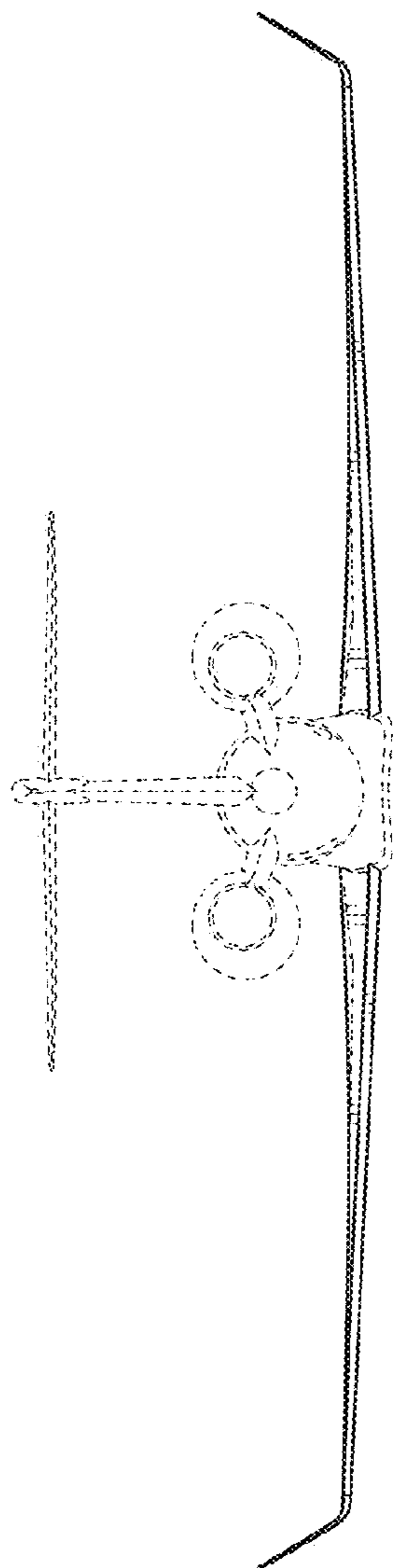


FIG. 3

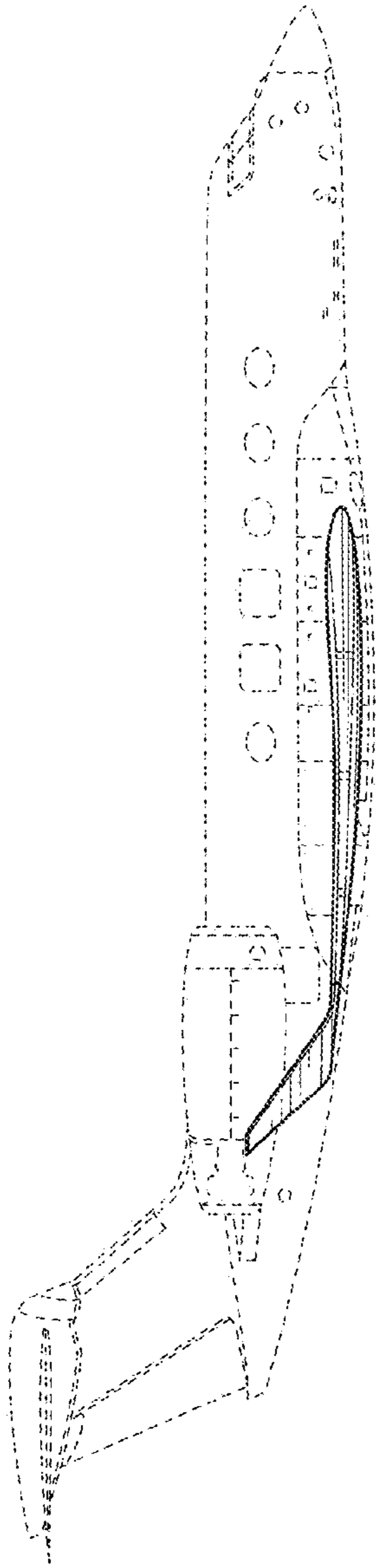


FIG. 4

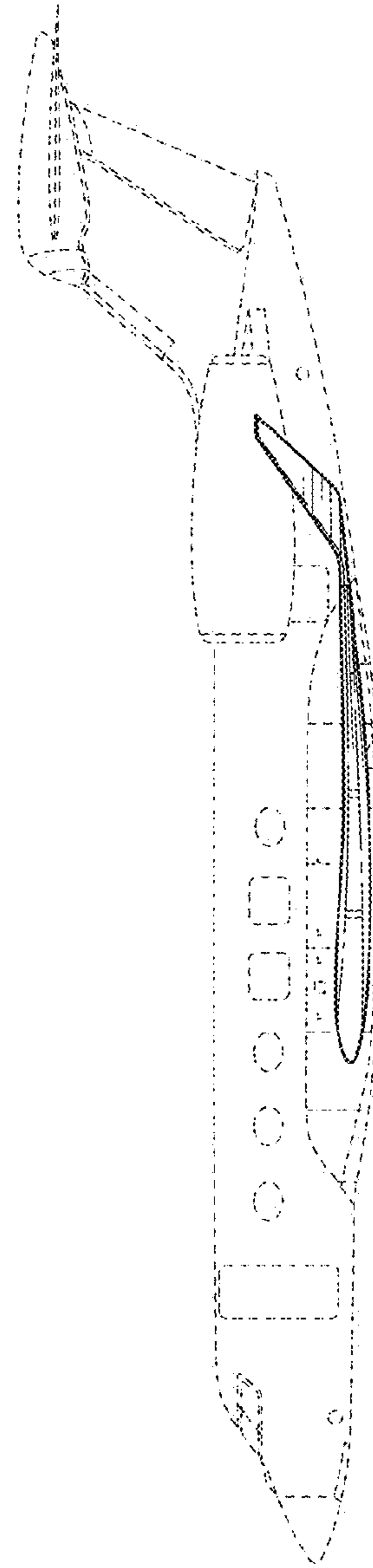


FIG. 5

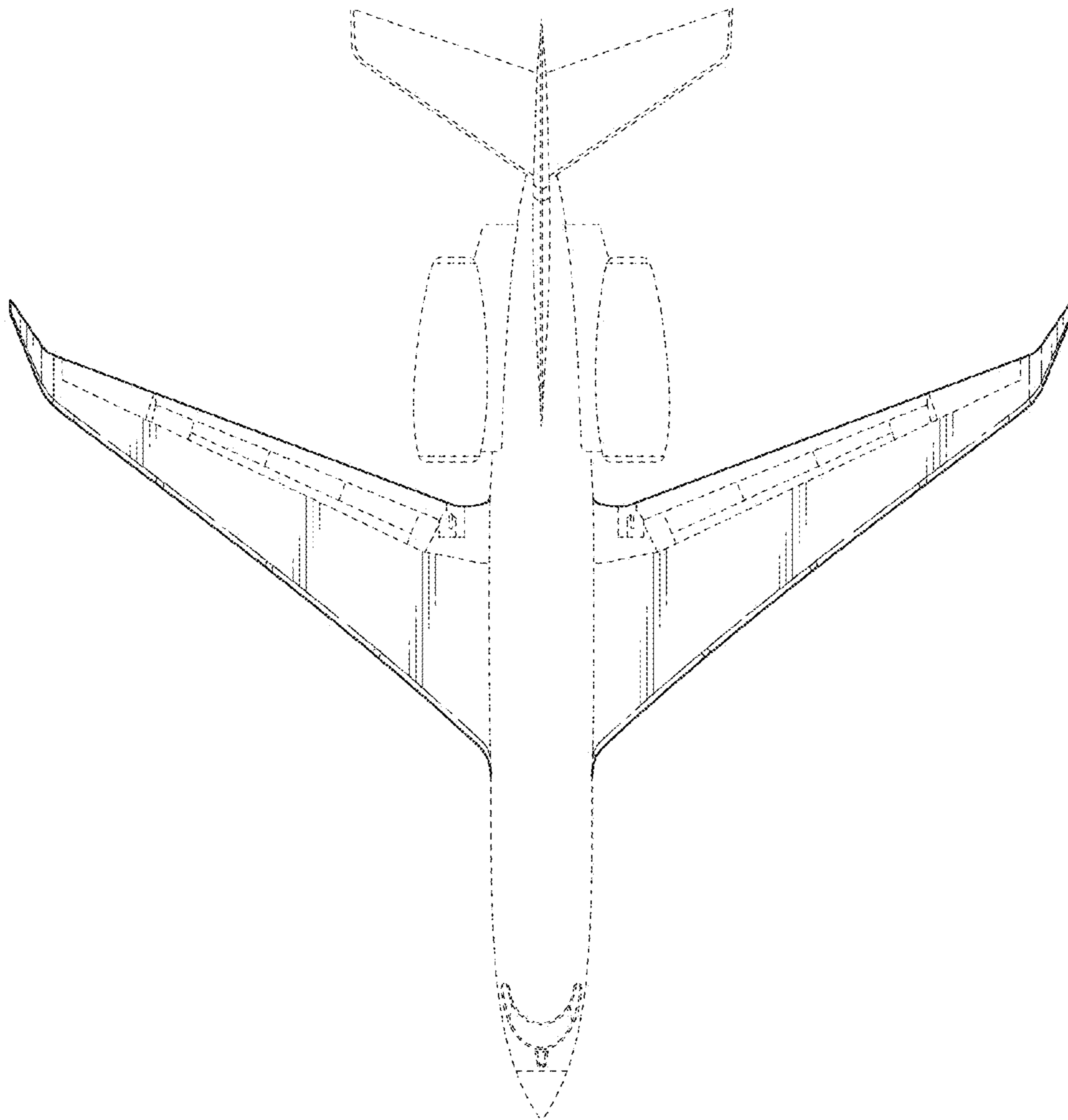


FIG. 6

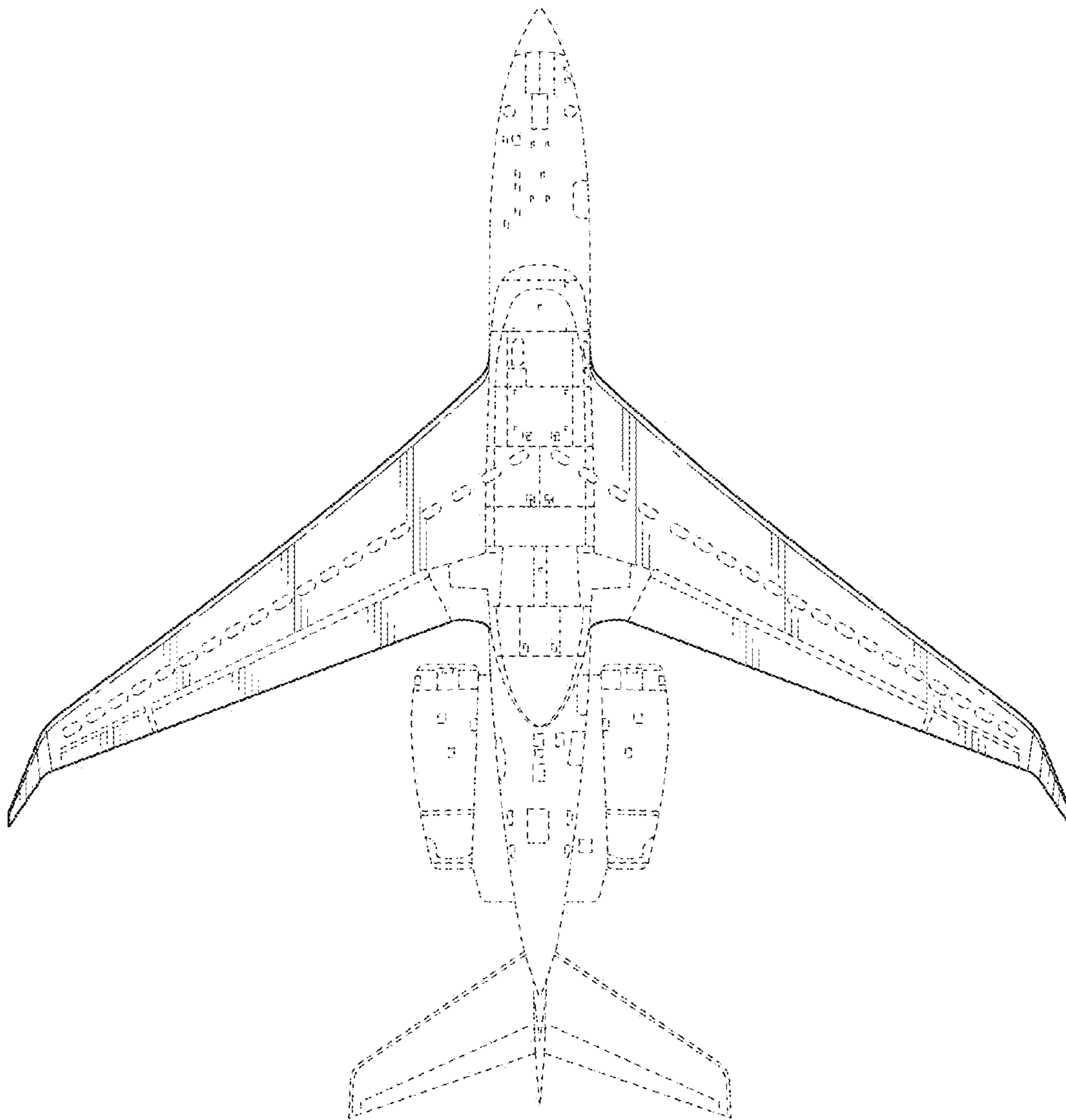


FIG. 7