



US00D747258S

(12) **United States Design Patent**
Craig et al.

(10) **Patent No.:** **US D747,258 S**
(45) **Date of Patent:** **** Jan. 12, 2016**

- (54) **EASY ROLL GAME**
- (71) Applicant: **Intex Syndicate Ltd.**, Hung hom,
Kowloon (HK)
- (72) Inventors: **Peter Marshall Craig**, Kowloon (HK);
Steven Quinn Brandt, Kowloon (HK)
- (73) Assignee: **INTEX SYNDICATE LTD.**, Kowloon
(HK)

D268,600	S	*	4/1983	Lee	D21/324
4,770,416	A	*	9/1988	Shimizu et al.	463/9
4,895,364	A	*	1/1990	Martel et al.	273/237
5,048,739	A	*	9/1991	Unuma et al.	226/74
D354,993	S	*	1/1995	Morrison et al.	D21/324
D378,225	S	*	2/1997	Wong	D21/324
D469,474	S	*	1/2003	Van Ness	D21/324
D520,569	S	*	5/2006	Lin	D21/324
D536,387	S	*	2/2007	Kaminkow et al.	D21/385
D557,346	S	*	12/2007	Hall et al.	D21/324
D603,457	S	*	11/2009	Julskjer et al.	D21/324

(**) Term: **14 Years**

(21) Appl. No.: **29/504,417**

(22) Filed: **Oct. 6, 2014**

(51) **LOC (10) Cl.** **21-01**

(52) **U.S. Cl.**
USPC **D12/324; D21/328**

(58) **Field of Classification Search**
USPC D21/324, 328, 333, 403-408; 273/38.1,
273/138.2-138.5, 148 R, 454-456; 463/1,
463/29-35, 46, 47
CPC A63B 47/00; A63B 71/06; A63F 3/00;
A63F 7/08; A63F 9/00; A63F 11/00
See application file for complete search history.

(56) **References Cited**

U.S. PATENT DOCUMENTS

3,841,629	A	*	10/1974	Barlow	273/440
4,363,482	A	*	12/1982	Goldfarb	463/9

* cited by examiner

Primary Examiner — Prabhakar Deshmukh

(74) *Attorney, Agent, or Firm* — GTC Law Group LLP & Affiliates

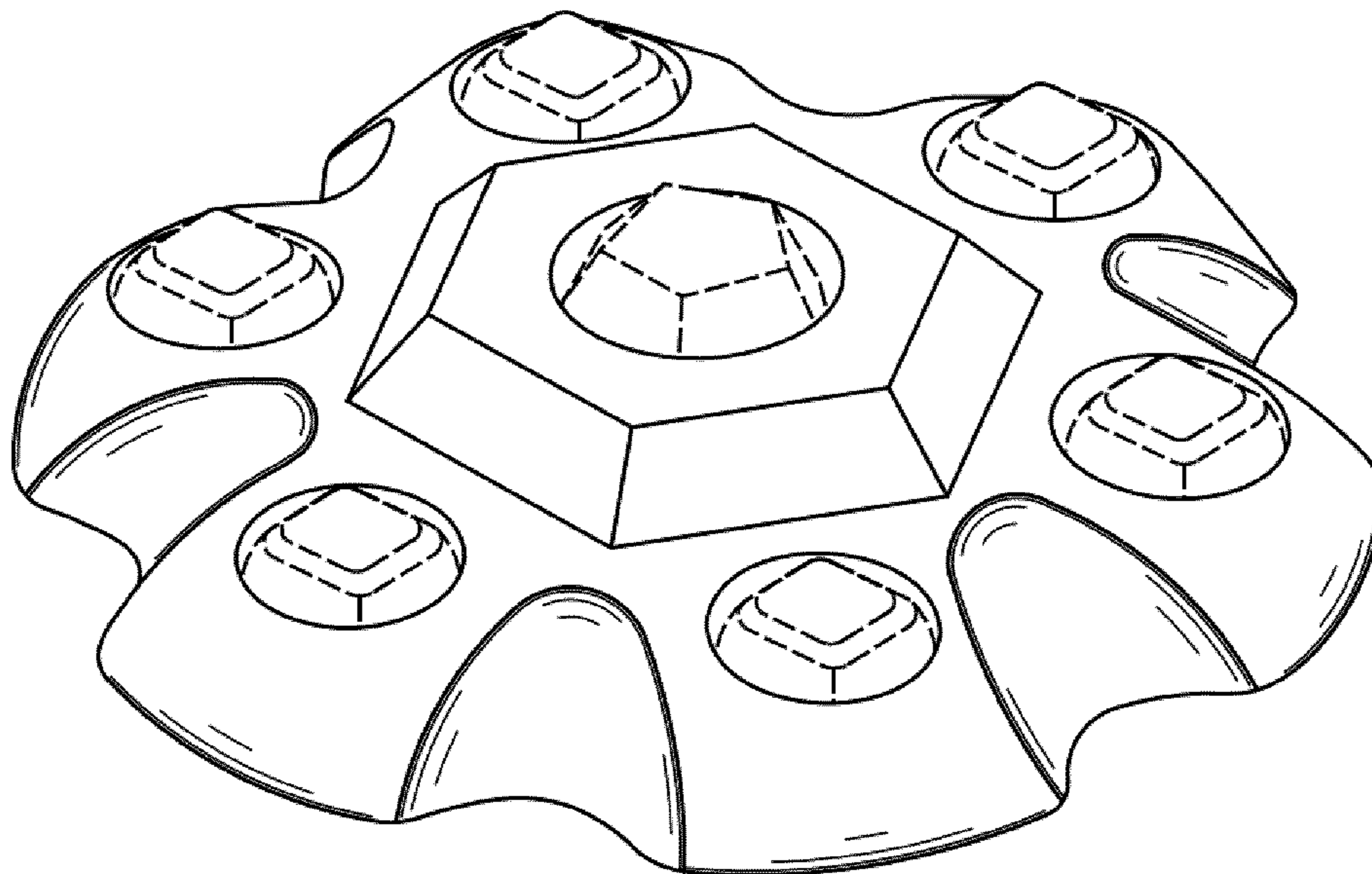
(57) **CLAIM**

The ornamental design for an easy roll game, as shown.

DESCRIPTION

FIG. 1 is a perspective view of an easy roll game showing our new design;
FIG. 2 is a front elevational view thereof;
FIG. 3 is a rear elevational view thereof;
FIG. 4 is a left side elevation view thereof;
FIG. 5 is a right side elevation view thereof;
FIG. 6 is a top plan view thereof; and,
FIG. 7 is a bottom plan view thereof.
The broken lines indicate unclaimed portions and form no part of the claimed design.

1 Claim, 4 Drawing Sheets



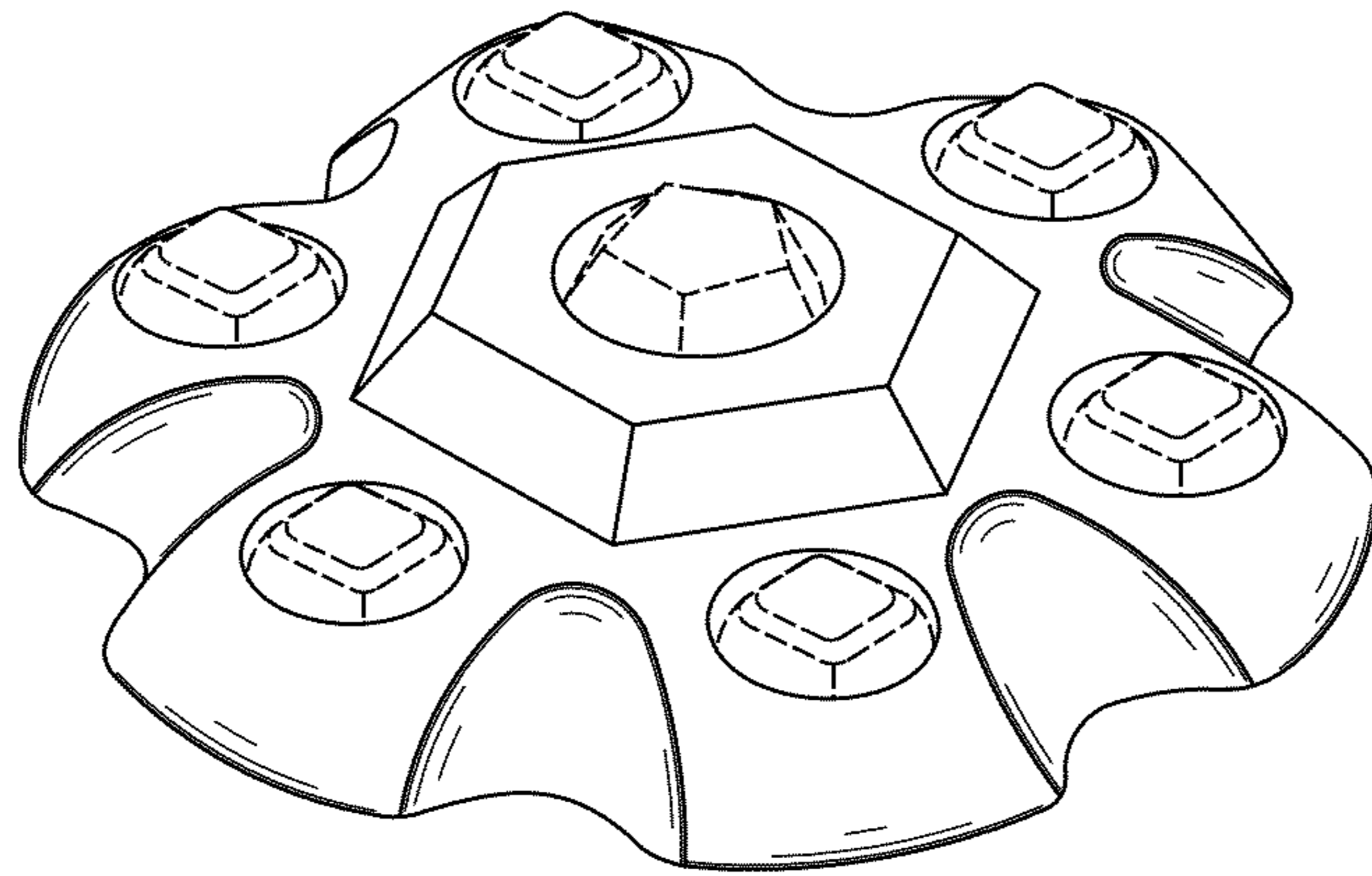


FIG. 1

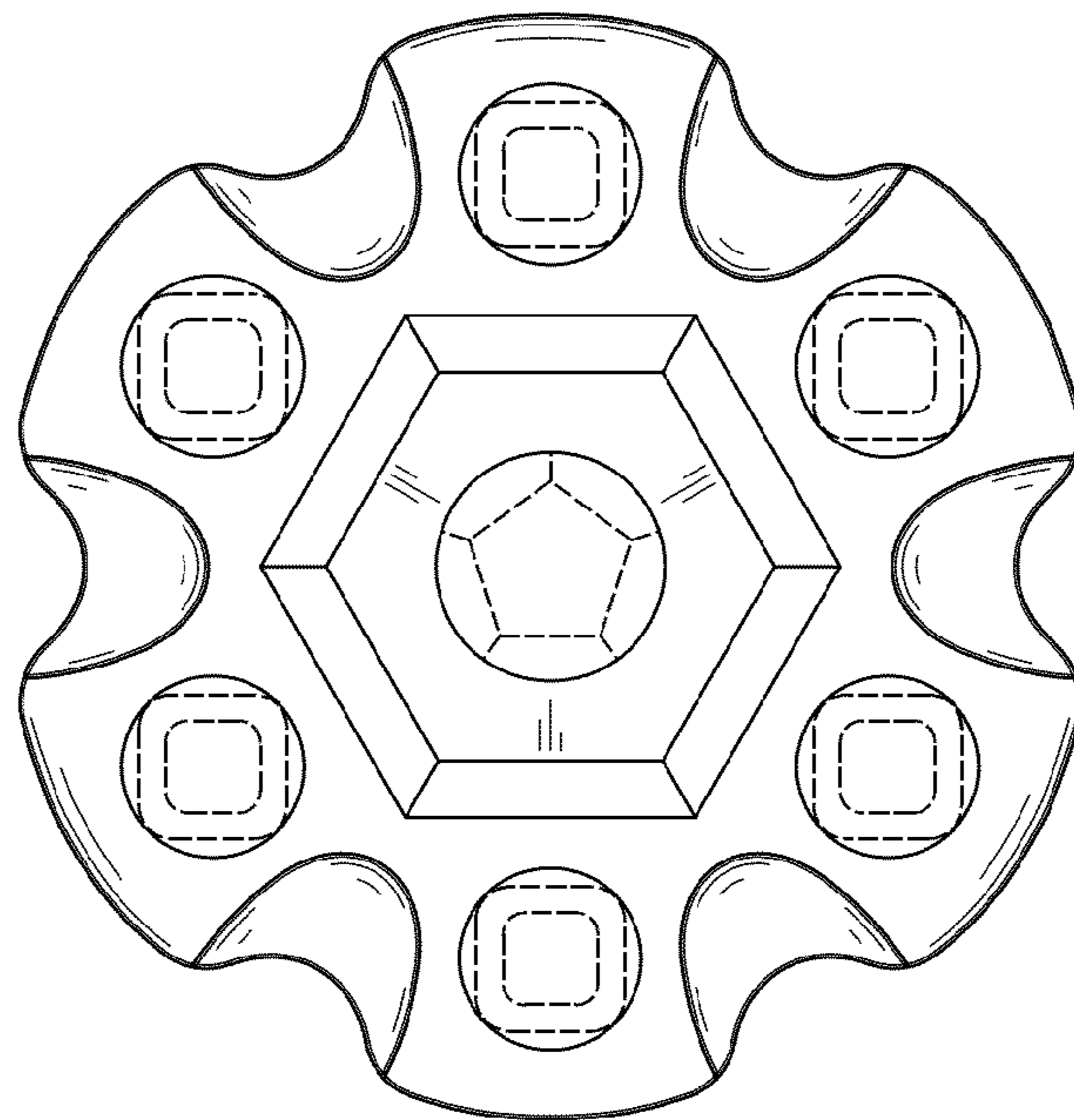


FIG. 2

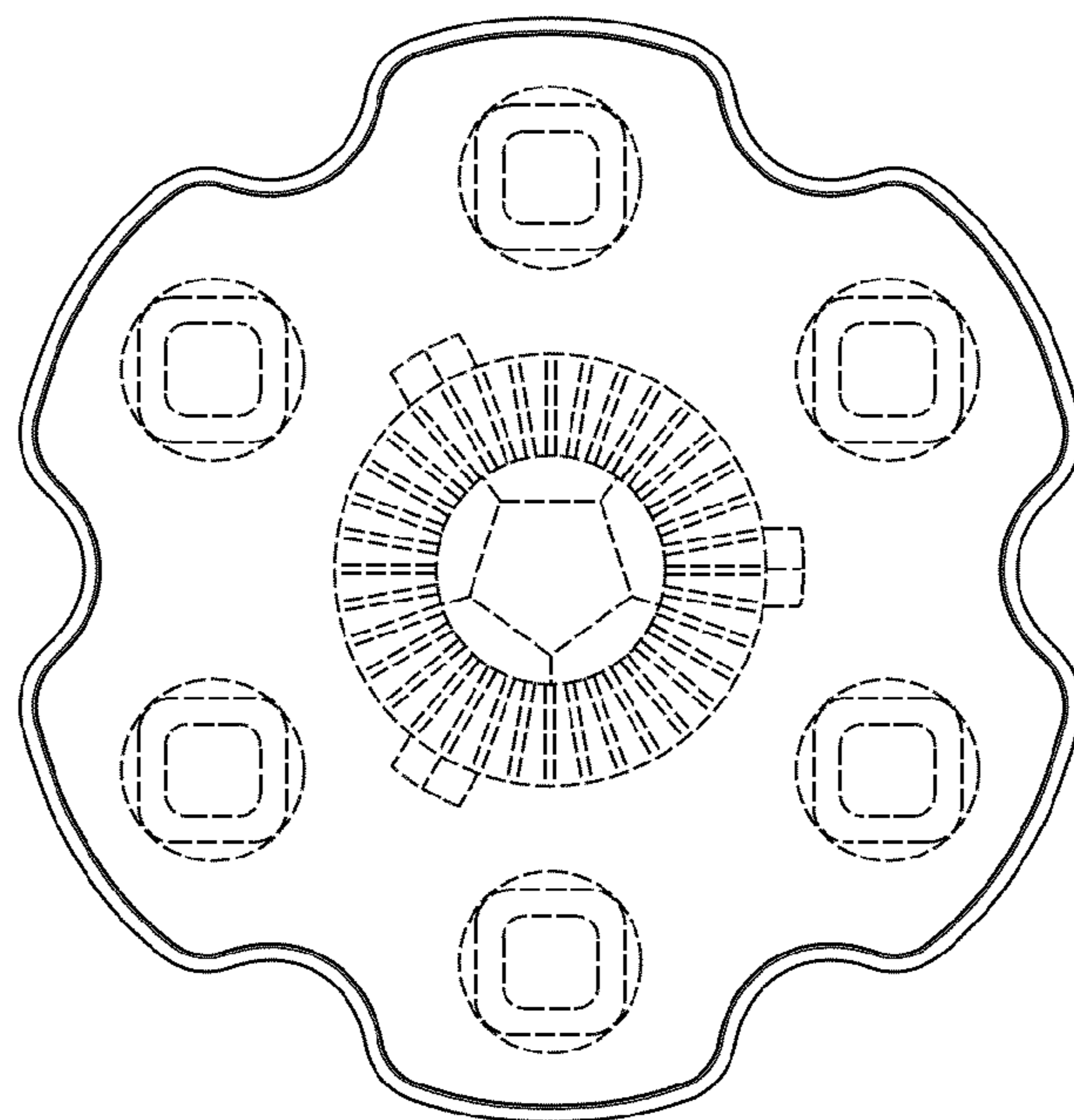


FIG. 3

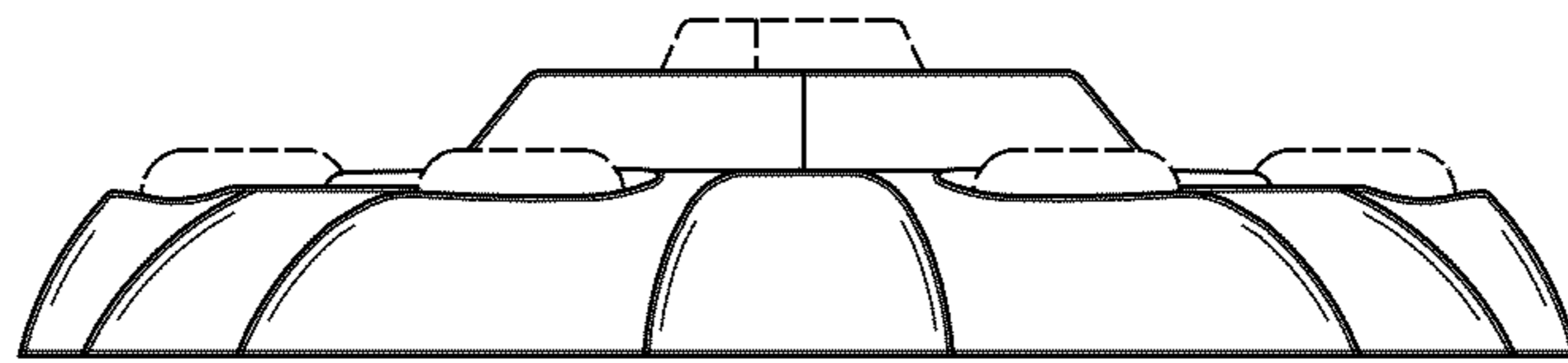


FIG. 4

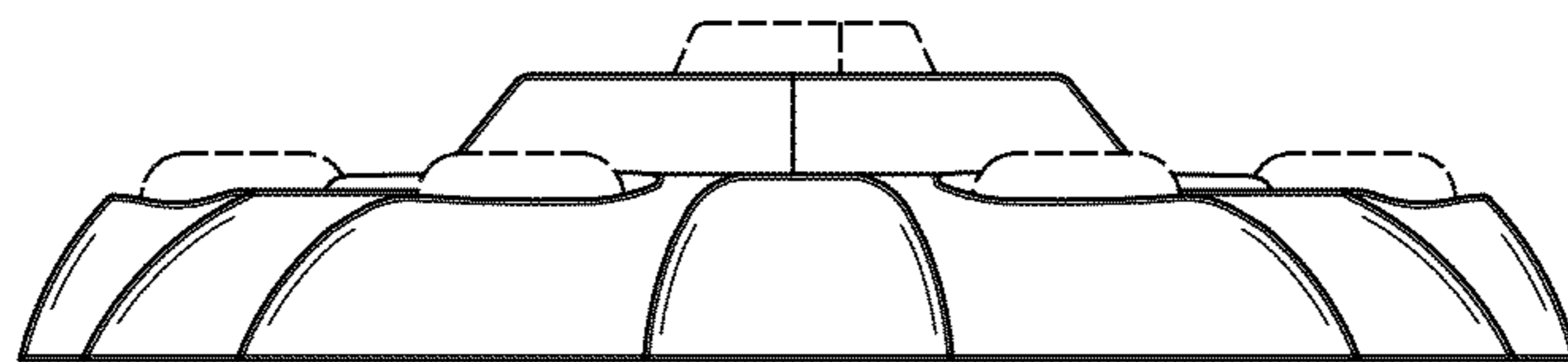


FIG. 5

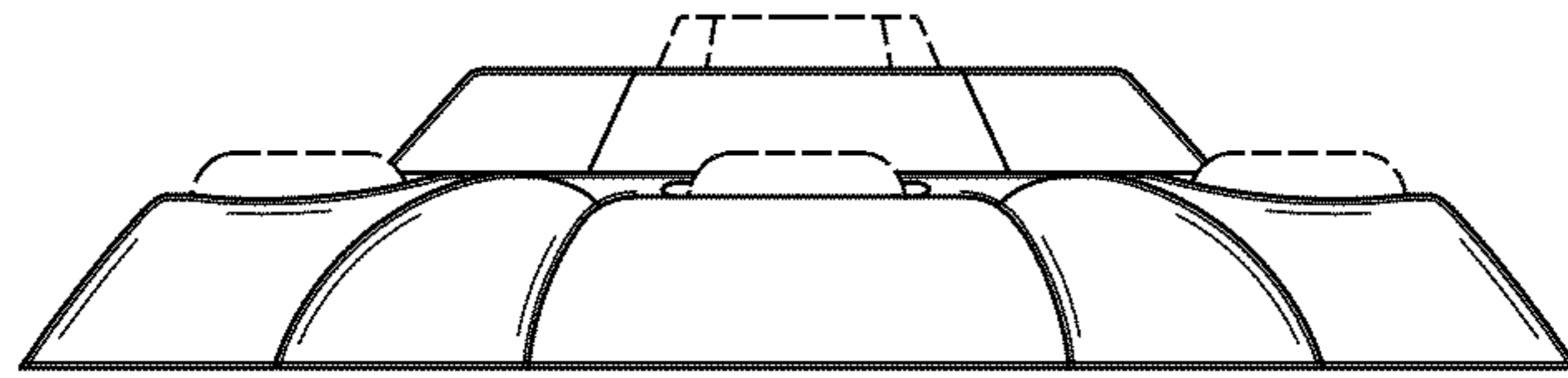


FIG. 6

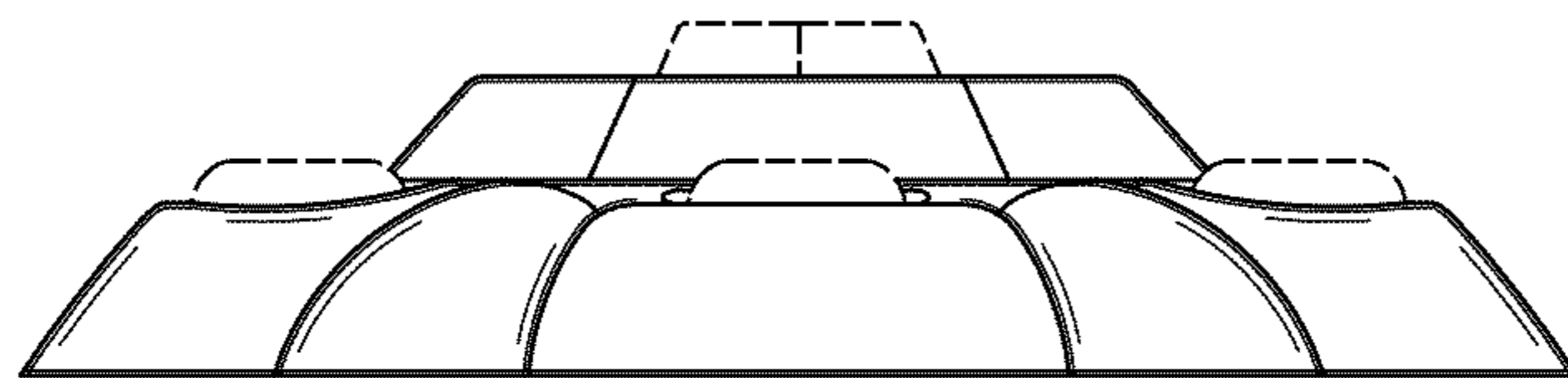


FIG. 7