



US00D747257S

(12) **United States Design Patent**
Bowden

(10) **Patent No.:** **US D747,257 S**
(45) **Date of Patent:** **** Jan. 12, 2016**

(54) **WHEEL RIM TRIM**

(71) Applicant: **Darren Anthony Grant Bowden,**
Taunton (GB)

(72) Inventor: **Darren Anthony Grant Bowden,**
Taunton (GB)

(**) Term: **14 Years**

(21) Appl. No.: **29/445,614**

(22) Filed: **Feb. 14, 2013**

(51) **LOC (10) Cl.** **12-16**

(52) **U.S. Cl.**
USPC **D12/213**

(58) **Field of Classification Search**
USPC D12/204–213, 190, 604; 301/37.24,
301/37.22, 37.35, 37.23
CPC B60B 7/01; B60B 7/10; B60B 7/06
See application file for complete search history.

(56) **References Cited**

U.S. PATENT DOCUMENTS

D30,037 S *	1/1899	Haak	D12/604
D31,565 S *	9/1899	McCaslin	D12/208
D31,566 S *	9/1899	McCaslin	D12/208
1,416,187 A *	5/1922	Gammeter	D12/604
5,511,857 A *	4/1996	Ichikawa et al.	301/37.23
D556,676 S *	12/2007	Montesinos	D12/604
D703,604 S *	4/2014	Milicevic et al.	D12/213
8,985,706 B2 *	3/2015	Dower	301/37.24

* cited by examiner

Primary Examiner — Stacia Cadmus

(74) *Attorney, Agent, or Firm* — Thedford I. Hitaffer;
Hitaffer & Hitaffer, PLLC

(57) **CLAIM**

The ornamental design for a wheel rim trim, as shown and described.

DESCRIPTION

FIG. 1 is an environmental front perspective view of a wheel rim trim showing my design.

FIG. 2 is a front perspective view of the trim shown in FIG. 1.

FIG. 3 is a rear perspective view of the trim shown in FIG. 2.

FIG. 4 is an enlarged front perspective view of the trim disposed in a linear fashion.

FIG. 5 is a front view of the trim shown in FIG. 4.

FIG. 6 is a rear view of the trim shown in FIG. 4.

FIG. 7 is a top plan view of the trim shown in FIG. 4.

FIG. 8 is a bottom plan view of the trim shown in FIG. 4.

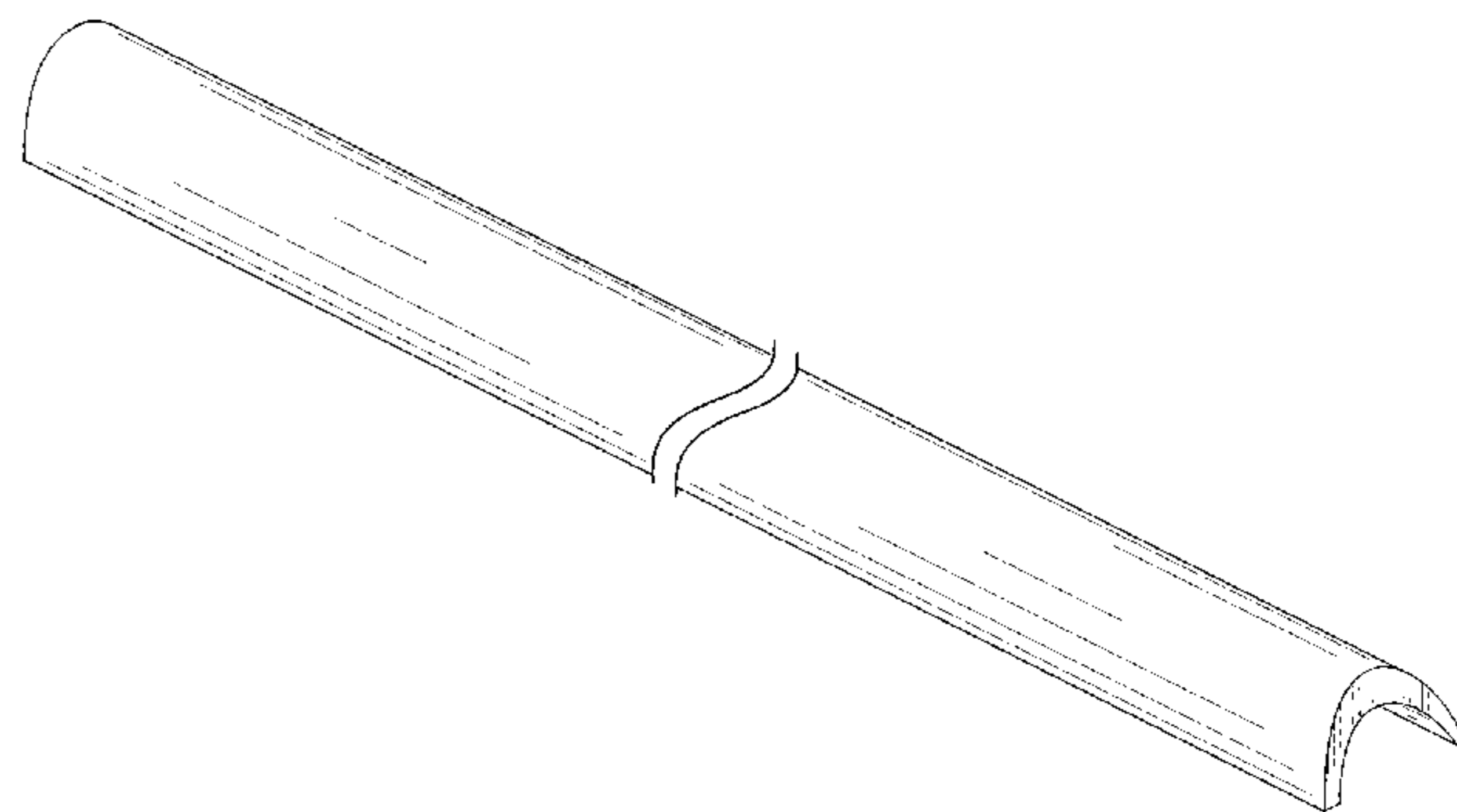
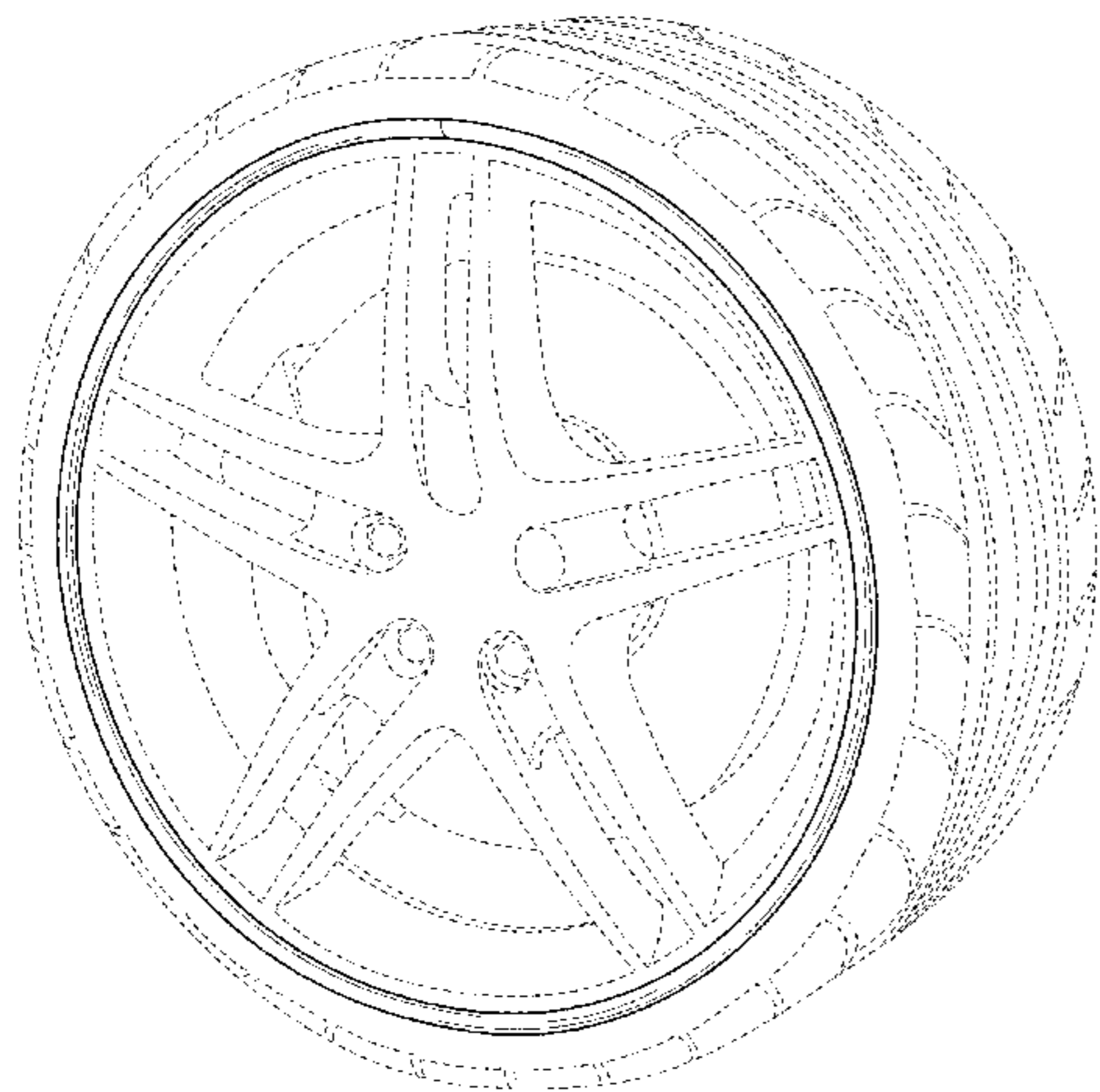
FIG. 9 is a right side elevational view of the trim shown in FIG. 4; and,

FIG. 10 is a left side elevational view of the trim shown in FIG. 4.

The wheel rim trim is shown broken away in FIGS. 4-8 for ease of illustration.

The broken line showing of the tire tread and wheel in FIG. 1 is included for the purpose of illustrating environment and forms no part of the claimed design.

1 Claim, 7 Drawing Sheets



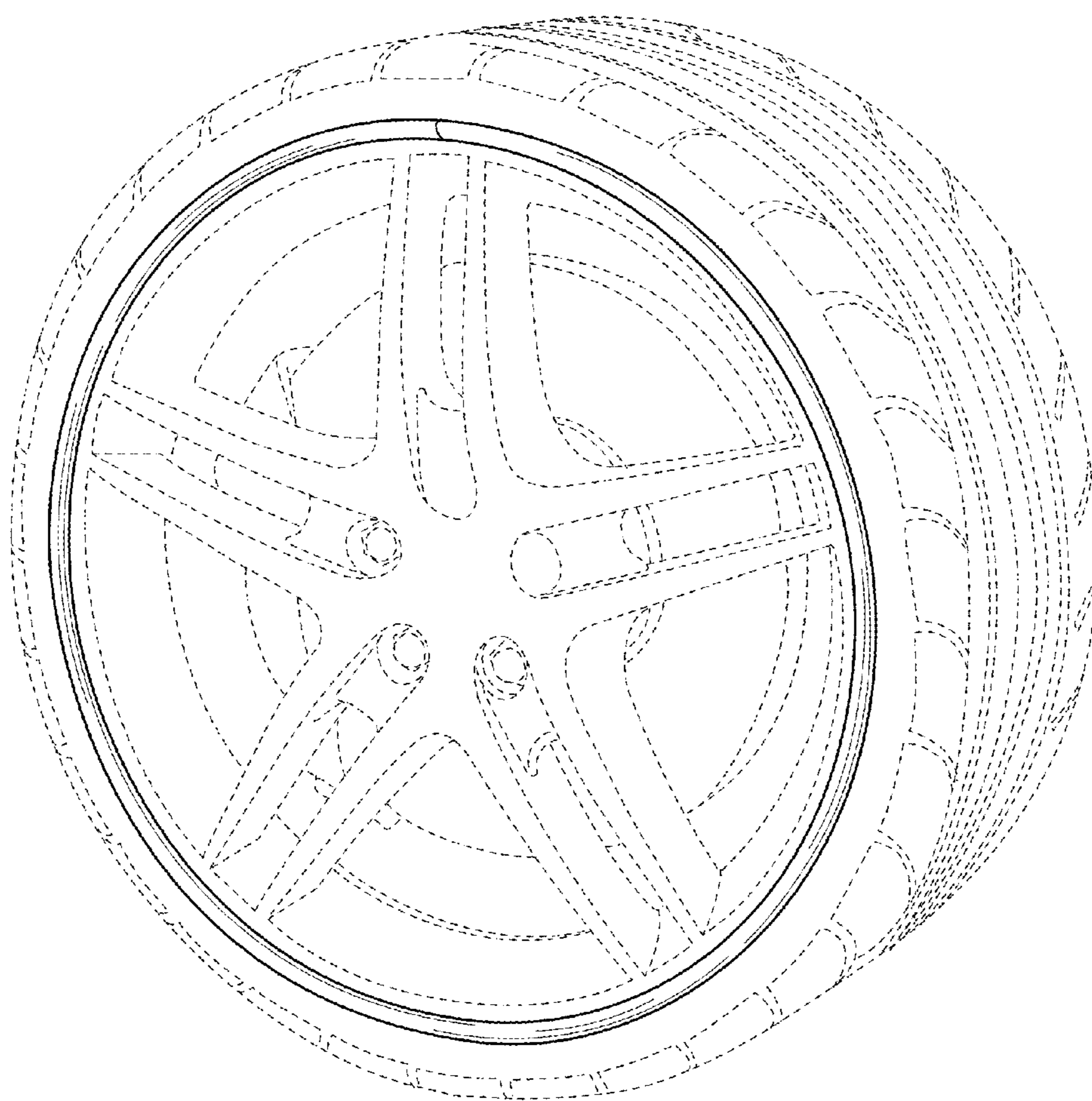


FIG. 1

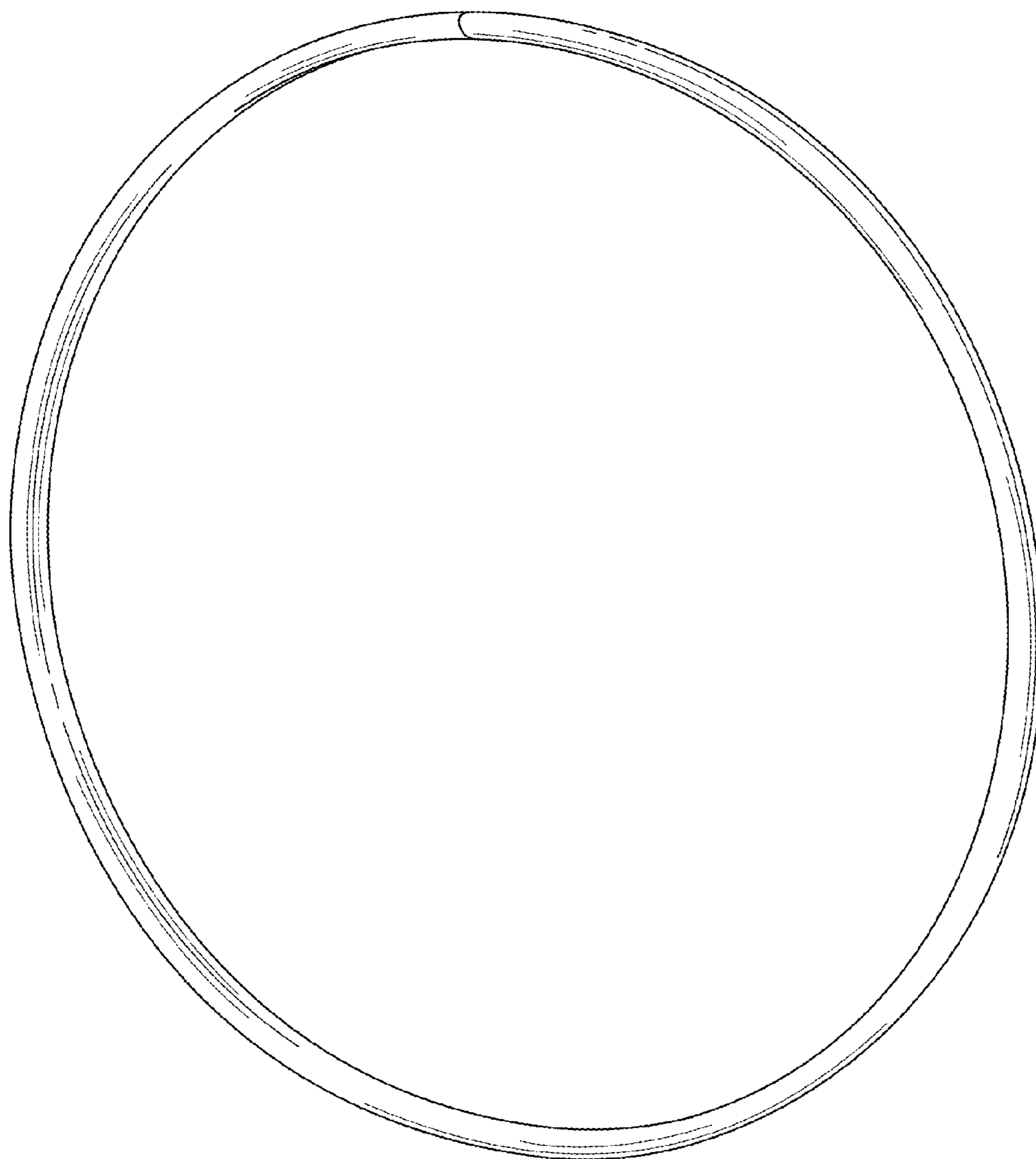


FIG. 2

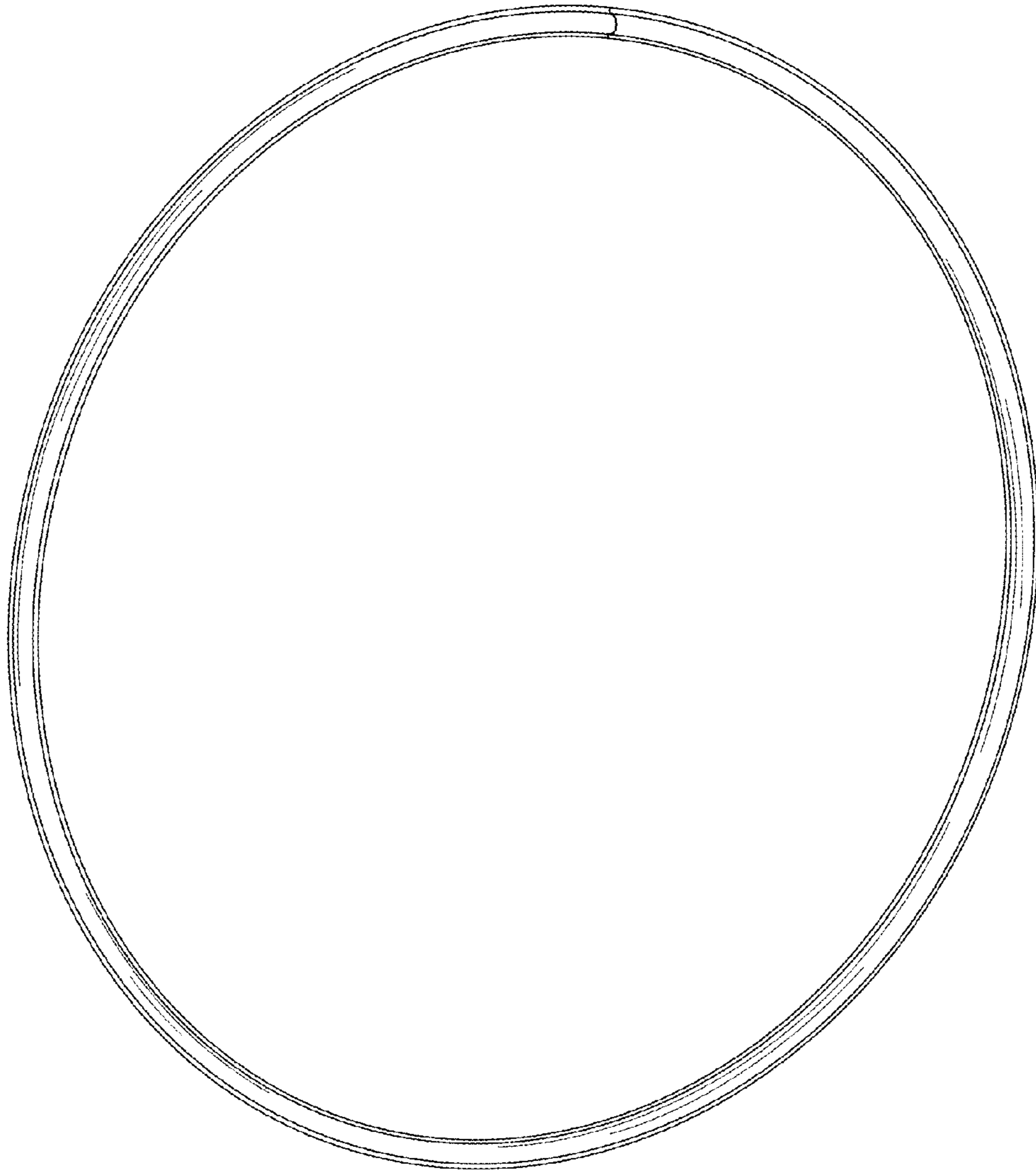


FIG. 3

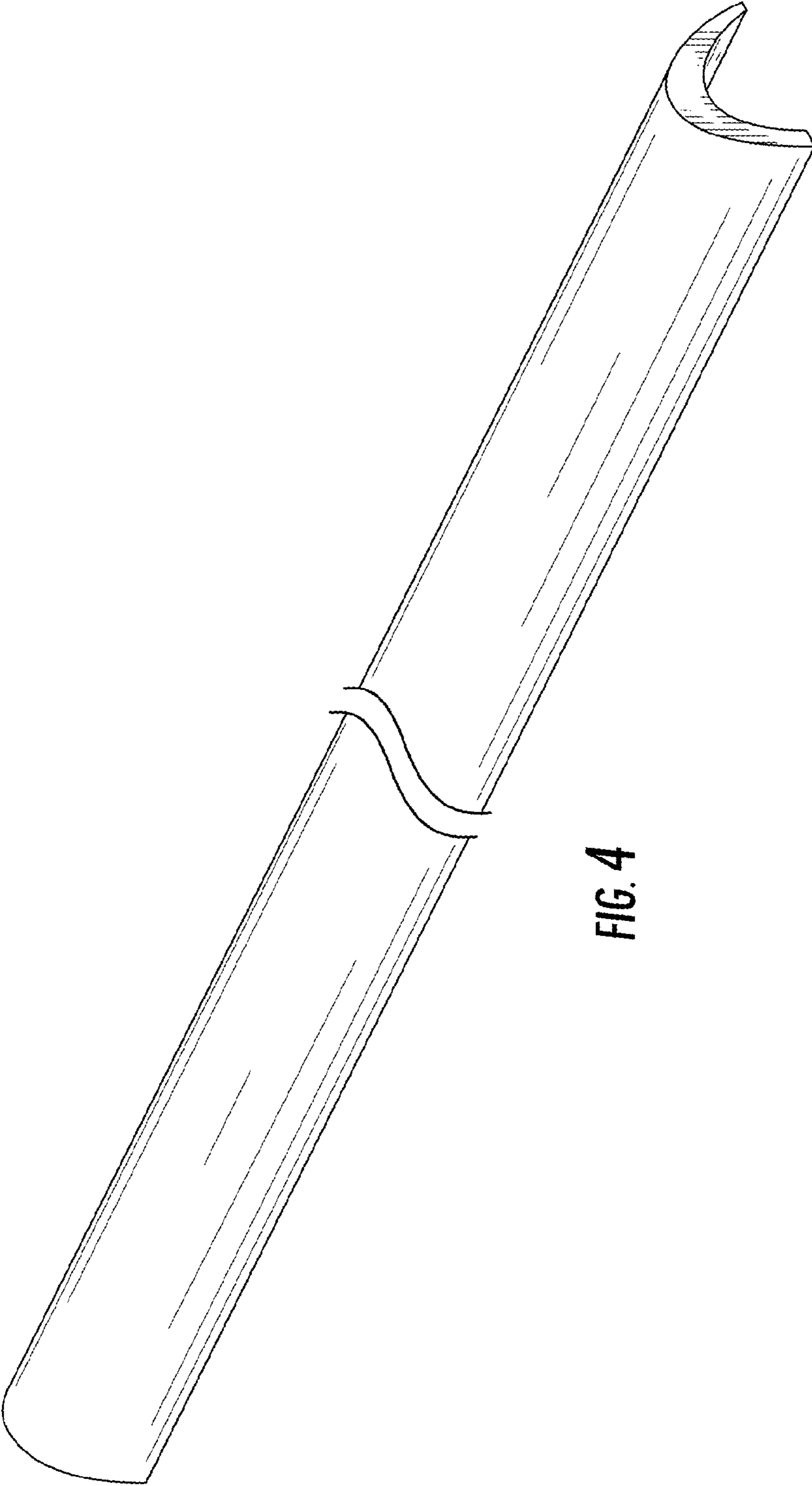


FIG. 4

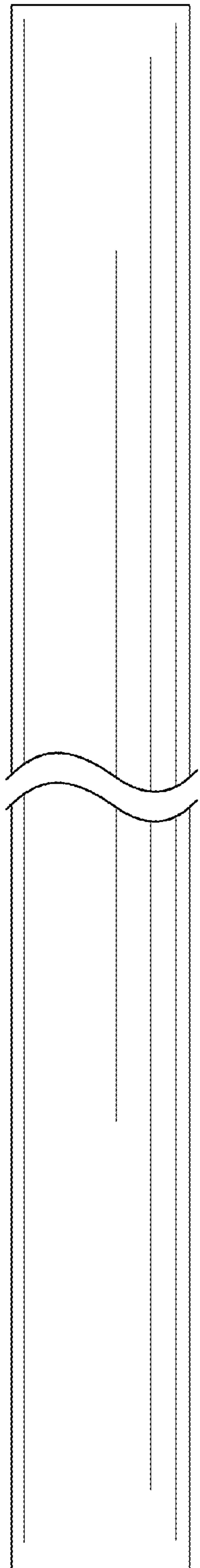


FIG. 5

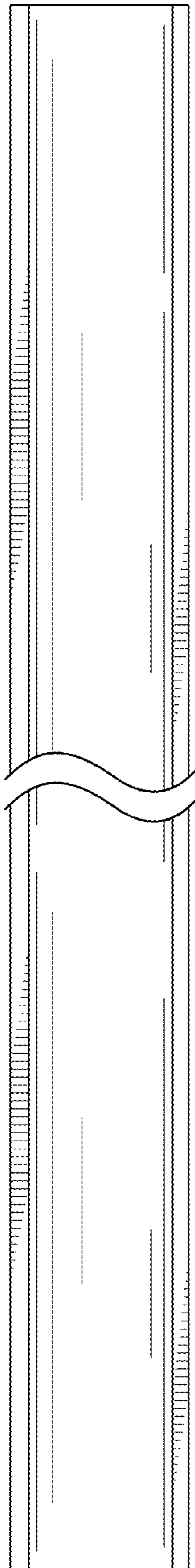


FIG. 6

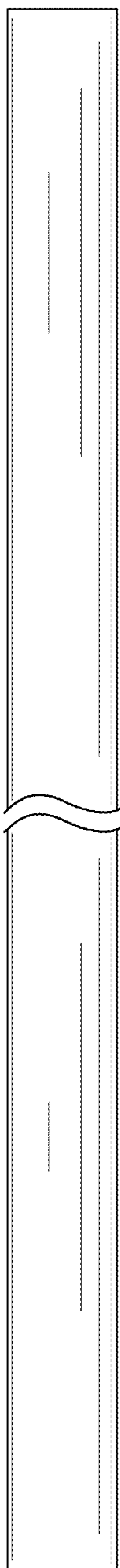


FIG. 7

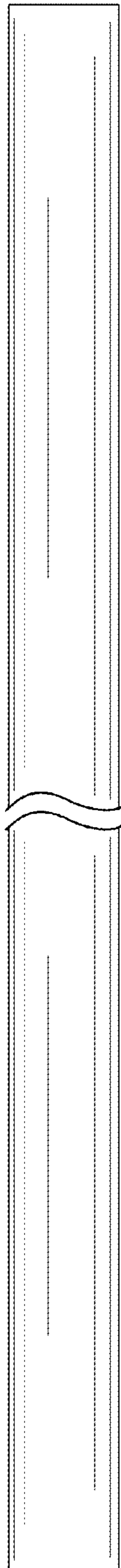


FIG. 8

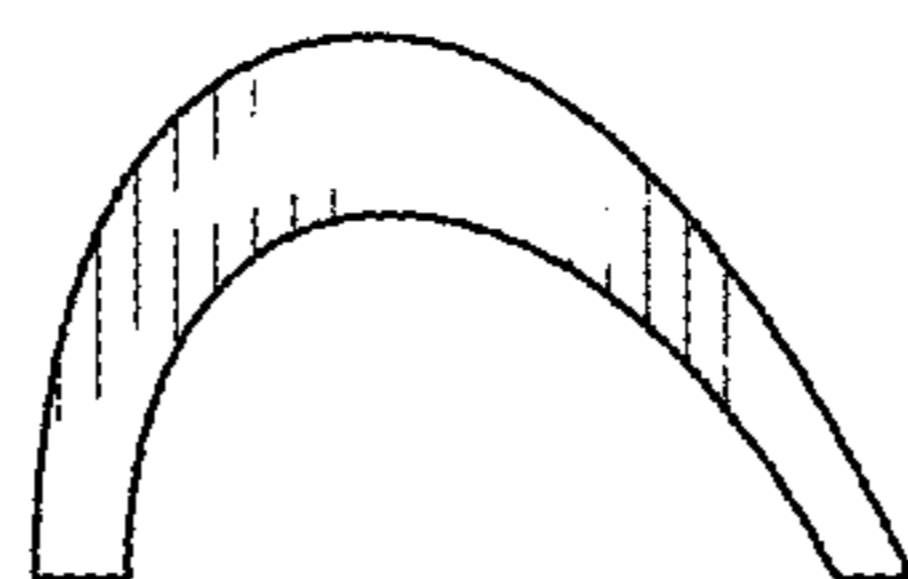


FIG. 9

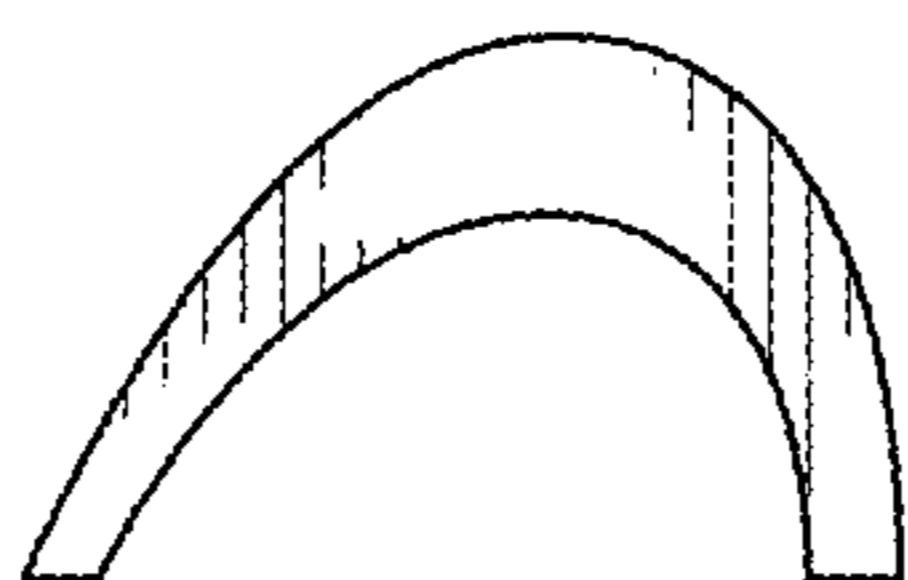


FIG. 10