



US00D747256S

(12) **United States Design Patent**
Johnson

(10) **Patent No.:** **US D747,256 S**
(45) **Date of Patent:** **** Jan. 12, 2016**

(54) **AUTOMOTIVE WHEEL**

(71) Applicant: **Kelly R. Johnson**, City Of Industry, CA (US)

(72) Inventor: **Kelly R. Johnson**, City Of Industry, CA (US)

(73) Assignee: **THE WHEEL GROUP**, City of Industry, CA (US)

(**) Term: **15 Years**

(21) Appl. No.: **29/530,586**

(22) Filed: **Jun. 17, 2015**

(51) **LOC (10) Cl.** **12-16**

(52) **U.S. Cl.**
USPC **D12/211**

(58) **Field of Classification Search**
USPC D12/204–213
CPC B60B 7/00; B60B 7/02; B60B 7/04;
B60B 7/01; B60B 7/06; B60B 3/02; B60B 3/04;
B60B 3/06; B60B 3/10; B60B 1/00;
B60B 1/08; B60B 1/10; B60B 1/12
See application file for complete search history.

(56) **References Cited**

U.S. PATENT DOCUMENTS

D451,065 S	*	11/2001	Braun	D12/211
D455,693 S	*	4/2002	Sato	D12/209
D461,153 S	*	8/2002	Koyama	D12/209
D499,058 S	*	11/2004	Iwauchi	D12/209

D502,909 S	*	3/2005	Pfeiffer	D12/211
D538,731 S	*	3/2007	Iwauchi	D12/211
D570,274 S	*	6/2008	Scheu	D12/211
D589,863 S	*	4/2009	Huet	D12/209
D593,477 S	*	6/2009	Chen	D12/211
D595,201 S	*	6/2009	Antoniadis	D12/211
D611,396 S	*	3/2010	Antoniadis	D12/211
D614,114 S	*	4/2010	Kim	D12/211
D626,905 S	*	11/2010	Camacho	D12/209
D630,146 S	*	1/2011	Finnie	D12/211
D644,589 S	*	9/2011	Fisker	D12/211
D648,255 S	*	11/2011	Scheinutte	D12/209
D655,660 S	*	3/2012	Stucki	D12/209
D671,877 S	*	12/2012	Roura	D12/209
D673,097 S	*	12/2012	Lemke	D12/209
D684,516 S	*	6/2013	Bennion	D12/209
D689,808 S	*	9/2013	Buck	D12/209
D697,861 S	*	1/2014	Lemke	D12/211
D700,565 S	*	3/2014	Gonzalez	D12/209

* cited by examiner

Primary Examiner — Stacia Cadmus

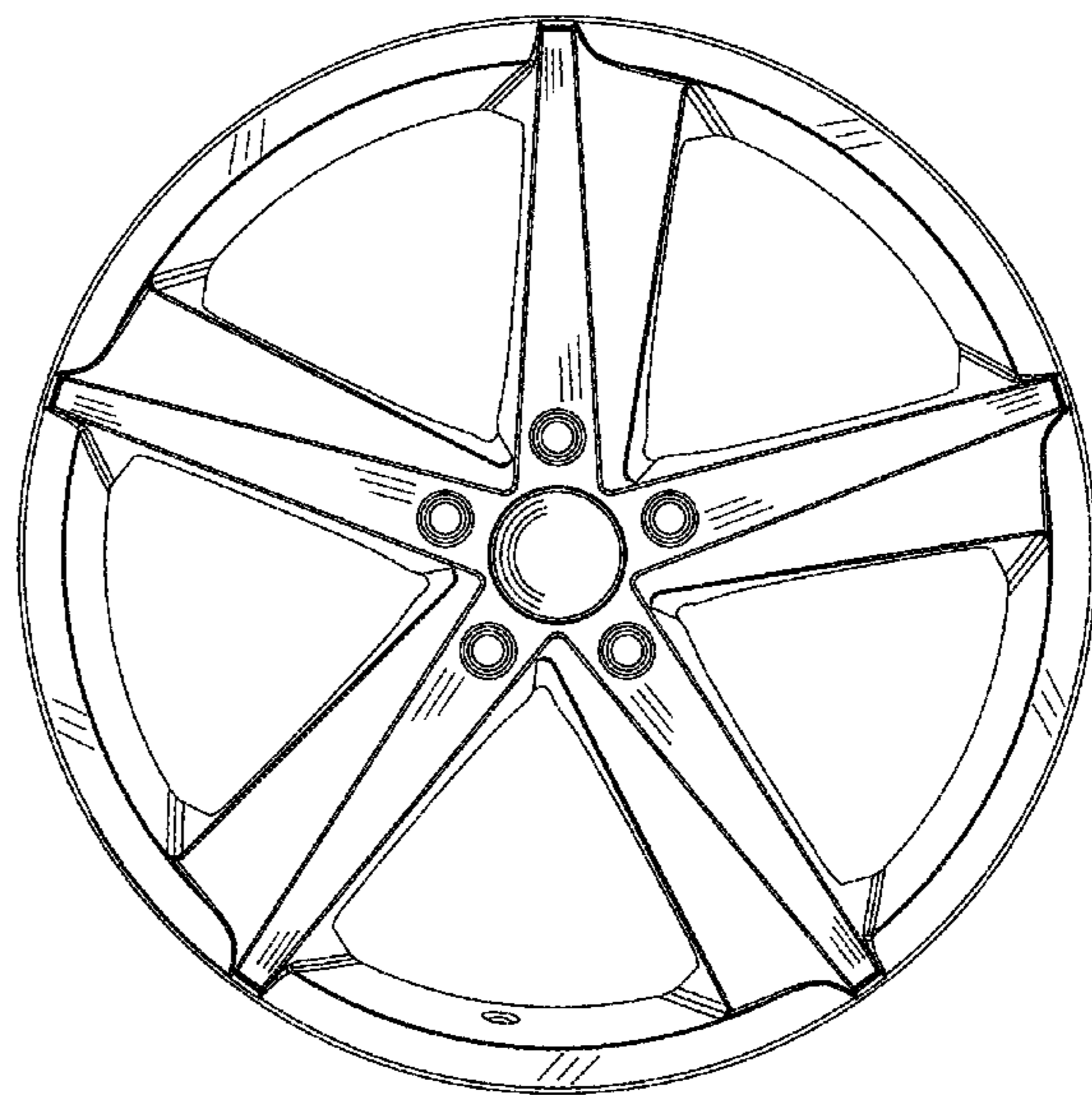
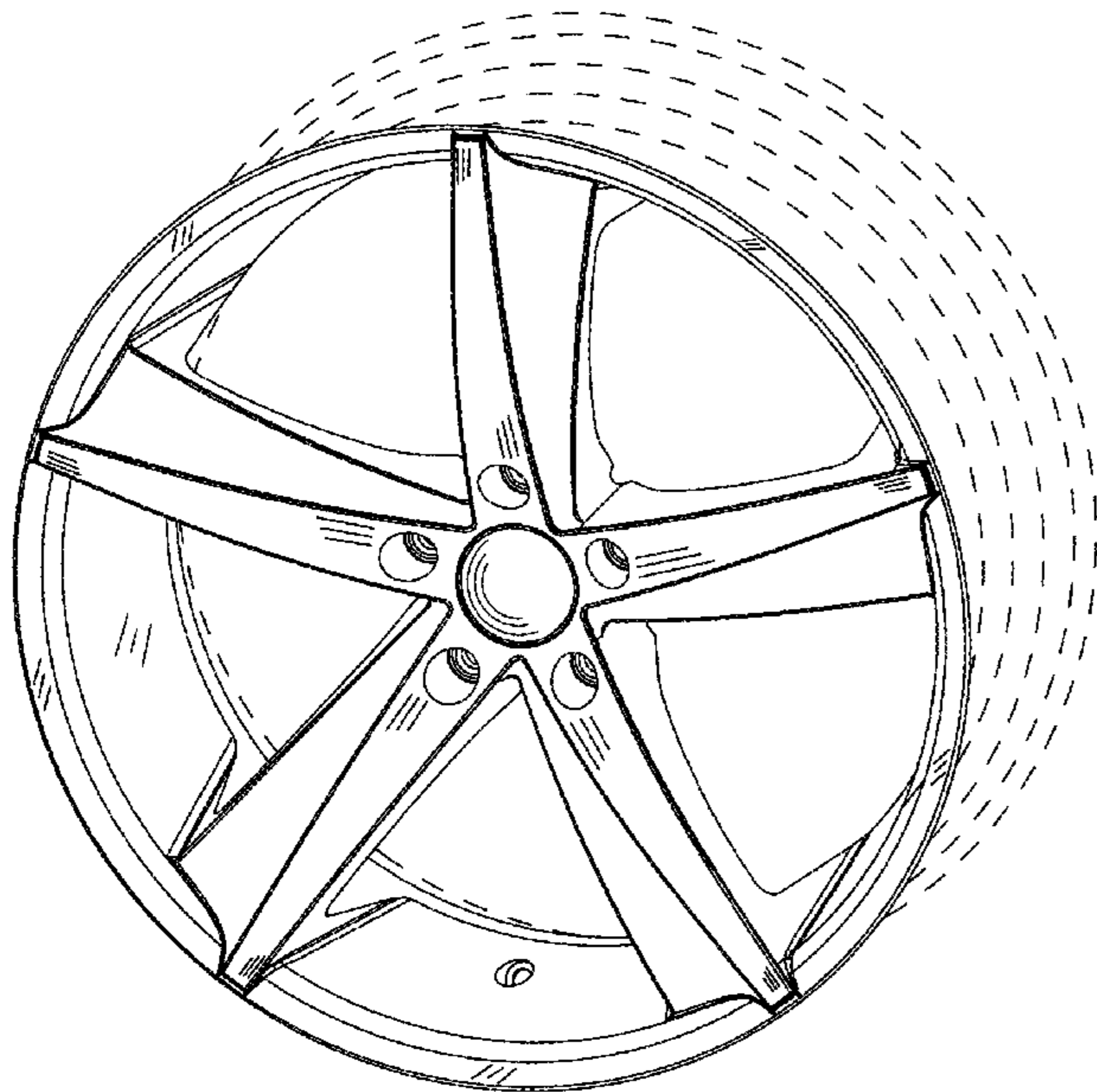
(57) **CLAIM**

The ornamental design for an automotive wheel, as show and described.

DESCRIPTION

FIG. 1 is a perspective view of an automotive wheel showing my new design; and, FIG. 2 is a front elevational view thereof. The broken line showing of the rear portion of the rim is included for the purpose of illustrating environment and forms no part of the claimed design.

1 Claim, 2 Drawing Sheets



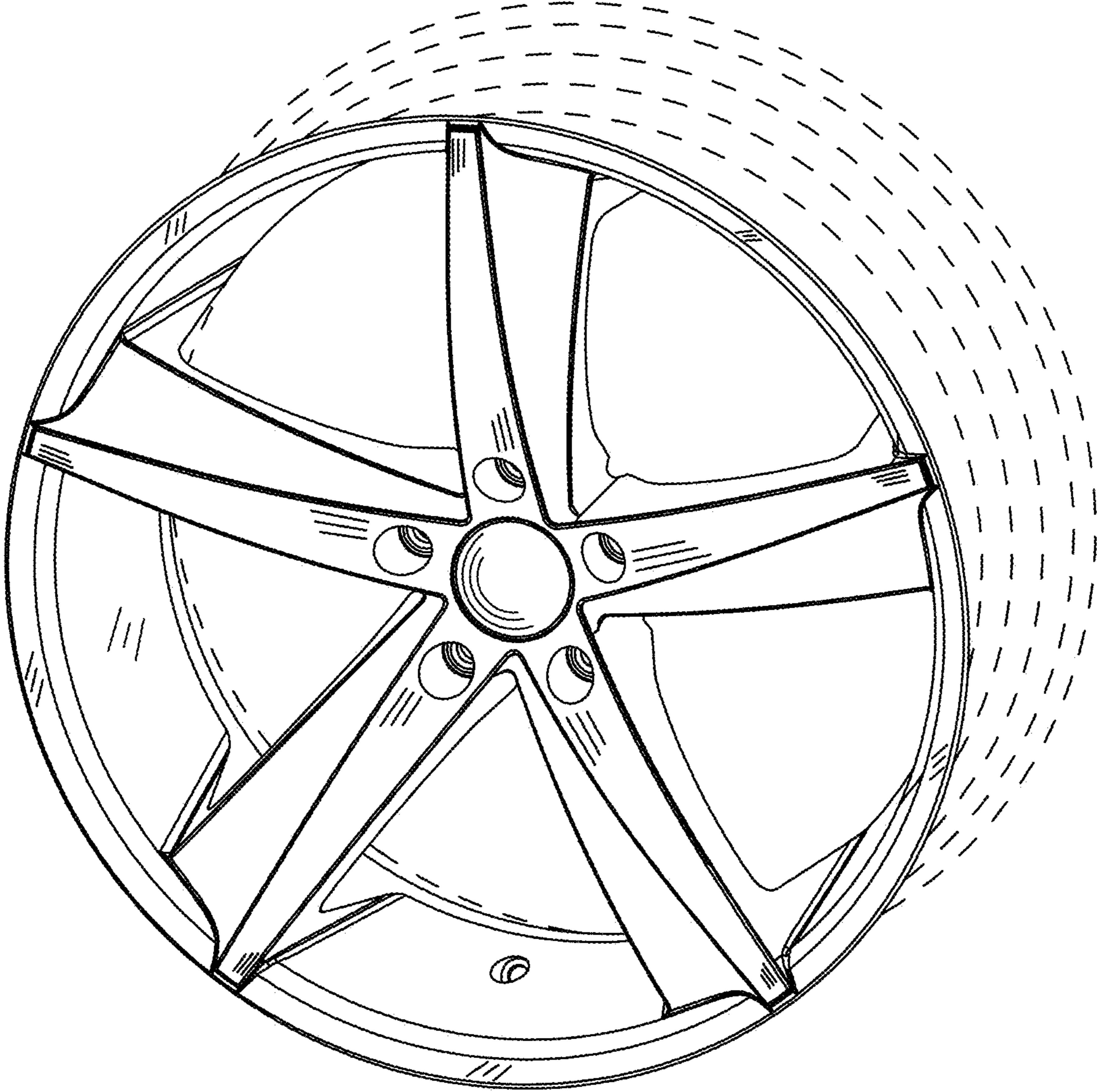


FIG.1

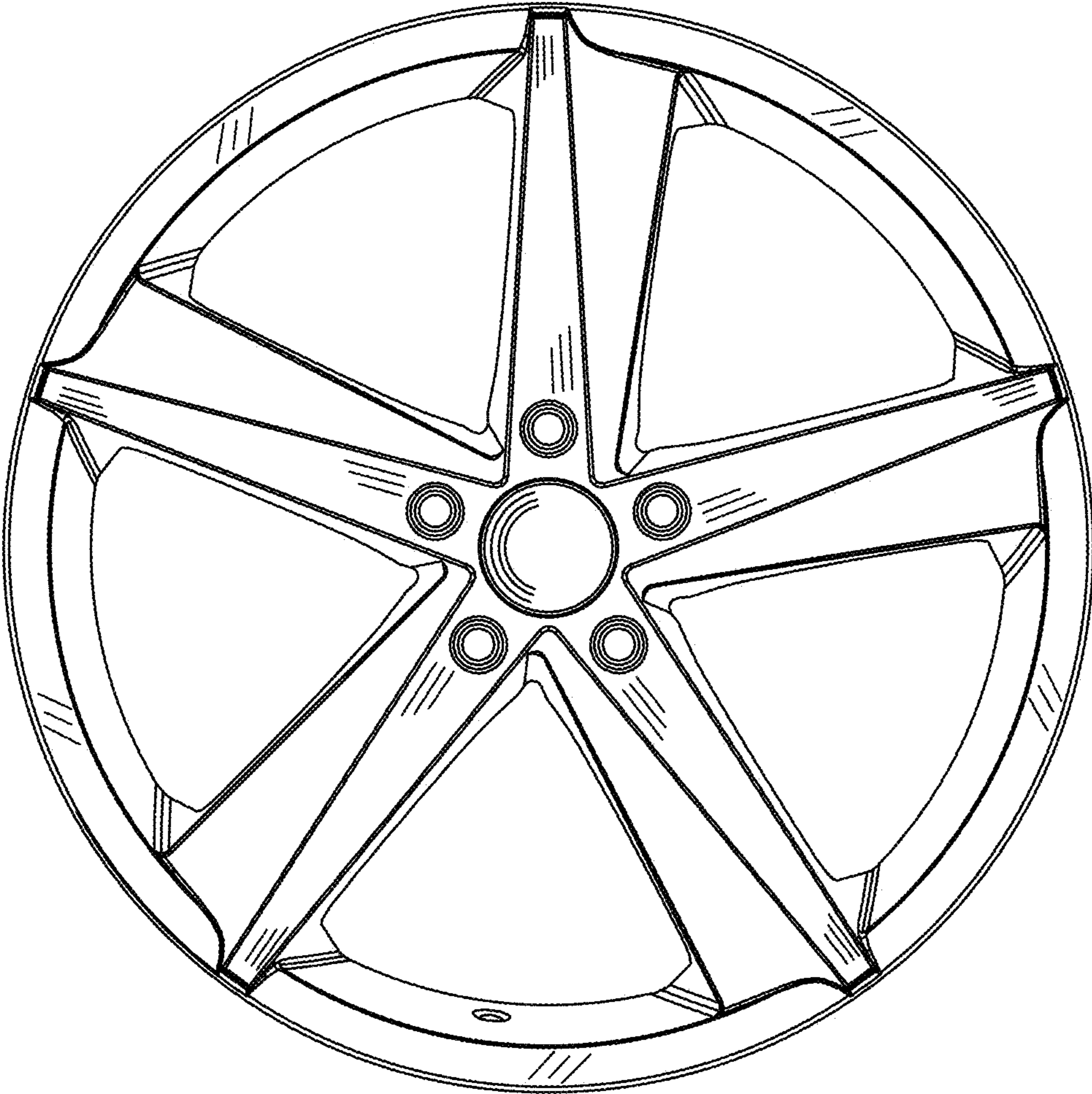


FIG.2