



US00D747255S

(12) **United States Design Patent**
Kobayashi

(10) **Patent No.:** **US D747,255 S**

(45) **Date of Patent:** **** Jan. 12, 2016**

(54) **FRONT WHEEL FOR MOTORCYCLES**

(71) Applicant: **Kawasaki Jukogyo Kabushiki Kaisha,**
Hyogo (JP)

(72) Inventor: **Mitsuru Kobayashi,** Kobe (JP)

(73) Assignee: **Kawasaki Jukogyo Kabushiki Kaisha,**
Hyogo (JP)

(**) Term: **14 Years**

(21) Appl. No.: **29/521,252**

(22) Filed: **Mar. 20, 2015**

(30) **Foreign Application Priority Data**

Sep. 25, 2014 (JP) 2014-021178

(51) **LOC (10) Cl.** **12-16**

(52) **U.S. Cl.**
USPC **D12/211**

(58) **Field of Classification Search**

USPC D12/204-213
CPC B60B 7/00; B60B 7/02; B60B 7/04;
B60B 7/01; B60B 7/06; B60B 3/02; B60B
3/04; B60B 3/06; B60B 3/10; B60B 1/00;
B60B 1/08; B60B 1/10; B60B 1/12

See application file for complete search history.

(56) **References Cited**

U.S. PATENT DOCUMENTS

D484,085 S * 12/2003 Tirado D12/211
D517,969 S * 3/2006 Brouillette et al. D12/209
D579,397 S * 10/2008 Osborne D12/211
D638,771 S * 5/2011 Chung D12/211
D644,587 S * 9/2011 Gotschke D12/209

D683,684 S * 6/2013 Campbell et al. D12/209
D706,198 S * 6/2014 Chung D12/211
D708,112 S * 7/2014 Mays et al. D12/211
D733,027 S * 6/2015 Chung D12/211
D734,705 S * 7/2015 Chung D12/211

FOREIGN PATENT DOCUMENTS

CN 301328101 S 8/2010

OTHER PUBLICATIONS

Japanese Patent Application No. 2014-021178 Decision of Registration dated Jun. 23, 2015, 2 pages.

Japanese Application No. 2014-021178 Notification of Reasons for Rejection and Order dated May 12, 2015, 3 pages.

* cited by examiner

Primary Examiner — Stacia Cadmus

(57) **CLAIM**

The ornamental design for a front wheel for motorcycles, as shown and described.

DESCRIPTION

FIG. 1 is a front elevational view of a front wheel for motorcycles showing my new design;

FIG. 2 is a rear elevational view thereof;

FIG. 3 is a left side elevational view thereof;

FIG. 4 is a right side elevational view thereof;

FIG. 5 is a top plan view thereof;

FIG. 6 is a bottom plan view thereof;

FIG. 7 is a front right perspective view thereof; and,

FIG. 8 is a rear left perspective view thereof.

The dark and light greyed surfaces do not represent a color nor a pattern but are intended to represent shading on the surface of the drawings.

1 Claim, 8 Drawing Sheets

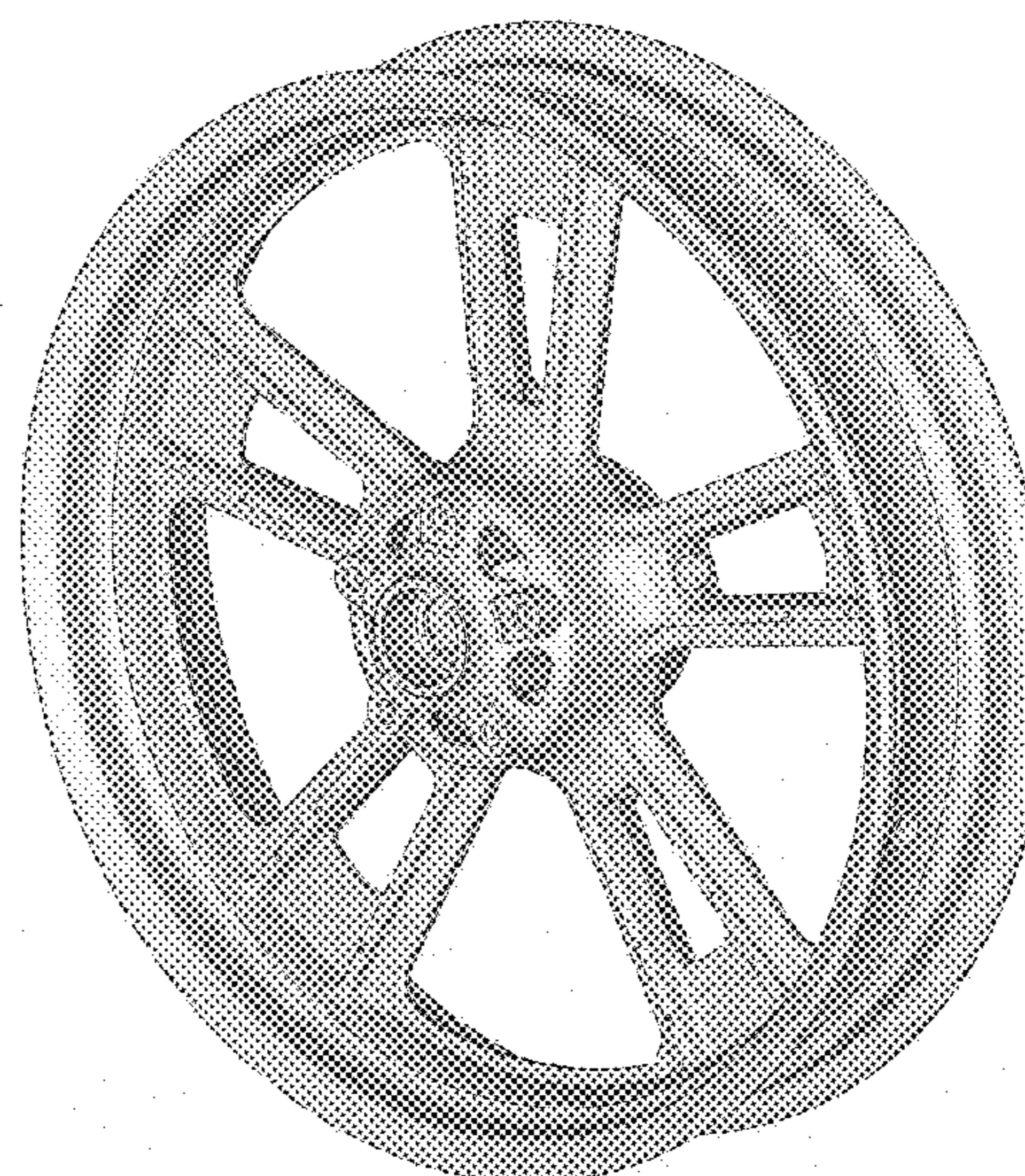
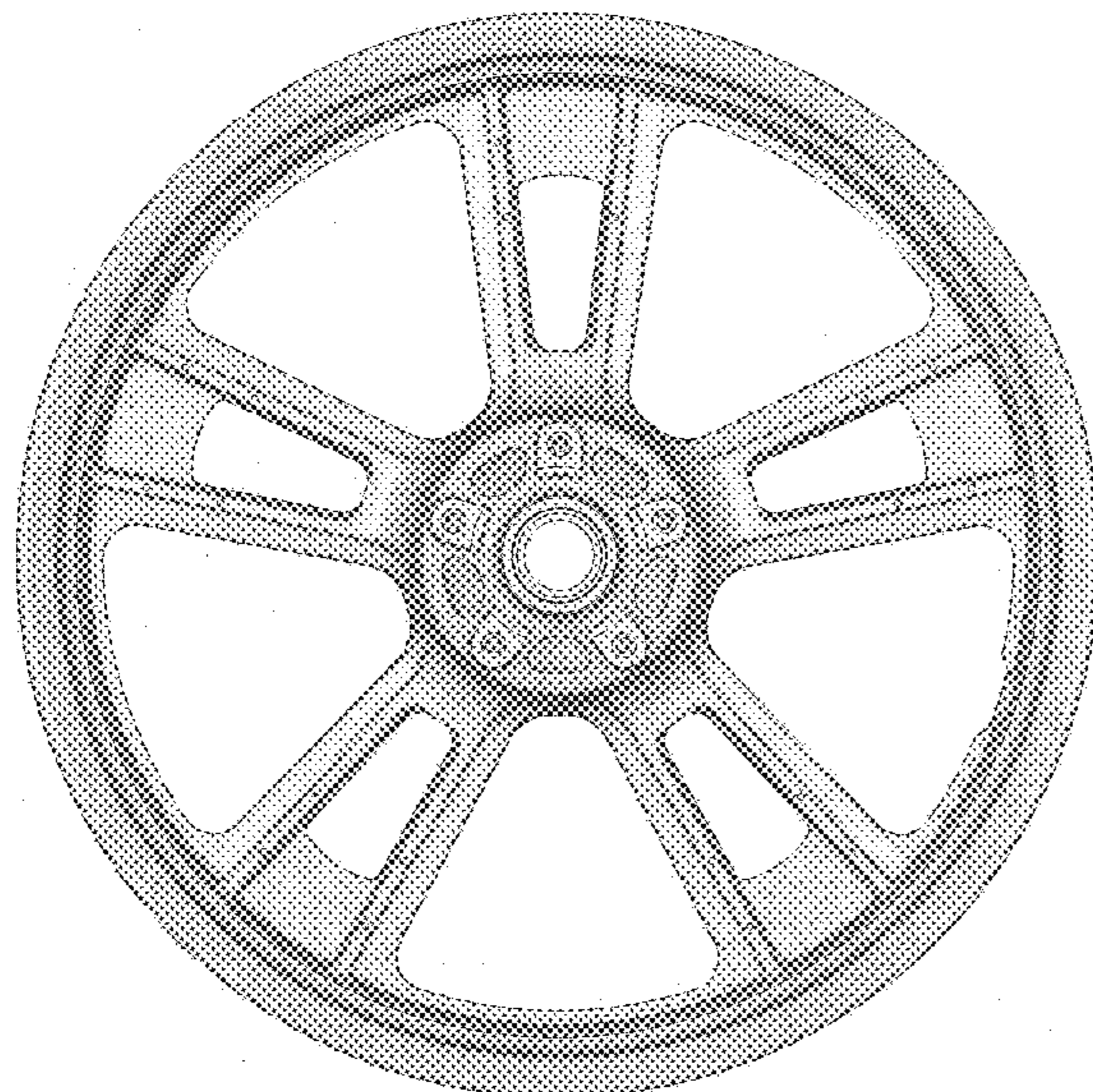


Fig. 1



Fig. 2

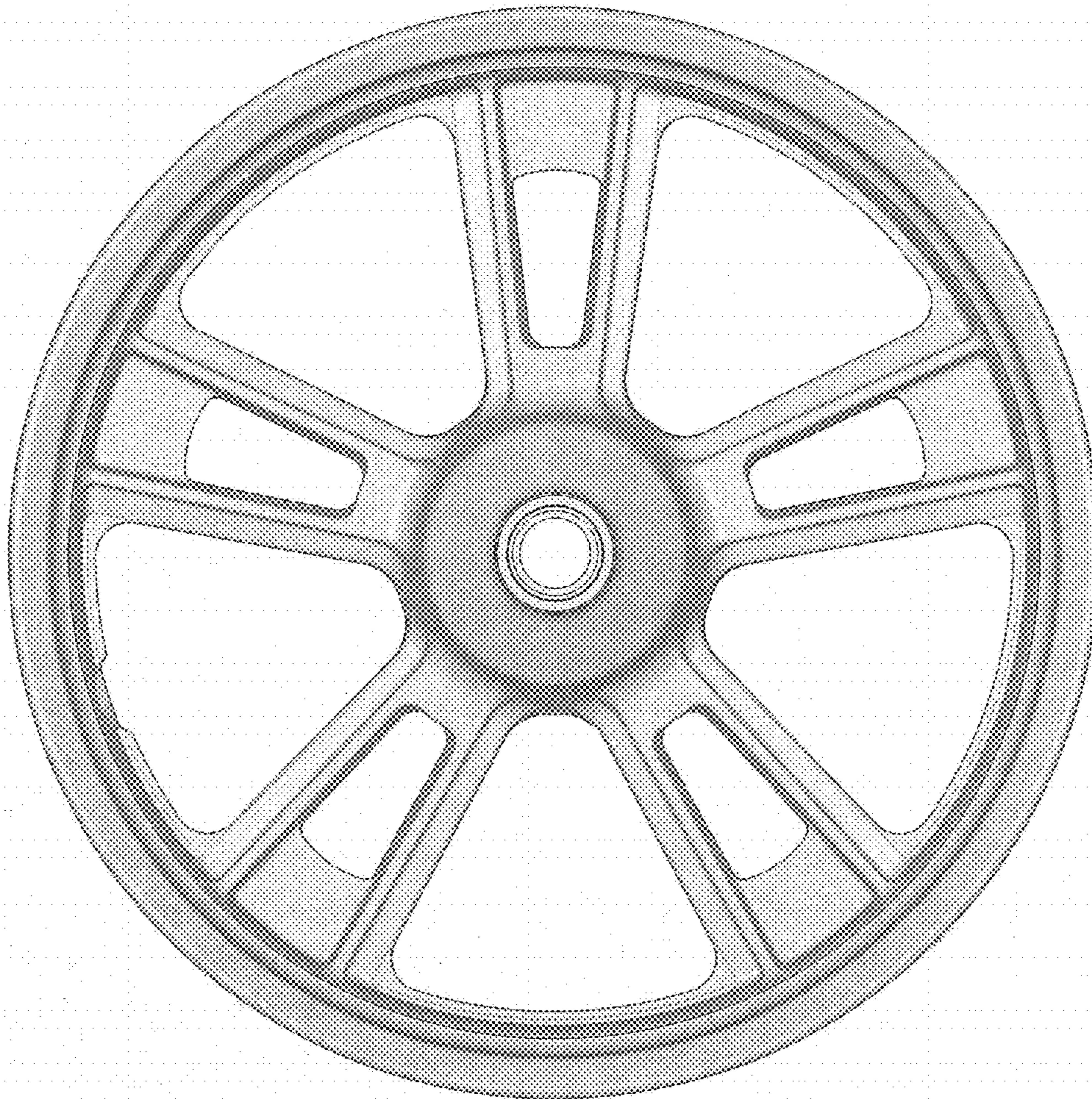


Fig. 3

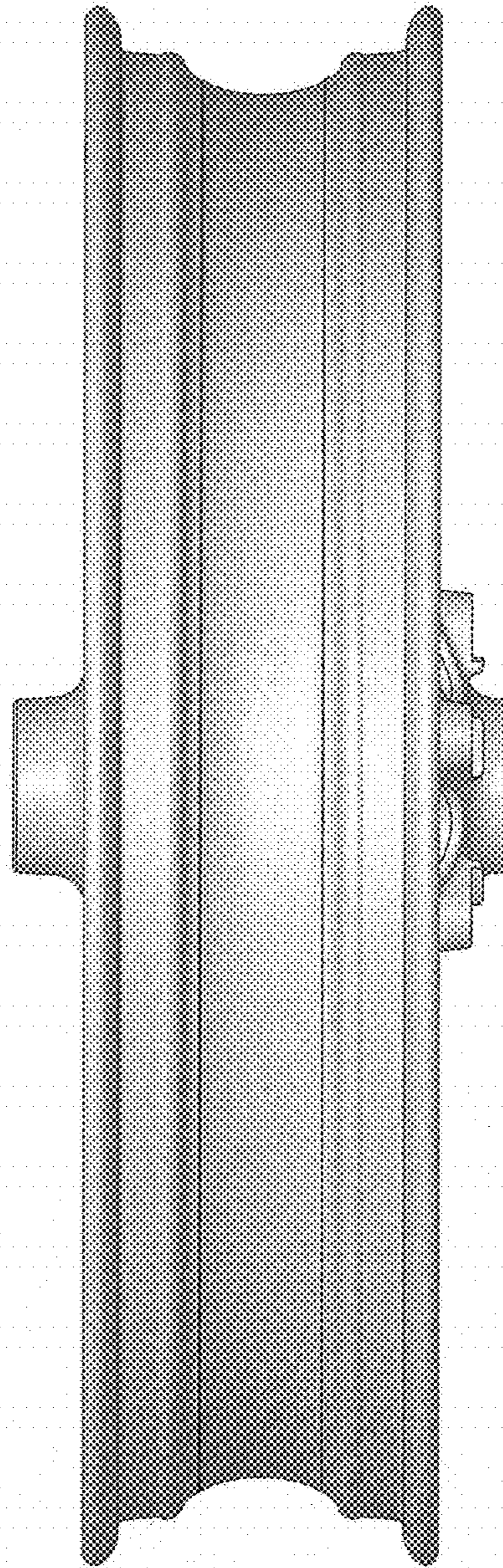


Fig. 4

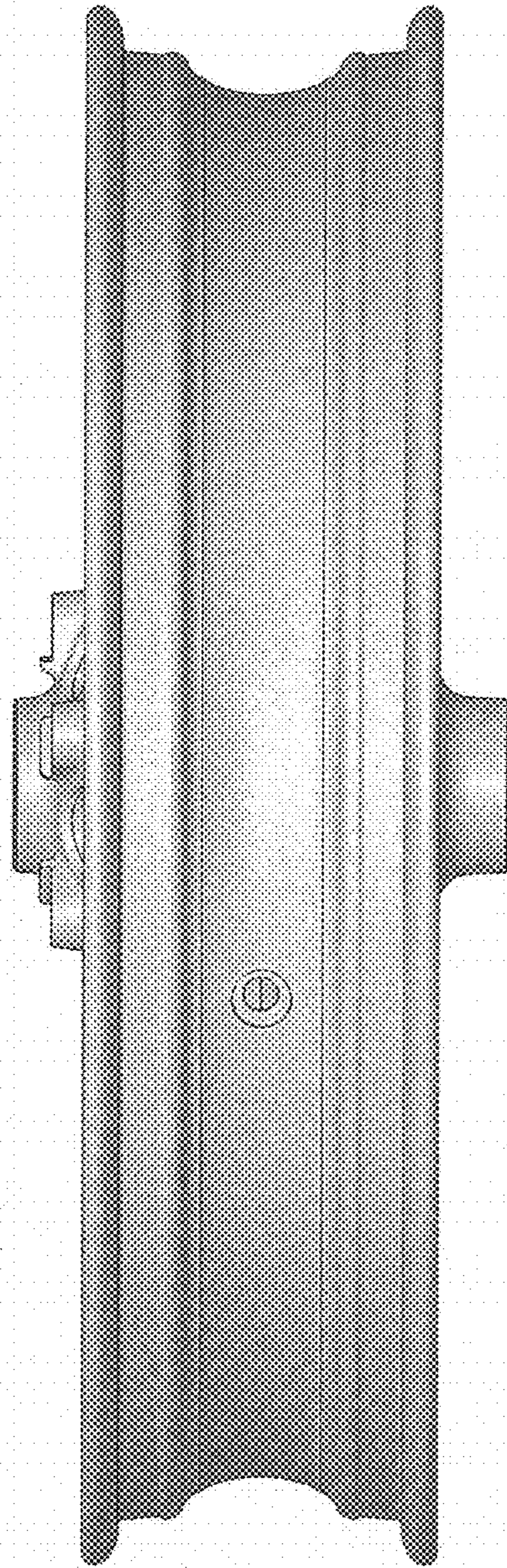


Fig. 5

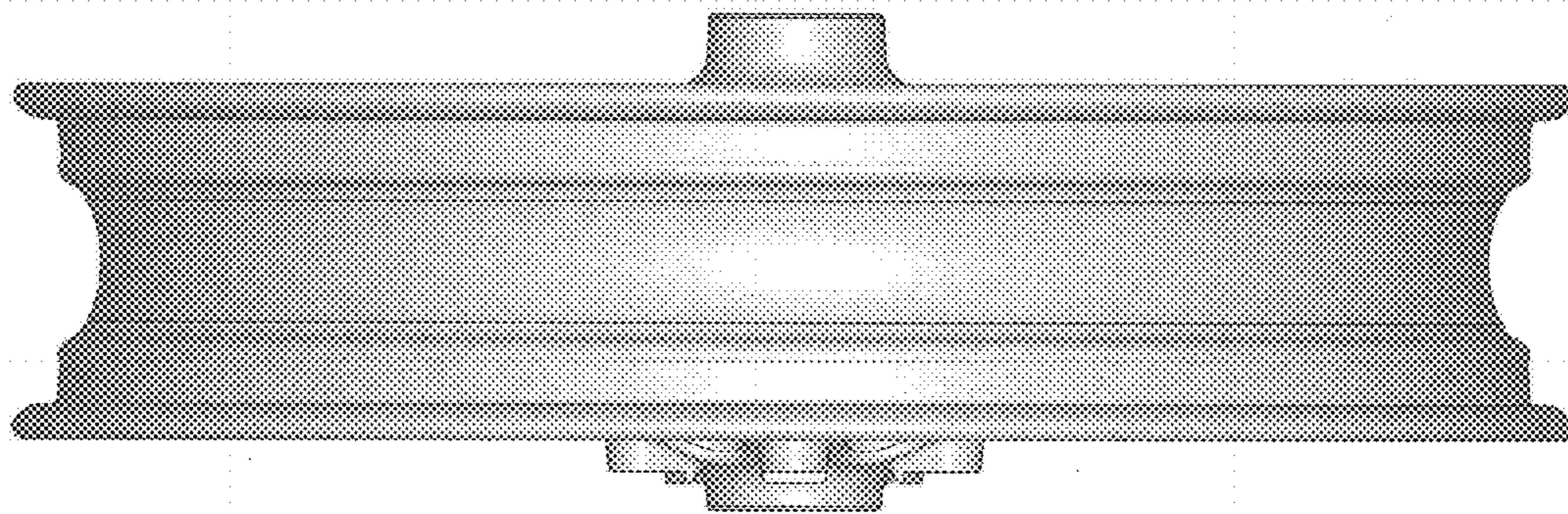


Fig. 6

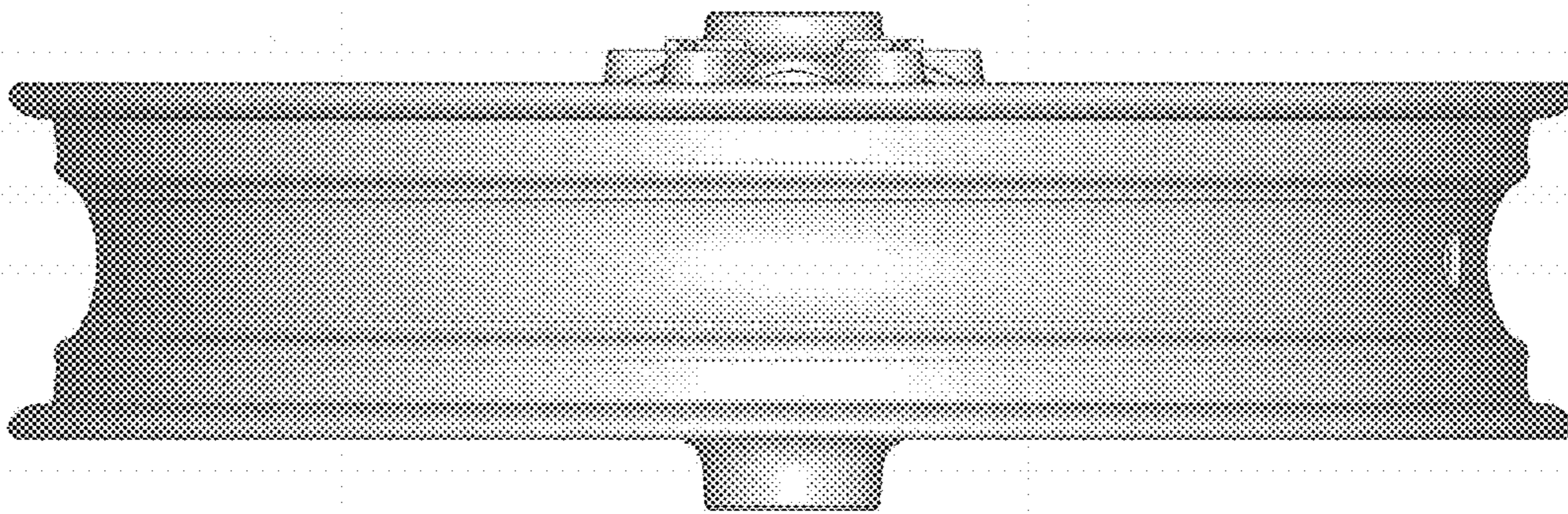


Fig. 7



Fig. 8

