



US00D747254S

(12) **United States Design Patent**
Liu et al.

(10) **Patent No.:** **US D747,254 S**
(45) **Date of Patent:** **** Jan. 12, 2016**

(54) **WHEEL FOR AUTOMOBILE**
(71) Applicant: **Honda Motor Co., Ltd.**, Tokyo (JP)
(72) Inventors: **David S. Liu**, Raymond, OH (US);
Parminder S. Rooprai, Raymond, OH (US)
(73) Assignee: **Honda Motor Co., Ltd.**, Tokyo (JP)
(**) Term: **14 Years**

D603,779 S	11/2009	Futschik et al.	
D606,921 S	12/2009	Thorsten	
D649,103 S *	11/2011	Gallert	D12/211
D695,666 S *	12/2013	Chung	D12/209
D715,720 S *	10/2014	Ender	D12/211
D718,203 S *	11/2014	Whyte	D12/209
D725,569 S *	3/2015	Komukai	D12/209
D732,449 S *	6/2015	Grake et al.	D12/209
D735,630 S *	8/2015	Swaneger	D12/209
2008/0211292 A1 *	9/2008	Gartner	301/65
2015/0130261 A1 *	5/2015	Warren	301/64.101

(21) Appl. No.: **29/501,851**
(22) Filed: **Sep. 9, 2014**
(51) **LOC (10) Cl.** **12-16**
(52) **U.S. Cl.**
USPC **D12/211**
(58) **Field of Classification Search**
USPC D12/204-213; 301/37.101, 64.101, 65
See application file for complete search history.

FOREIGN PATENT DOCUMENTS

EM	000547401-0001	8/2006
WO	DM/081028	11/2013

* cited by examiner

Primary Examiner — Ian Simmons
Assistant Examiner — Samantha Q Lawrence
(74) *Attorney, Agent, or Firm* — Plumsea Law Group, LLC

(57) **CLAIM**
The ornamental design for a wheel for automobile, as shown and described.

(56) **References Cited**
U.S. PATENT DOCUMENTS

D478,307 S	8/2003	Maifrini	
D480,347 S *	10/2003	Nemoto	D12/211
D480,672 S *	10/2003	Pfeiffer et al.	D12/209
D491,872 S	6/2004	Lai	
D503,669 S	4/2005	Bhambra	
D513,487 S *	1/2006	Wachtler	D12/209
D534,114 S	12/2006	Holstein	
D542,208 S	5/2007	Gallert	
D549,150 S	8/2007	Young	

DESCRIPTION

FIG. 1 is a front perspective view of a wheel for automobile; and,
FIG. 2 is a front elevation view thereof.
The broken lines shown in FIGS. 1 and 2 illustrate portions of the wheel for automobile that form no part of the claimed design.

1 Claim, 2 Drawing Sheets

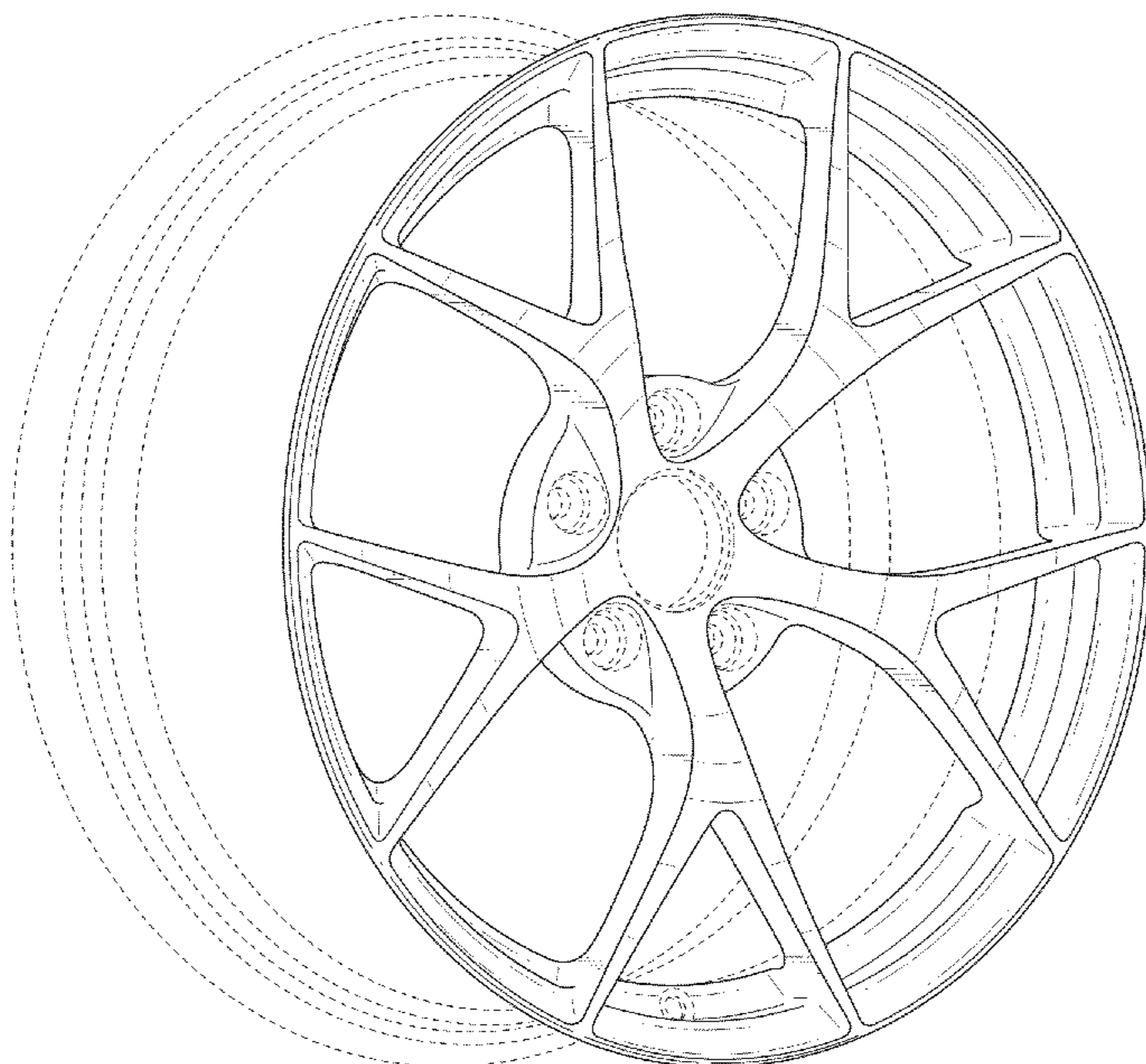


FIG. 1

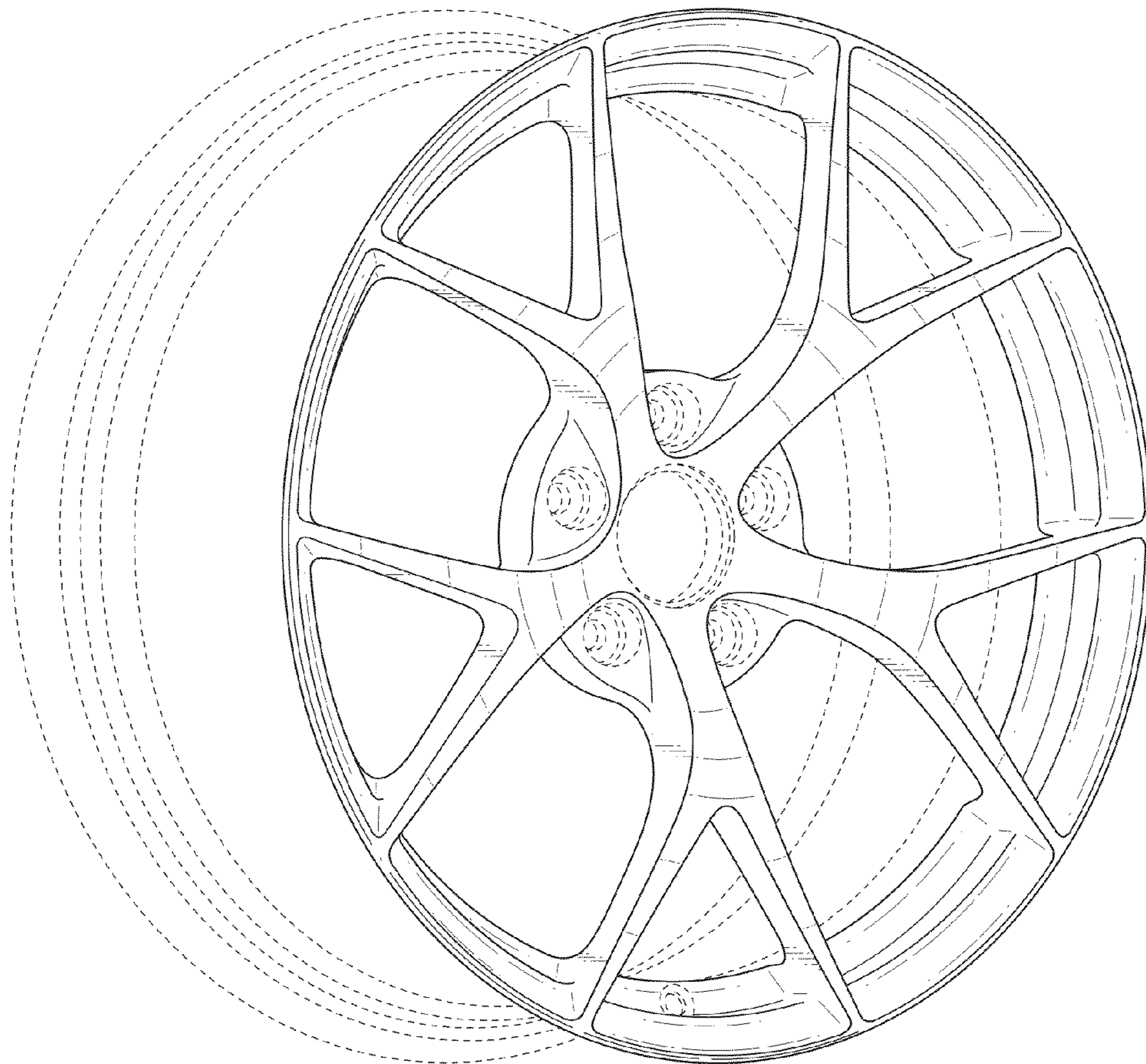


FIG. 2

