



US00D747253S

(12) **United States Design Patent**
Chung

(10) **Patent No.:** **US D747,253 S**
(45) **Date of Patent:** **** Jan. 12, 2016**

(54) **WHEEL**

(71) Applicant: **Suny Chung**, Anaheim, CA (US)

(72) Inventor: **Suny Chung**, Anaheim, CA (US)

(73) Assignee: **Wheel Pros, LLC**, Greenwood Village, CO (US)

(**) Term: **14 Years**

(21) Appl. No.: **29/495,359**

(22) Filed: **Jun. 30, 2014**

(51) **LOC (10) Cl.** **12-16**

(52) **U.S. Cl.**
USPC **D12/211**

(58) **Field of Classification Search**
USPC D12/204–213
CPC B60B 7/00; B60B 7/02; B60B 7/04;
B60B 7/01; B60B 7/06; B60B 3/02; B60B
3/04; B60B 3/06; B60B 3/10; B60B 1/00;
B60B 1/08; B60B 1/10; B60B 1/12
See application file for complete search history.

(56) **References Cited**

U.S. PATENT DOCUMENTS

D470,812 S * 2/2003 Chu D12/211
D526,267 S * 8/2006 Loohe D12/211
D558,115 S * 12/2007 Groom D12/209
D569,778 S * 5/2008 Kim D12/211

D597,012 S * 7/2009 Chung D12/211
D625,238 S * 10/2010 Zhao D12/209
D631,419 S * 1/2011 Kim D12/209
D670,227 S * 11/2012 Chung D12/211
D686,960 S * 7/2013 Claunch D12/209
D688,187 S * 8/2013 McMath D12/209
D695,188 S * 12/2013 Chinavare D12/209
D709,016 S * 7/2014 Zane D12/209
D712,333 S * 9/2014 Chung D12/211
D726,629 S * 4/2015 Guidry D12/211

* cited by examiner

Primary Examiner — Stacia Cadmus

(74) *Attorney, Agent, or Firm* — Garcia-Zamor IP Law; Ruy M. Garcia-Zamor

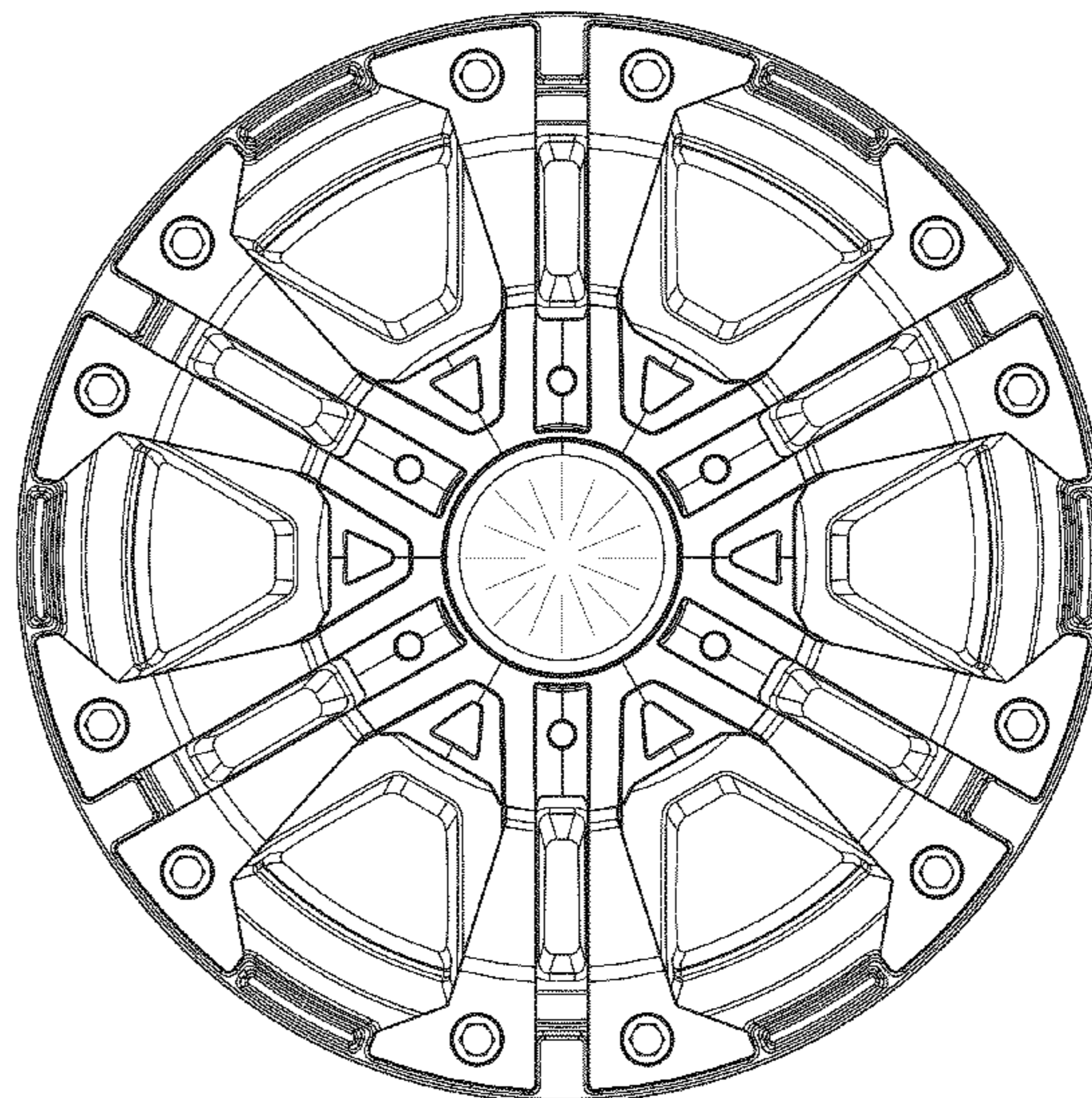
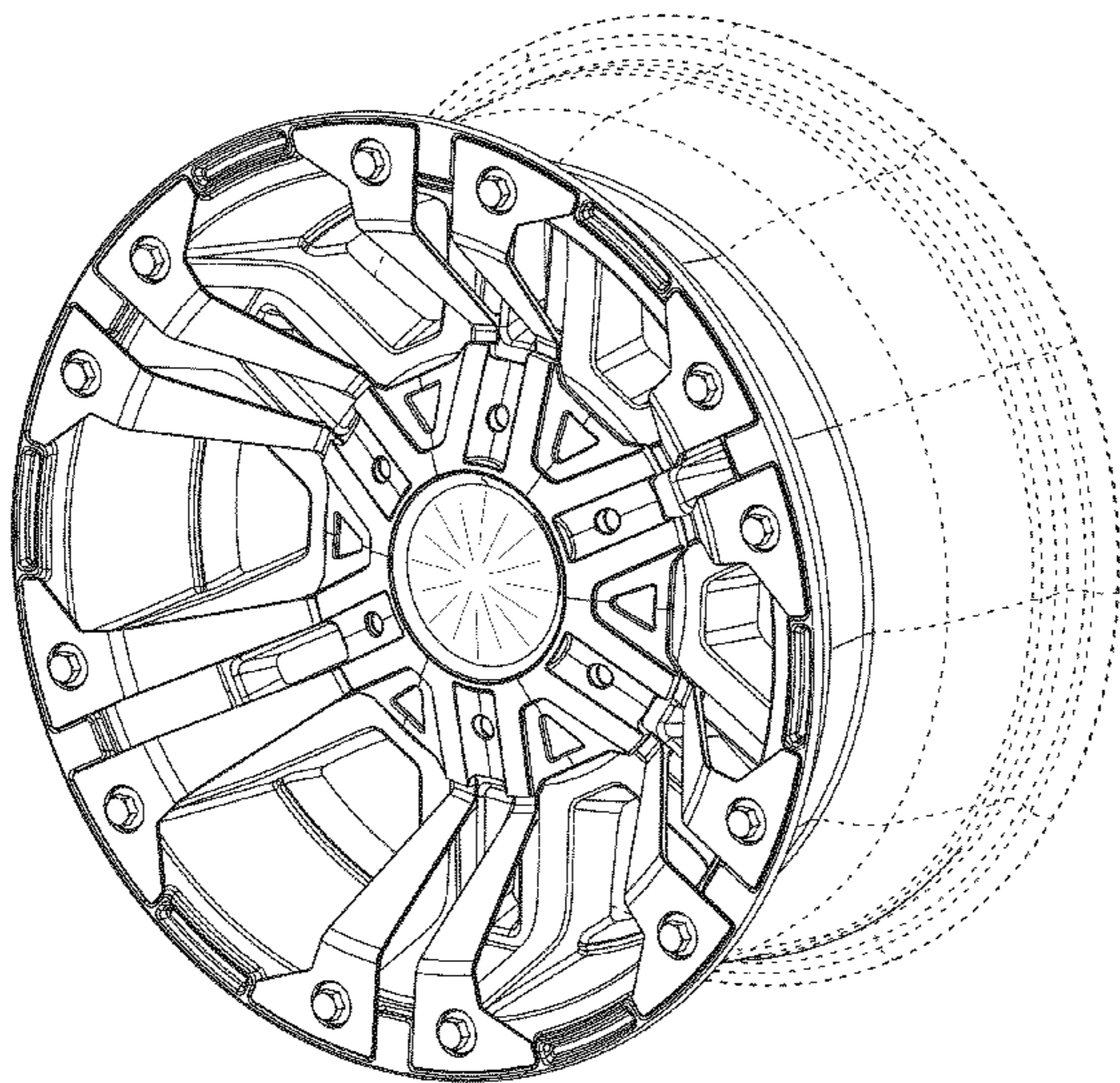
(57) **CLAIM**

The ornamental design for a wheel, as shown and described.

DESCRIPTION

FIG. 1 is a perspective view of a wheel according to my new design;
FIG. 2 is a front elevational view of the wheel of FIG. 1;
FIG. 3 is a left side elevational view of the wheel of FIG. 1;
FIG. 4 is a right side elevational view of the wheel of FIG. 1;
FIG. 5 is a top plan view of the wheel of FIG. 1;
FIG. 6 is a bottom plan view of the wheel of FIG. 1; and,
FIG. 7 is a rear elevational view of the wheel of FIG. 1.
The broken lines in FIGS. 1 and 3-7 represent environment and are for illustrative purposes only and do not constitute part of the claimed design.

1 Claim, 6 Drawing Sheets



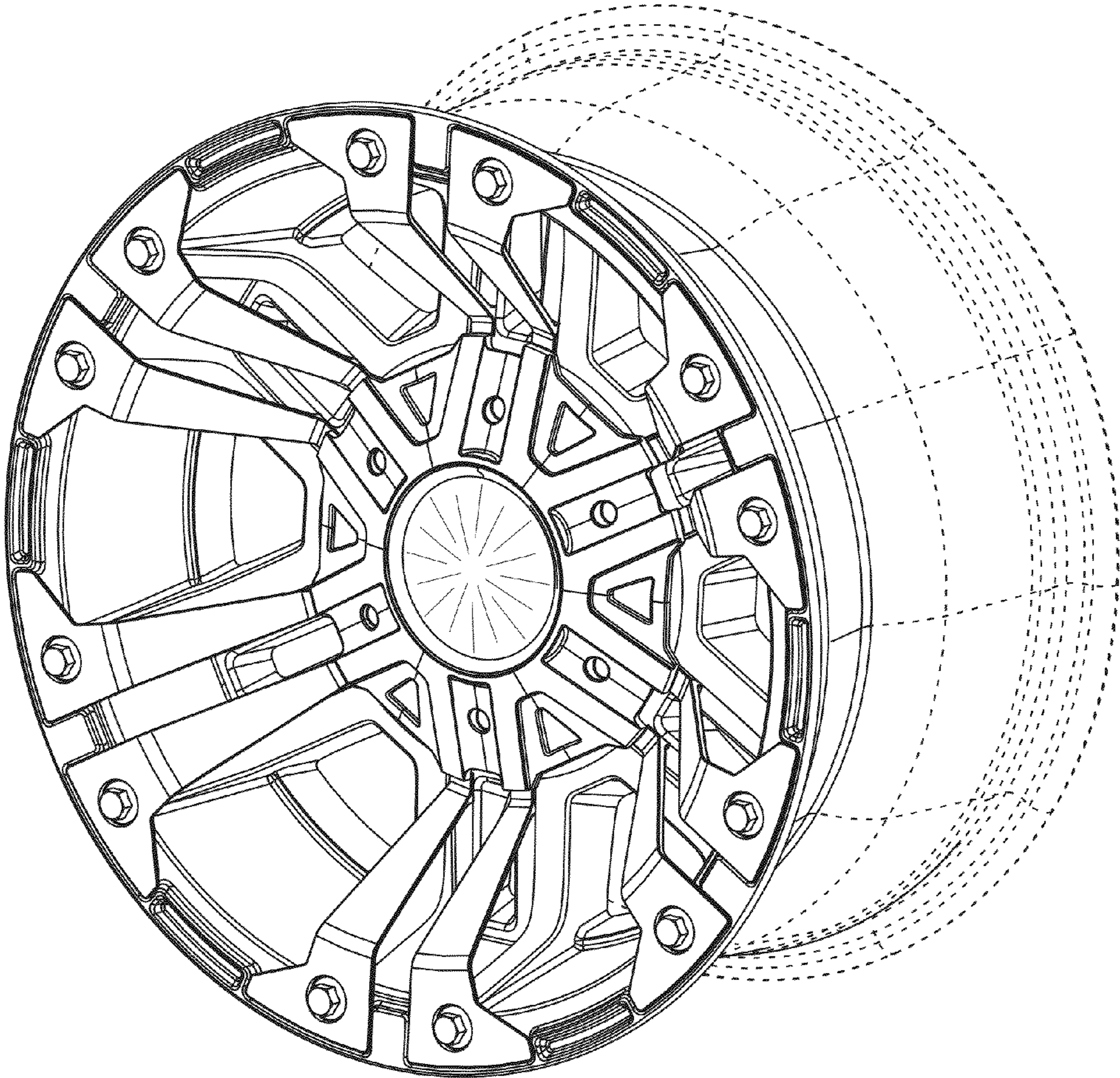


FIG. 1

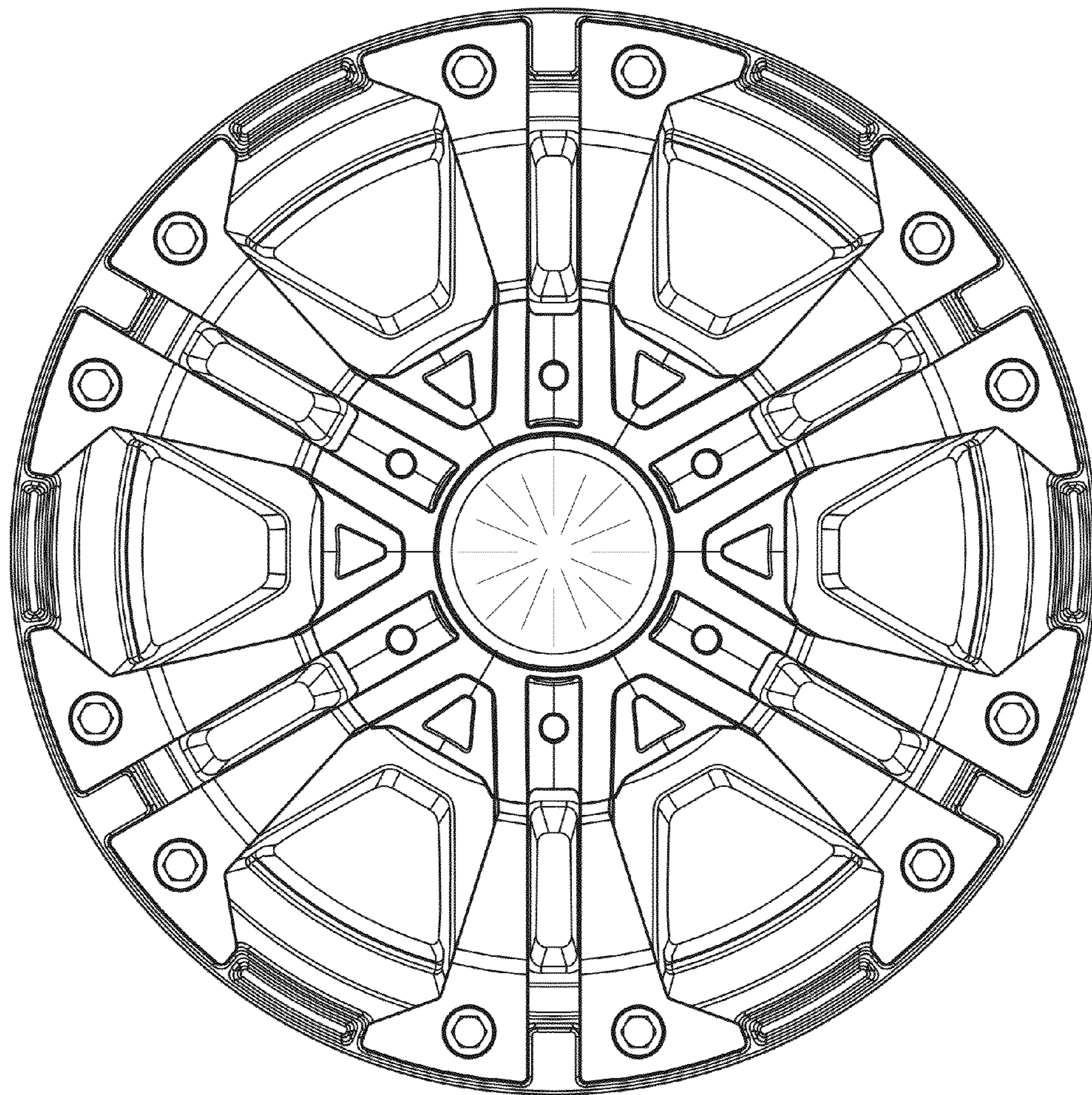


FIG. 2

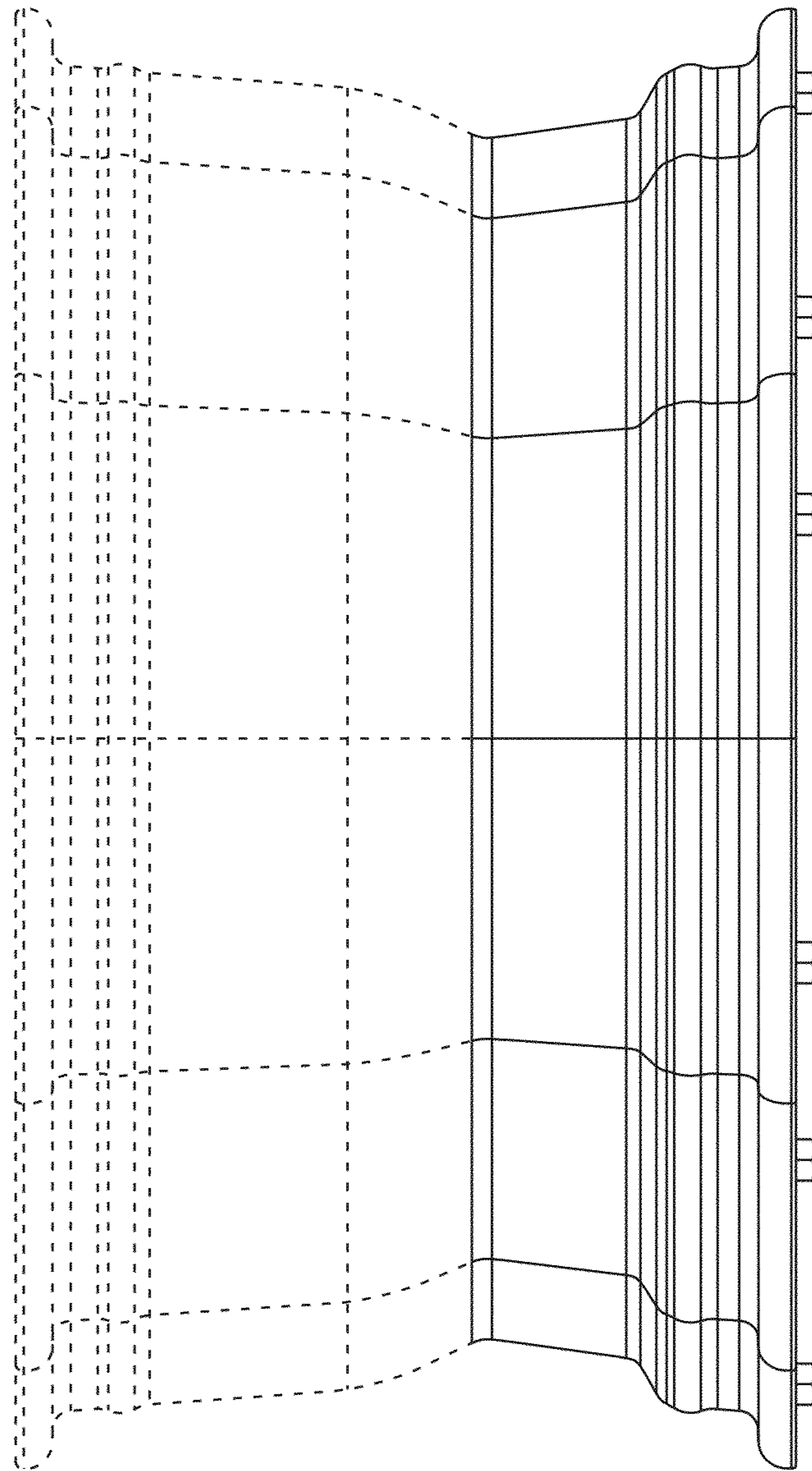


FIG. 3

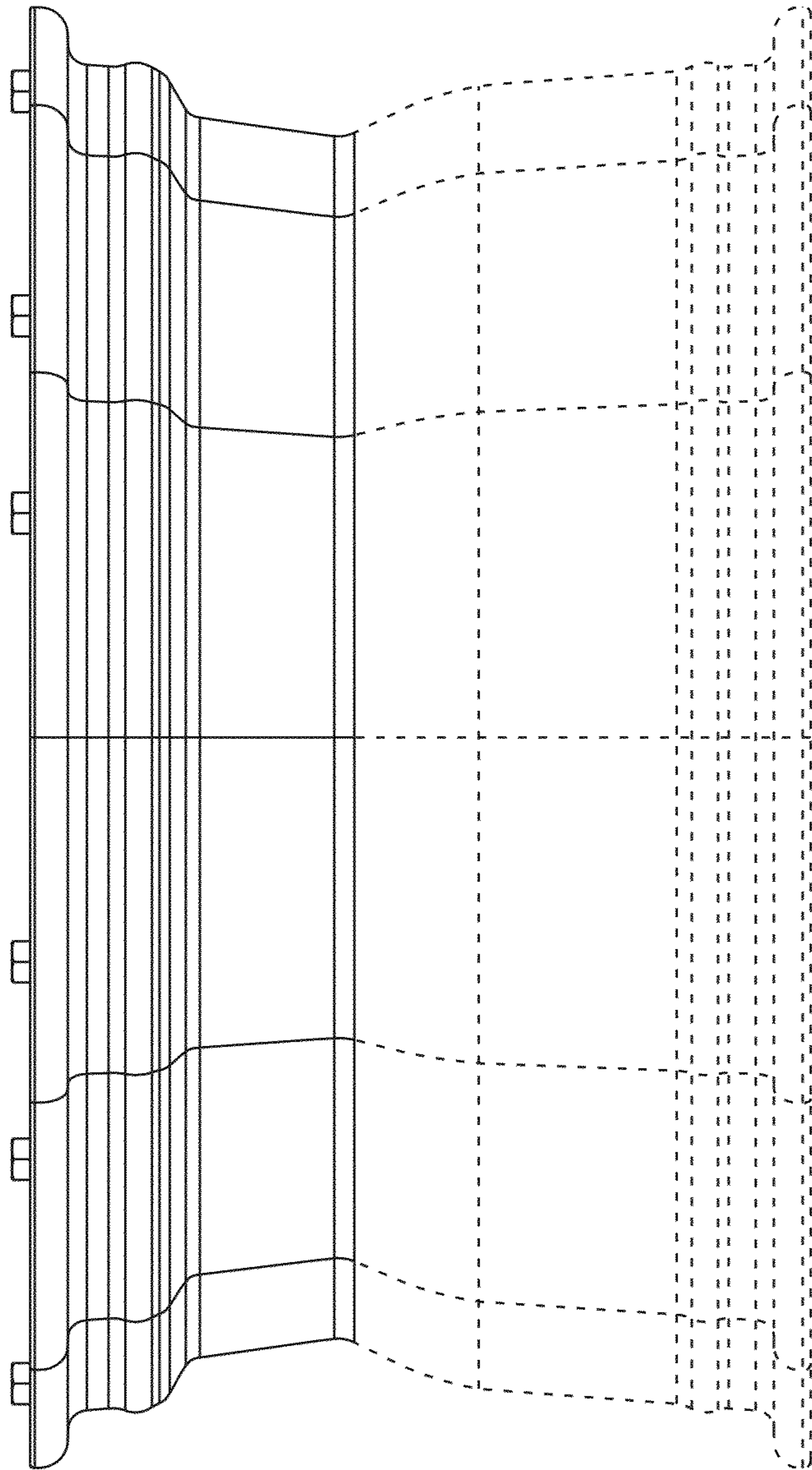


FIG. 4

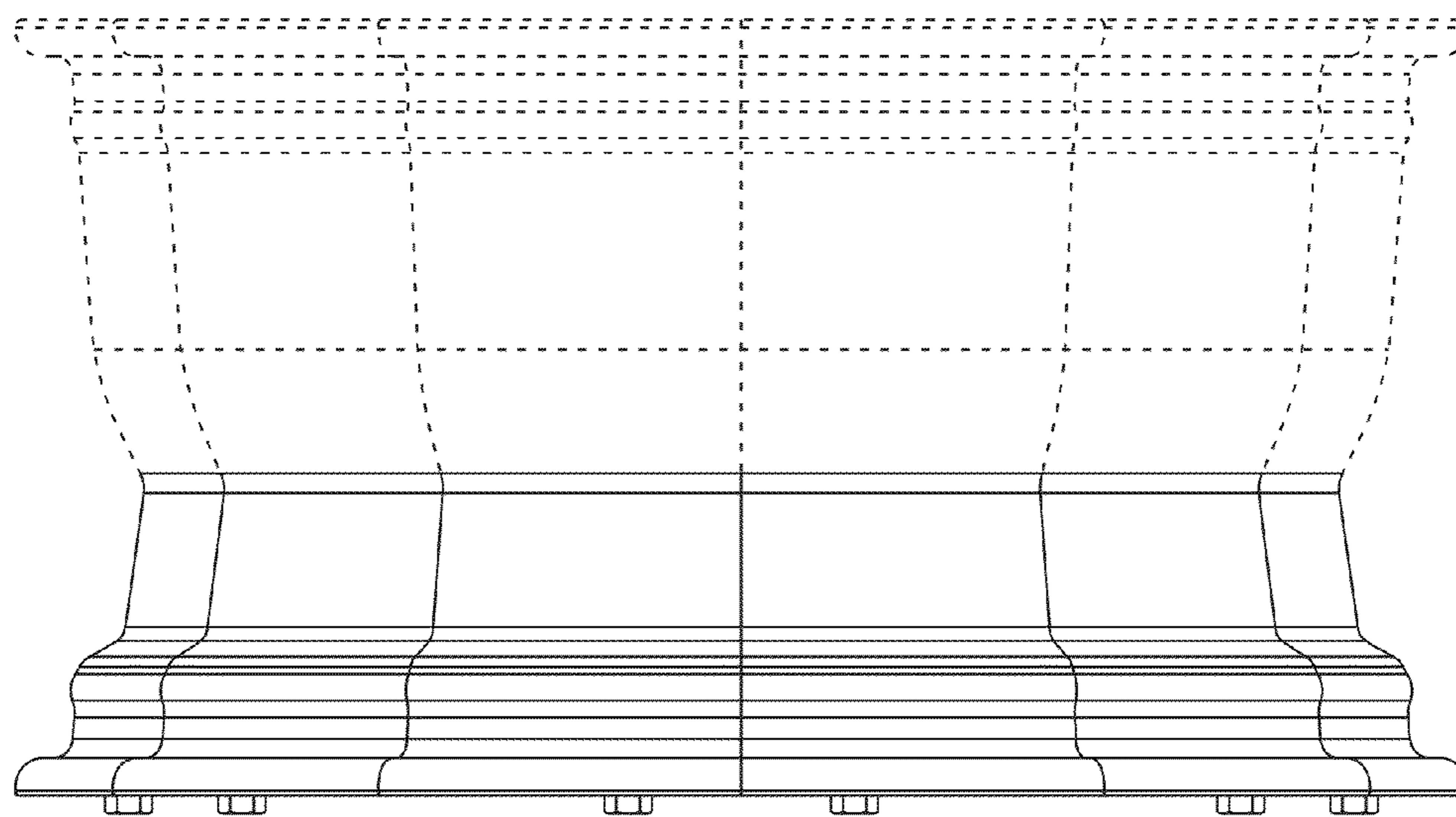


FIG. 5

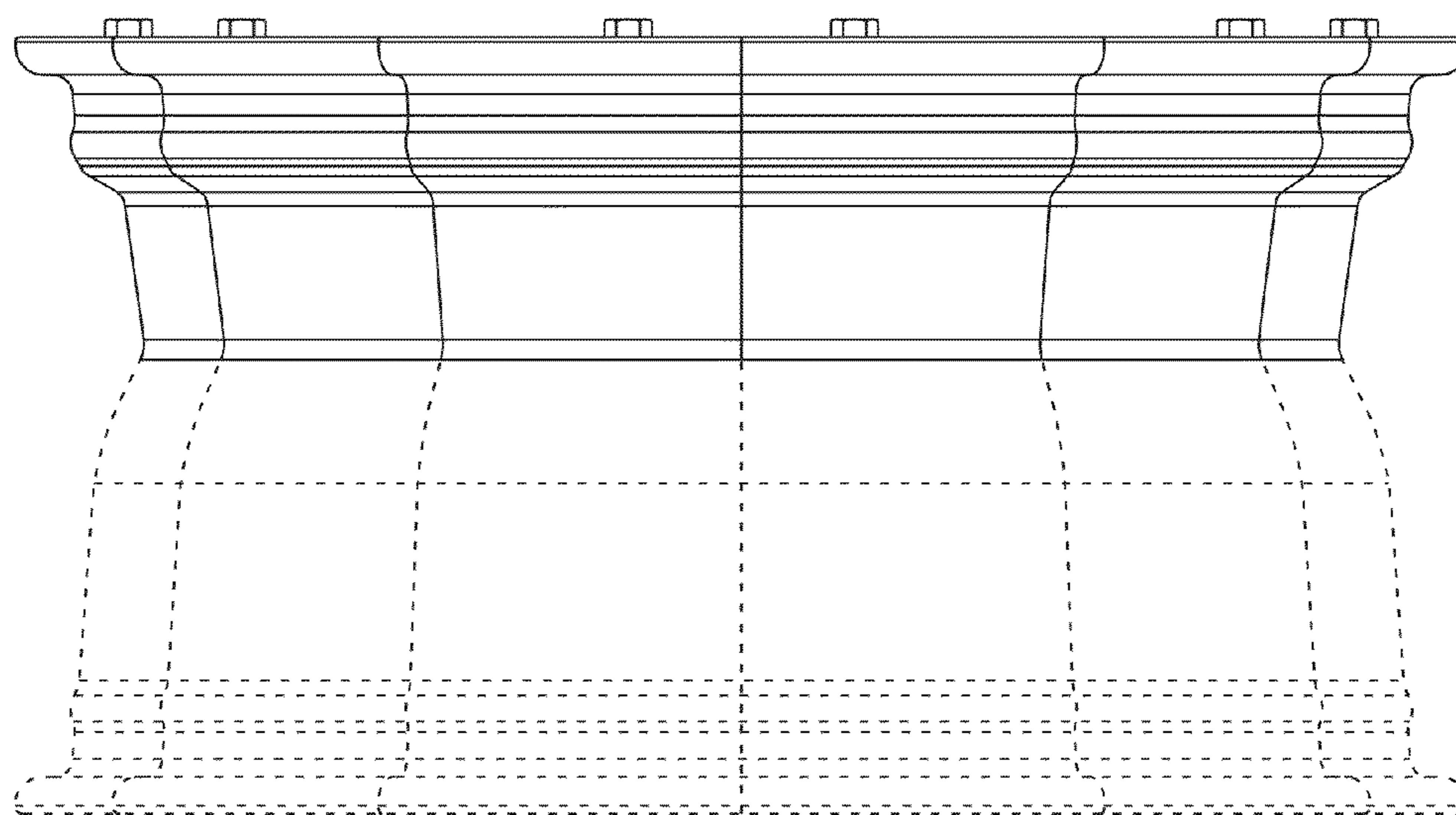


FIG. 6

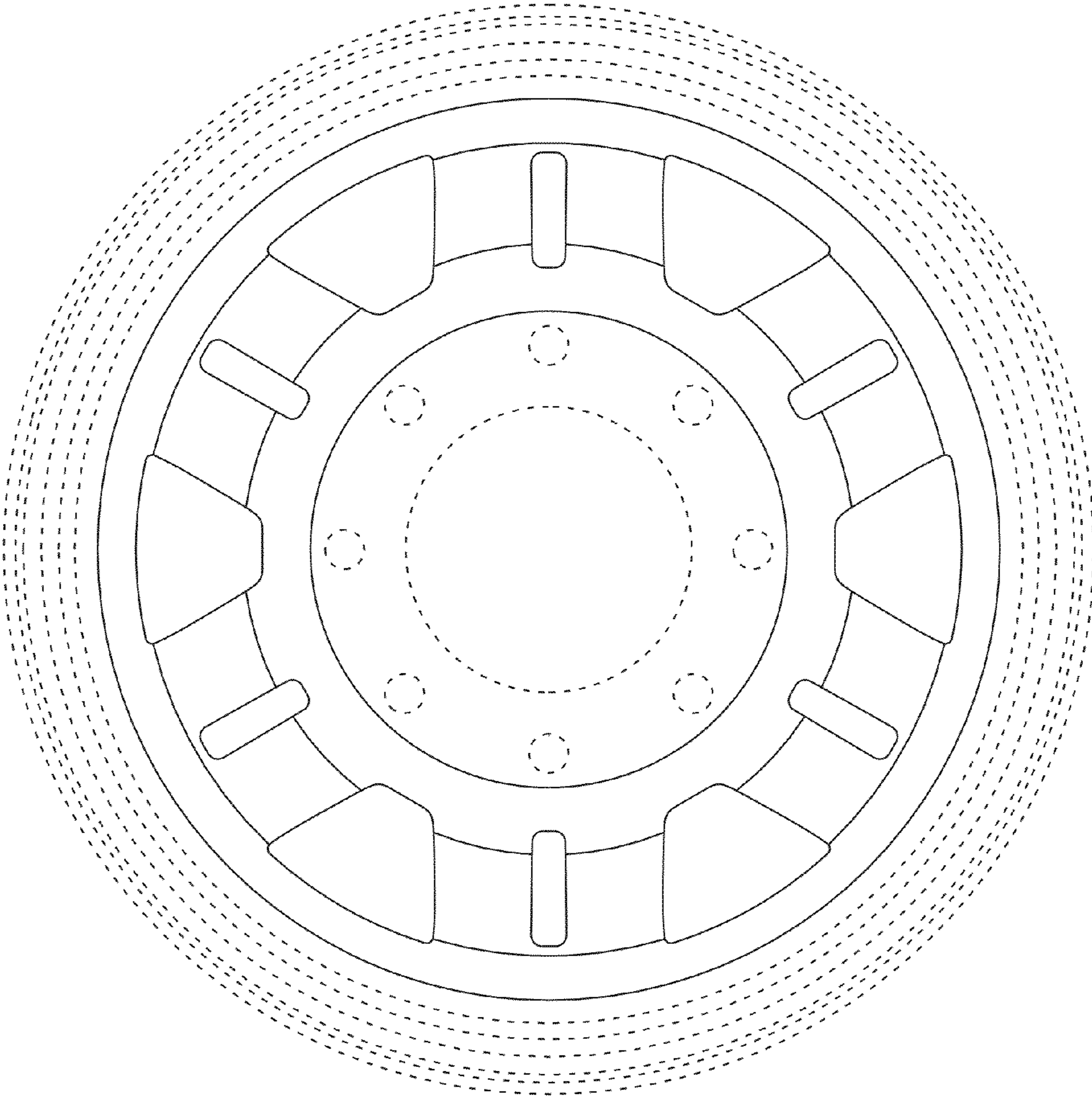


FIG. 7