



US00D747250S

(12) **United States Design Patent**
Bildhaeuser

(10) **Patent No.:** **US D747,250 S**

(45) **Date of Patent:** **** Jan. 12, 2016**

(54) **WHEEL OR WHEEL COVER**

(71) Applicant: **Daimler AG**, Stuttgart (DE)

(72) Inventor: **Hans-Peter Bildhaeuser**, Aidlingen (DE)

(73) Assignee: **Daimler AG**, Stuttgart (DE)

(**) Term: **14 Years**

(21) Appl. No.: **29/501,268**

(22) Filed: **Sep. 3, 2014**

(30) **Foreign Application Priority Data**

Mar. 4, 2014 (EM) 002417170-0002

(51) **LOC (10) Cl.** **12-16**

(52) **U.S. Cl.**
USPC **D12/209**

(58) **Field of Classification Search**
USPC D12/204-213
CPC B60B 7/00; B60B 7/02; B60B 7/04;
B60B 7/01; B60B 7/06; B60B 3/02; B60B
3/04; B60B 3/06; B60B 3/10; B60B 1/00;
B60B 1/08; B60B 1/10; B60B 1/12
See application file for complete search history.

(56) **References Cited**

U.S. PATENT DOCUMENTS

D444,439 S * 7/2001 Cullen D12/211
D486,108 S * 2/2004 Min D12/209

D503,915 S * 4/2005 Markefka D12/209
D508,671 S * 8/2005 Baum D12/209
D516,979 S * 3/2006 Muzzarelli D12/209
D527,325 S * 8/2006 Nagashima D12/209
D535,933 S * 1/2007 Markefka D12/209
D597,917 S * 8/2009 Chung D12/209
D669,011 S * 10/2012 Chung D12/211
D679,645 S * 4/2013 Chung D12/209
D683,293 S * 5/2013 Wang D12/204
D685,708 S * 7/2013 Gallert D12/209
D700,123 S * 2/2014 Bildhaeuser D12/209
D701,157 S * 3/2014 McMath D12/211
D704,116 S * 5/2014 Chung D12/209
D713,312 S * 9/2014 Villarruel D12/209
D716,712 S * 11/2014 Lemke D12/211
D730,796 S * 6/2015 Dingle D12/209
D735,103 S * 7/2015 Lemke D12/209

* cited by examiner

Primary Examiner — Stacia Cadmus

(74) *Attorney, Agent, or Firm* — Crowell & Moring LLP

(57) **CLAIM**

The ornamental design for a wheel or wheel cover, as shown and described.

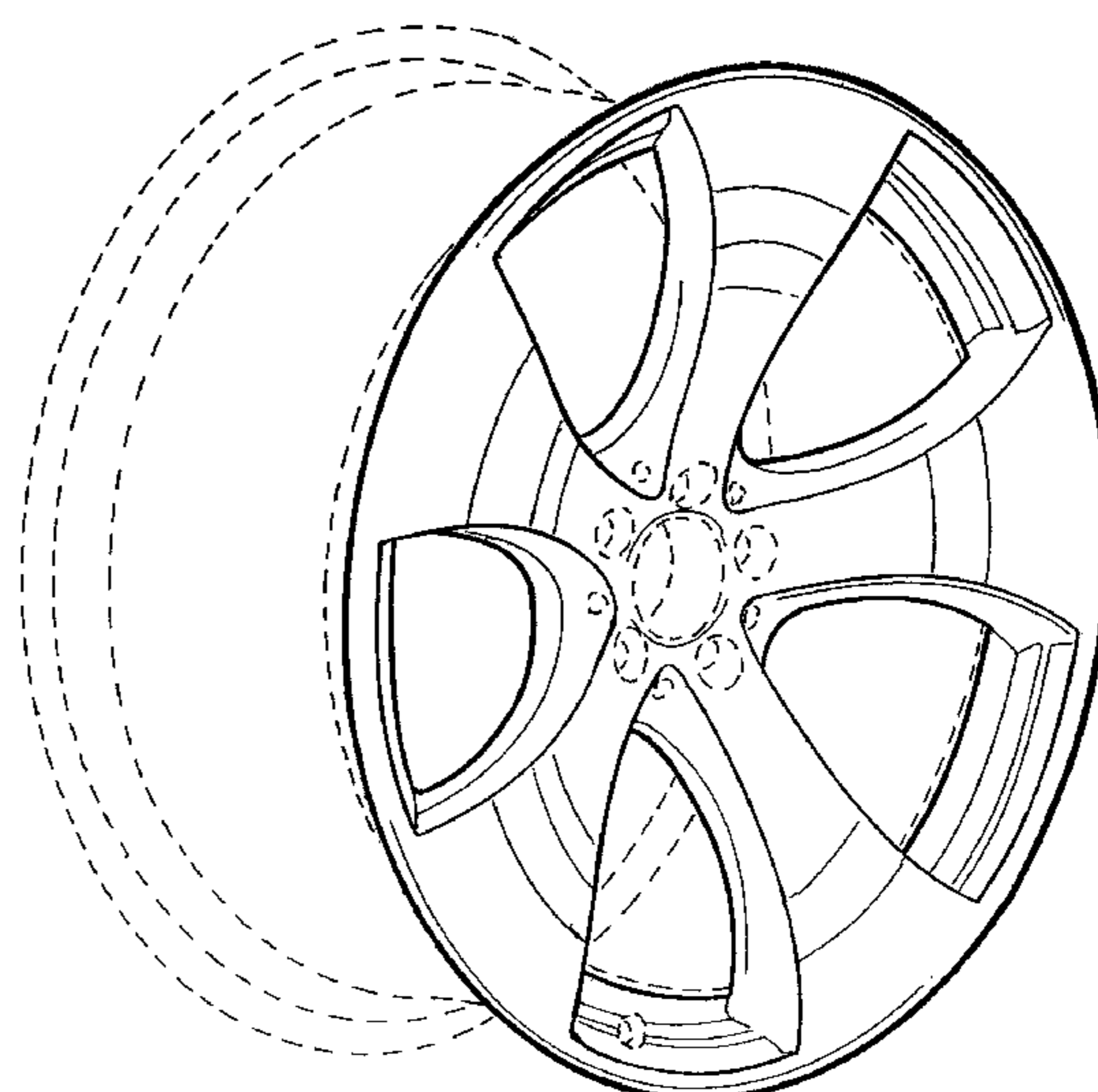
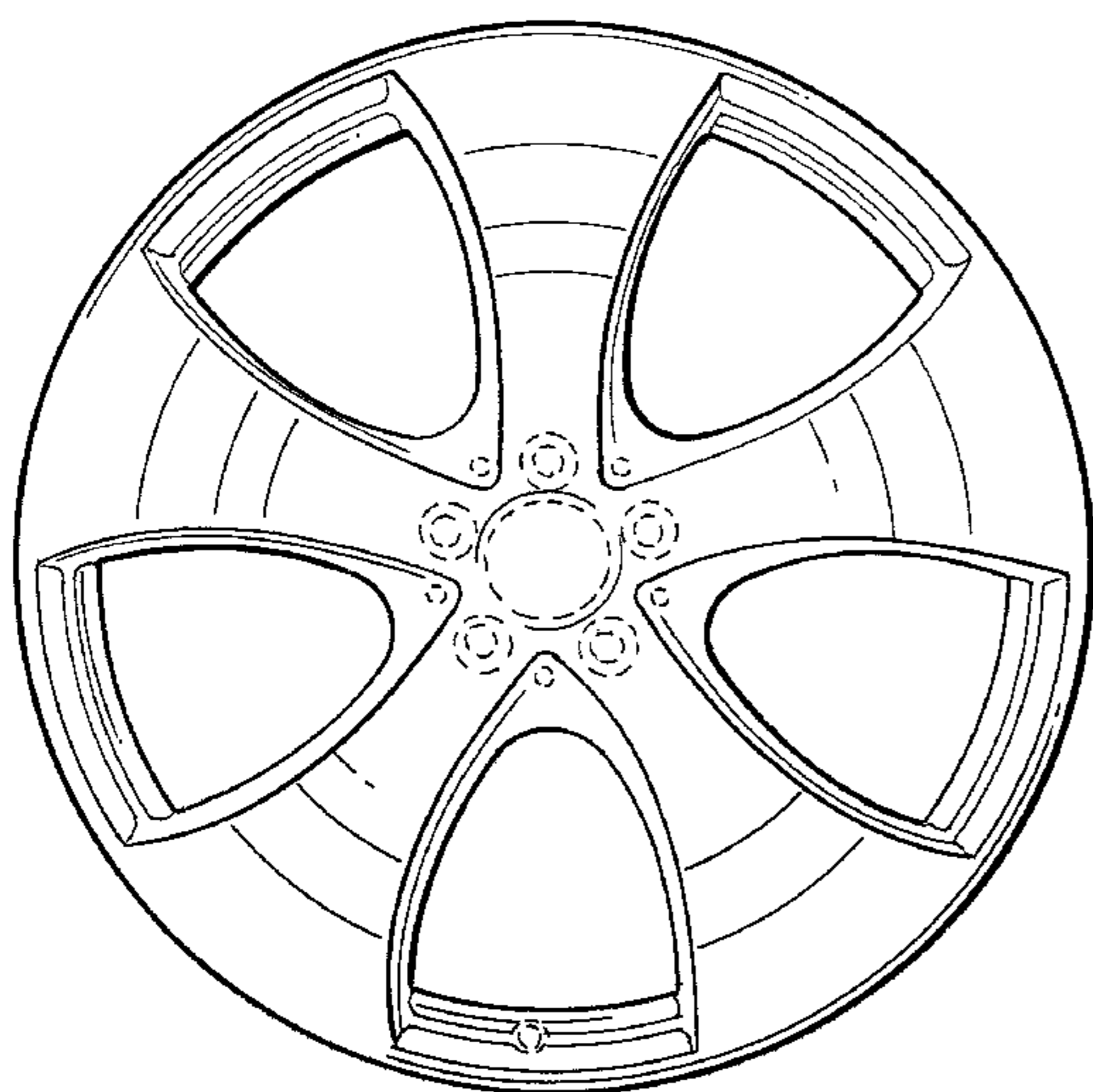
DESCRIPTION

FIG. 1 is a front view of a wheel or wheel cover according to the design; and,

FIG. 2 is a perspective view thereof.

The broken line showing of the rear of the wheel, the valve stem hole and the bolt holes and the center hole in the central hub area is included for the purpose of illustrating environment and forms no part of the claimed design.

1 Claim, 1 Drawing Sheet



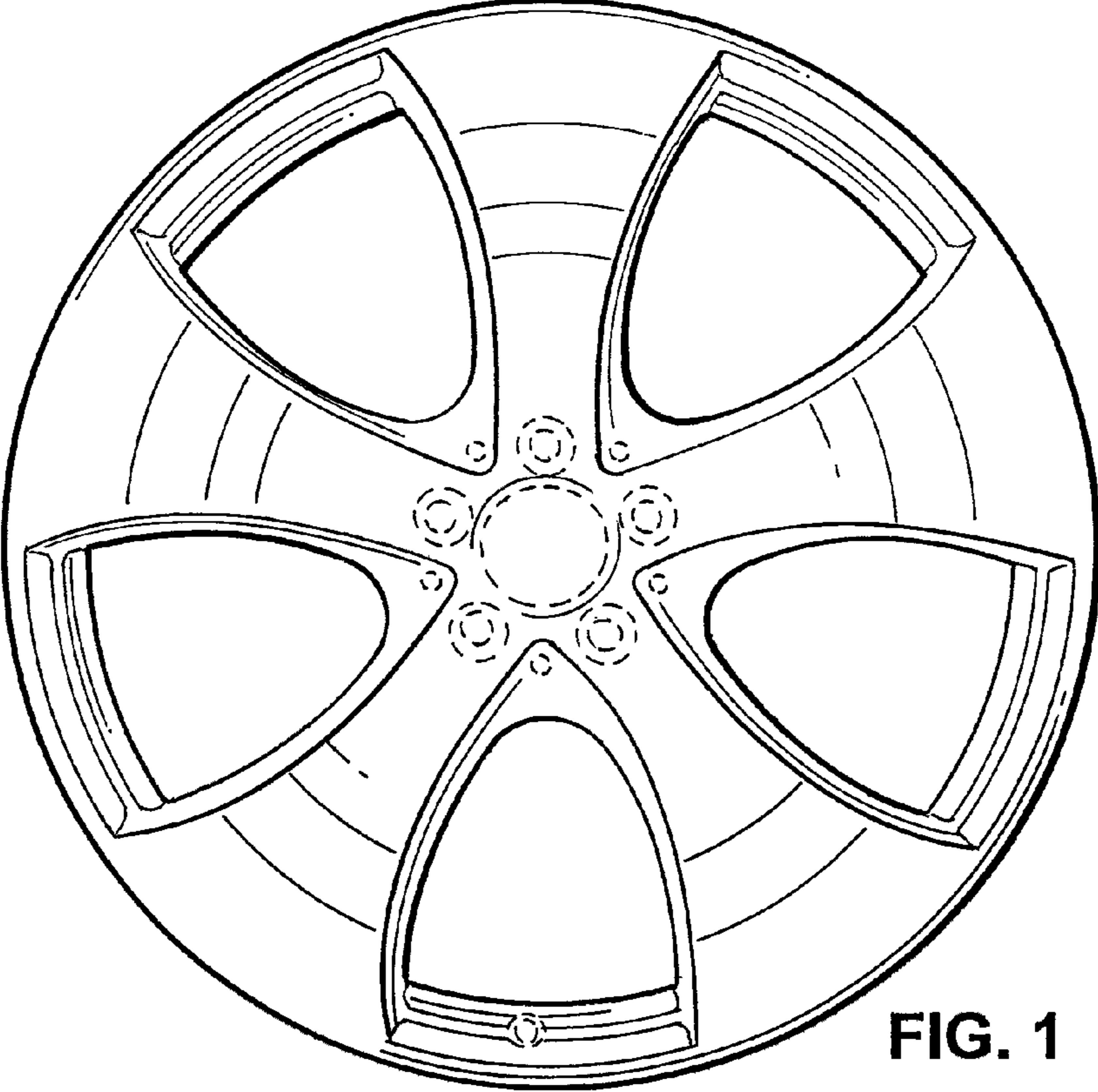


FIG. 1

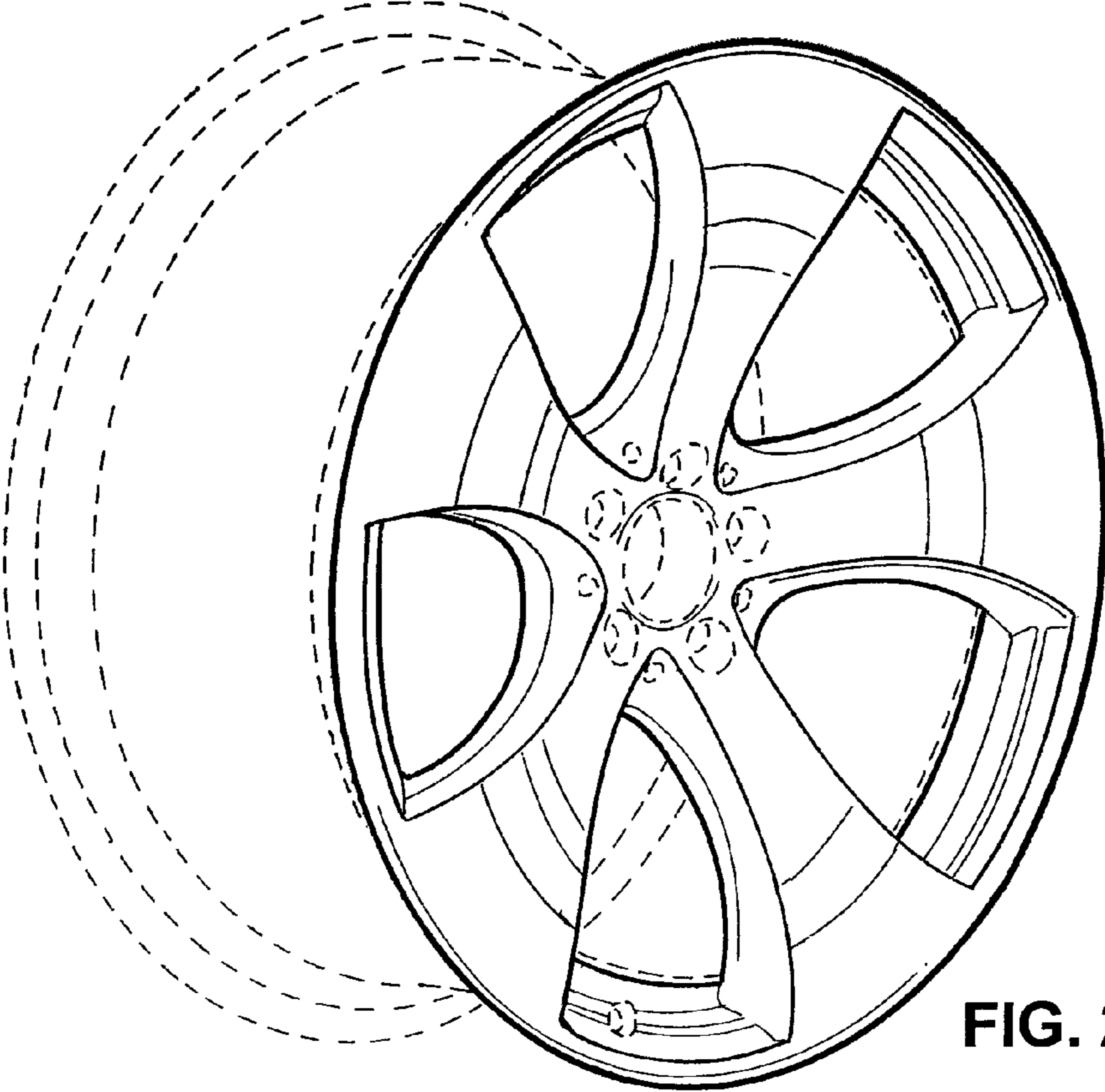


FIG. 2