



US00D747246S

(12) **United States Design Patent**
Ohashi et al.

(10) **Patent No.:** **US D747,246 S**
(45) **Date of Patent:** **** Jan. 12, 2016**

(54) **CLIP FOR VEHICLE**

(71) Applicant: **Daiwa Kasei Industry Co., Ltd.**, Aichi (JP)

(72) Inventors: **Kenji Ohashi**, Aichi (JP); **Norihito Itou**, Aichi (JP)

(73) Assignee: **DAIWA KASEI INDUSTRY CO., LTD.**, Aichi (JP)

(**) Term: **14 Years**

(21) Appl. No.: **29/503,469**

(22) Filed: **Sep. 26, 2014**

(30) **Foreign Application Priority Data**

Apr. 16, 2014 (JP) 2014-008290

(51) **LOC (10) Cl.** **12-08**

(52) **U.S. Cl.**
USPC **D12/190**

(58) **Field of Classification Search**
USPC D12/190, 106, 181, 191, 196, 400, 88
CPC B60R 13/02; B60R 13/04
See application file for complete search history.

(56) **References Cited**

U.S. PATENT DOCUMENTS

- D679,177 S * 4/2013 Craig D8/395
- D682,807 S * 5/2013 Stevinson D14/205
- D696,106 S * 12/2013 Tachibana D8/395
- D723,399 S * 3/2015 Sullivan D10/69
- 2013/0145585 A1 * 6/2013 Watanabe F16B 19/1081
24/595.1
- 2015/0033516 A1 * 2/2015 Saiga B60N 2/5825
24/594.1
- 2015/0201972 A1 * 7/2015 Doubler A61B 17/7002
606/266
- 2015/0224009 A1 * 8/2015 Cedrone A61G 13/1245
128/845
- 2015/0240847 A1 * 8/2015 Nosalik A63H 33/101
24/455

2015/0252826 A1* 9/2015 Cooley F16B 21/086
24/499
2015/0283957 A1* 10/2015 Dickinson F16B 5/123
24/303

(Continued)

Primary Examiner — Katrina A Betton

(74) *Attorney, Agent, or Firm* — McClure, Qualey & Rodack, LLP

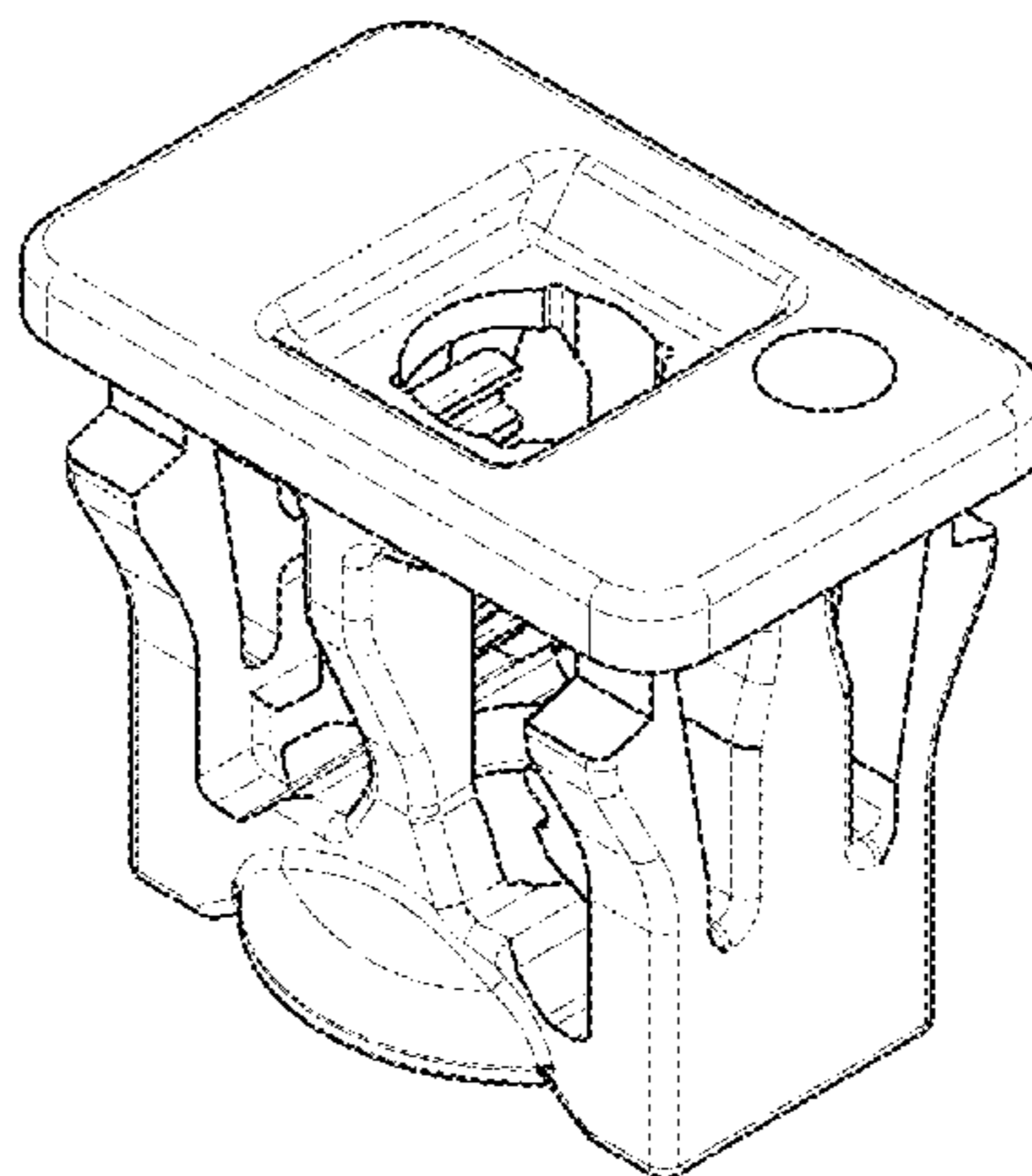
(57) **CLAIM**

The ornamental design for a clip for vehicle, as shown and described.

DESCRIPTION

FIG. 1 is a perspective view viewed from top side of the present invention;
 FIG. 2 is a perspective view viewed from bottom side thereof;
 FIG. 3 is a front view thereof;
 FIG. 4 is a back view thereof;
 FIG. 5 is a right side view thereof,
 FIG. 6 is a left side view thereof,
 FIG. 7 is a top plan view thereof,
 FIG. 8 is a bottom plan view thereof,
 FIG. 9 is a sectional view taken along line IX-IX in FIG. 3 thereof,
 FIG. 10 is a sectional view taken along line X-X in FIG. 3 thereof,
 FIG. 11 is a perspective sectional view taken along line XI-XI in FIG. 3 thereof,
 FIG. 12 is a sectional view taken along line XII-XII in FIG. 5 thereof,
 FIG. 13 is a perspective sectional view taken along line XIII-XIII in FIG. 5 thereof,
 FIG. 14 is a perspective sectional view taken along line XIV-XIV in FIG. 7 thereof,
 FIG. 15 is a sectional view taken along line XV-XV in FIG. 3 thereof,
 FIG. 16 is a sectional view taken along line XVI-XVI in FIG. 3 thereof,
 FIG. 17 is an exploded cross-sectional view thereof; and,
 FIG. 18 is a cross-sectional view showing the clip in use.
 In the drawings, the broken lines depict portions of a vehicle that form no part of the claimed design.

1 Claim, 9 Drawing Sheets



US D747,246 S

Page 2

(56)

References Cited

2015/0293379 A1* 10/2015 Votel G02C 13/001
351/62

U.S. PATENT DOCUMENTS

2015/0291252 A1* 10/2015 Coderre B62M 3/086
74/594.4

* cited by examiner

FIG. 1

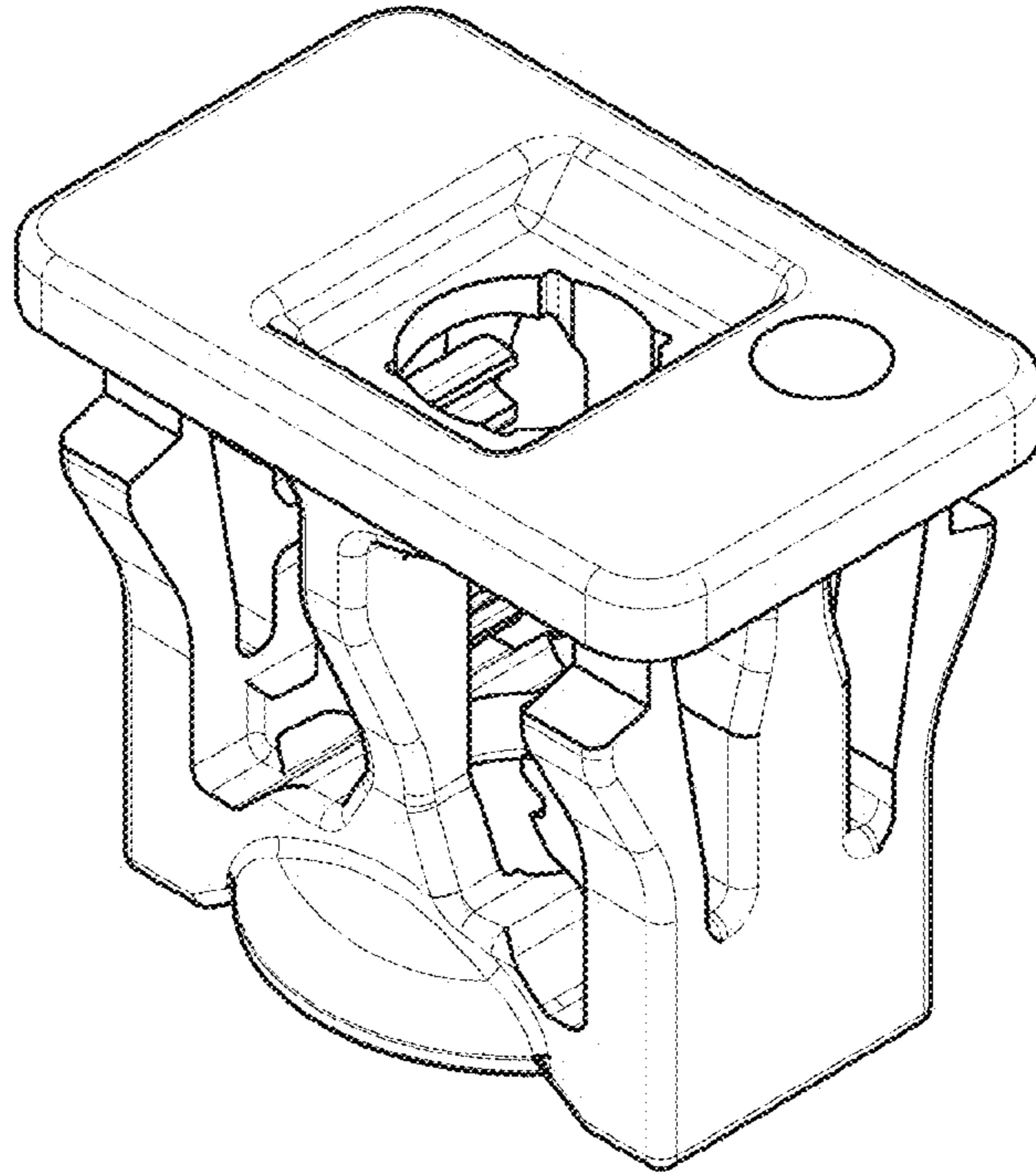


FIG. 2

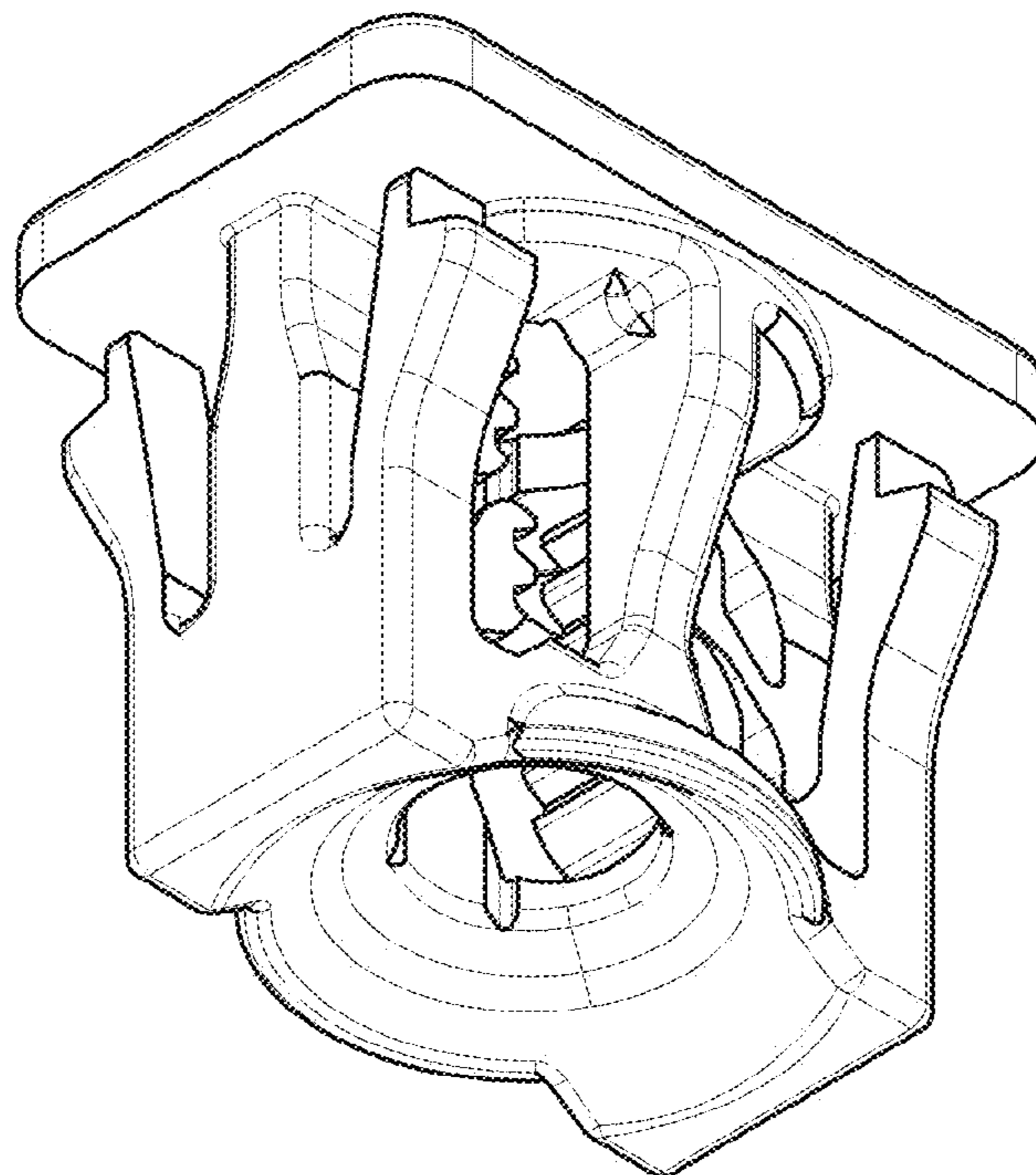


FIG.3

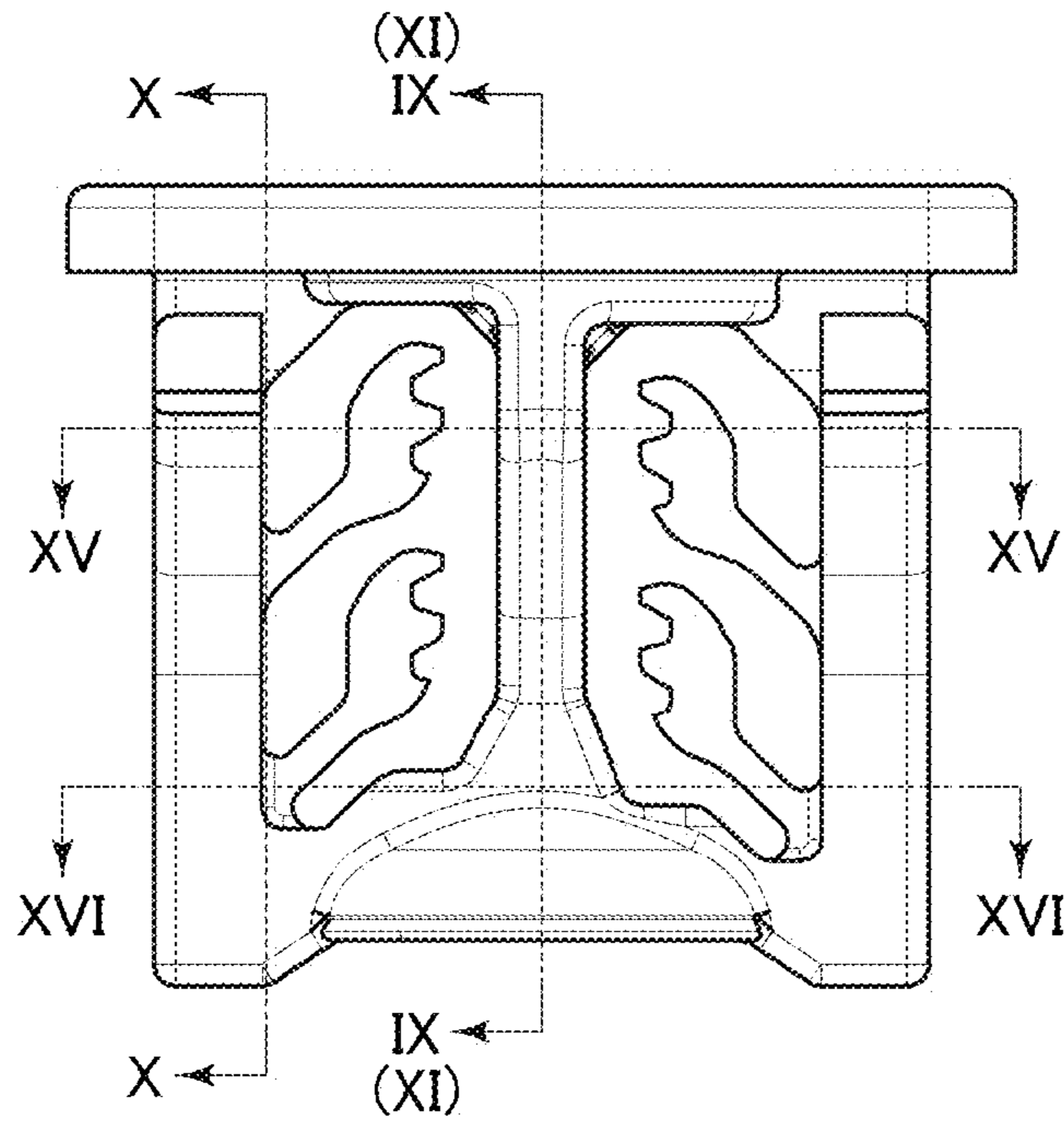


FIG.4

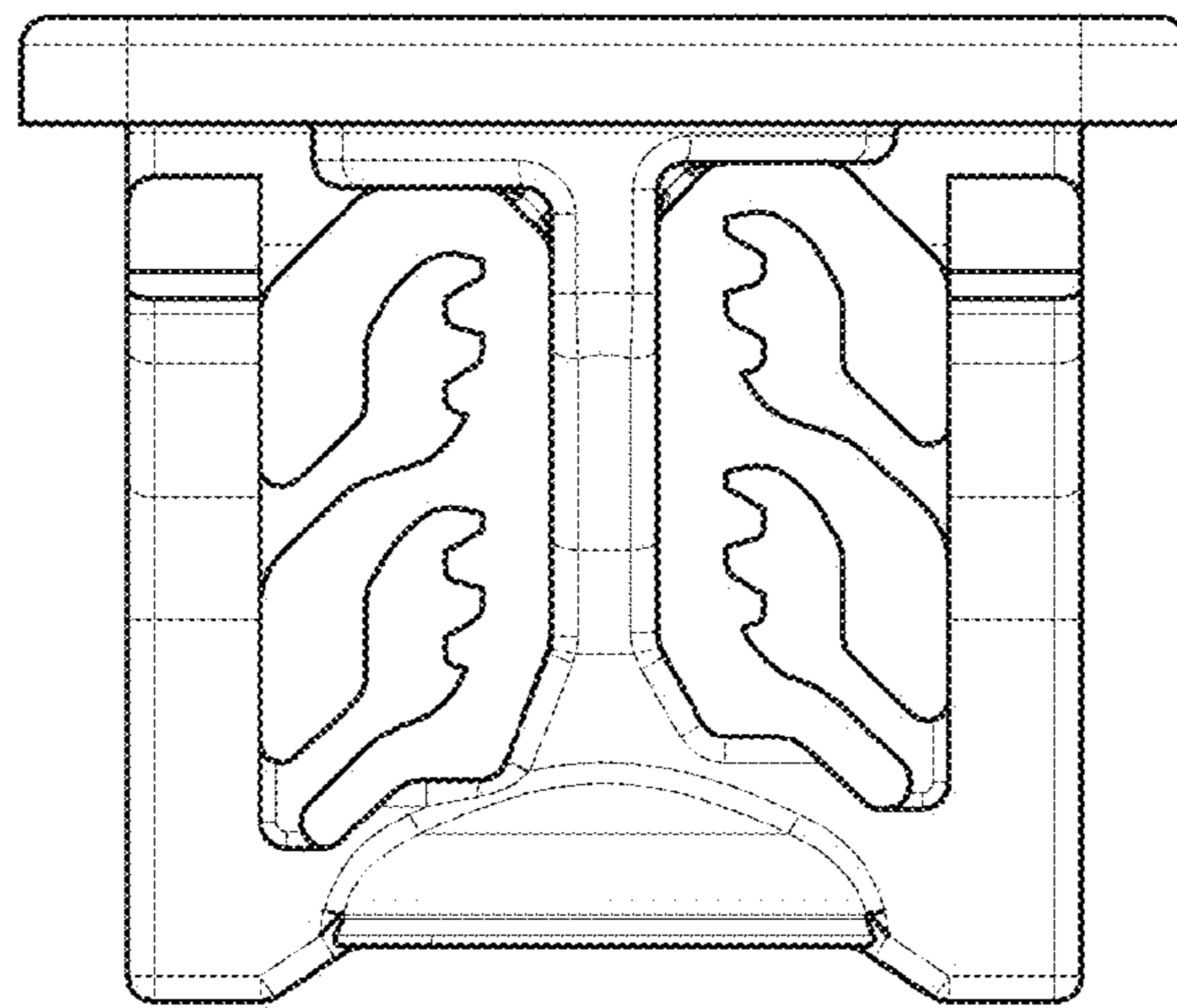


FIG.5

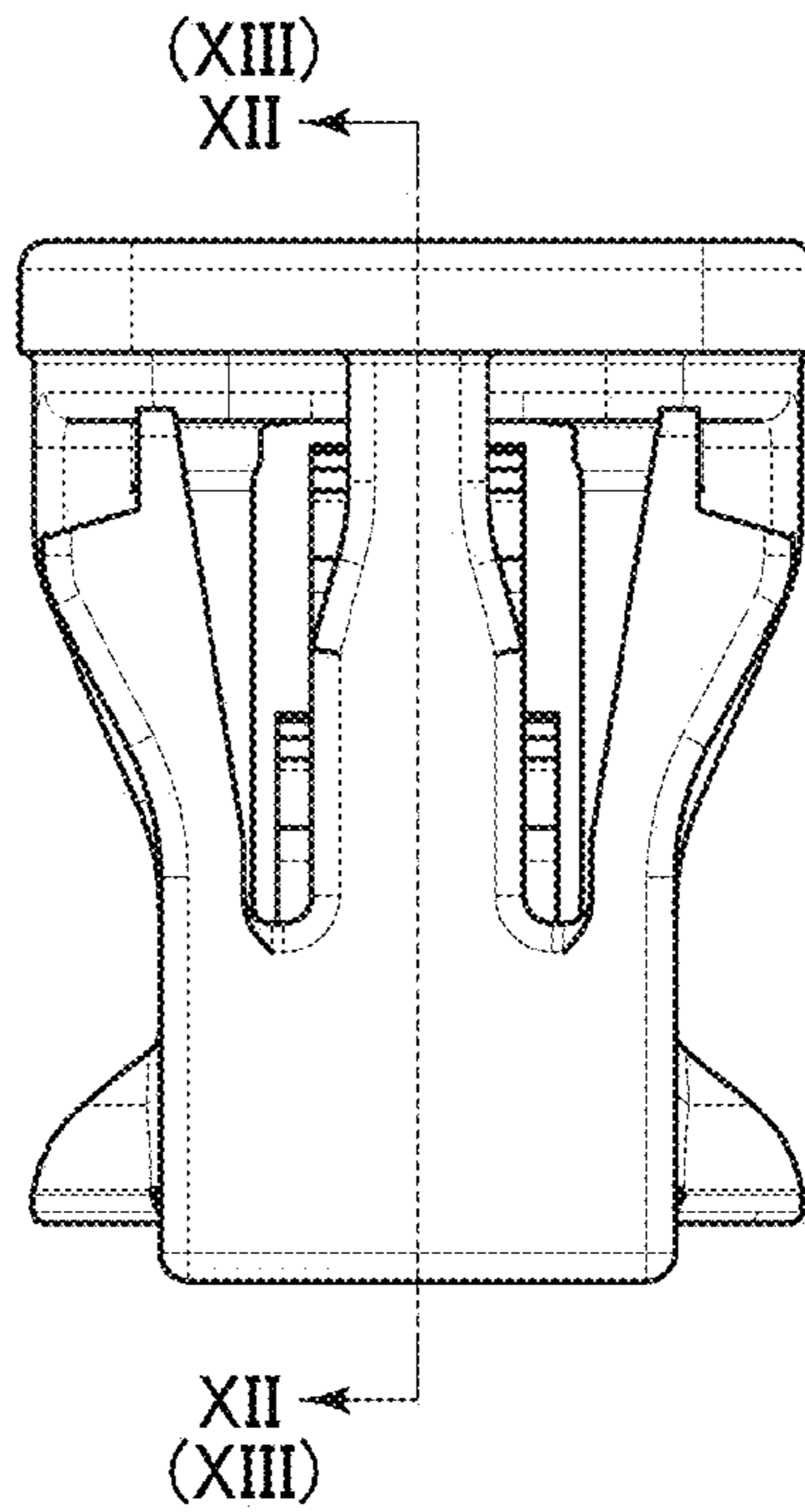


FIG.6

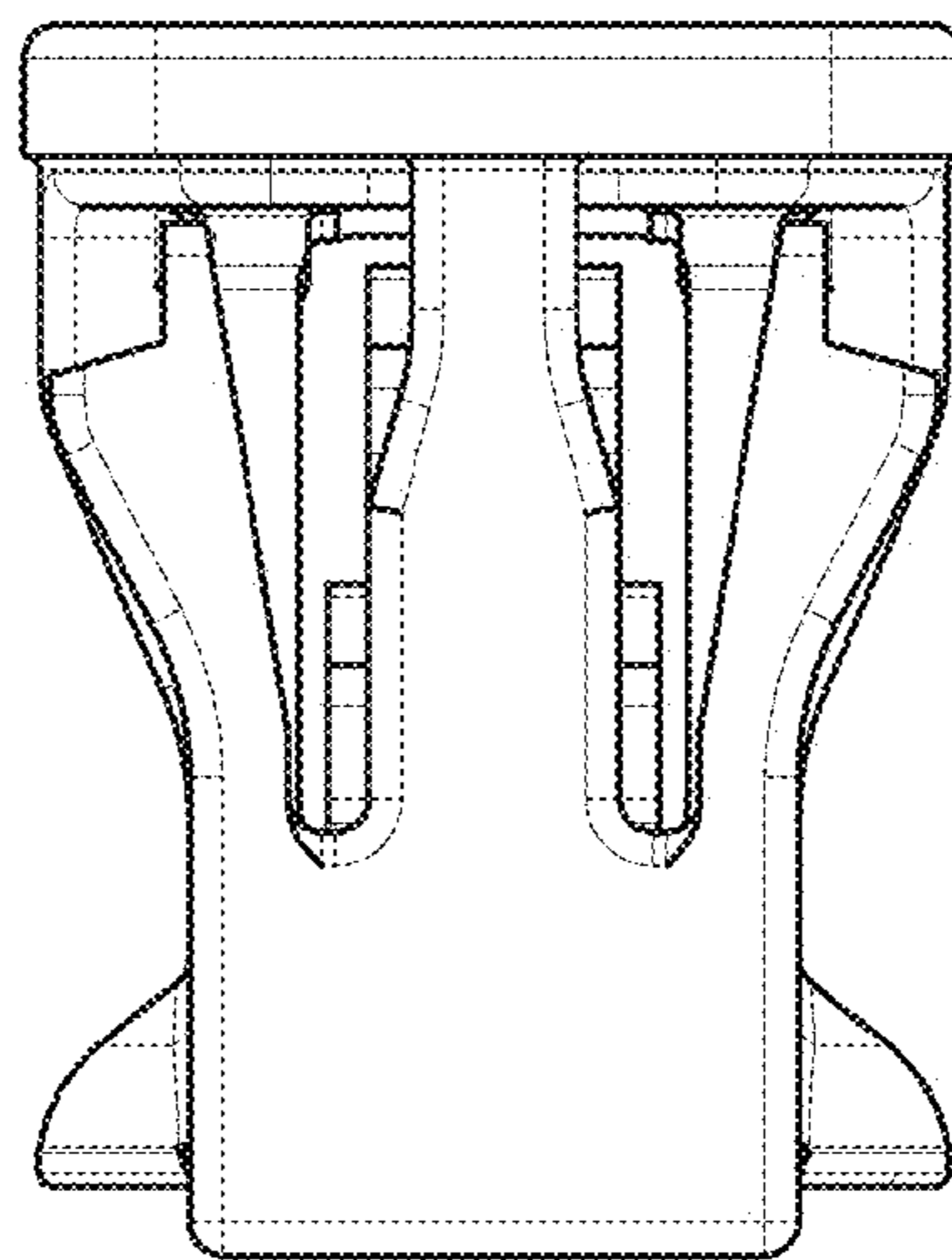


FIG.7

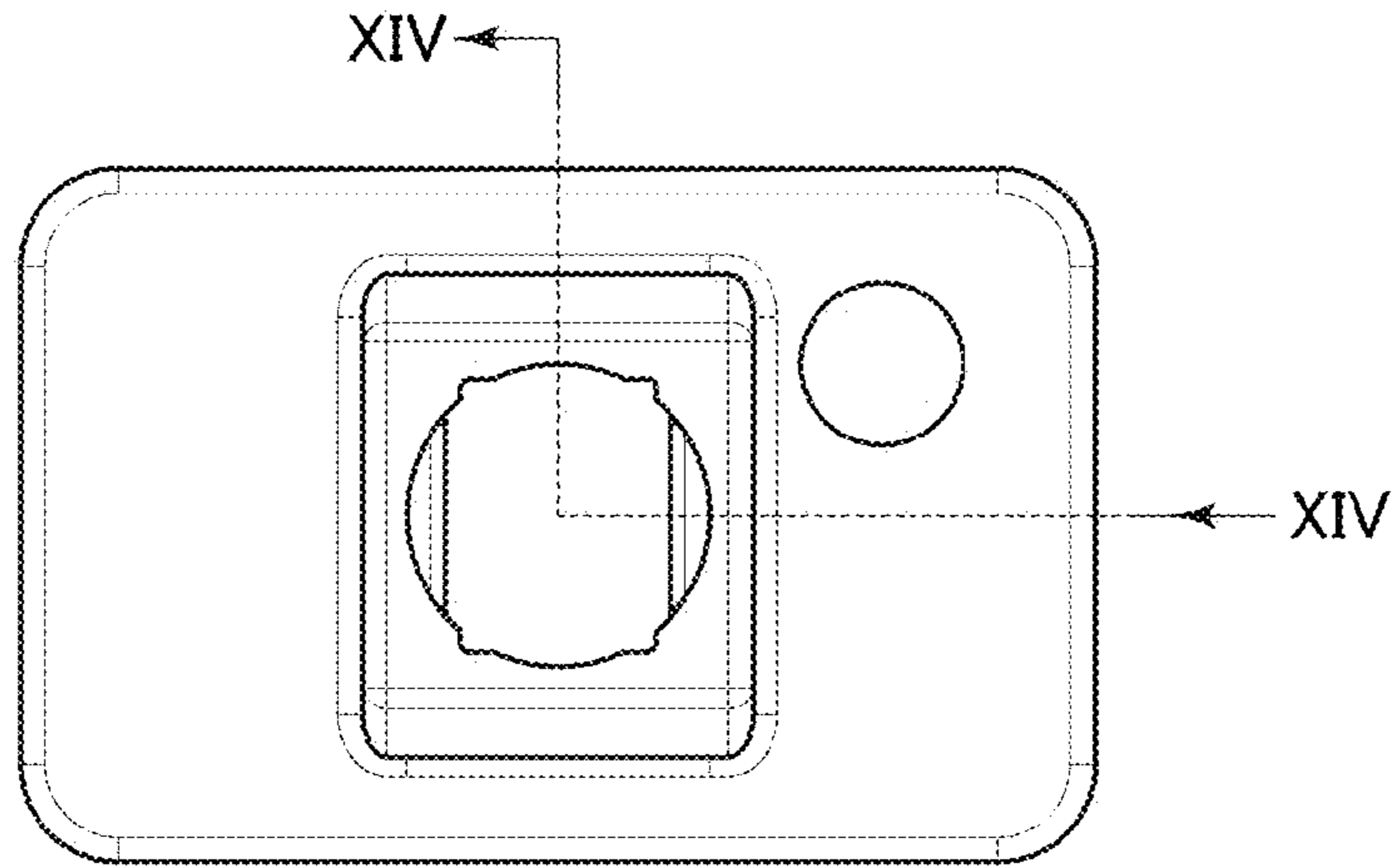


FIG.8

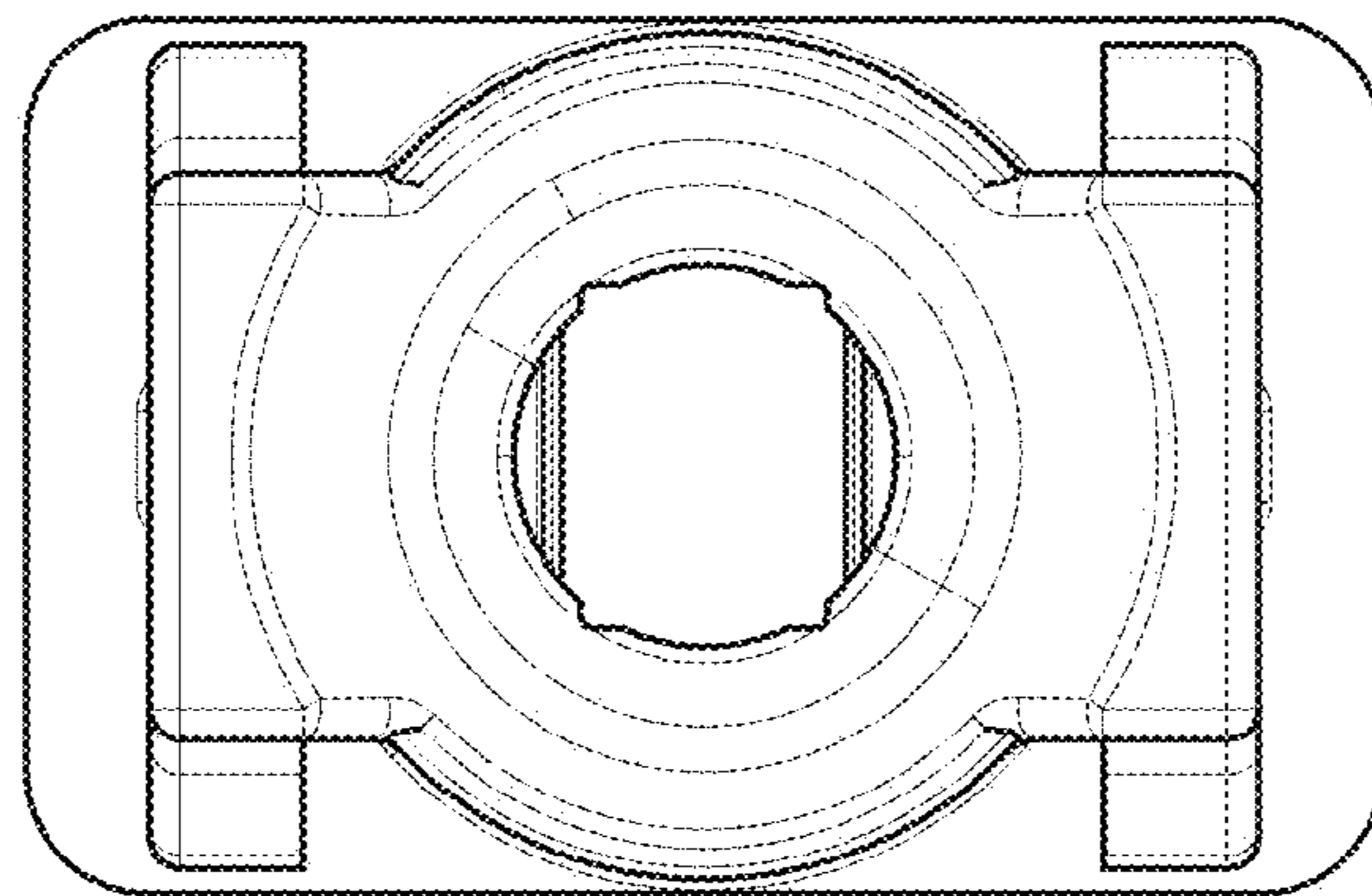


FIG.9

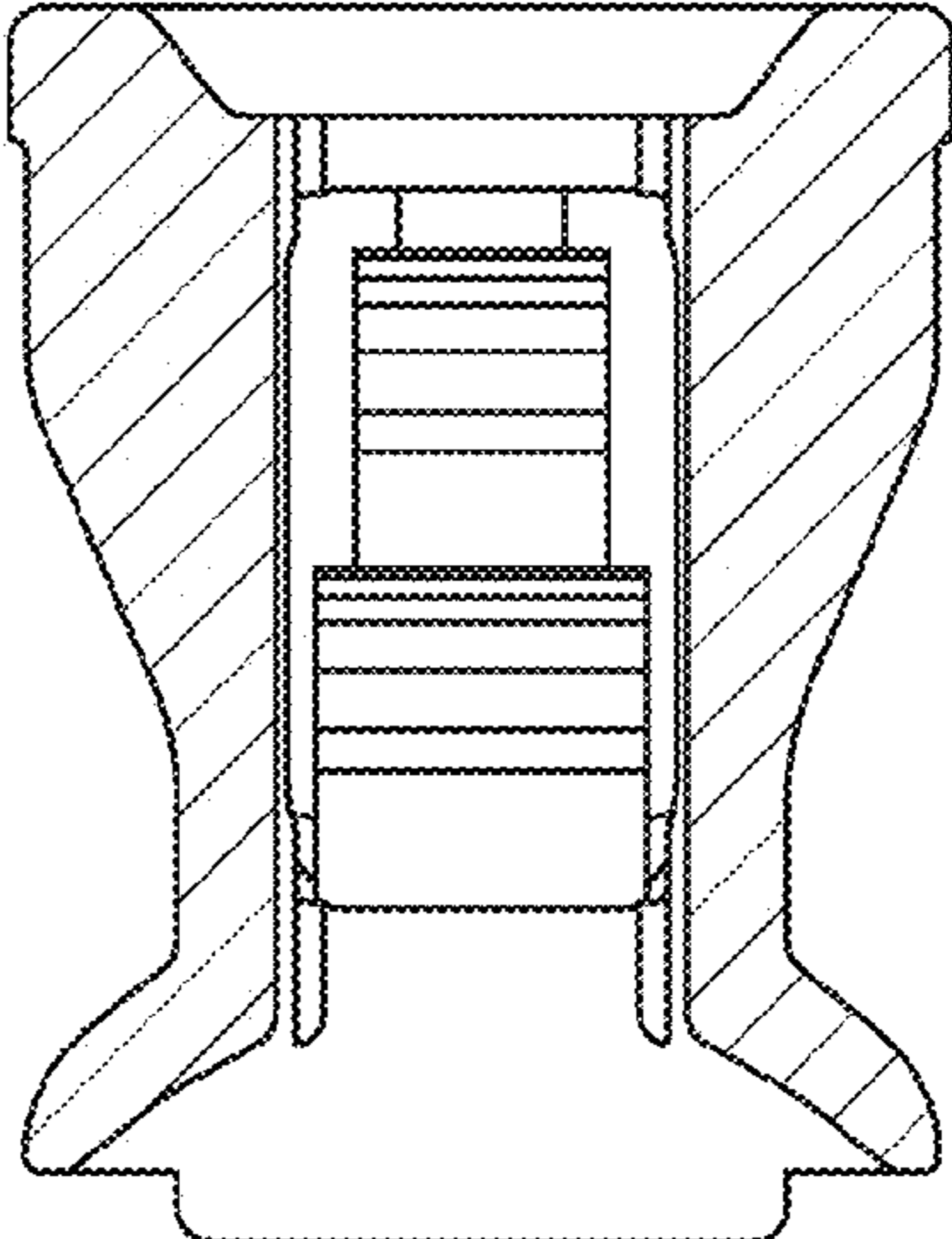


FIG.10

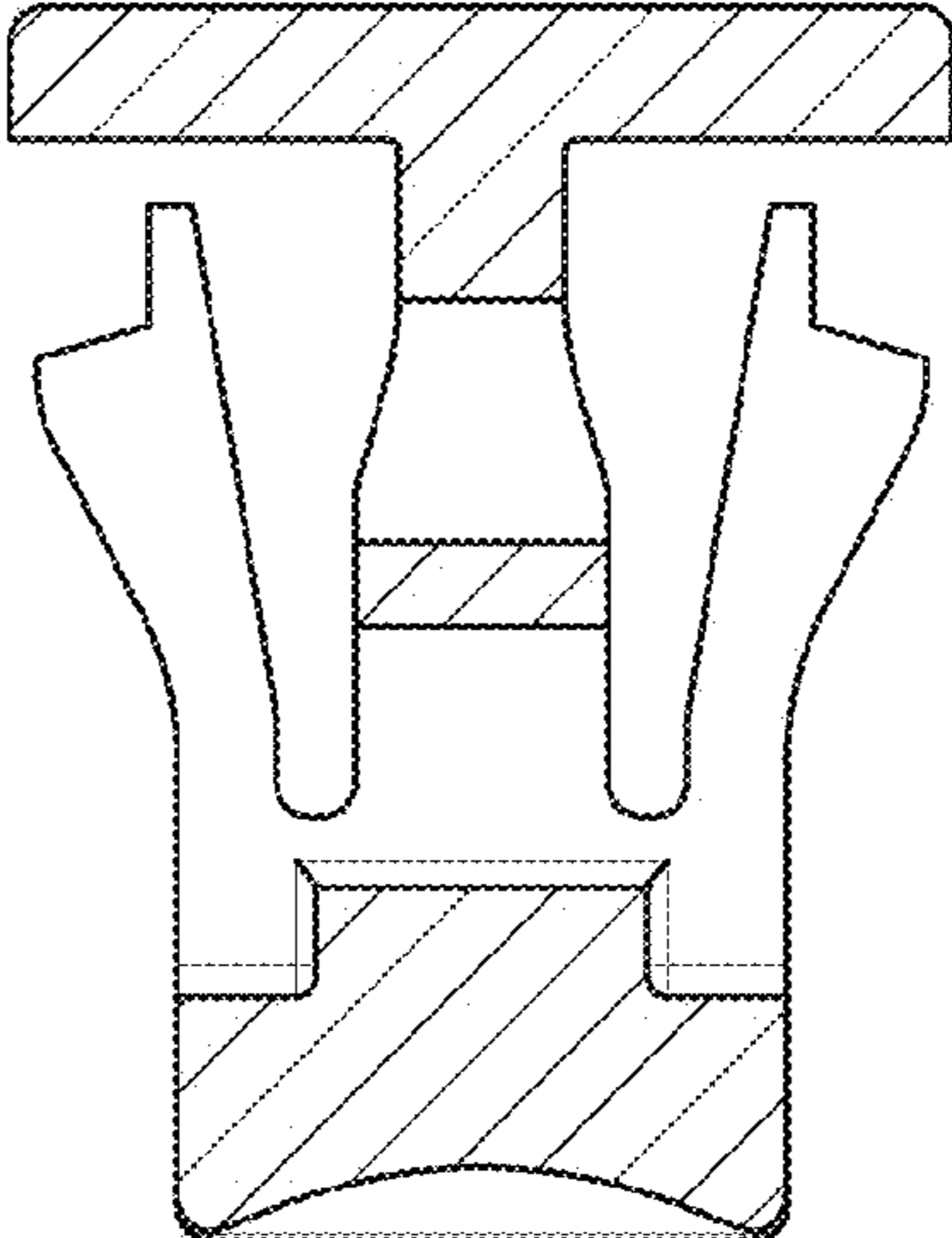


FIG. 11

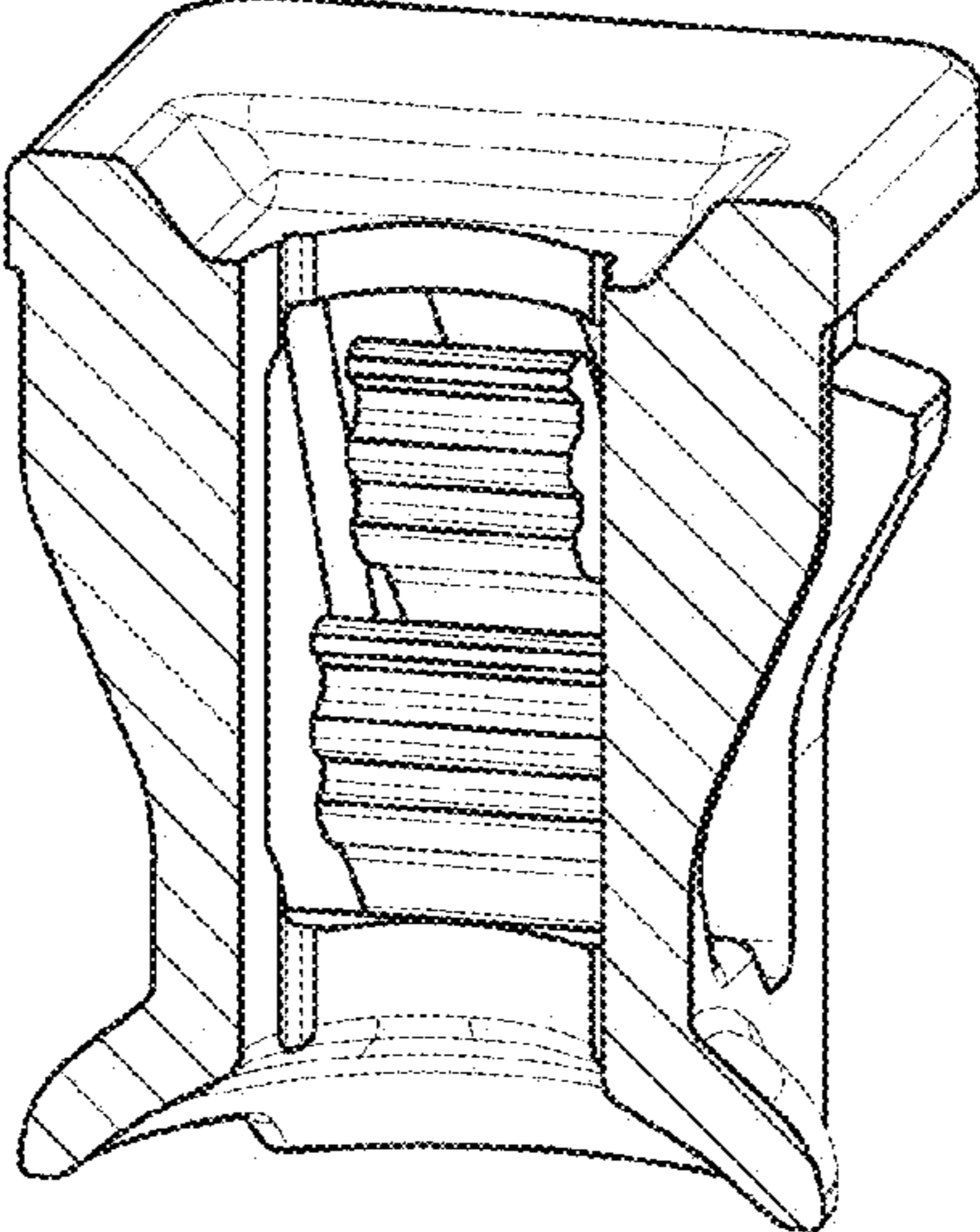


FIG. 12

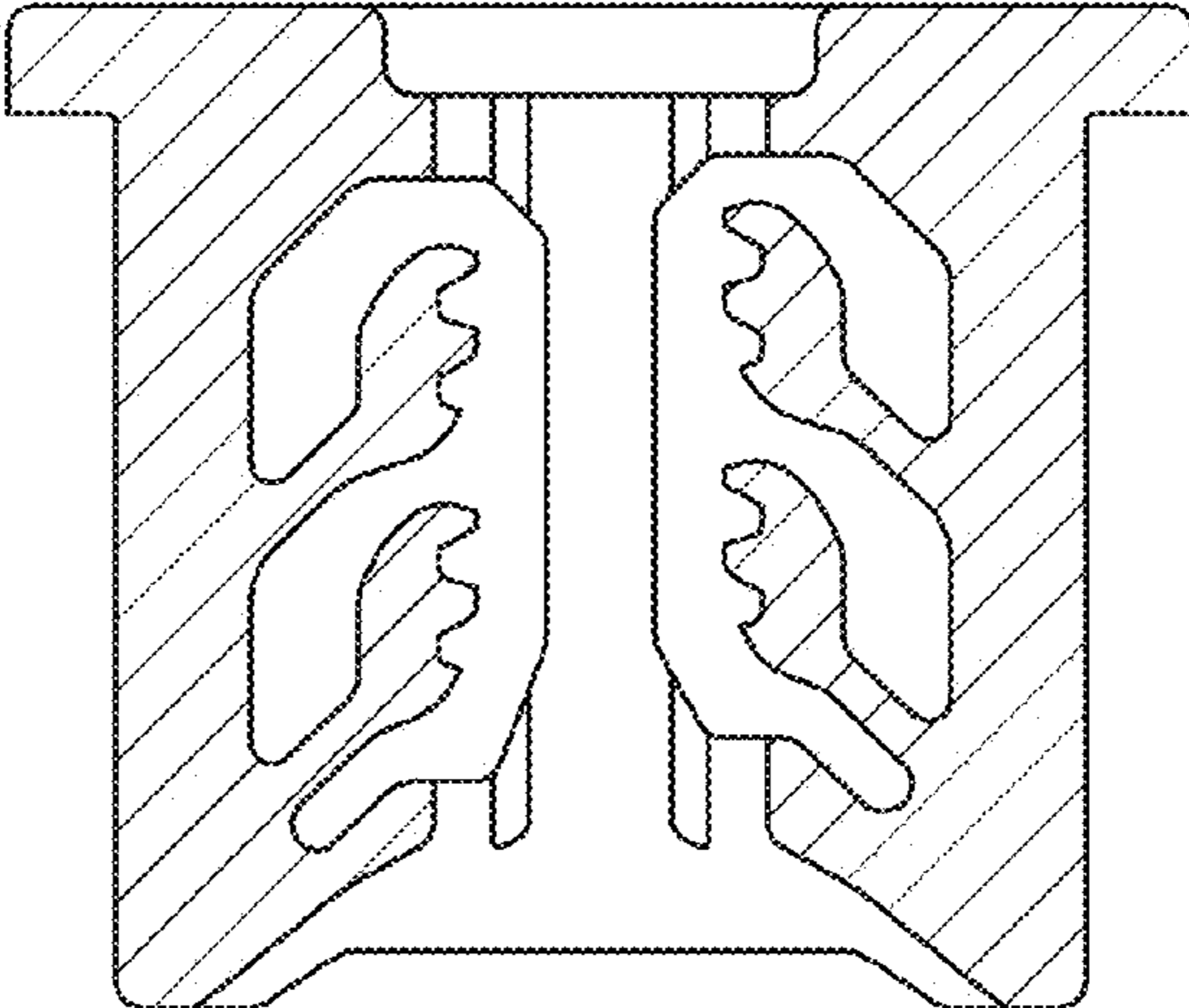


FIG. 13

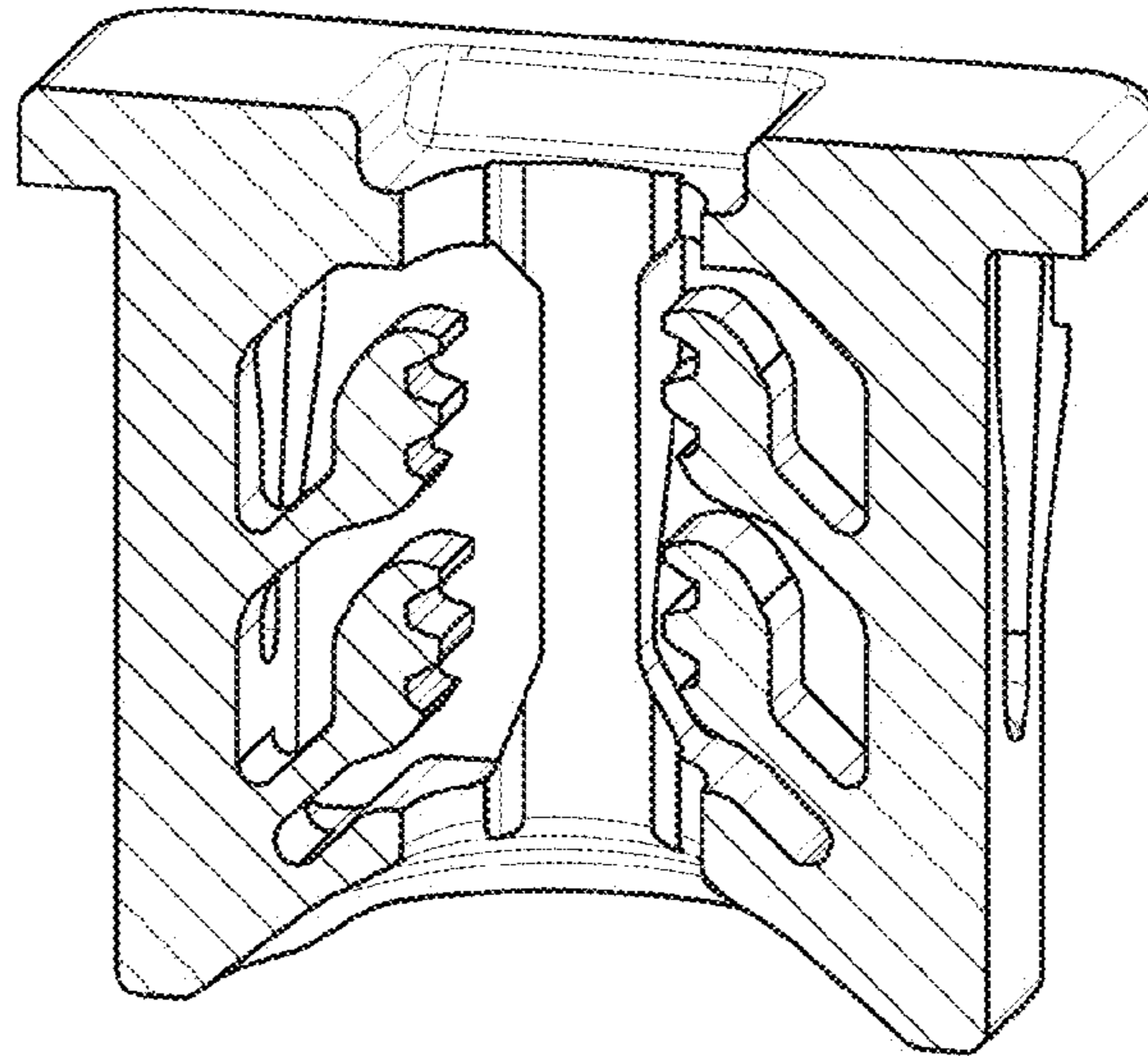


FIG. 14

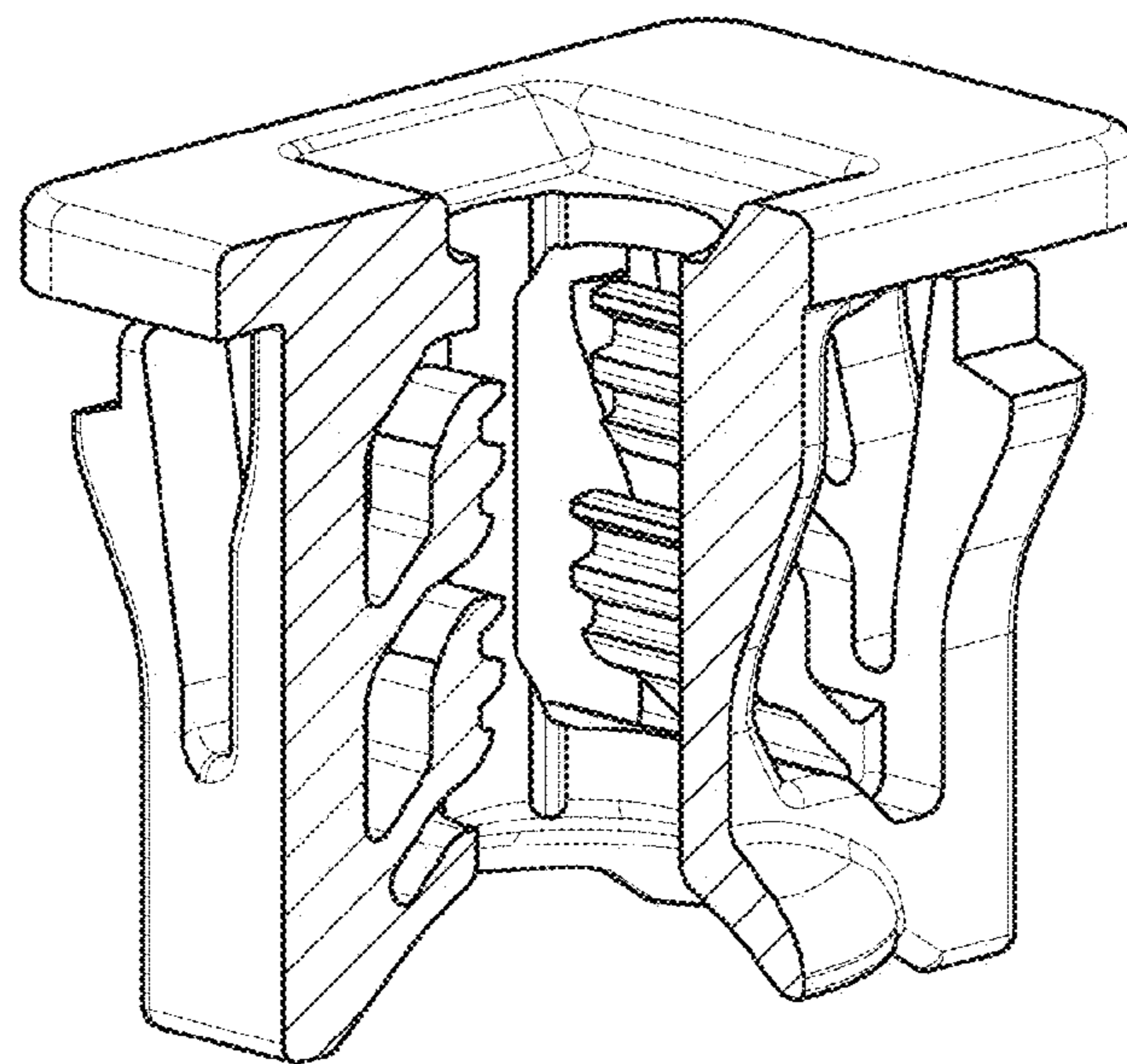


FIG.15

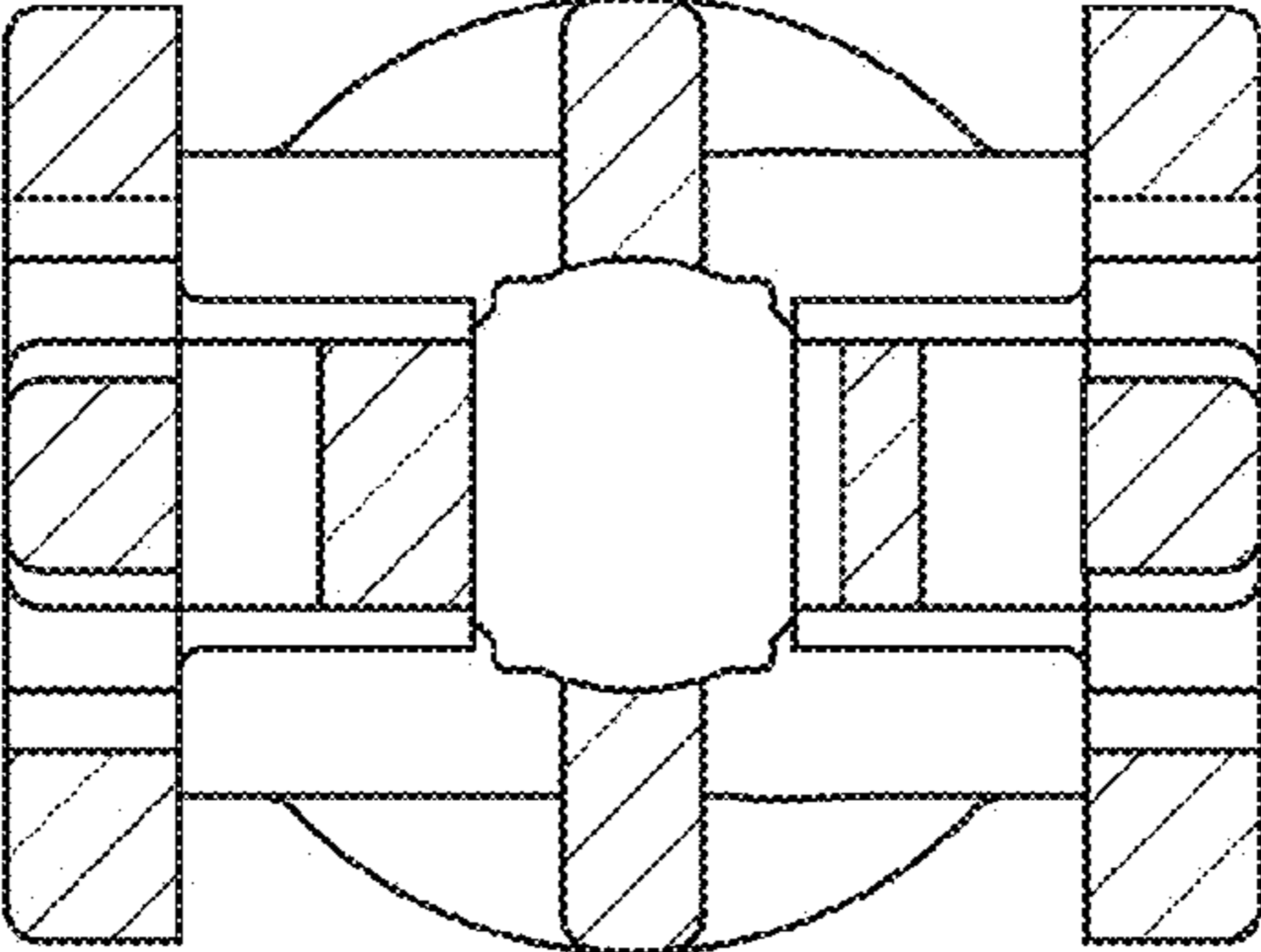


FIG.16

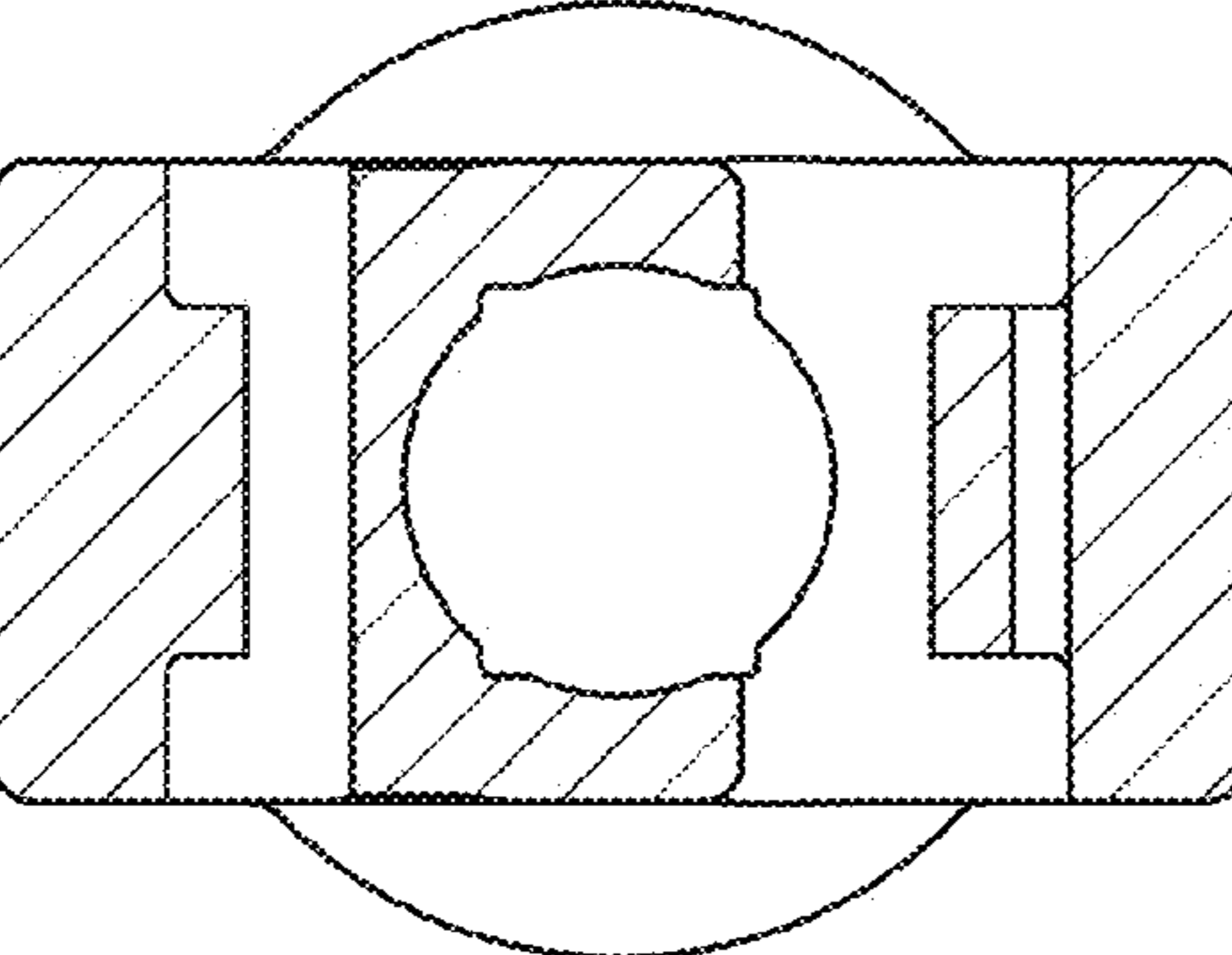


FIG. 17

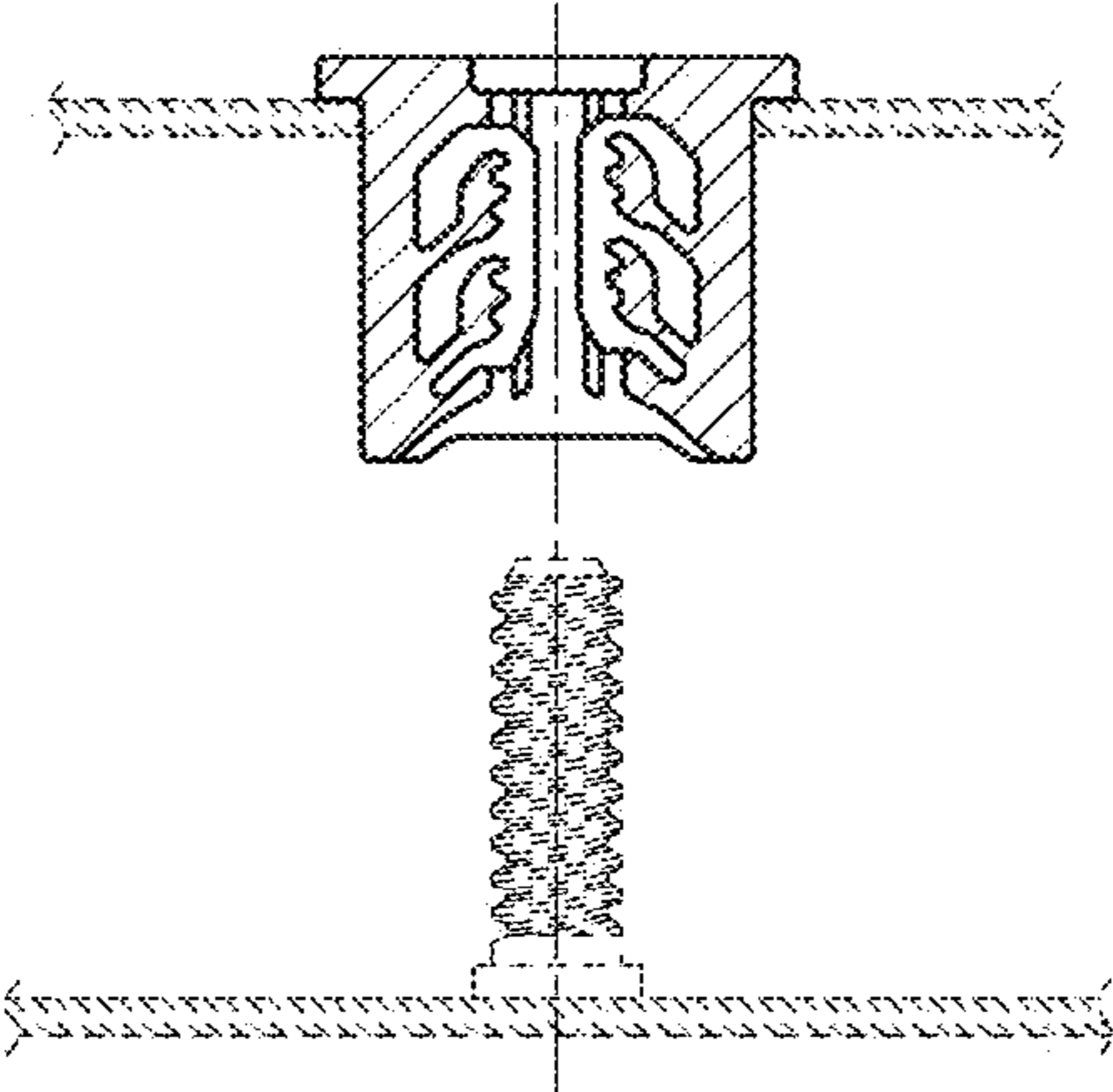


FIG. 18

