



US00D747245S

(12) **United States Design Patent**
Nosworthy

(10) **Patent No.:** **US D747,245 S**
(45) **Date of Patent:** **** Jan. 12, 2016**

- (54) **SPINDLE MOUNTING PLATE FOR DISC BRAKES**
- (71) Applicant: **Dennis Michael Nosworthy**, Coto De Caza, CA (US)
- (72) Inventor: **Dennis Michael Nosworthy**, Coto De Caza, CA (US)
- (**) Term: **14 Years**
- (21) Appl. No.: **29/496,855**
- (22) Filed: **Jul. 17, 2014**
- (51) **LOC (10) Cl.** **12-16**
- (52) **U.S. Cl.**
USPC **D12/180**
- (58) **Field of Classification Search**
USPC D12/114, 159, 160, 177, 180, 207, 223, D12/400; D8/300, 310, 349-352, 354, 366, D8/382, 393; D23/233, 245, 259-269; 188/274, 281, 286, 298, 297, 315, 316; 267/64.15, 136, 195, 217; 280/11.225, 280/86.752, 124.147, 124.145, 124.146, 280/124.155; 464/173
CPC F16D 65/12; F16D 65/123; F16F 1/02; F16F 1/36; F16F 7/003; F16F 7/01; F16F 7/02; F16F 7/08; F16F 7/10; F16F 7/12; F16F 7/14; B62D 1/02; B62D 1/24; B62D 21/02; B62D 21/06; B62D 21/07; B62D 21/08; B62D 21/09; B62D 21/10; B62D 21/11; B62D 21/12; B62D 21/14; B62D 21/15; B62D 21/16; B62D 21/17; B62D 21/18; B62D 27/02; B62D 27/04; B62D 27/06
See application file for complete search history.

- D367,418 S * 2/1996 Lathrop D12/223
- D414,406 S * 9/1999 Meyer D8/399
- D422,253 S * 4/2000 Boykin D12/179
- D431,802 S * 10/2000 Sintorn D12/159
- D445,077 S * 7/2001 Lovitt, Jr. D12/207
- 6,257,601 B1 * 7/2001 Spears B60G 13/003
280/124.147
- D462,256 S * 9/2002 Jaynes D12/160
- D494,894 S * 8/2004 Carlson D12/160
- D504,363 S * 4/2005 McGaughy D12/160
- D505,098 S * 5/2005 McGaughy D12/160
- D532,684 S * 11/2006 Barnes D8/397
- D548,581 S * 8/2007 Du Rousseau D8/399
- D579,759 S * 11/2008 Strait D8/349
- D619,940 S * 7/2010 Strang D12/159
- D644,721 S * 9/2011 Bond D23/269
- D654,152 S * 2/2012 Schulz D23/260
- D668,187 S * 10/2012 McCoy D12/159
- D696,751 S * 12/2013 Beagen, Jr. D23/269
- D715,901 S * 10/2014 Antonello D23/259

(Continued)

Primary Examiner — Philip S Hyder
Assistant Examiner — Darlington Ly
(74) *Attorney, Agent, or Firm* — Curtis L. Harrington;
Harrington & Harrington

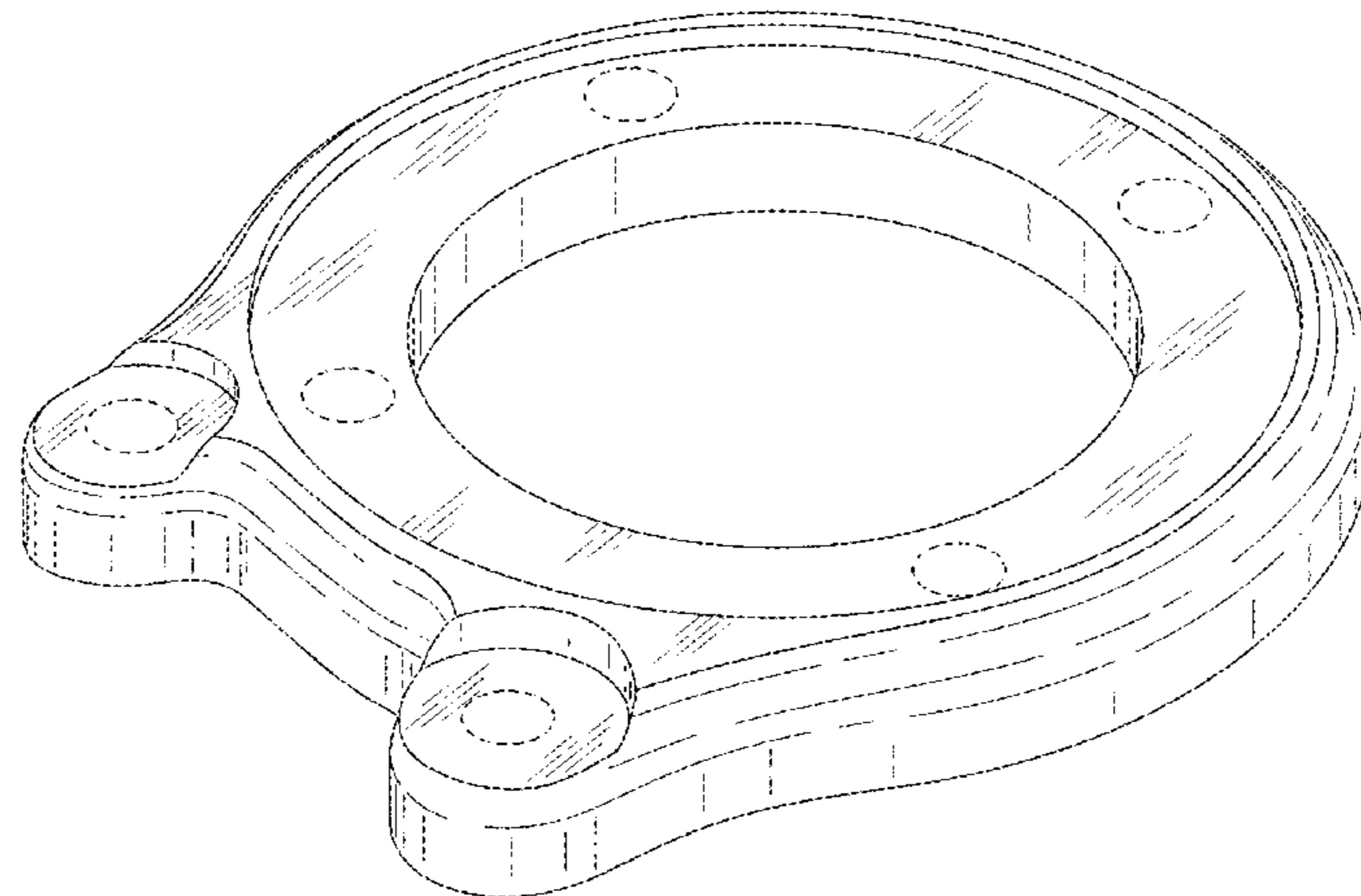
(57) **CLAIM**
The ornamental design for a spindle mounting plate for disc brakes, as shown and described.

DESCRIPTION

FIG. 1 is a front perspective view of the spindle mounting plate for disc brakes;
FIG. 2 is a top plan view thereof;
FIG. 3 is a bottom plan view thereof;
FIG. 4 is a right side elevation view thereof;
FIG. 5 is a left side elevation view thereof;
FIG. 6 is a front elevation view thereof; and,
FIG. 7 is a rear elevation view thereof.
The broken line showing of the six circular apertures is provided for the purpose of illustrating portions of the spindle mounting plate for disc brakes and forms no part of the claimed design.

1 Claim, 3 Drawing Sheets

- (56) **References Cited**
U.S. PATENT DOCUMENTS
4,953,889 A * 9/1990 Reilly B62D 17/00
180/254
D330,356 S * 10/1992 Tapio D12/159
D358,119 S * 5/1995 Winter D12/160



US D747,245 S

Page 2

(56)

References Cited

U.S. PATENT DOCUMENTS

D729,355 S *	5/2015	Kieper	D23/262
D731,368 S *	6/2015	Miller	D12/159
D737,406 S *	8/2015	Waggoner	D23/233
D719,493 S *	12/2014	Mochinaga	D12/160

* cited by examiner

Fig. 1

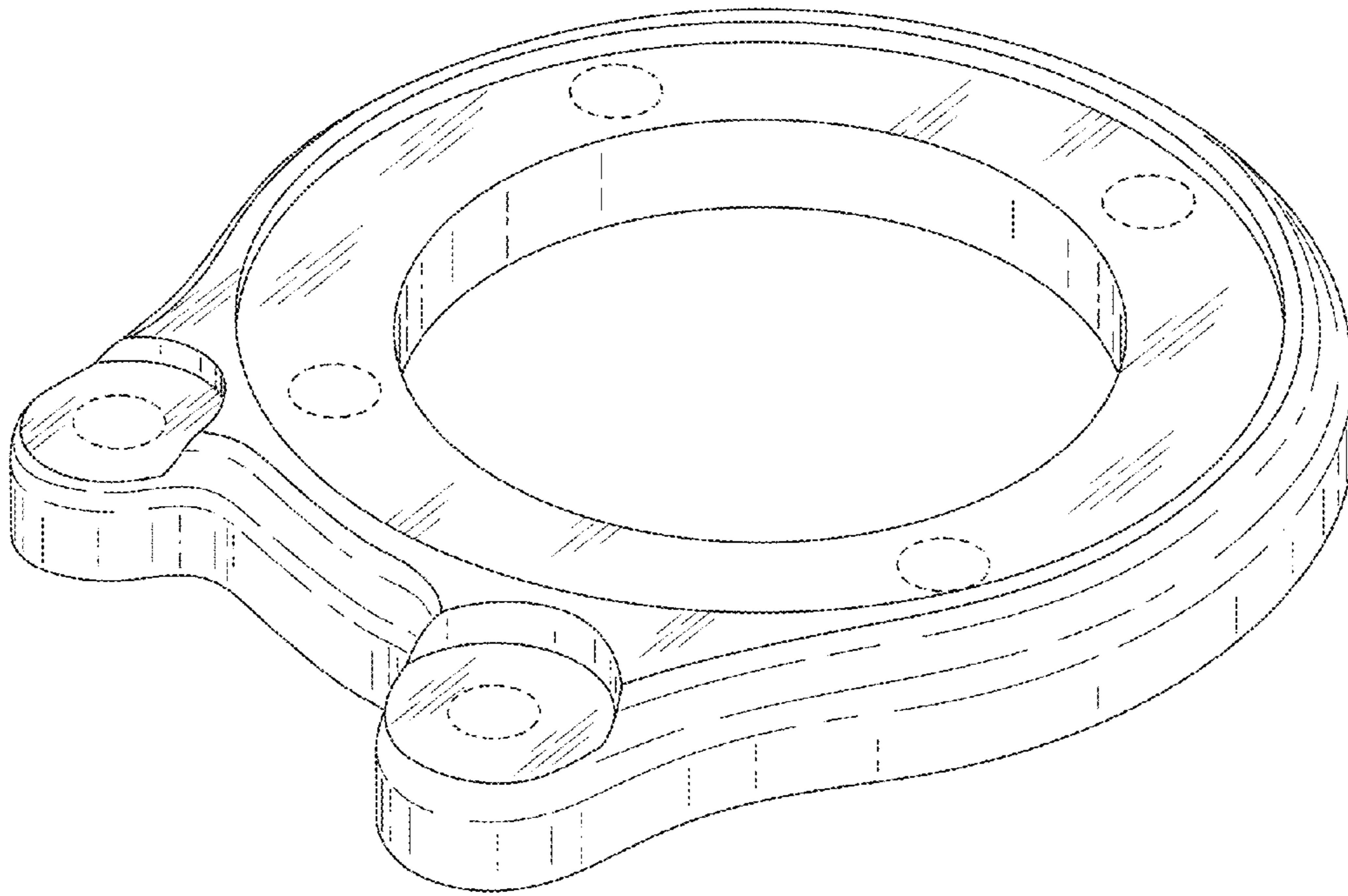


Fig. 2



Fig. 3

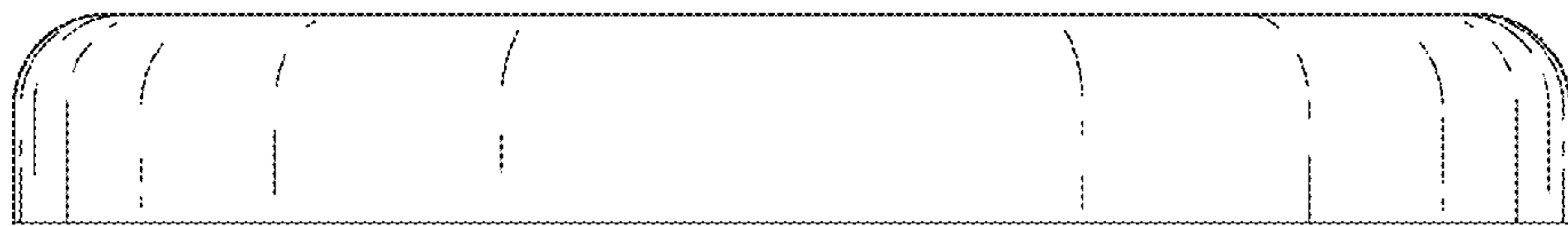


Fig. 4



Fig. 5

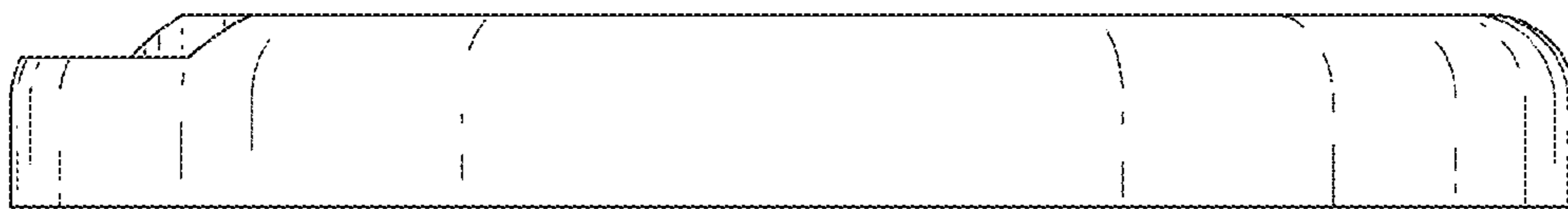


Fig. 6

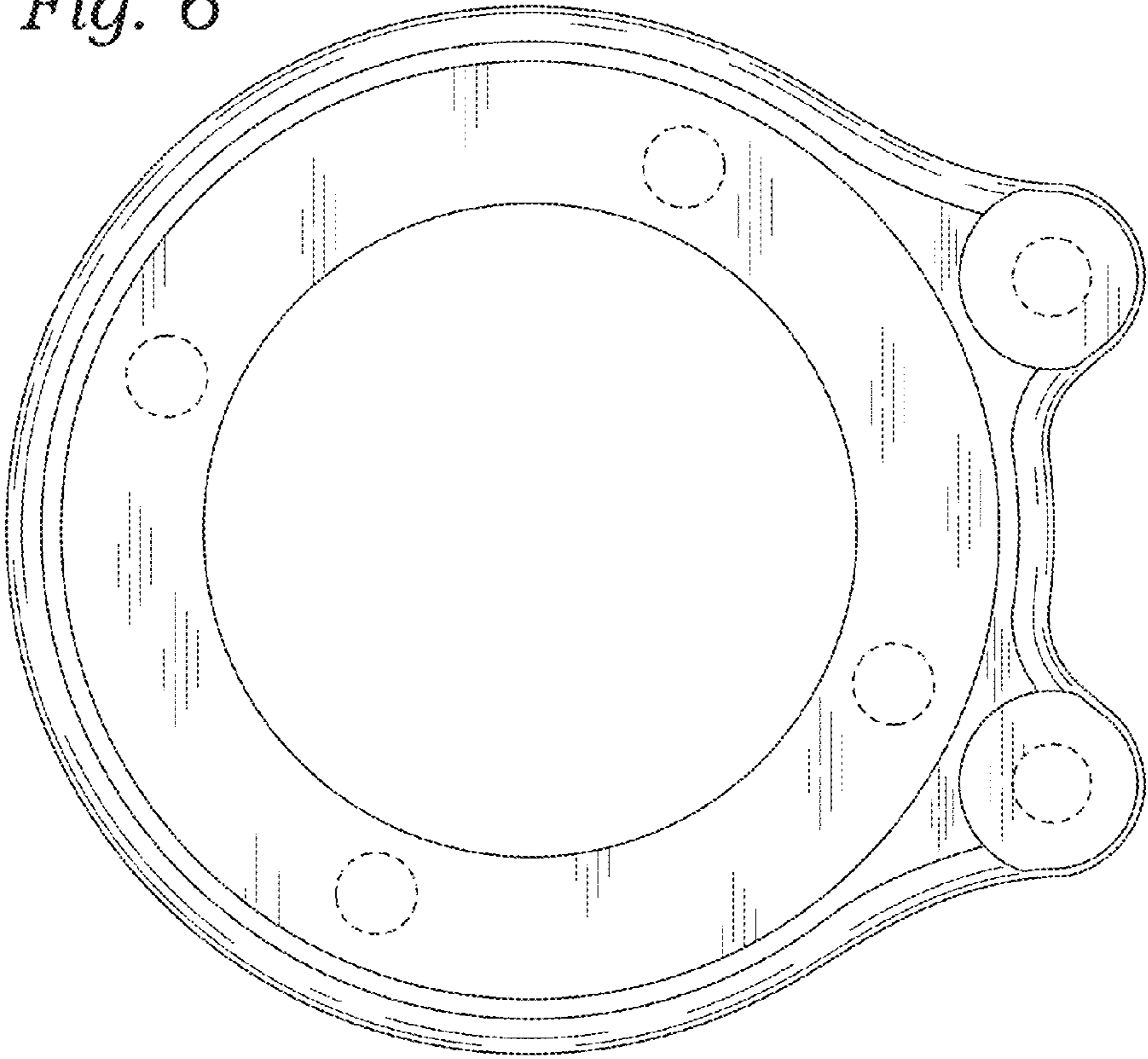


Fig. 7

