



US00D747244S

(12) **United States Design Patent**  
**Nosworthy**

(10) **Patent No.:** **US D747,244 S**  
(45) **Date of Patent:** **\*\* Jan. 12, 2016**

(54) **DISC BRAKE ROTOR**

(71) Applicant: **Dennis Michael Nosworthy**, Cote De Caza, CA (US)

(72) Inventor: **Dennis Michael Nosworthy**, Cote De Caza, CA (US)

(\*\*) Term: **14 Years**

(21) Appl. No.: **29/496,852**

(22) Filed: **Jul. 17, 2014**

(51) **LOC (10) Cl.** ..... **12-16**

(52) **U.S. Cl.**  
USPC ..... **D12/180**

(58) **Field of Classification Search**  
USPC ..... D12/180; 188/412, 413, 415, 416;  
192/324, 328, 333  
CPC ..... F16D 65/12; F16D 65/123  
See application file for complete search history.

(56) **References Cited**

**U.S. PATENT DOCUMENTS**

4,930,606	A *	6/1990	Sporzynski	.....	F16D 65/123 188/218 XL
6,422,358	B2 *	7/2002	Deibel	.....	188/218 XL
D465,179	S *	11/2002	Ballinger	.....	D12/180
D482,643	S *	11/2003	Gavin	.....	D12/180
D484,836	S *	1/2004	Gavin	.....	D12/180
D603,314	S *	11/2009	Schmitz	.....	D12/180
D605,099	S *	12/2009	Schmitz	.....	D12/180
D605,570	S *	12/2009	Schmitz	.....	D12/180
D607,795	S *	1/2010	Schmitz	.....	D12/180
D607,796	S *	1/2010	Schmitz	.....	D12/180
D608,706	S *	1/2010	Schmitz	.....	D12/180
D609,147	S *	2/2010	Schmitz	.....	D12/180
D609,148	S *	2/2010	Schmitz	.....	D12/180
D619,521	S *	7/2010	Schmitz	.....	D12/180
D624,472	S *	9/2010	Schmitz	.....	D12/180

D640,620	S *	6/2011	Bielis, IV	.....	D12/180
D640,621	S *	6/2011	Schmitz	.....	D12/180
D640,622	S *	6/2011	Schmitz	.....	D12/180
D640,960	S *	7/2011	Schmitz	.....	D12/180
D690,634	S *	10/2013	Joseph	.....	188/18 A
D691,528	S *	10/2013	Joseph	.....	D12/180
2004/0188196	A1 *	9/2004	Gavin	.....	F16D 65/12 188/218 XL
2006/0086579	A1 *	4/2006	Gerber	.....	F16D 65/12 188/219 XL
2007/0199778	A1 *	8/2007	Lee	.....	F16D 65/12 188/218 XL
2009/0314591	A1 *	12/2009	Suppiah	.....	F16D 65/128 188/218 XL
2014/0158486	A1 *	6/2014	Schorn	.....	F16D 65/12 188/218 XL

\* cited by examiner

*Primary Examiner* — Philip S Hyder

*Assistant Examiner* — Darlington Ly

(74) *Attorney, Agent, or Firm* — Curtis L. Harrington; Harrington & Harrington

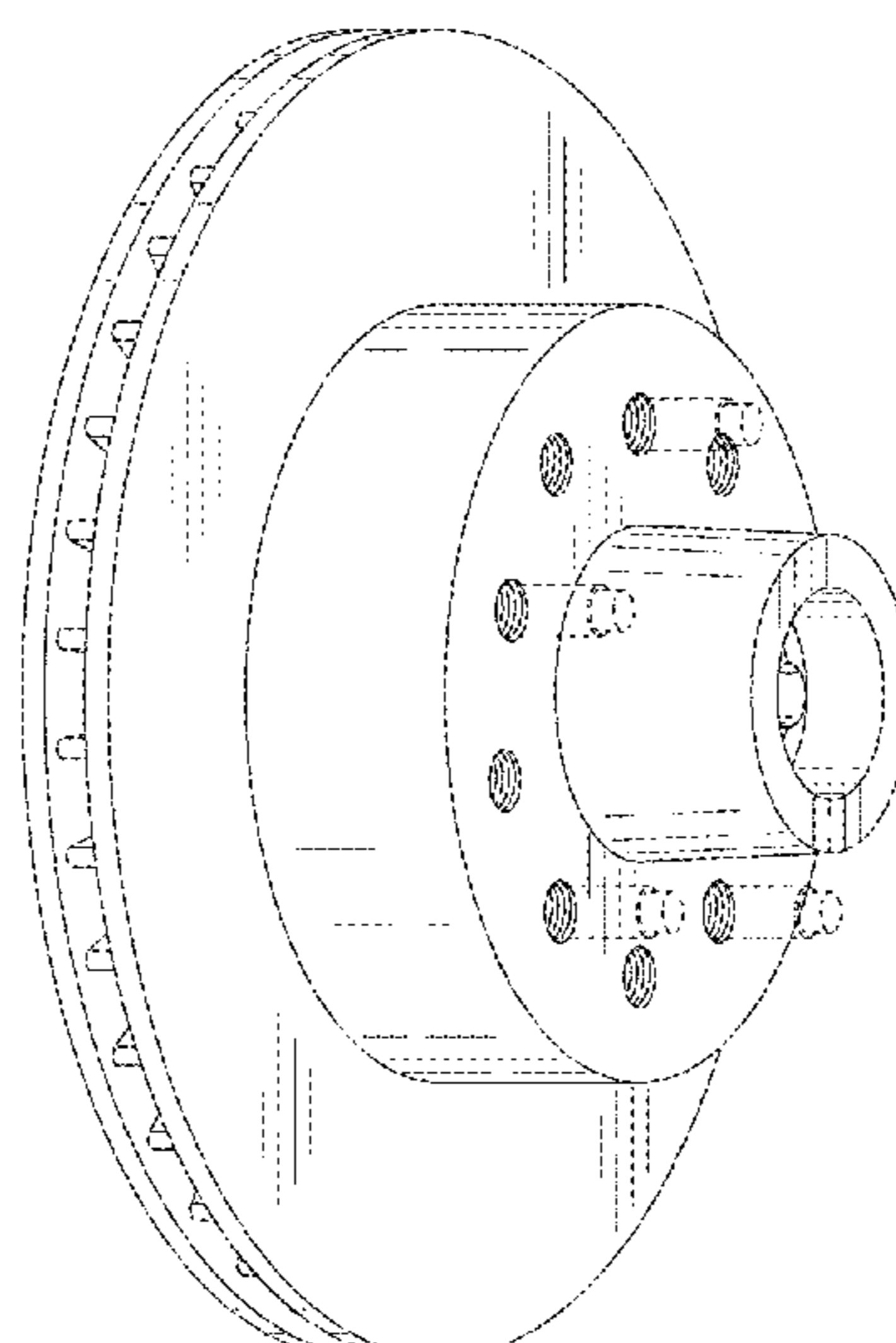
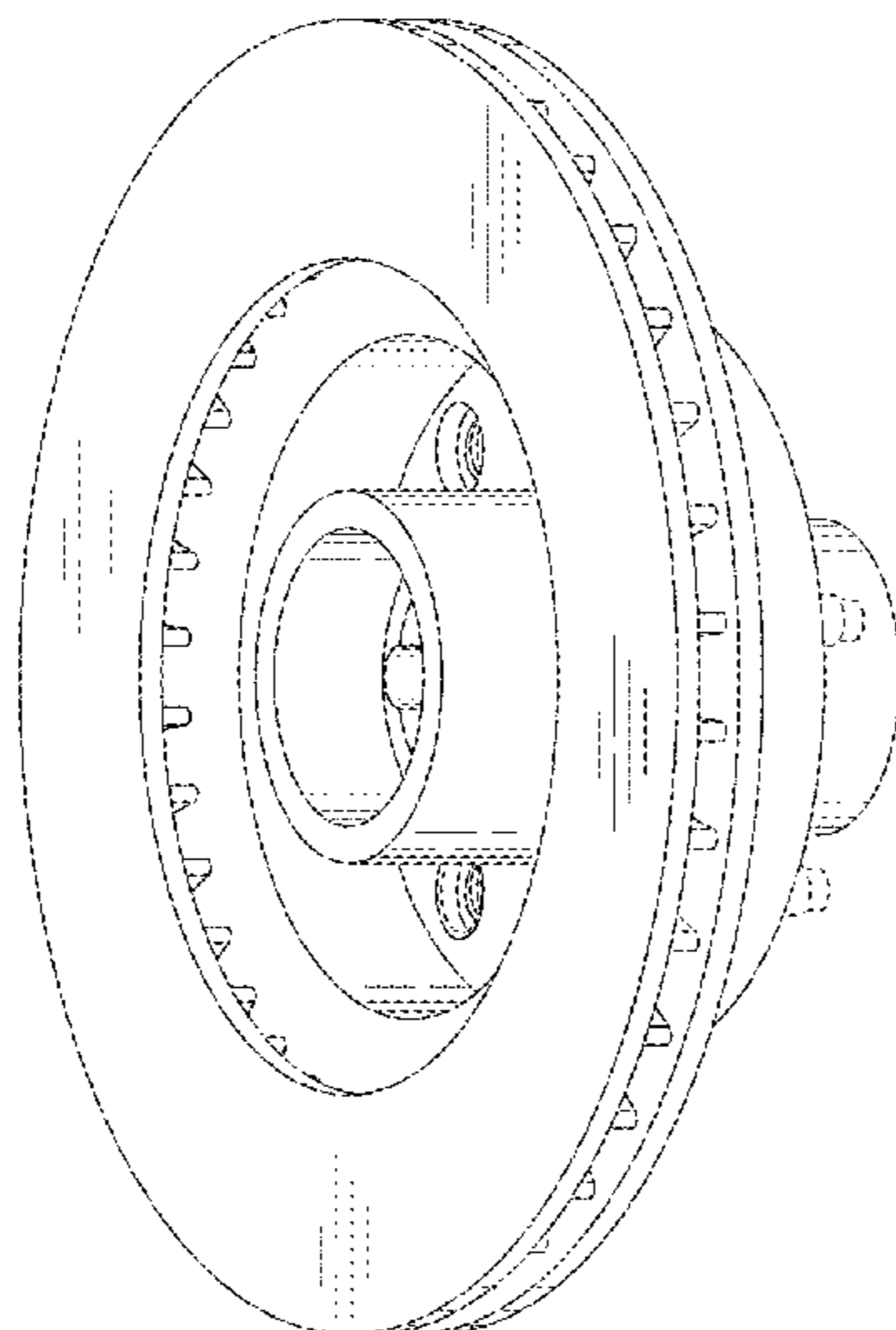
(57) **CLAIM**

The ornamental design for a disc brake rotor, as shown and described.

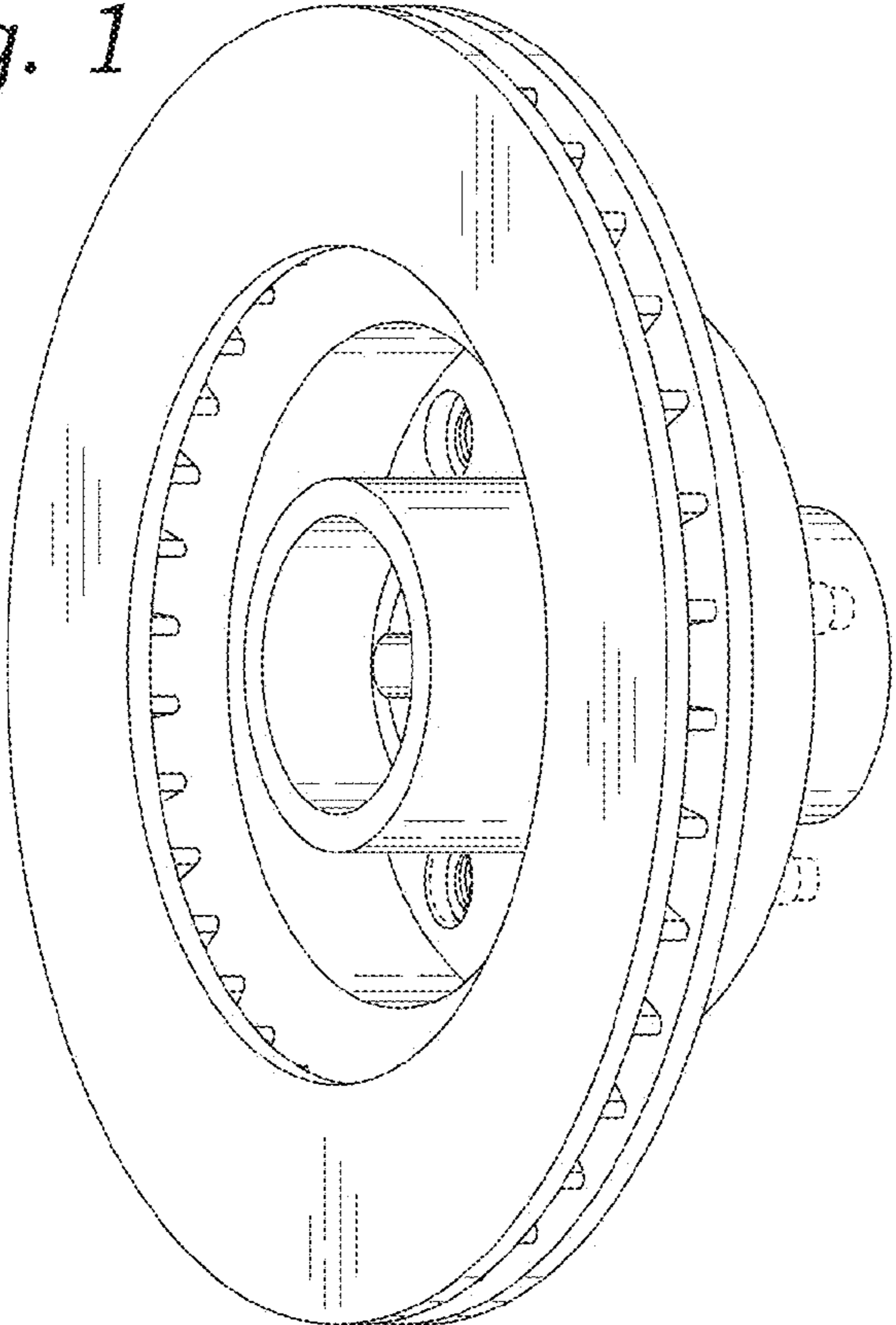
**DESCRIPTION**

FIG. 1 is a rear perspective view of the disc brake rotor; FIG. 2 is a front perspective view thereof; FIG. 3 is a left side elevation view thereof; the right side elevation view is identical thereto; FIG. 4 is a front plan view thereof; FIG. 5 is a rear plan view thereof; and, FIG. 6 is a cross-sectional view taken along line 6-6 in FIG. 4. The broken line showing of the five wheel studs is provided for the purpose of illustrating environmental structure and forms no part of the claimed design.

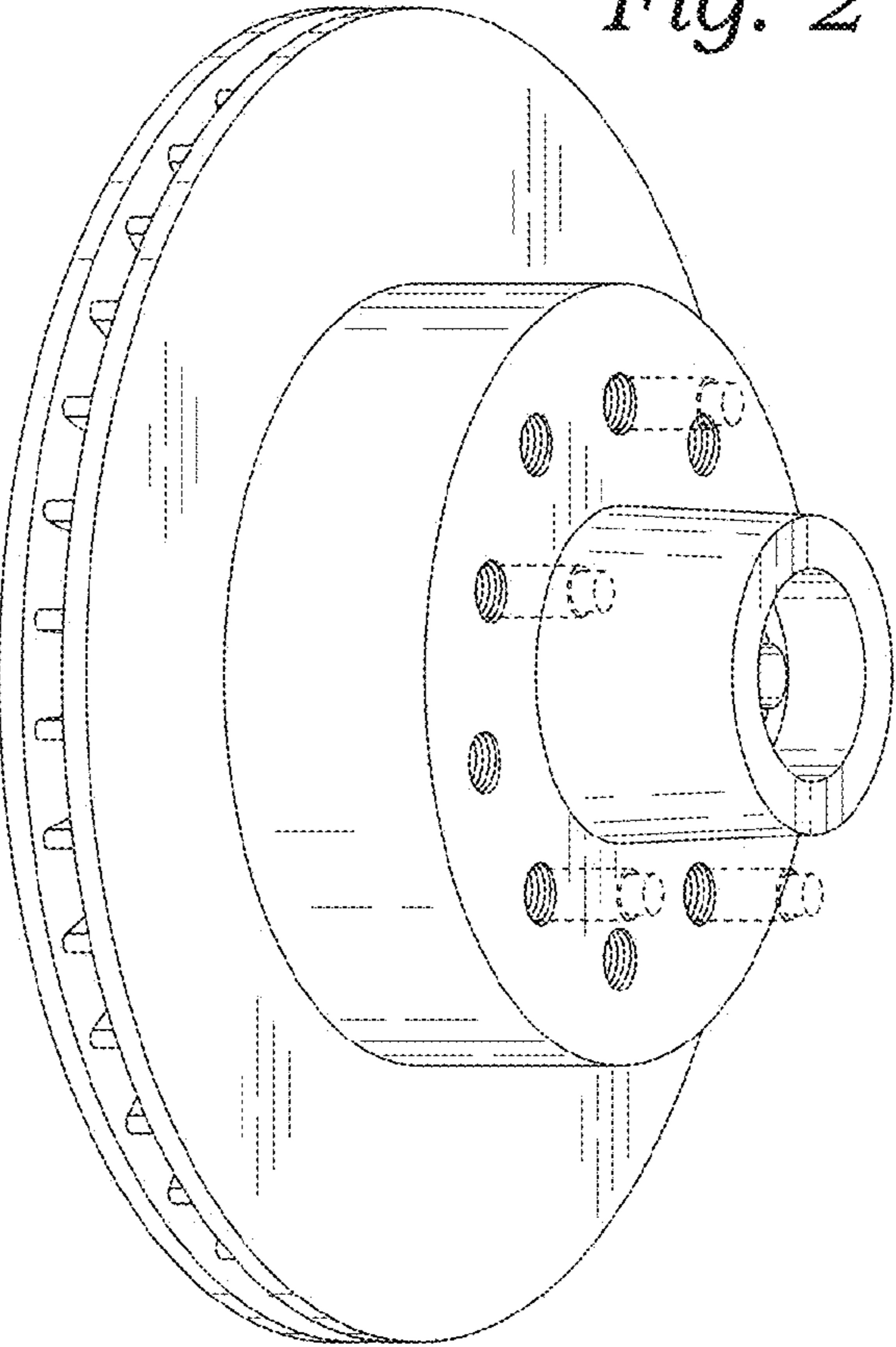
**1 Claim, 3 Drawing Sheets**



*Fig. 1*



*Fig. 2*



*Fig. 3*

