



US00D747240S

(12) **United States Design Patent**
Myers et al.

(10) **Patent No.:** **US D747,240 S**
(45) **Date of Patent:** **** Jan. 12, 2016**

(54) **BENT TUBE QUICK HITCH**

(71) Applicant: **Great Plains Manufacturing, Inc.**,
Salina, KS (US)

(72) Inventors: **Kevin L. Myers**, Salina, KS (US); **Mike
Brull**, Salina, KS (US)

(73) Assignee: **Great Plains Manufacturing, Inc.**,
Salina, KS (US)

(**) Term: **14 Years**

(21) Appl. No.: **29/495,632**

(22) Filed: **Jul. 2, 2014**

(51) **LOC (10) Cl.** **12-16**

(52) **U.S. Cl.**
USPC **D12/162**

(58) **Field of Classification Search**
USPC D12/162, 159, 160, 161
CPC B60D 1/065; B60D 1/00; B60D 1/60;
B60D 1/06

See application file for complete search history.

(56) **References Cited**

U.S. PATENT DOCUMENTS

D526,602 S *	8/2006	Sparkes	D12/162
D569,770 S *	5/2008	Biery, Jr.	D12/162
D570,257 S *	6/2008	VanderBurgh	D12/162
D572,634 S *	7/2008	Kotschessa	D12/162
D576,085 S *	9/2008	Devlin	D12/162
D612,773 S *	3/2010	Merchant	D12/162
D653,177 S *	1/2012	Smith	D12/162
D692,802 S *	11/2013	Tollenaere	D12/162
D706,178 S *	6/2014	Shirk, Jr.	D12/162
D706,179 S *	6/2014	Pochurek	D12/162

* cited by examiner

Primary Examiner — Katrina A Betton

(74) *Attorney, Agent, or Firm* — Hovey Williams LLP

(57) **CLAIM**

The ornamental design for a bent tube quick hitch, as shown and described.

DESCRIPTION

FIG. 1 is a top left front perspective view of a bent tube quick hitch embodying our new design;

FIG. 2 is a bottom left rear perspective view of the bent tube quick hitch of FIG. 1;

FIG. 3 is a front elevational view of the bent tube quick hitch of FIGS. 1-2;

FIG. 4 is a rear elevational view of the bent tube quick hitch of FIGS. 1-3;

FIG. 5 is a top plan view of the bent tube quick hitch of FIGS. 1-4;

FIG. 6 is a bottom plan view of the bent tube quick hitch of FIGS. 1-5;

FIG. 7 is a right side elevational view of the bent tube quick hitch of FIGS. 1-6;

FIG. 8 is a left side elevational view of the bent tube quick hitch of FIGS. 1-7;

FIG. 9 is a top left front perspective view of a bent tube quick hitch embodying our new design;

FIG. 10 is a bottom left rear perspective view of the bent tube quick hitch of FIG. 9;

FIG. 11 is a front elevational view of the bent tube quick hitch of FIGS. 9-10;

FIG. 12 is a rear elevational view of the bent tube quick hitch of FIGS. 9-11;

FIG. 13 is a top plan view of the bent tube quick hitch of FIGS. 9-12;

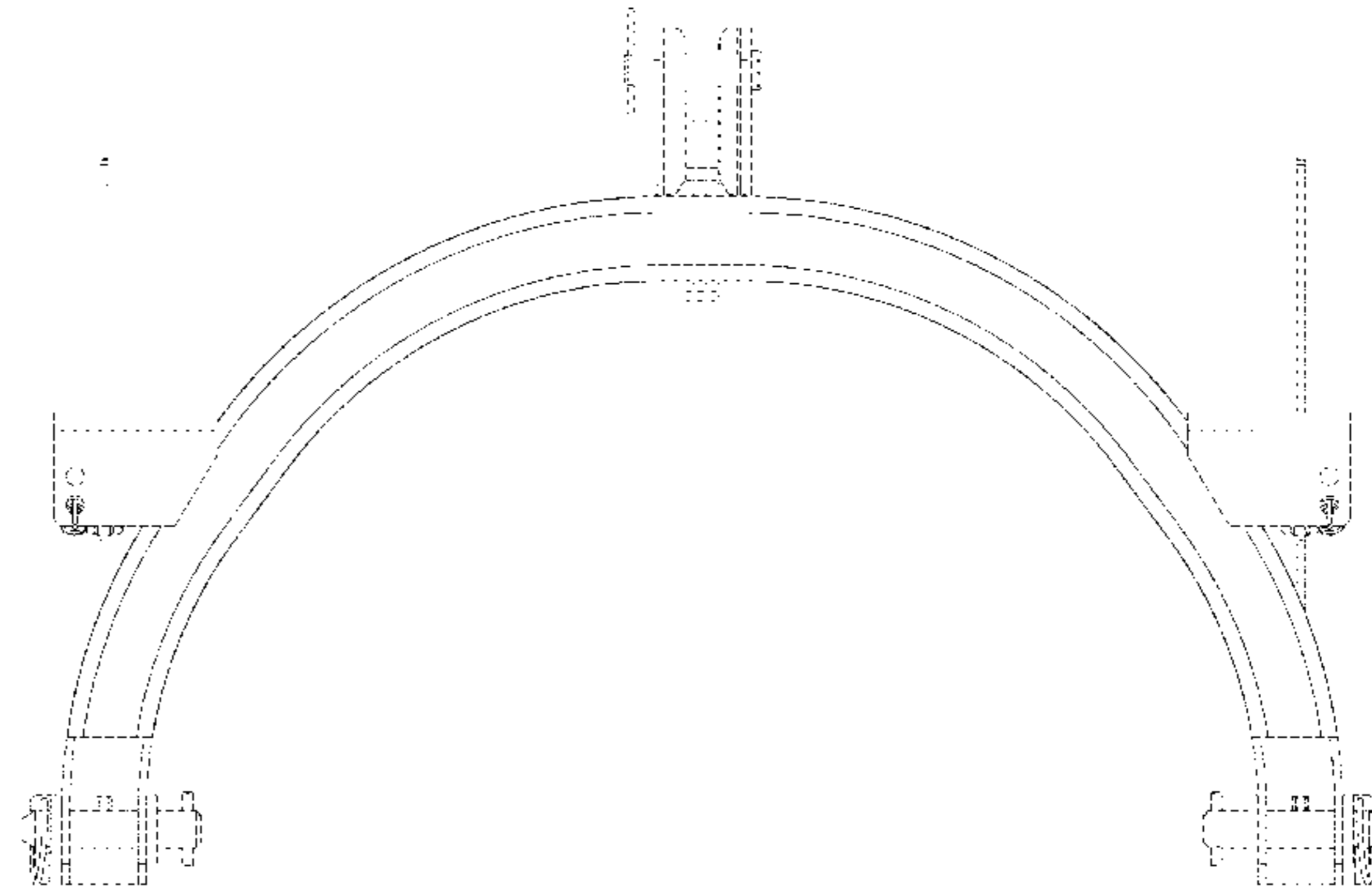
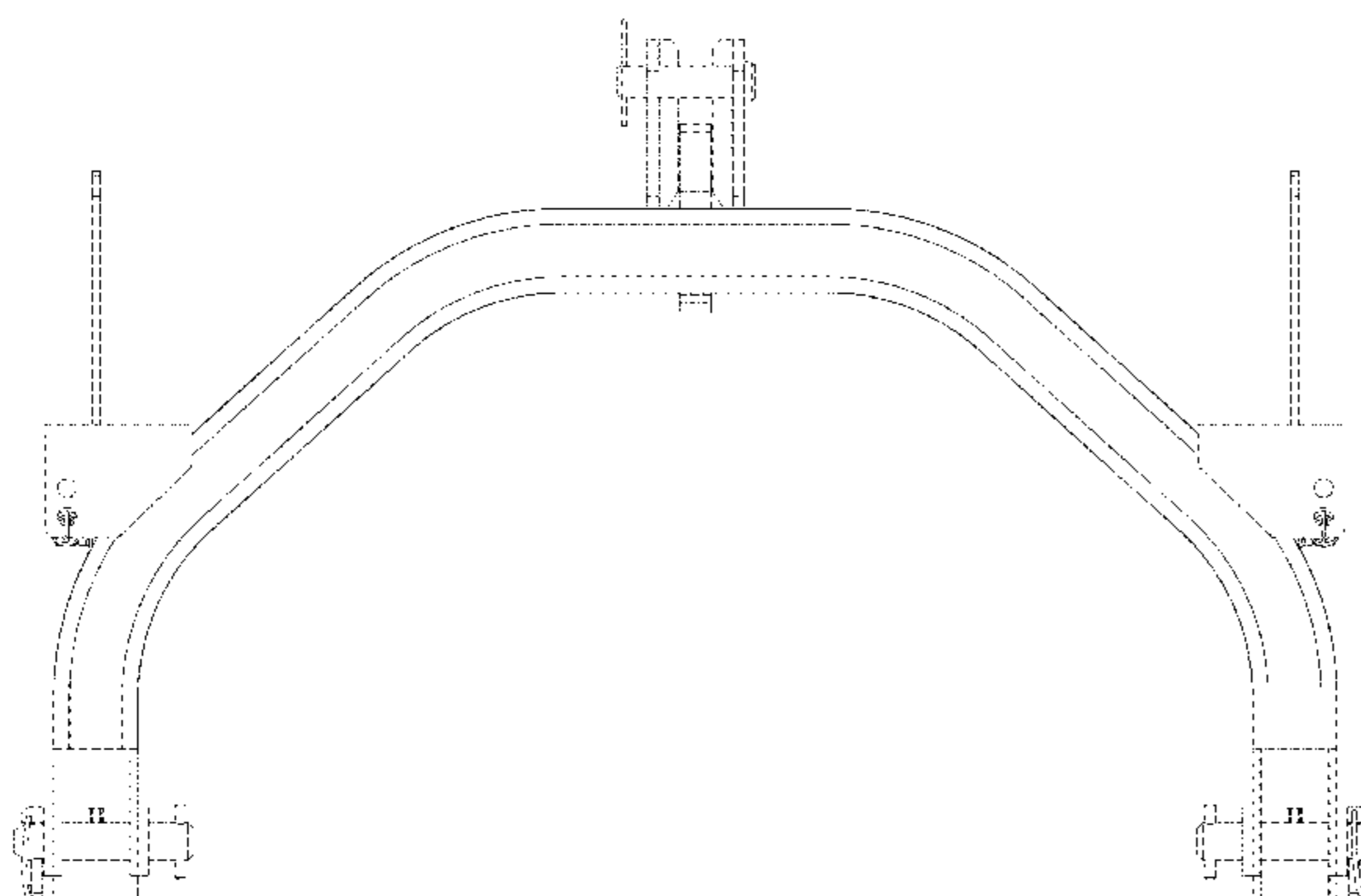
FIG. 14 is a bottom plan view of the bent tube quick hitch of FIGS. 9-13;

FIG. 15 is a right side elevational view of the bent tube quick hitch of FIGS. 9-14; and,

FIG. 16 is a left side elevational view of the bent tube quick hitch of FIGS. 9-15.

The broken lines shown in the drawings illustrate portions of the bent tube quick hitch that form no part of the claimed design.

1 Claim, 12 Drawing Sheets



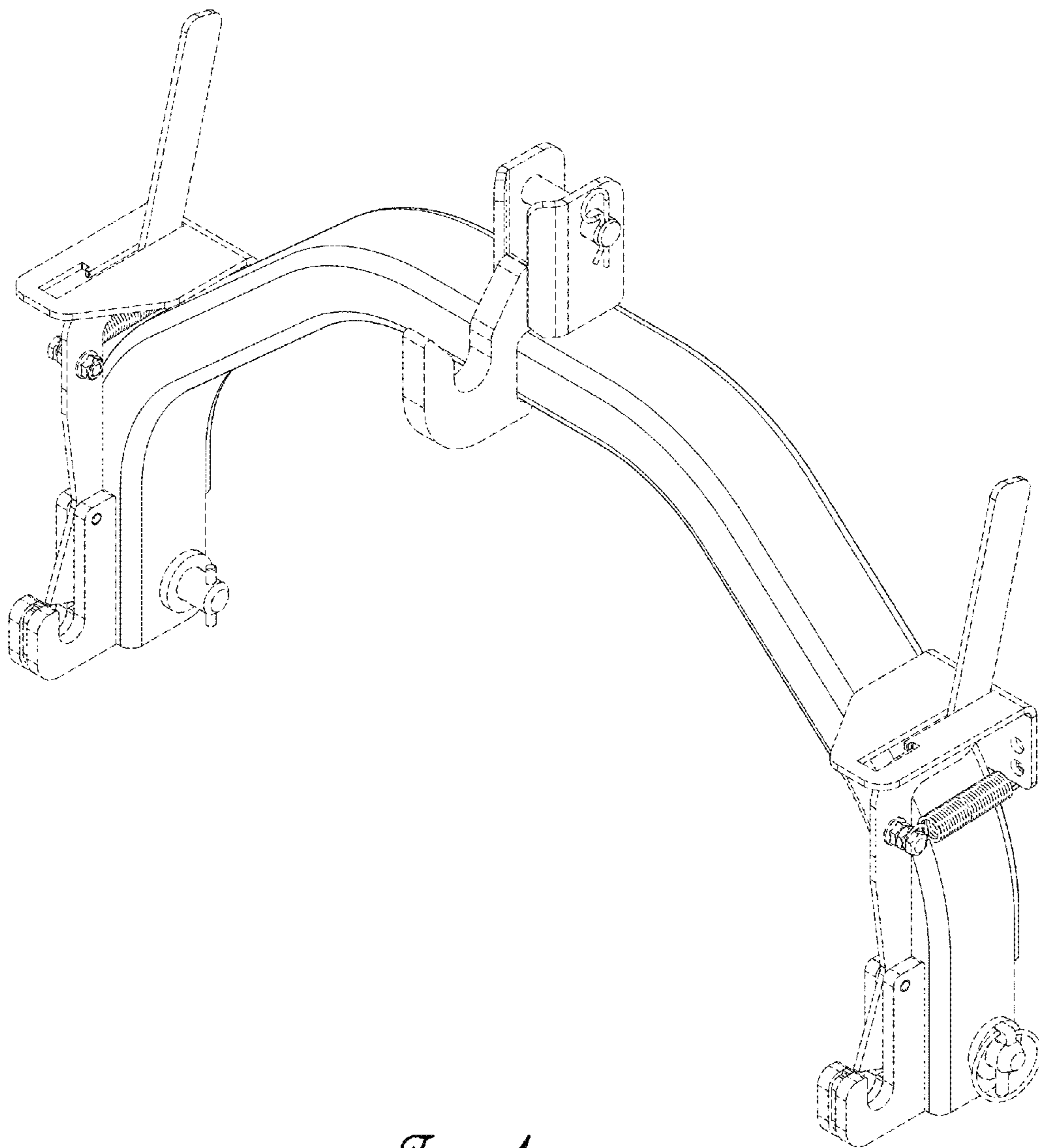


Fig. 1.

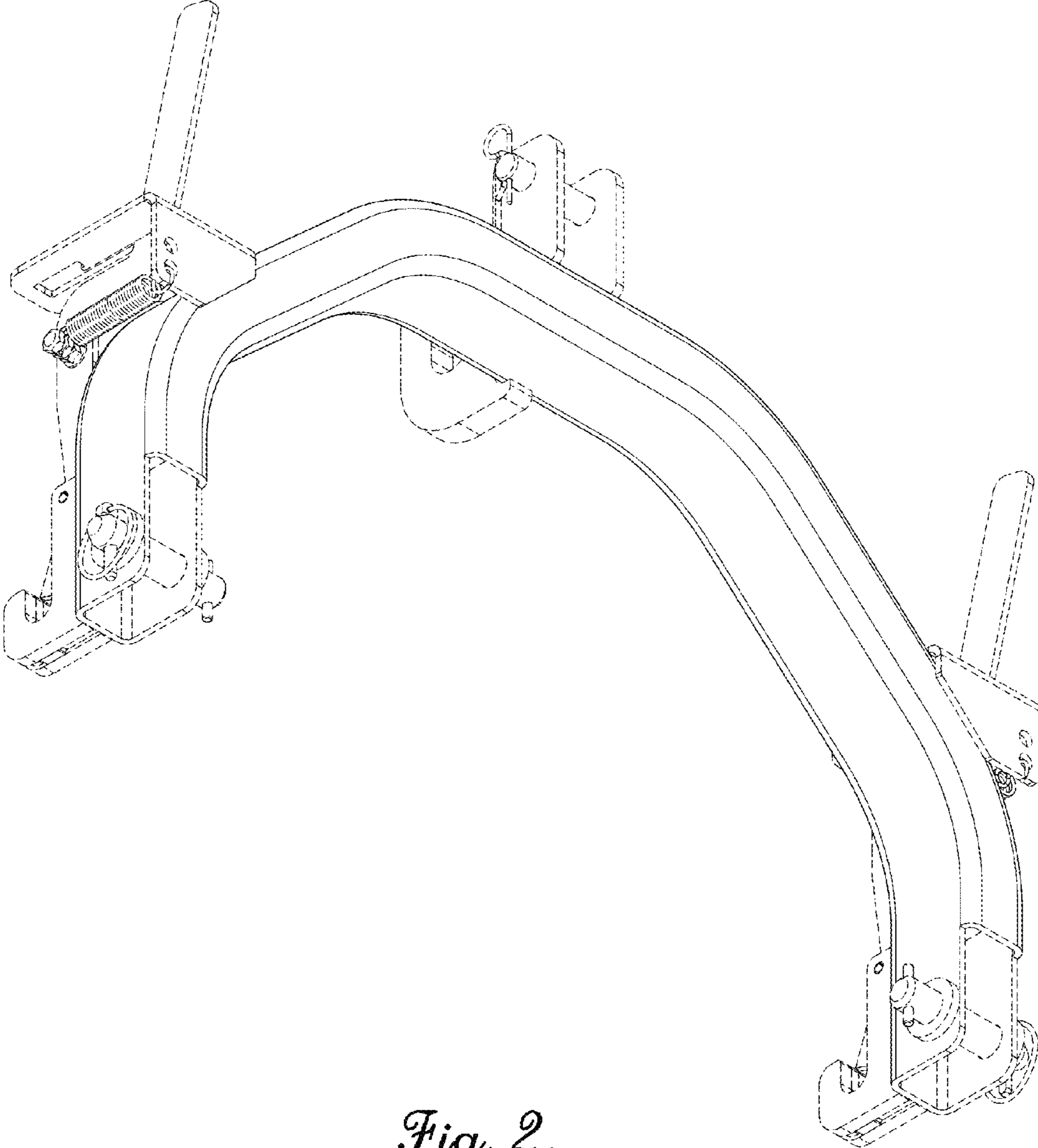


Fig. 2.

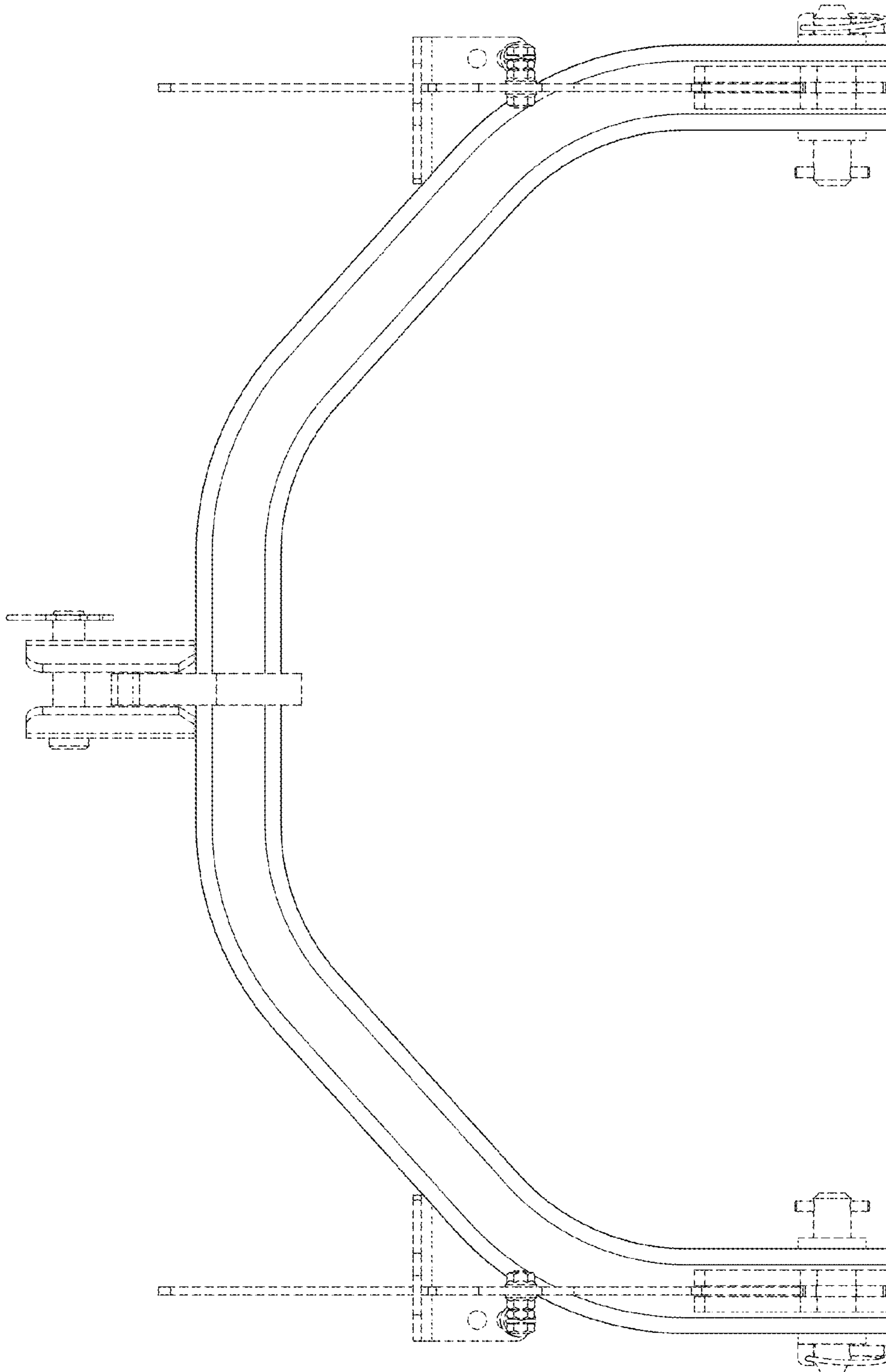


Fig. 3.

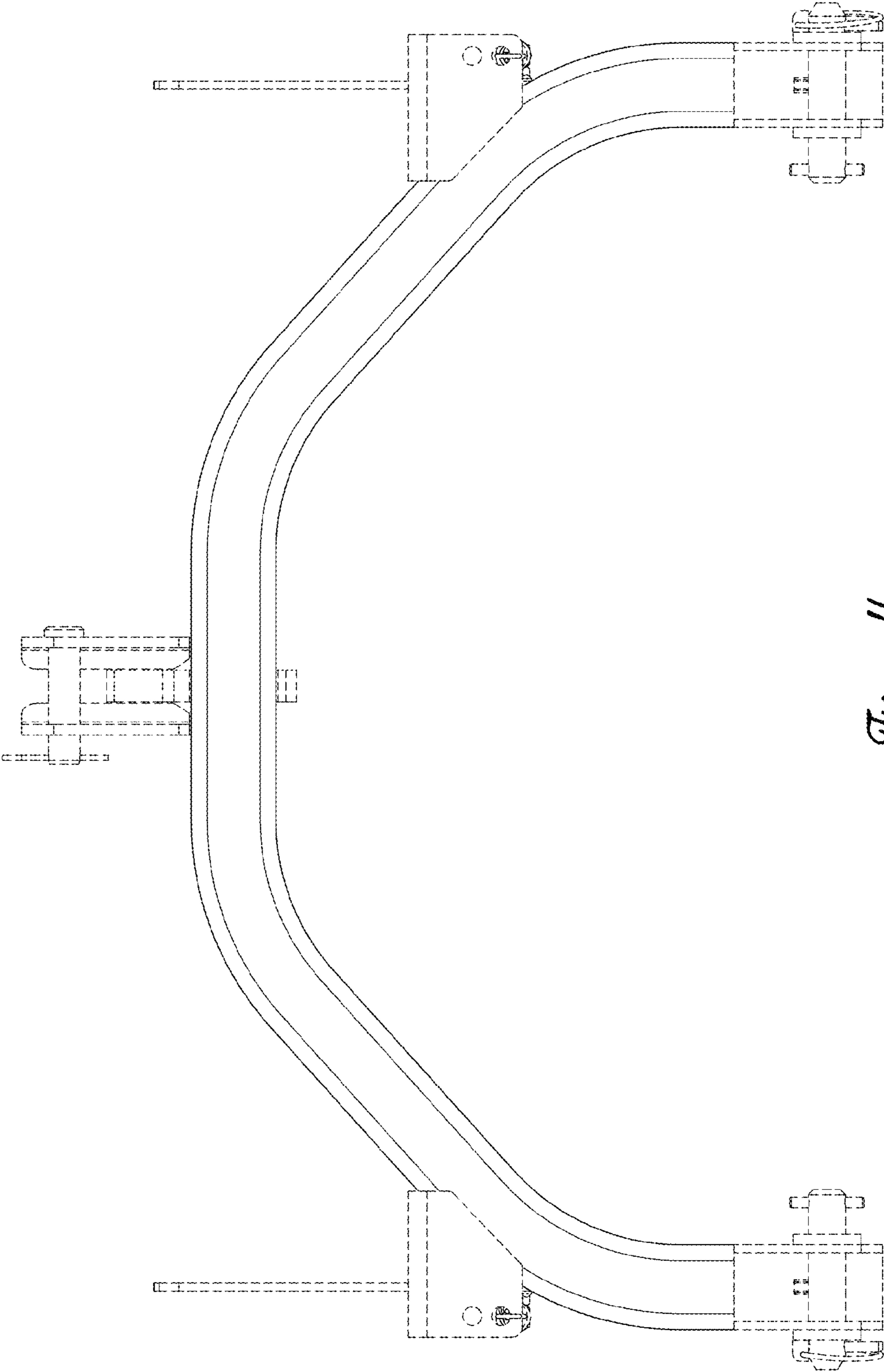


Fig. 4.

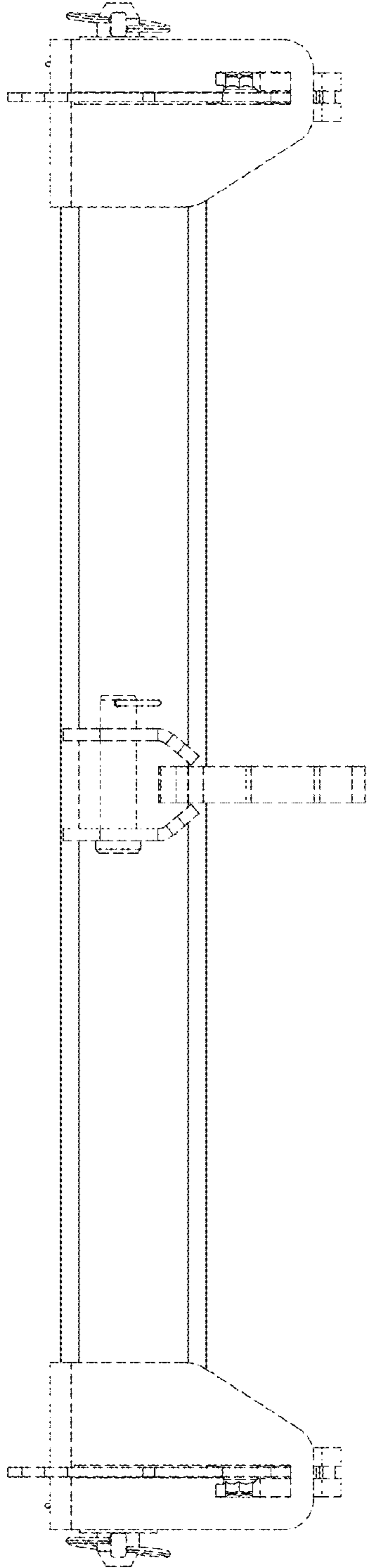


Fig. 5.

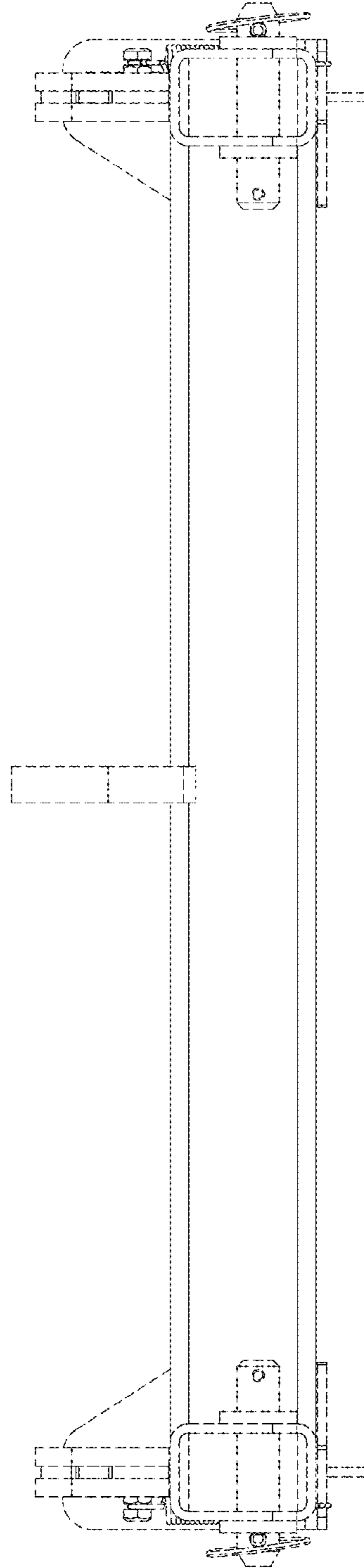


Fig. 6.

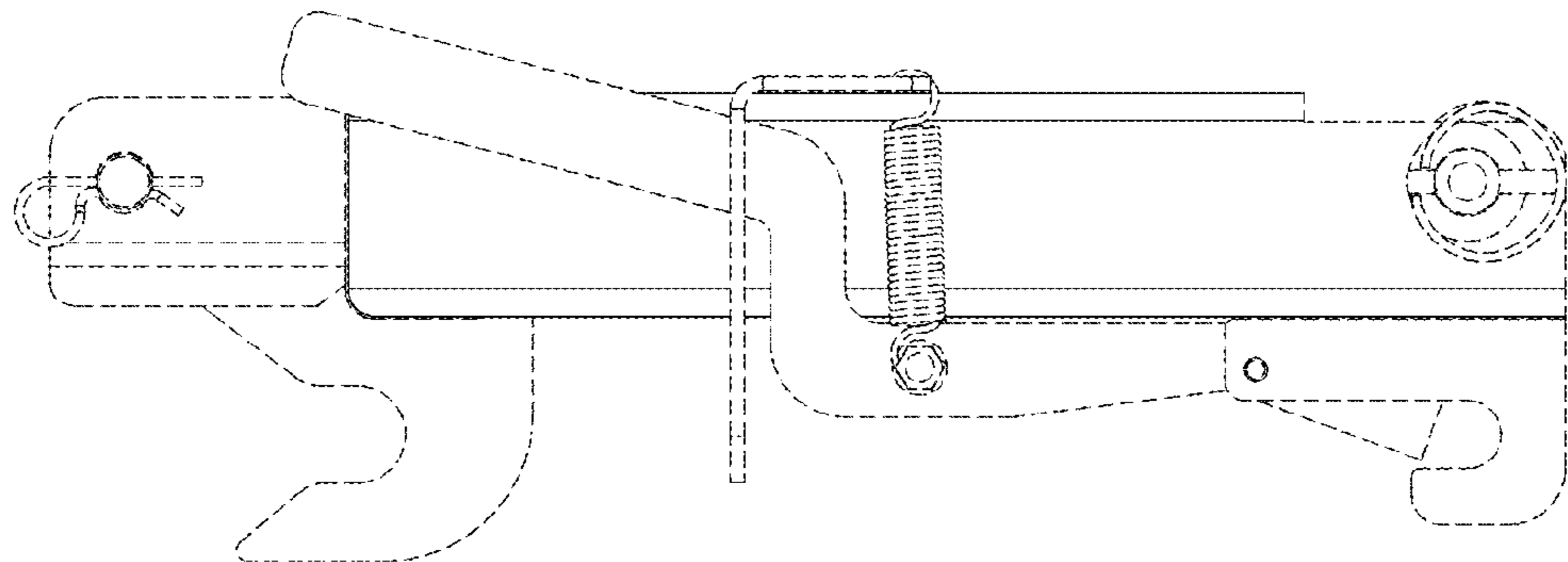


Fig. 8.

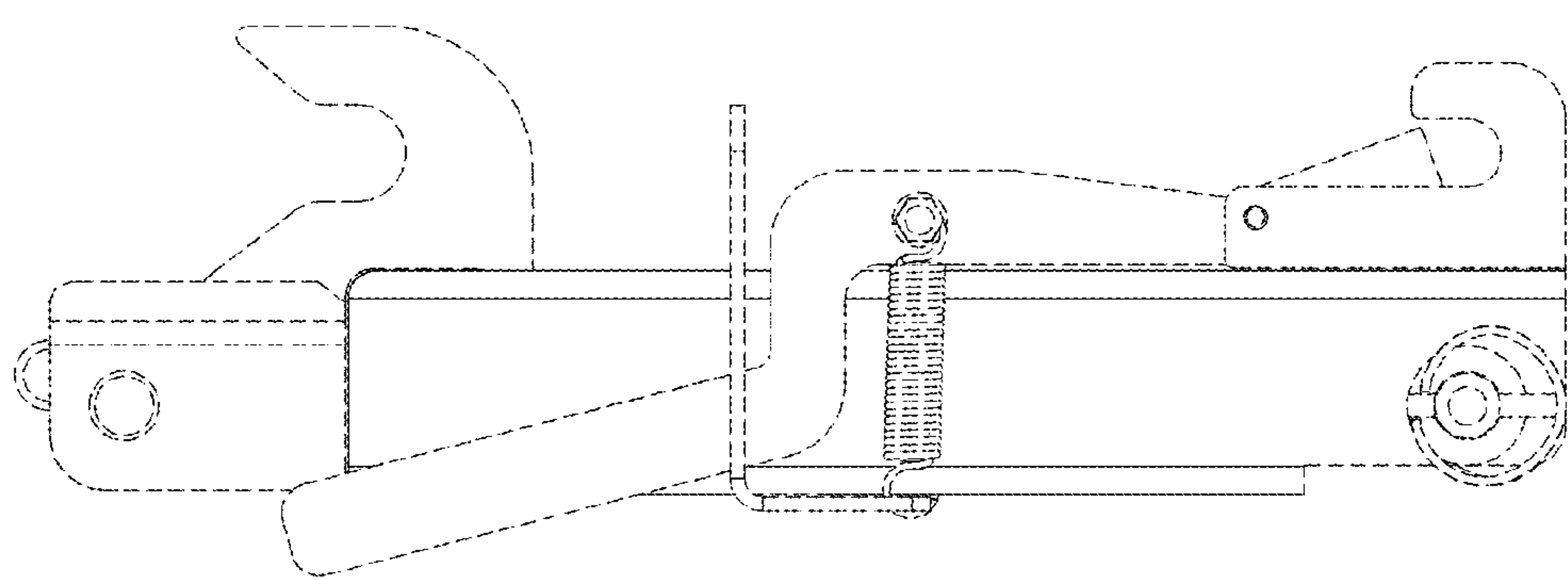


Fig. 7.

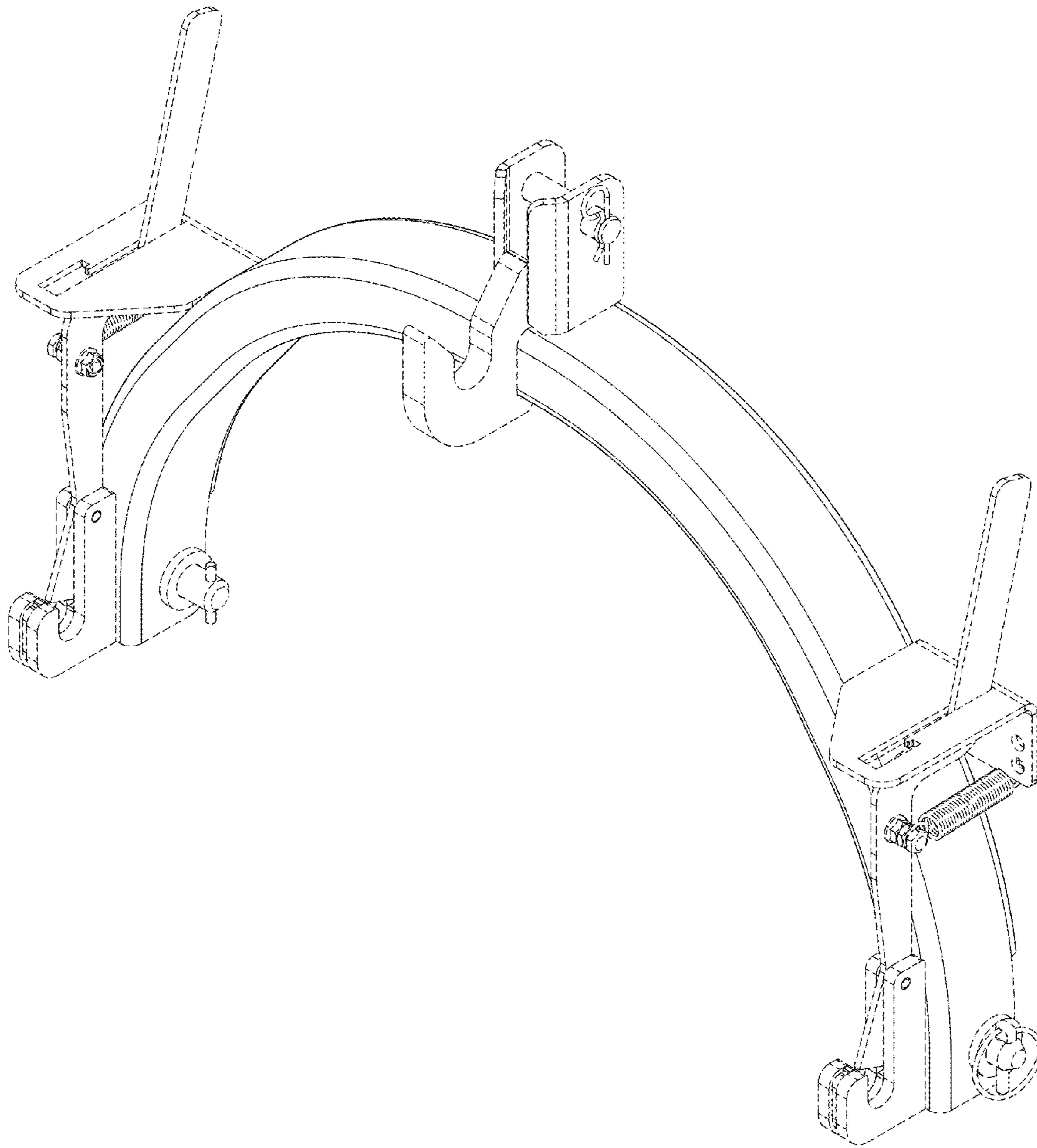


Fig. 9.

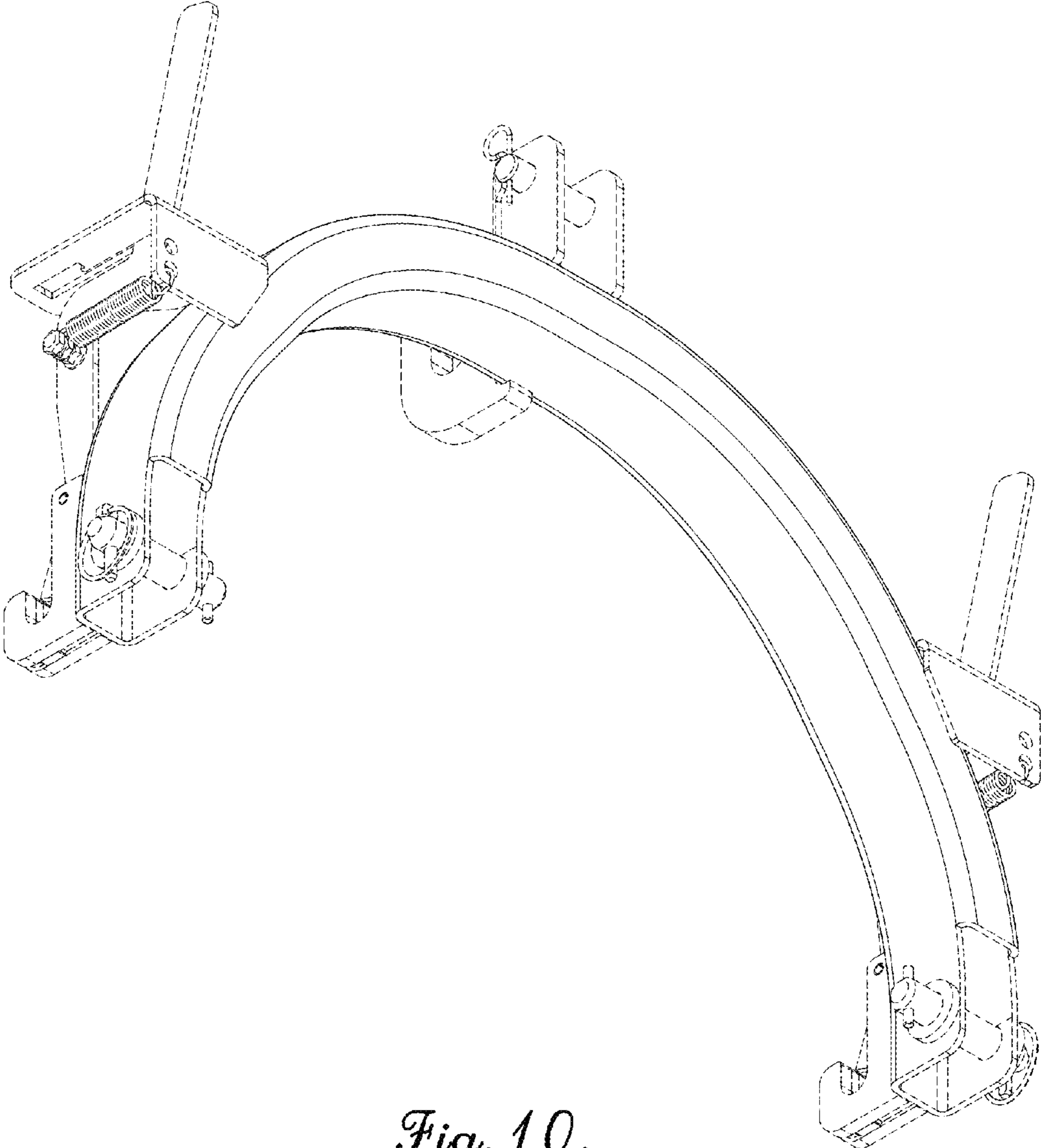


Fig. 10.

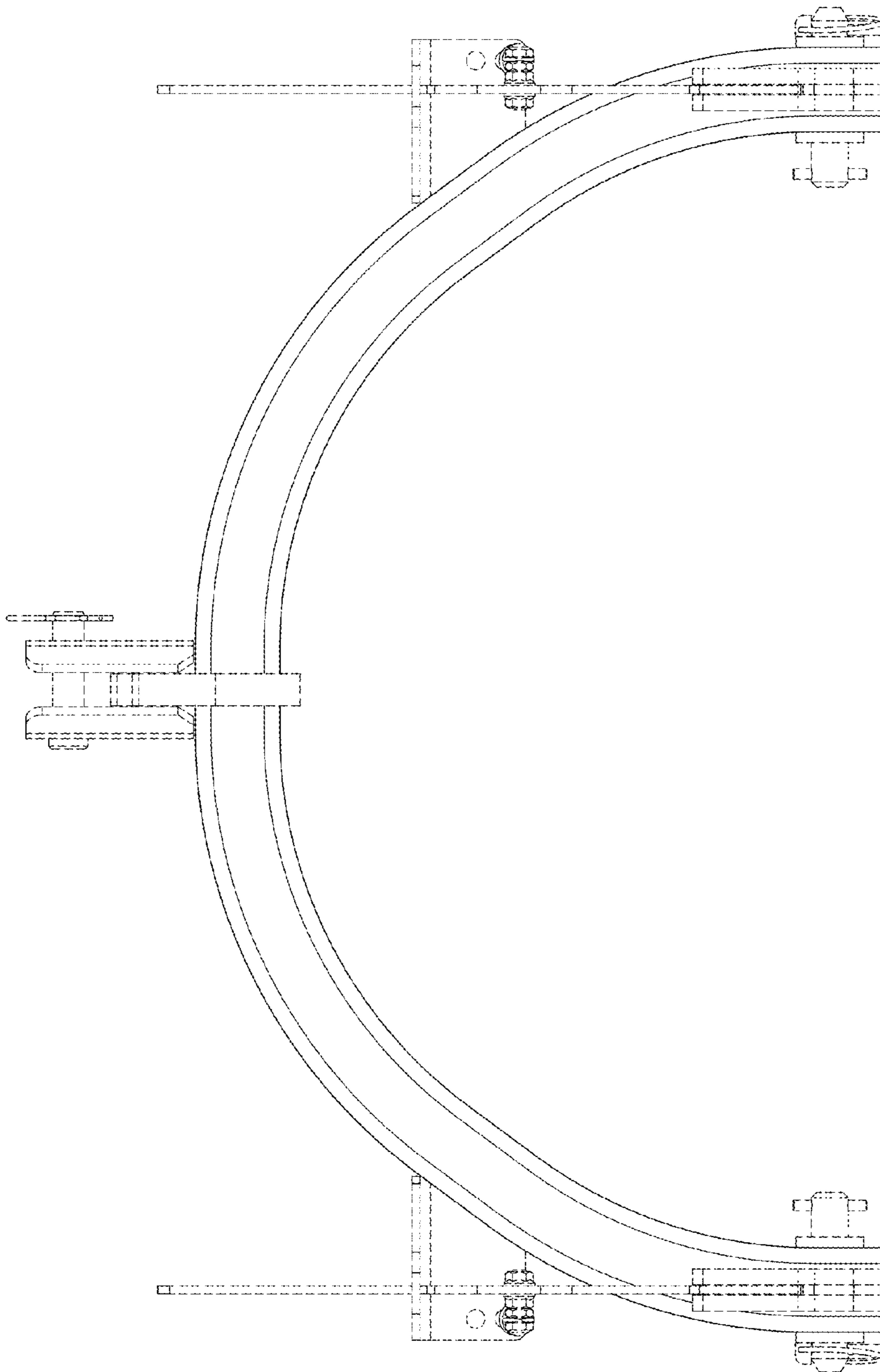


Fig. 11.

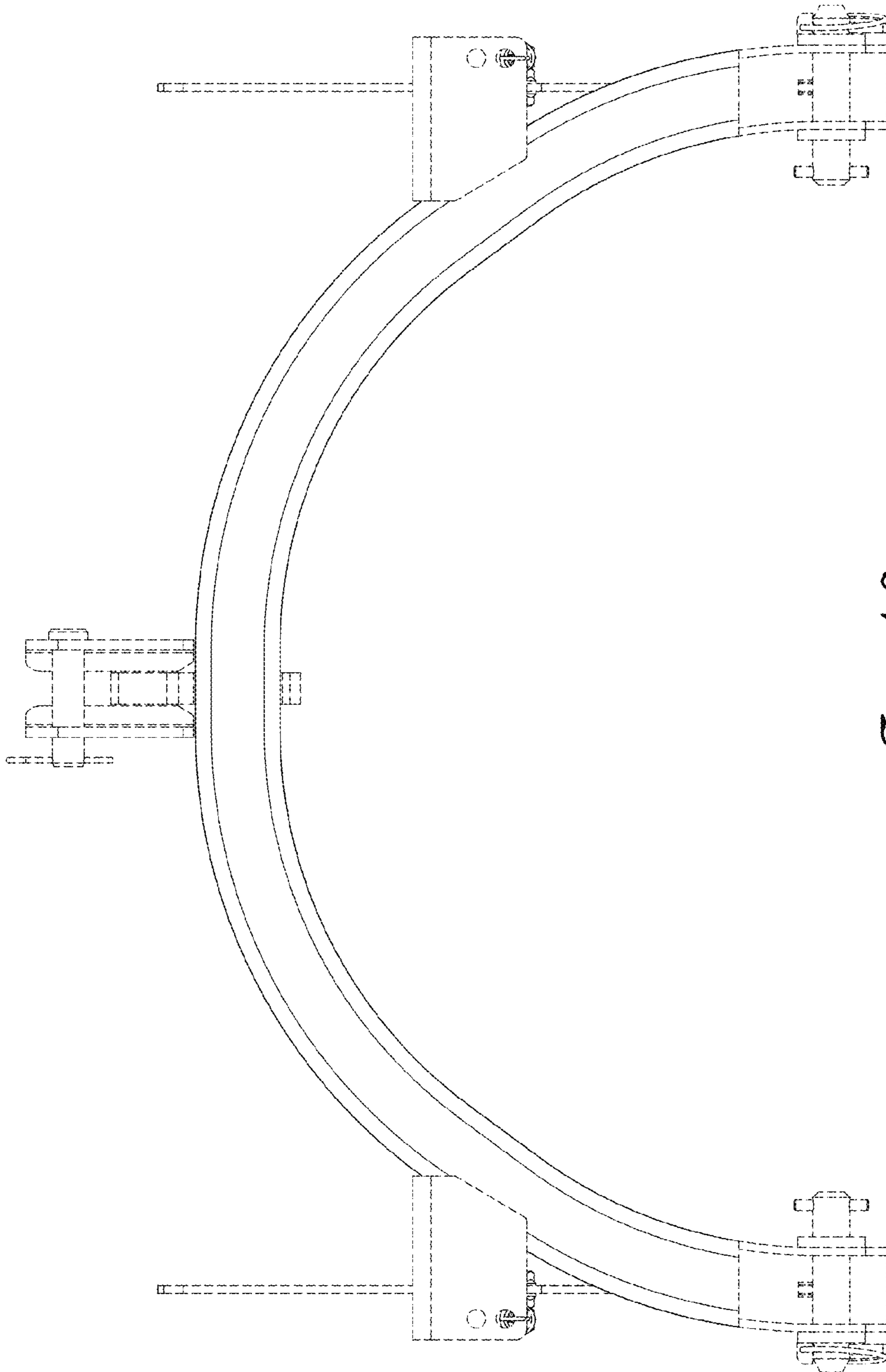


Fig. 12.

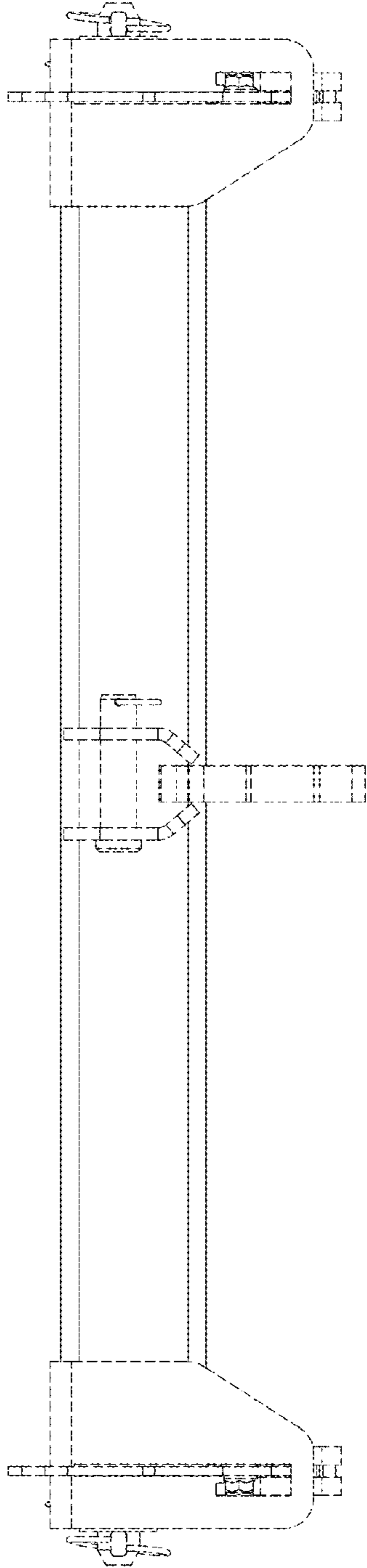


Fig. 13.

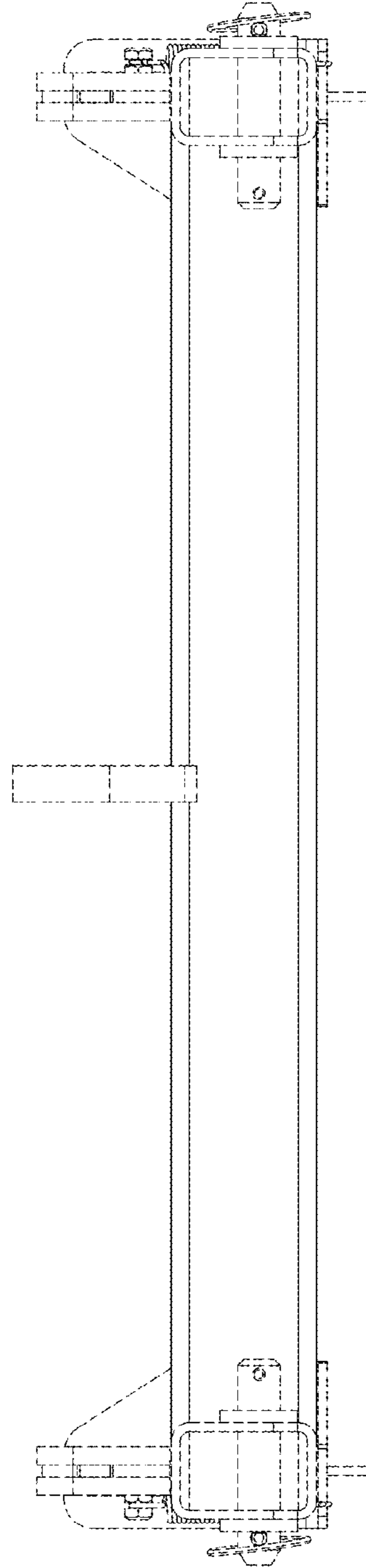


Fig. 14.

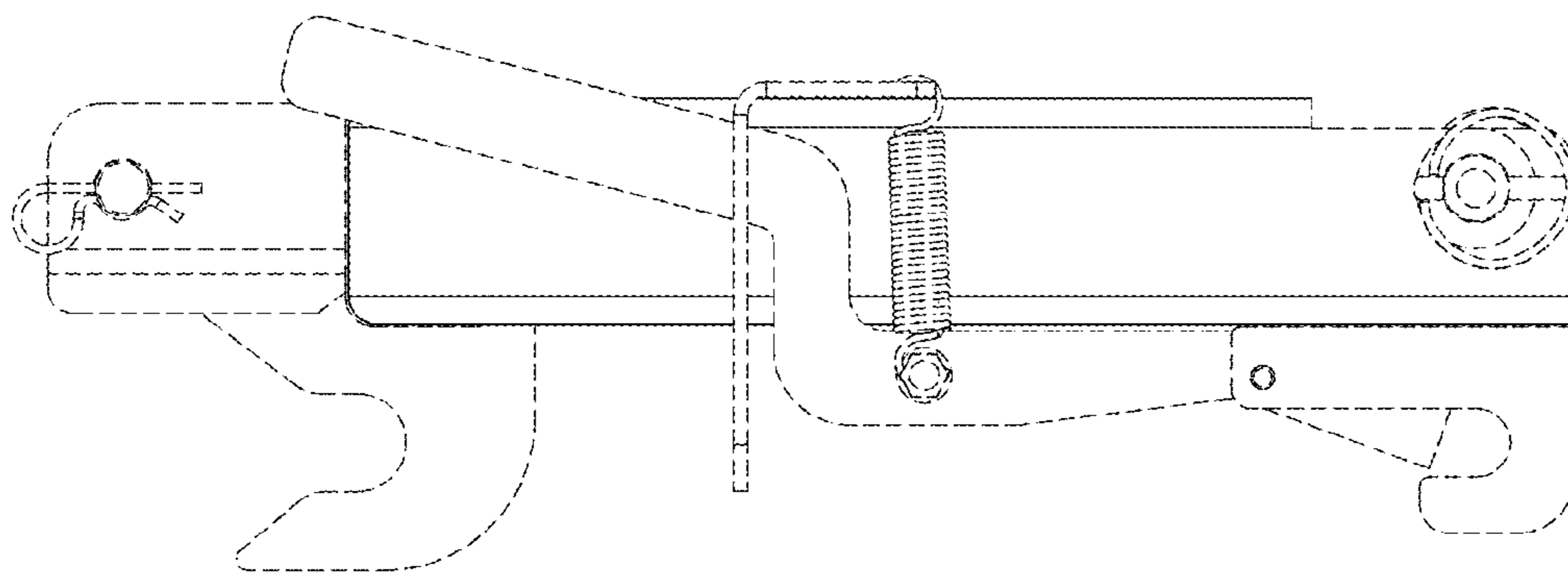


Fig. 15.

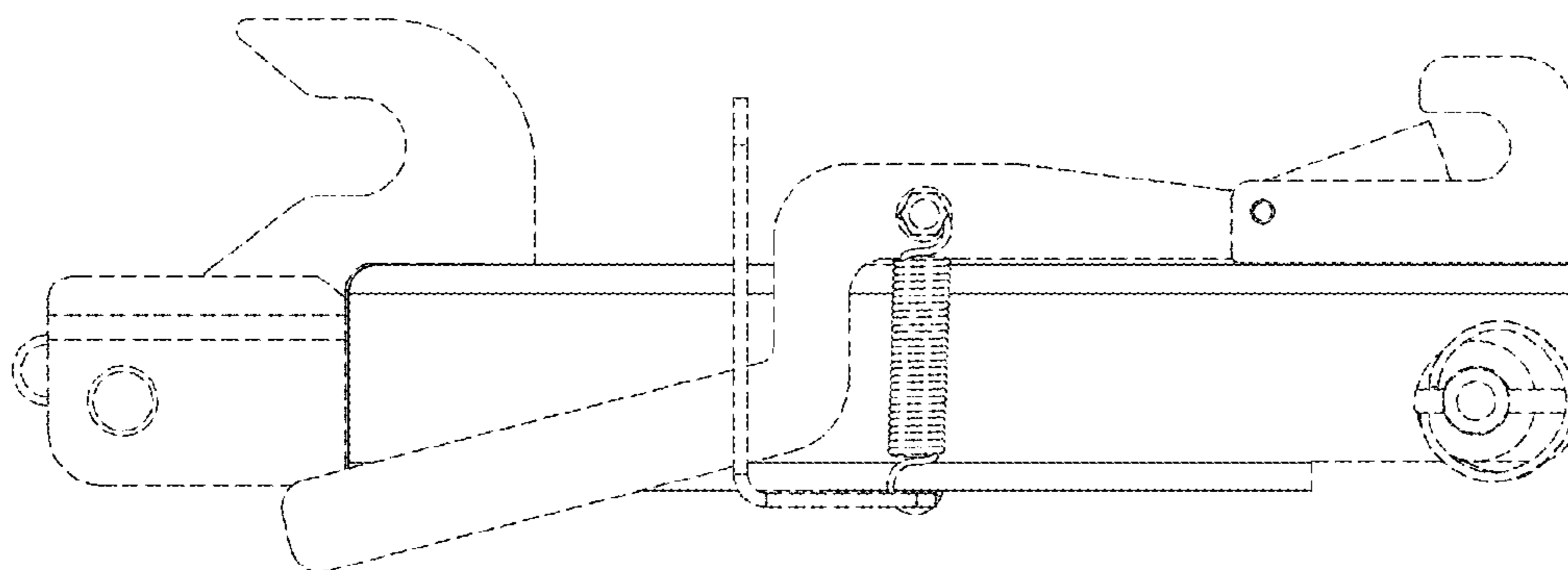


Fig. 16.