



US00D747234S

(12) **United States Design Patent**  
**Akana et al.**

(10) **Patent No.:** **US D747,234 S**  
(45) **Date of Patent:** **\*\* Jan. 12, 2016**

(54) **BAND**

(71) Applicant: **Apple Inc.**, Cupertino, CA (US)

(72) Inventors: **Jody Akana**, San Francisco, CA (US);  
**Bartley K. Andre**, Palo Alto, CA (US);  
**Shota Aoyagi**, San Francisco, CA (US);  
**Anthony Michael Ashcroft**, San Francisco, CA (US);  
**Jeremy Bataillou**, San Francisco, CA (US);  
**Daniel J. Coster**, San Francisco, CA (US);  
**Daniele De Iuliis**, San Francisco, CA (US);  
**M. Evans Hankey**, San Francisco, CA (US);  
**Julian Hoenig**, San Francisco, CA (US);  
**Richard P. Howarth**, San Francisco, CA (US);  
**Jonathan P. Ive**, San Francisco, CA (US);  
**Duncan Robert Kerr**, San Francisco, CA (US);  
**Marc A. Newson**, London (GB);  
**Matthew Dean Rohrbach**, San Francisco, CA (US);  
**Peter Russell-Clarke**, San Francisco, CA (US);  
**Benjamin Andrew Shaffer**, San Jose, CA (US);  
**Mikael Silvanto**, San Francisco, CA (US);  
**Christopher J. Stringer**, Woodside, CA (US);  
**Eugene Antony Whang**, San Francisco, CA (US);  
**Rico Zörkendörfer**, San Francisco, CA (US)

(73) Assignee: **Apple Inc.**, Cupertino, CA (US)

(\*\*) Term: **14 Years**

(21) Appl. No.: **29/520,569**

(22) Filed: **Mar. 16, 2015**

**Related U.S. Application Data**

(63) Continuation of application No. 29/498,995, filed on Aug. 11, 2014, now Pat. No. Des. 724,469.

(51) **LOC (10) Cl.** ..... **11-01**

(52) **U.S. Cl.**  
USPC ..... **D11/3; D11/86**

(58) **Field of Classification Search**

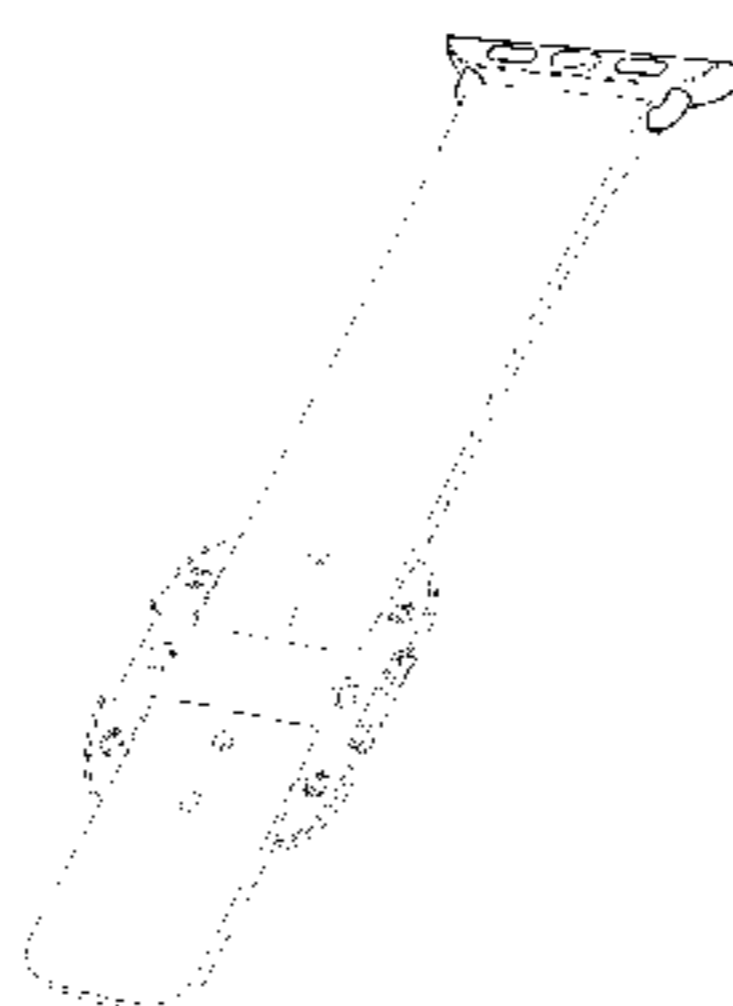
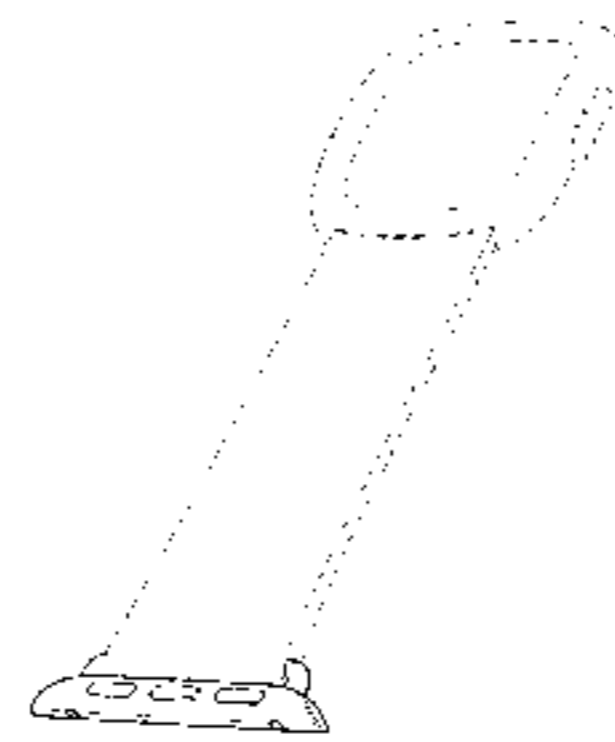
USPC ..... D11/1-25, 86, 87, 93, 94; D10/30-39,  
D10/70, 46; 24/456, 574.1, 587.11, 587.12,  
24/578.15, 265 B; 600/301; 224/164, 175;  
368/276, 281, 282, 285  
CPC .... G04B 37/1486; G04B 37/16; G04B 37/18;  
A44C 5/14; A44C 5/0053; A44C 5/0069;  
A44C 5/0076; A44C 5/00; A44C 5/0007;  
A44C 5/0015; A44C 5/0023; A44C 5/003;  
A44C 5/0061; A44C 5/12; A44C 5/147;  
A44C 5/18; A44C 5/185

See application file for complete search history.

(56) **References Cited**

**U.S. PATENT DOCUMENTS**

482,289 A	9/1892	Ziegler	
505,473 A	9/1893	Mehring	
1,712,734 A	5/1929	Kraemer	
2,280,490 A	4/1942	Keltie	
D163,987 S	7/1951	Barre	
3,030,686 A	4/1962	Burkhardt	
3,665,565 A	5/1972	Kruger	
3,675,284 A	7/1972	Rieth	
3,705,456 A *	12/1972	Bruner	A44C 5/14 24/265 B
4,470,174 A	9/1984	Rhea	
D305,743 S *	1/1990	Hirsch	D11/94
D320,566 S	10/1991	Ericson	
5,363,351 A	11/1994	Carney	
D455,662 S *	4/2002	Johnston	D10/32
D473,818 S	4/2003	Salvisberg	
D494,098 S	8/2004	Cohen	
D535,205 S *	1/2007	Frederick	D10/104.1
D564,367 S	3/2008	Molyneux	
D566,580 S	4/2008	Giorgio	
7,406,789 B2	8/2008	Story	
7,591,581 B2	9/2009	Lovegrove et al.	
D622,164 S *	8/2010	Mikkelsen	D10/32
D628,510 S	12/2010	Maier	
D643,772 S *	8/2011	Mikkelsen	D11/93
8,601,784 B2	12/2013	Kaltenrieder	
D699,143 S	2/2014	Xu	
D711,002 S	8/2014	Ohnemus et al.	
D718,170 S	11/2014	Aumiller et al.	
D724,469 S	3/2015	Akana et al.	
D727,198 S *	4/2015	Akana	D11/3
D727,787 S *	4/2015	Akana	D11/94
D731,346 S *	6/2015	Akana	D11/3



D735,588 S \* 8/2015 Shimunov ..... D10/32  
 D735,710 S \* 8/2015 Song ..... D10/38  
 2007/0070823 A1\* 3/2007 Sima ..... A44C 5/14  
 368/382  
 2014/0096345 A1 4/2014 Tschumi  
 2014/0098649 A1 4/2014 Tschumi

FOREIGN PATENT DOCUMENTS

DE 20319858 U1 4/2004  
 EP 2636328 A1 9/2013  
 ES 002297770-0003 6/2013  
 GB 618917 A 3/1949  
 GB 2082277 6/1999  
 GB 2088761 2/2000  
 JP H08336406 A 12/1996  
 JP D1140196 4/2002  
 JP D1263841 2/2006  
 JP D1279761 8/2006  
 JP D1296110 3/2007  
 JP D1380179 2/2010  
 JP D1494268 4/2014  
 JP D1511746 11/2014  
 WO DM/012262-001 1/1989  
 WO 2013182397 A1 12/2013

OTHER PUBLICATIONS

[Online] <http://icamba.com/wp-content/uploads/2015/05/HTB1YIZqHpXXXXcCaXXXq6xXFXXI.jpg>. Retrieved Aug. 20, 2015.\*  
 etsy.com, “1 Set Silver End Cap Clasp—Findings Large Toggle Clasp End Caps Buckle Connector with Five Inside Loops for Jewelry Making 26mm,” <<http://www.etsy.com/listing/101269004/1-set-silver-end-cap-clasp-findings?ref=market>>, Listed on Aug. 29, 2014, accessed Oct. 9, 2014.  
 Metawatch, “Frame—Black (MW3005),” <<http://meta.watch/collections/smartwatch-all/products/frame-ss-black-leather>>, accessed Dec. 15, 2014.  
 [Online] <<http://everydaydigitals.com/heres-what-i-think/21/apples-wearable-device-will-be-more-nike-fuel-band-than-pebble-watch>> Retrieved on Dec. 25, 2014.  
 [Online] <<http://www.computerworlduk.com/slideshow/mobile-wireless/3573389/the-many-looks-of-the-apple-watch/6/#content>> Retrieved on Dec. 25, 2014.  
 Pebble, “Pebble Smartwatch,” getpebble.com, <<https://getpebble.com/checkout>>, accessed Dec. 15, 2014.  
 Velazco, Chris, “ASUS ZenWatch review: subtle and stylish, with a few shortcomings,” Engadget.com, <<http://www.engadget.com/2014/12/11/asus-zenwatch-review/>>, dated Dec. 11, 2014, accessed Dec. 15, 2014.  
 [Online] [http://i.ytimg.com/vi/Ab\\_oapZ8GpM/maxresdefault.jpg](http://i.ytimg.com/vi/Ab_oapZ8GpM/maxresdefault.jpg), accessed on Mar. 30, 2015.  
 [Online] <http://ttb.thetechblock.netdna-cdn.com/wp-content/uploads/2014/09/apple-watch-31.jpg>, accessed on Mar. 30, 2015.  
 U.S. Appl. No. 29/498,987, filed Aug. 11, 2014.  
 U.S. Appl. No. 29/498,990, filed Aug. 11, 2014 (issued as U.S. Patent No. D727,197 on Apr. 21, 2015).  
 U.S. Appl. No. 29/498,994, filed Aug. 11, 2014 (issued as U.S. Patent No. D727,198 on Apr. 21, 2015).  
 U.S. Appl. No. 29/498,995, filed Aug. 11, 2014 (issued as U.S. Patent No. D724,469 on Mar. 17, 2015).  
 U.S. Appl. No. 29/498,996, filed Aug. 11, 2014 (issued as U.S. Patent No. D731,346 on Jun. 9, 2015).  
 U.S. Appl. No. 29/498,997, filed Aug. 11, 2014 (issued as U.S. Patent No. D727,199 on Apr. 21, 2015).

U.S. Appl. No. 29/499,052, filed Aug. 11, 2014 (issued as U.S. Patent No. D739,780 on Sep. 29, 2015).  
 U.S. Appl. No. 29/499,061, filed Aug. 11, 2014.  
 U.S. Appl. No. 29/499,067, filed Aug. 11, 2014.  
 U.S. Appl. No. 29/499,068, filed Aug. 11, 2014.  
 U.S. Appl. No. 29/499,069, filed Aug. 11, 2014.  
 U.S. Appl. No. 29/499,080, filed Aug. 11, 2014 (issued as U.S. Patent No. D737,156 on Aug. 25, 2015).  
 U.S. Appl. No. 29/499,081, filed Aug. 11, 2014.  
 U.S. Appl. No. 29/499,082, filed Aug. 11, 2014.  
 U.S. Appl. No. 29/499,088, filed Aug. 11, 2014 (issued as U.S. Patent No. D737,157 on Aug. 25, 2015).  
 U.S. Appl. No. 29/499,090, filed Aug. 11, 2014.  
 U.S. Appl. No. 29/499,091, filed Aug. 11, 2014 (issued as U.S. Patent No. D737,158 on Aug. 25, 2015).  
 U.S. Appl. No. 29/501,152, filed Sep. 2, 2014.  
 U.S. Appl. No. 29/501,624, filed Sep. 5, 2014.  
 U.S. Appl. No. 29/501,720, filed Sep. 8, 2014.  
 U.S. Appl. No. 29/501,722, filed Sep. 8, 2014.  
 U.S. Appl. No. 29/501,723, filed Sep. 8, 2014 (issued as U.S. Patent No. D737,159 on Aug. 25, 2015).  
 U.S. Appl. No. 29/501,733, filed Sep. 8, 2014.  
 U.S. Appl. No. 29/501,737, filed Sep. 8, 2014.  
 U.S. Appl. No. 29/501,746, filed Sep. 8, 2014.  
 U.S. Appl. No. 29/501,759, filed Sep. 8, 2014.  
 U.S. Appl. No. 29/501,760, filed Sep. 8, 2014.  
 U.S. Appl. No. 29/501,763, filed Sep. 8, 2014 (issued as U.S. Patent No. D727,787 on Apr. 28, 2015).  
 U.S. Appl. No. 29/501,766, filed Sep. 8, 2014.  
 U.S. Appl. No. 29/501,772, filed Sep. 8, 2014.  
 U.S. Appl. No. 29/501,775, filed Sep. 8, 2014 (issued as U.S. Pat. No. D732,416 on Jun. 23, 2015).

\* cited by examiner

Primary Examiner — Cathron Brooks  
 Assistant Examiner — Melanie Pellegrini  
 (74) Attorney, Agent, or Firm — Sterne, Kessler, Goldstein & Fox P.L.L.C.

(57) CLAIM

The ornamental design for a band, as shown and described.

DESCRIPTION

FIG. 1 is a bottom front perspective view of a band showing our new design;  
 FIG. 2 is a bottom rear perspective view thereof;  
 FIG. 3 is a front view thereof;  
 FIG. 4 is a rear view thereof;  
 FIG. 5 is a left side view thereof;  
 FIG. 6 is a right side view thereof;  
 FIG. 7 is a top view thereof;  
 FIG. 8 is a bottom view thereof; and,  
 FIG. 9 is a perspective view thereof in an environment in which it may be used.  
 The broken lines in the Figures show portions of the band and environment that form no part of the claimed design.

1 Claim, 6 Drawing Sheets

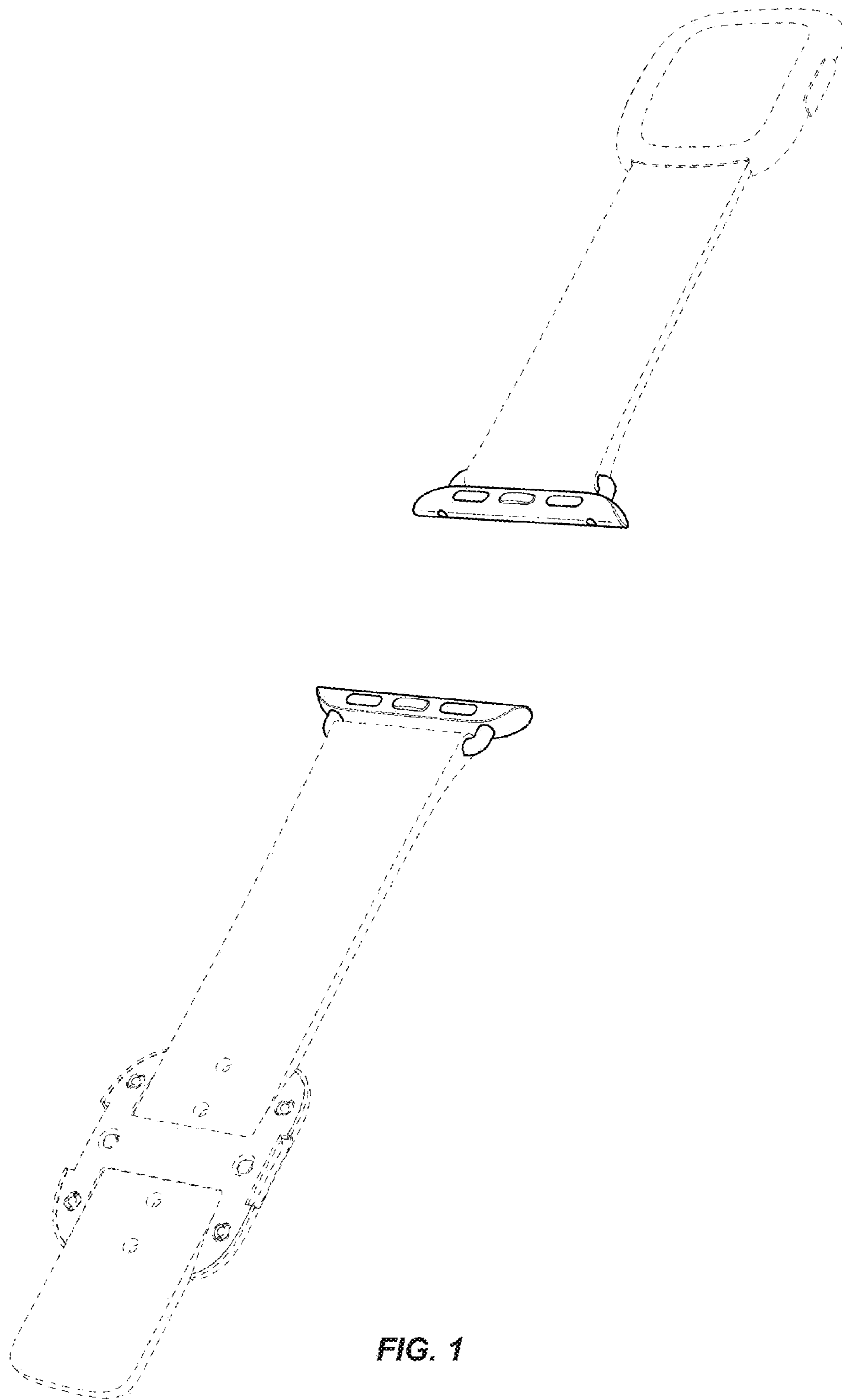


FIG. 1

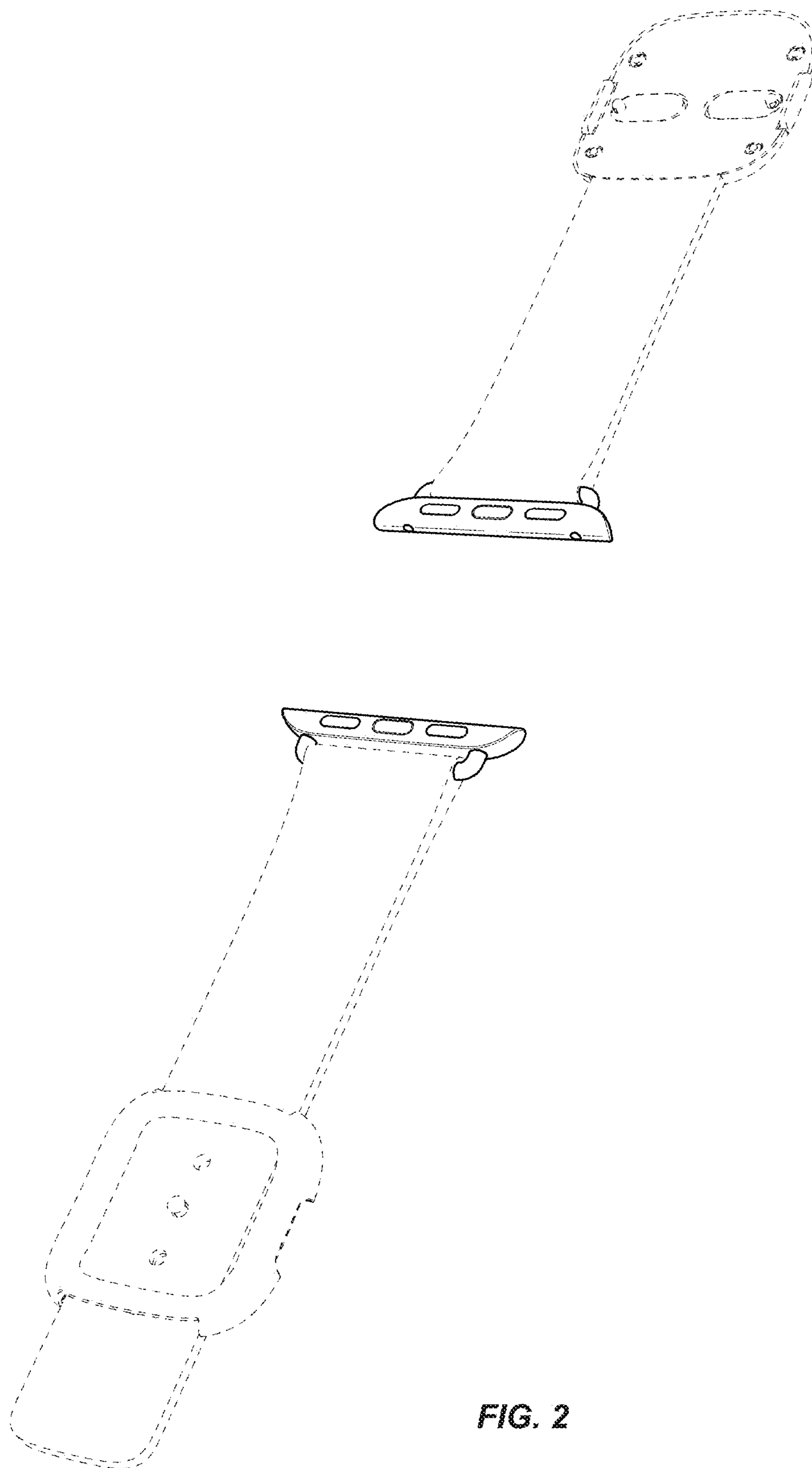


FIG. 2

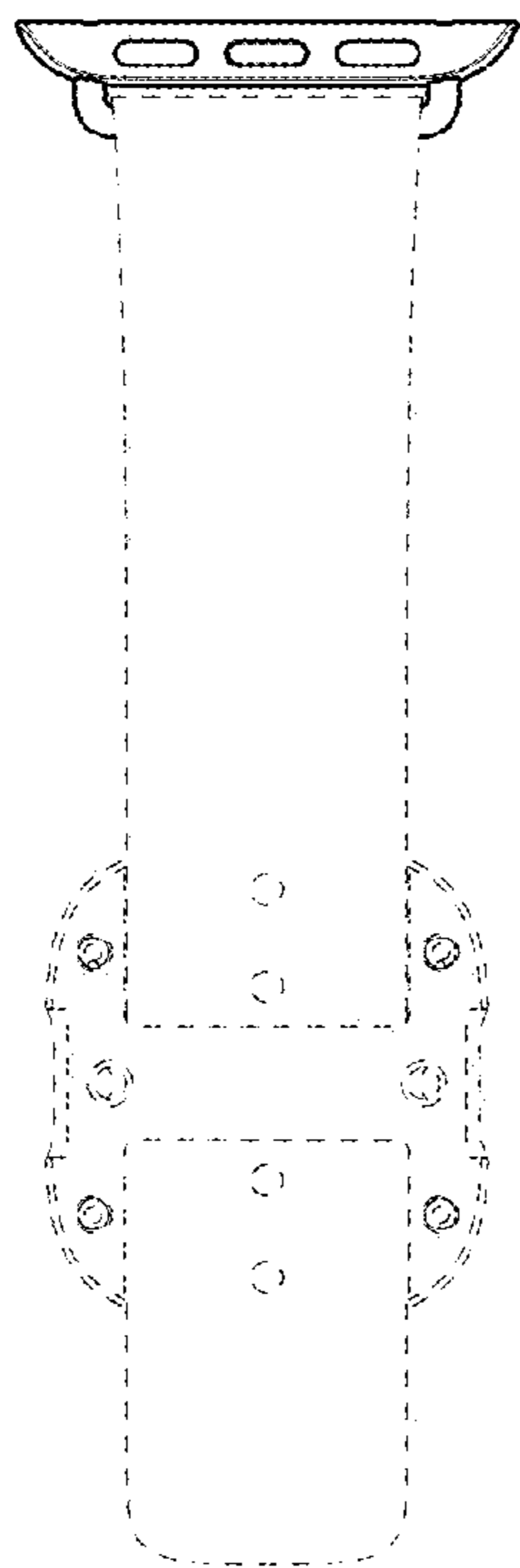
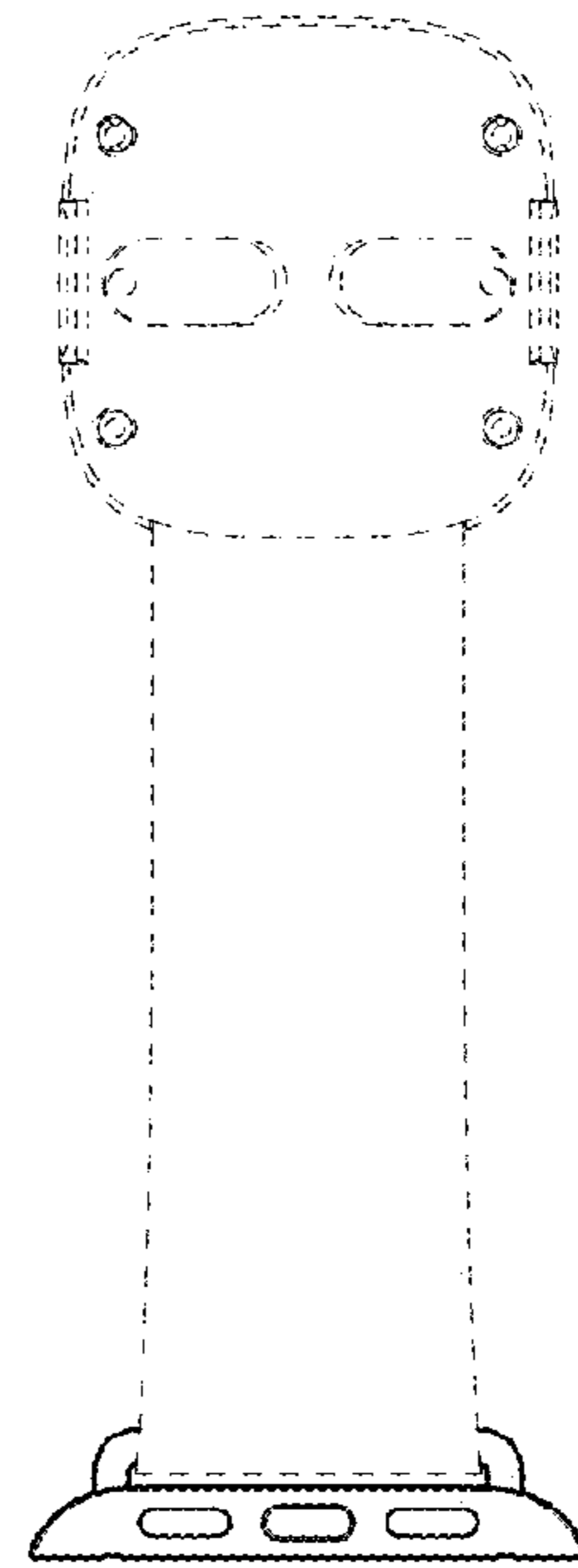
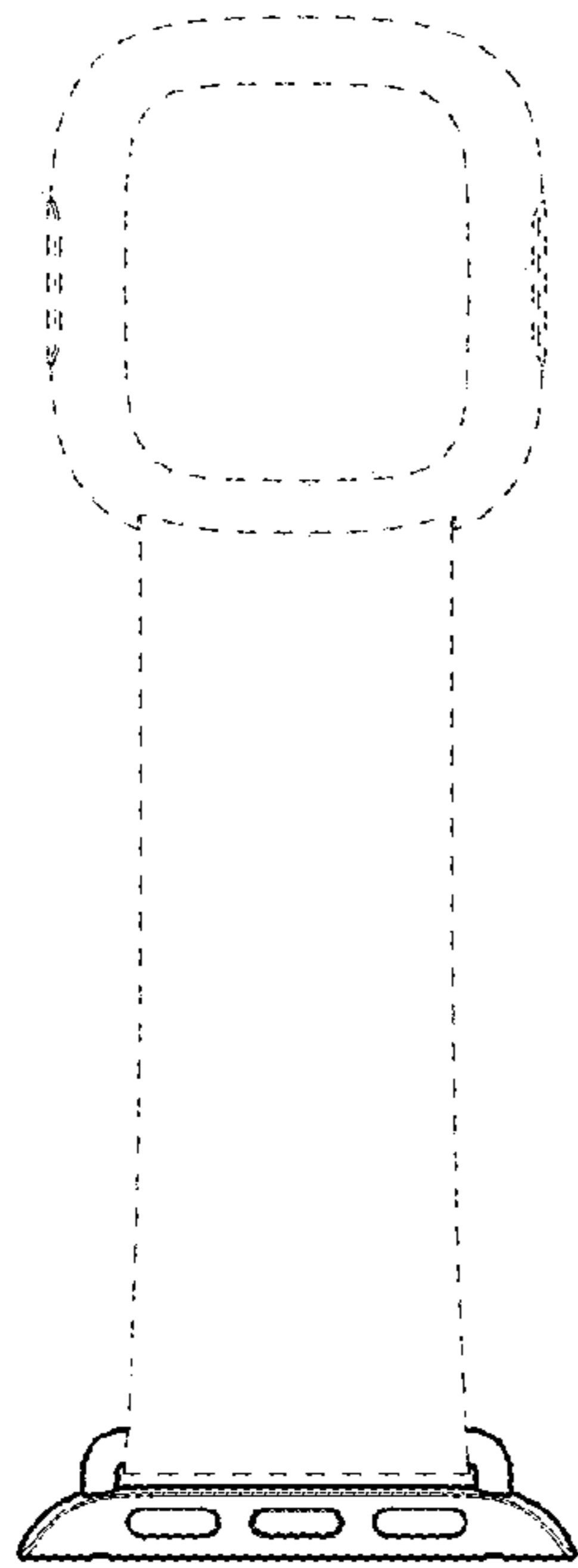


FIG. 3

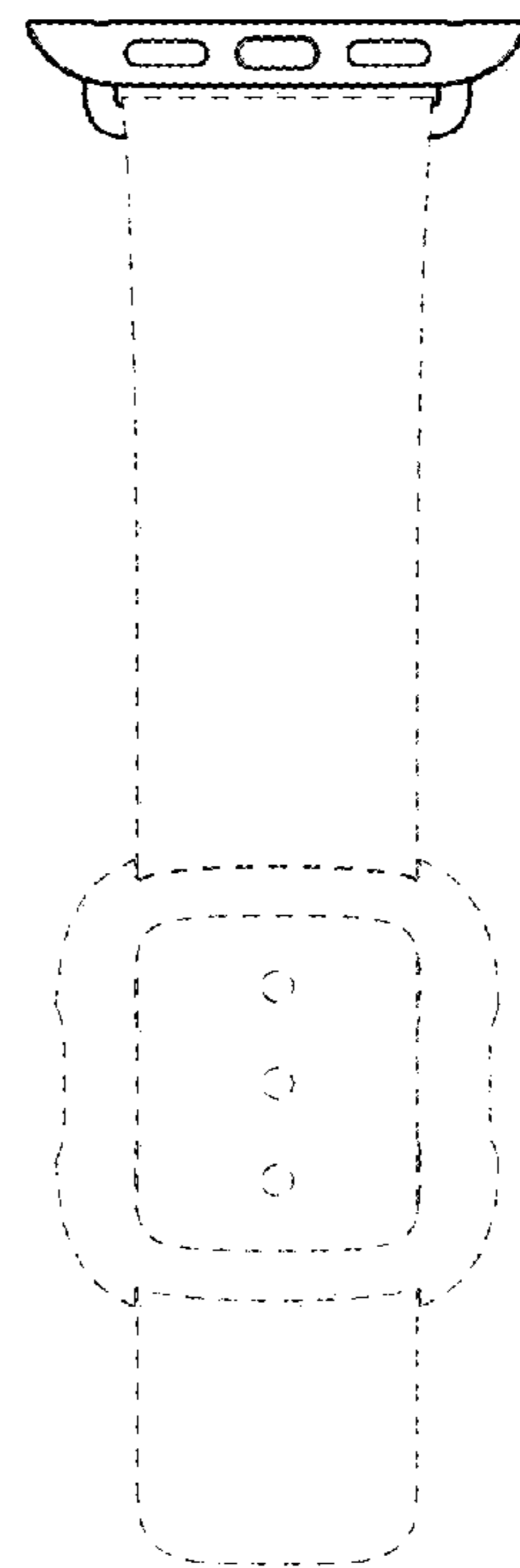


FIG. 4

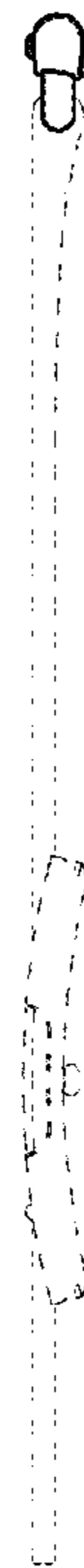
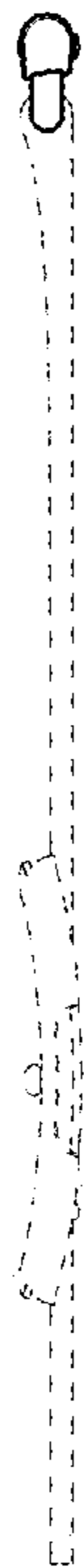
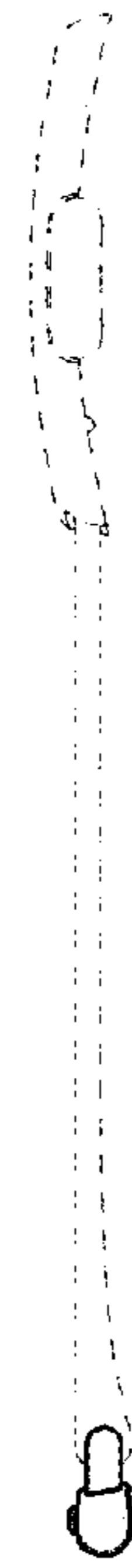
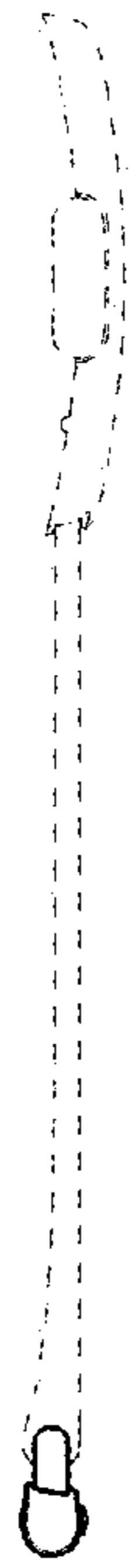
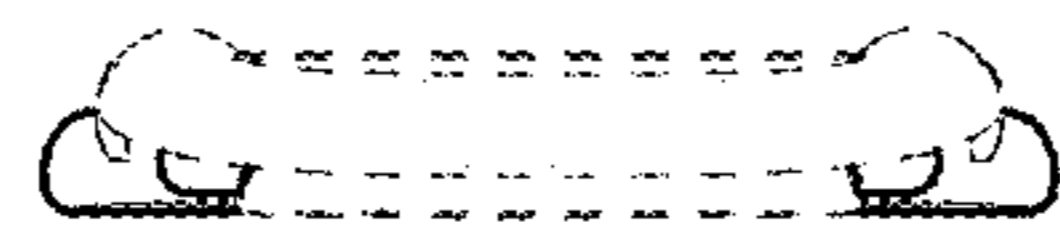
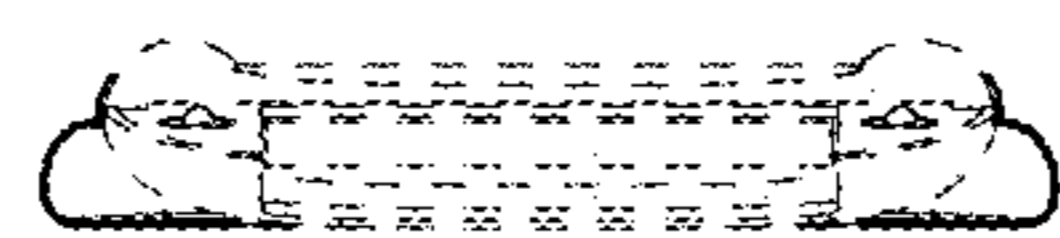


FIG. 5

FIG. 6



**FIG. 7**



**FIG. 8**

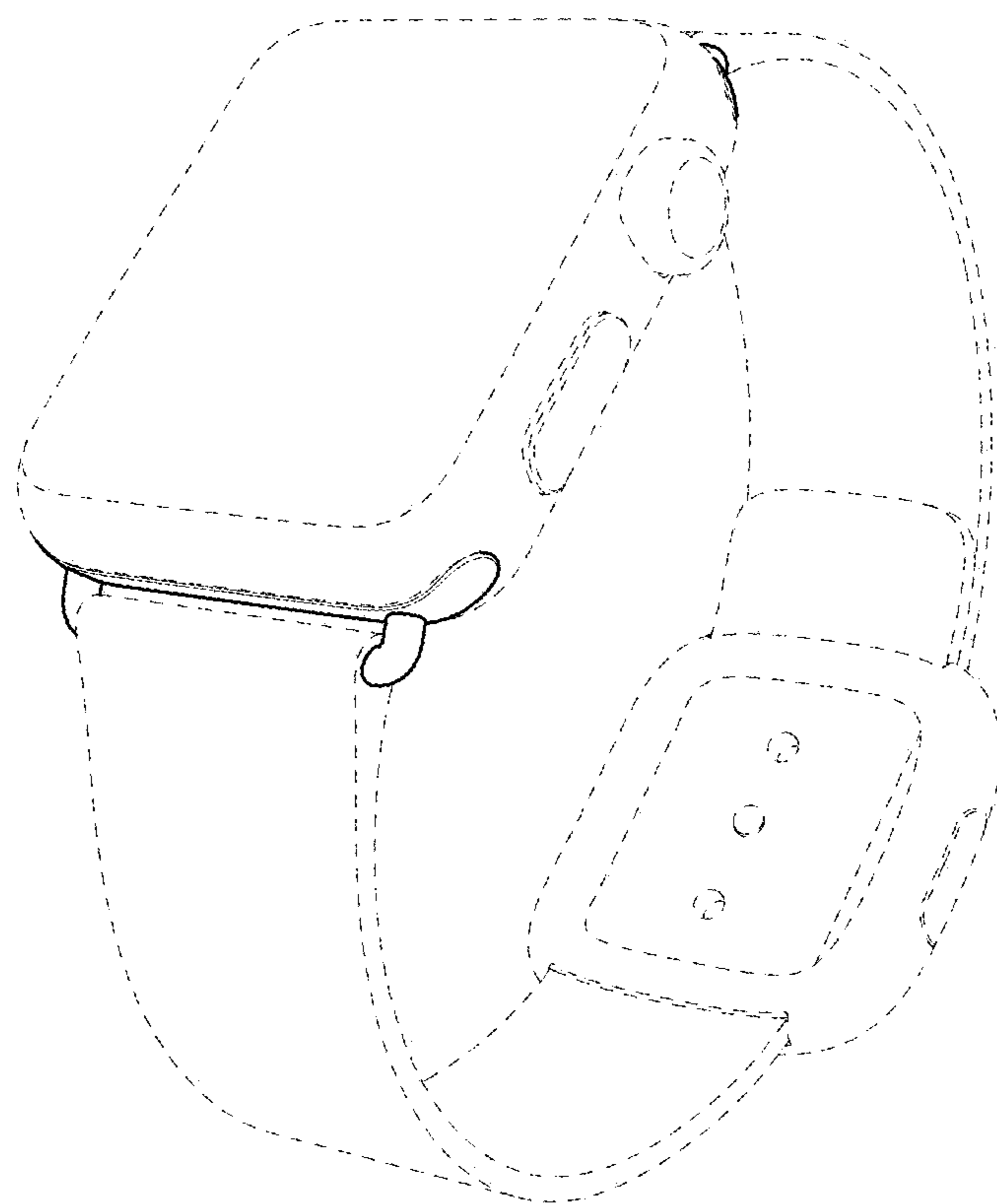


FIG. 9