



US00D747233S

(12) **United States Design Patent**  
**Cerrato**

(10) **Patent No.:** **US D747,233 S**  
(45) **Date of Patent:** **\*\* Jan. 12, 2016**

- (54) **ASSEMBLED WATCH HANDS**
- (71) Applicant: **TUDOR WATCH U.S.A., LLC**, New York, NY (US)
- (72) Inventor: **Davide Cerrato**, Geneva (CH)
- (73) Assignee: **TUDOR WATCH U.S.A., LLC**, New York, NY (US)
- (\*\*) Term: **14 Years**
- (21) Appl. No.: **29/489,537**
- (22) Filed: **Apr. 30, 2014**
- (30) **Foreign Application Priority Data**

Nov. 1, 2013 (CH) ..... 140195

- (51) **LOC (10) Cl.** ..... **10-07**
- (52) **U.S. Cl.**  
USPC ..... **D10/127**

- (58) **Field of Classification Search**  
USPC ..... D10/30-39, 1-29, 122-132  
CPC ..... G04B 19/00; G04B 19/04; G04B 19/042;  
G04B 19/044; G04B 19/025; G04B 19/30;  
G04B 19/305; G04B 19/34  
See application file for complete search history.

- (56) **References Cited**  
U.S. PATENT DOCUMENTS

3,177,646 A \* 4/1965 Ernest et al. .... 368/296  
3,184,912 A \* 5/1965 Freeburg et al. .... 368/238

D423,951 S \* 5/2000 Fichter ..... D10/39  
D438,472 S \* 3/2001 Fichter ..... D10/39  
D509,446 S \* 9/2005 Wunderman ..... D10/32  
6,965,543 B1 \* 11/2005 Shum et al. .... 368/47  
D513,196 S \* 12/2005 Lazaretnik ..... D10/39  
7,120,093 B2 \* 10/2006 Lazaretnik ..... 368/80  
D536,994 S \* 2/2007 Sugisawa et al. .... D10/31  
D540,195 S \* 4/2007 Nussbaumer ..... D10/31  
D555,516 S \* 11/2007 Sugiura ..... D10/31  
D592,531 S \* 5/2009 Wunderman ..... D10/39  
D598,304 S \* 8/2009 Belamich ..... D10/39  
D656,045 S \* 3/2012 Calce ..... D10/39  
D690,611 S \* 10/2013 Inoue ..... D10/39  
2006/0028921 A1 \* 2/2006 Wang et al. .... 368/238

\* cited by examiner

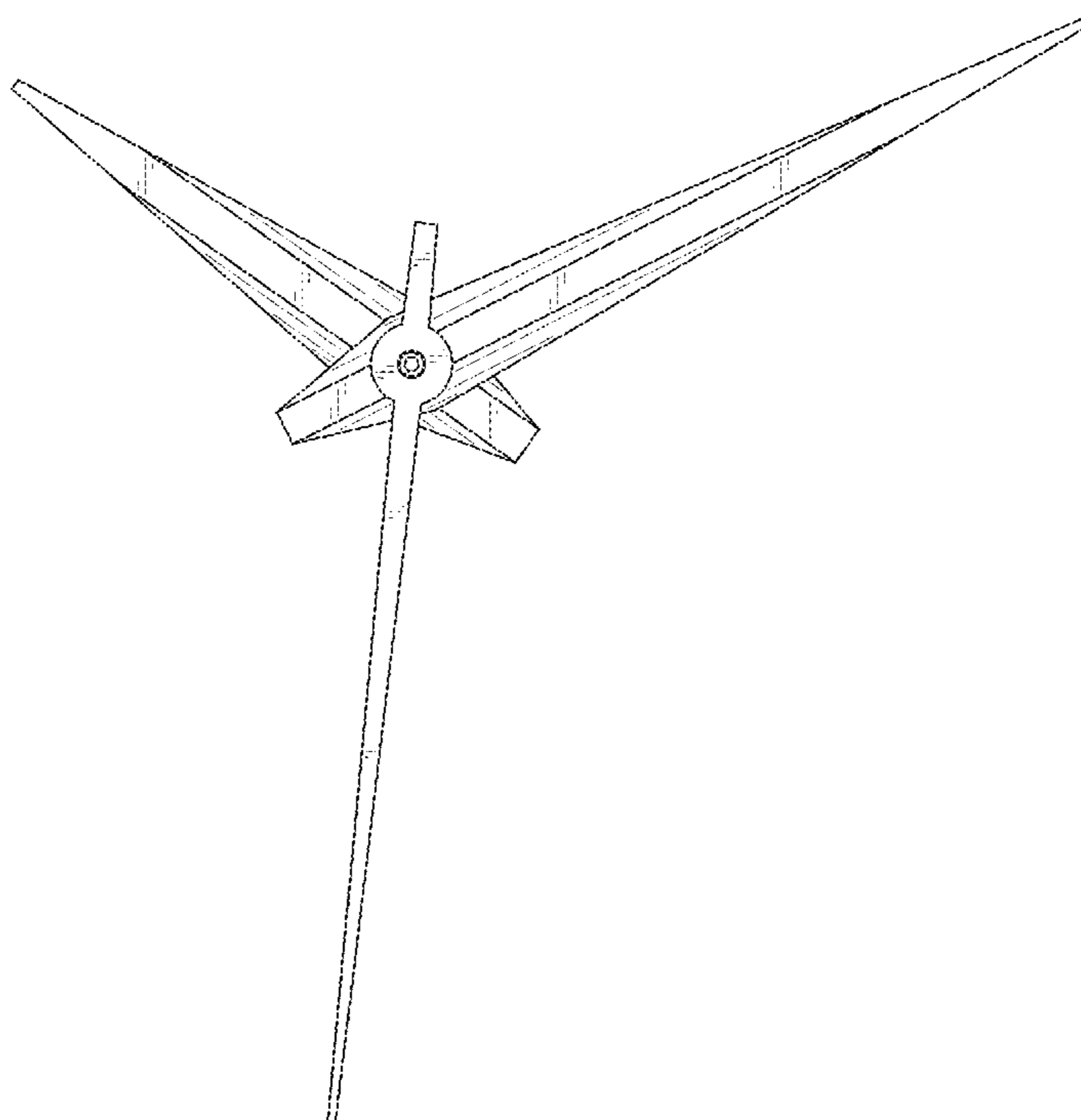
*Primary Examiner* — Martie K Holtje  
(74) *Attorney, Agent, or Firm* — Sughrue Mion, PLLC

- (57) **CLAIM**  
The ornamental design for assembled watch hands, as shown and described.

**DESCRIPTION**

FIG. 1 is a perspective view of assembled watch hands according to my new design;  
FIG. 2 is a front view thereof;  
FIG. 3 is a rear view thereof;  
FIG. 4 is first side view thereof;  
FIG. 5 is a second side view thereof;  
FIG. 6 is a third side view thereof; and,  
FIG. 7 is a fourth side view thereof.

**1 Claim, 5 Drawing Sheets**



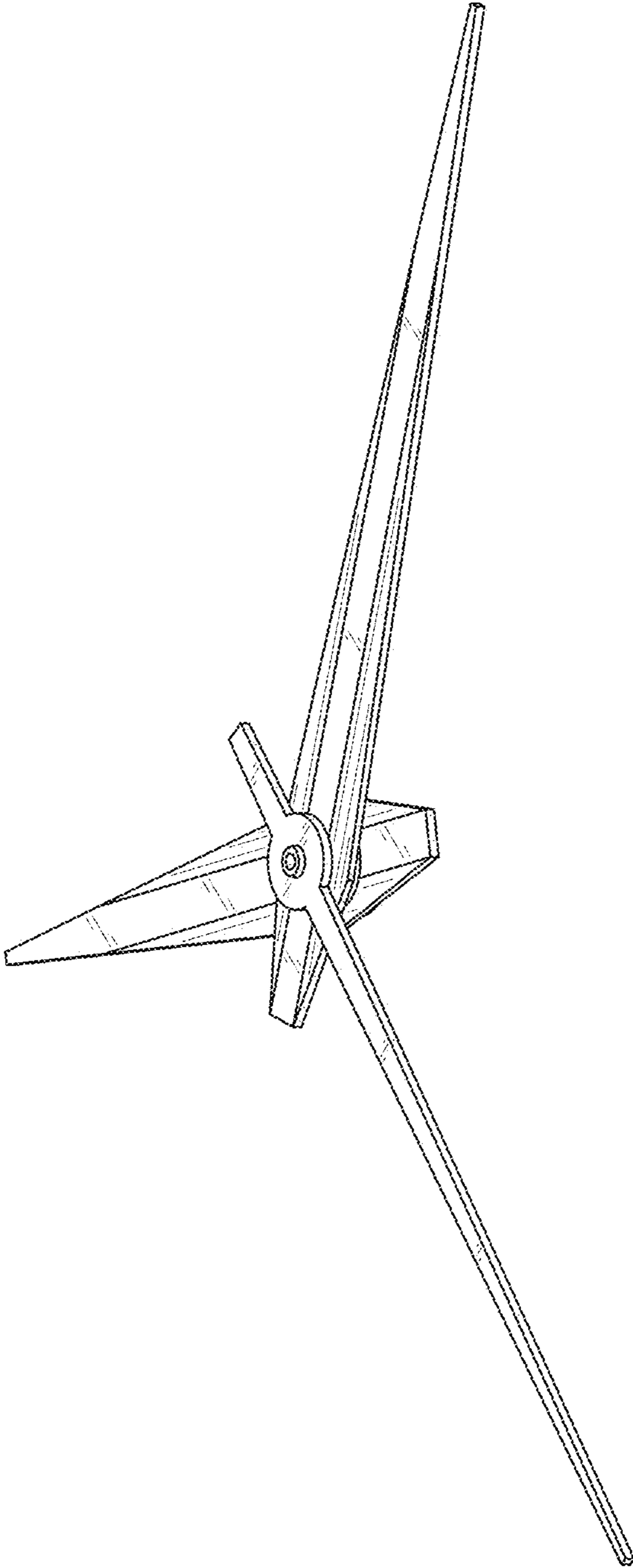


FIG. 1

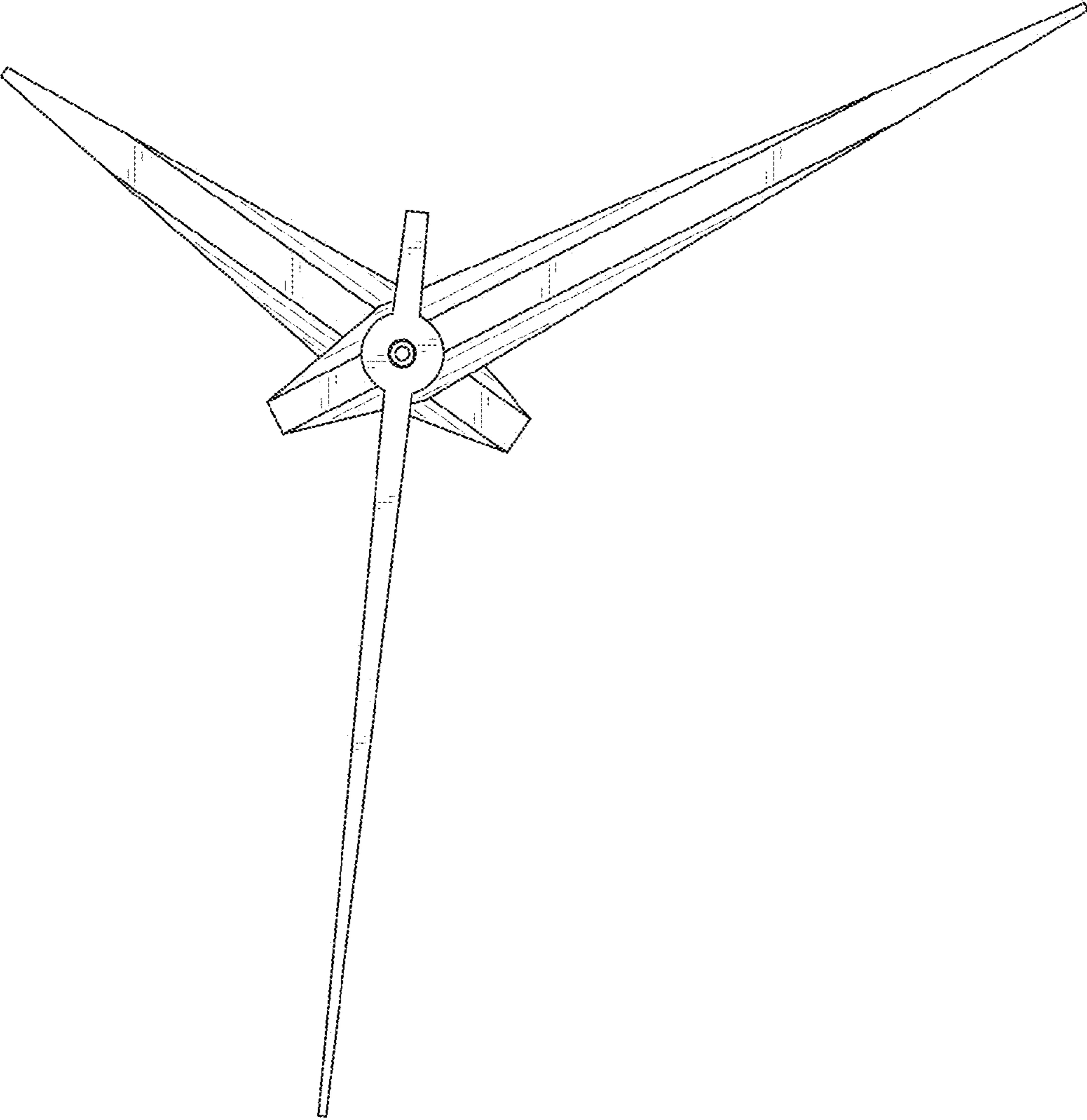


FIG. 2

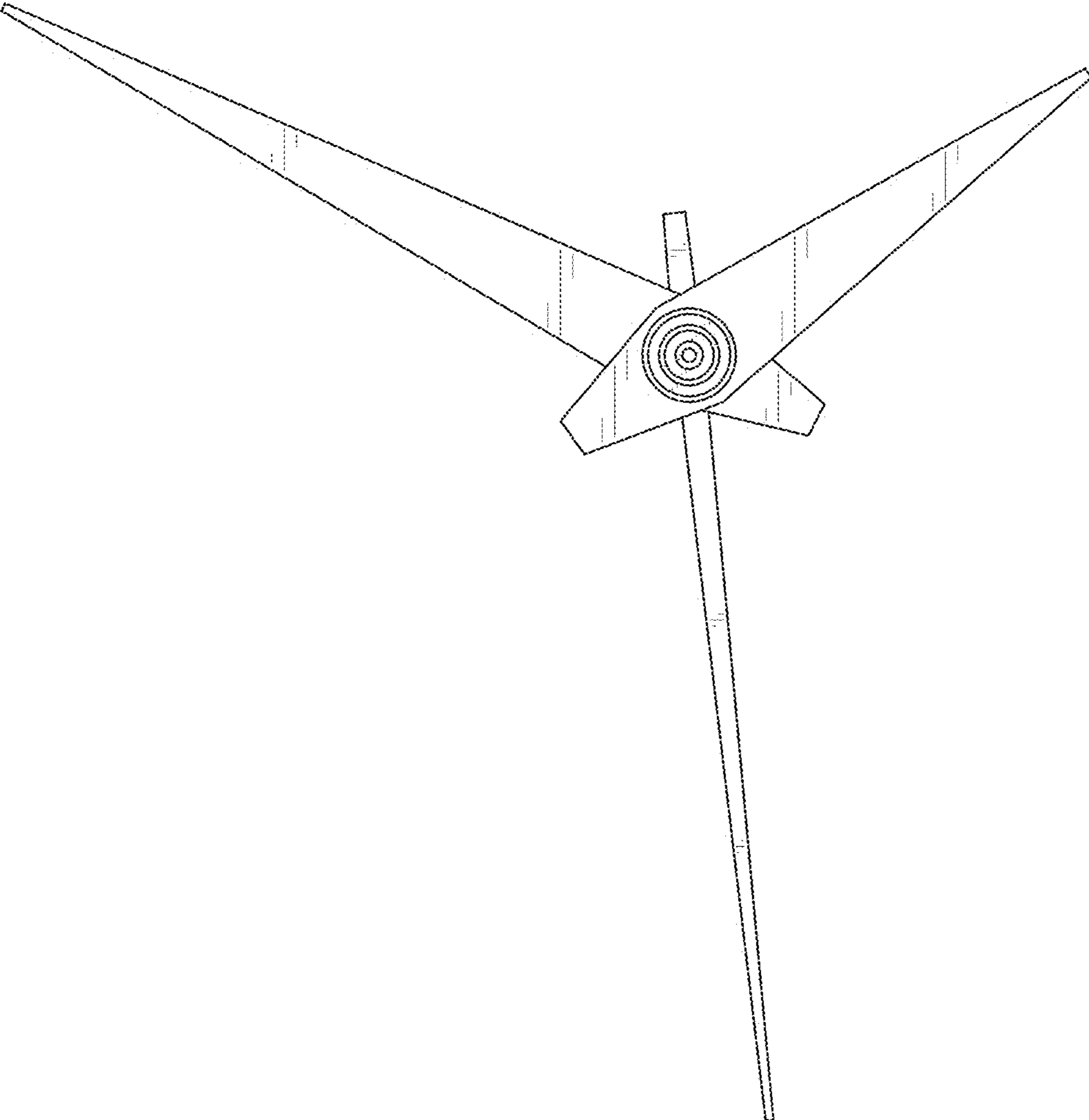


FIG. 3

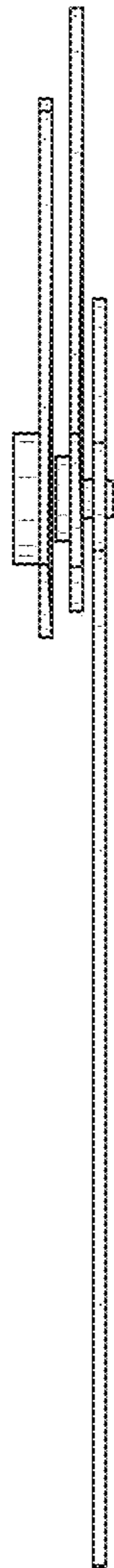


FIG. 4

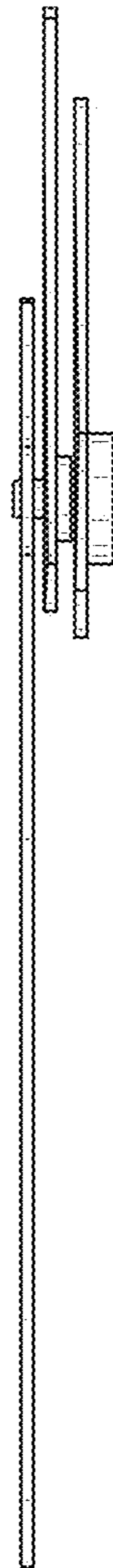


FIG. 5

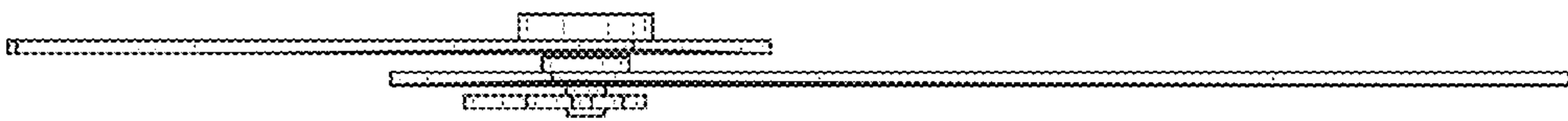


FIG. 6

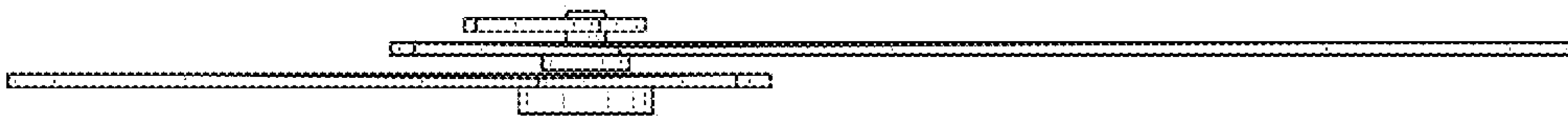


FIG. 7