



US00D747229S

(12) **United States Design Patent**  
**Perez**

(10) **Patent No.:** **US D747,229 S**  
(45) **Date of Patent:** **\*\* Jan. 12, 2016**

(54) **WIRELESS STREAMING UNIT**

(71) Applicant: **Nokia Corporation**, Espoo (FI)

(72) Inventor: **Jose Perez**, Helsinki (FI)

(73) Assignee: **MICROSOFT MOBILE OY**, Espoo (FI)

(\*\*) Term: **14 Years**

(21) Appl. No.: **29/482,271**

(22) Filed: **Feb. 17, 2014**

(51) **LOC (10) CI.** ..... **10-06**

(52) **U.S. Cl.**  
USPC ..... **D10/104.1**

(58) **Field of Classification Search**  
USPC ..... D13/180; D10/18, 21, 24, 25, 27, 28,  
D10/46, 93, 104, 106, 113, 114, 116.1, 121;  
D17/99; D26/13  
CPC ..... B60Q 1/04; B60Q 1/26; F21S 8/026;  
F21S 8/04; F21V 29/004; F21V 21/02;  
F21V 21/04; F21V 29/2212; F21Y 2101/02  
See application file for complete search history.

(56) **References Cited**

**U.S. PATENT DOCUMENTS**

3,337,134	A *	8/1967	Bond	.....	239/19
D254,188	S *	2/1980	Odom	.....	D10/106.5
D256,897	S *	9/1980	Arima et al.	.....	D10/106.2
D261,998	S *	11/1981	Munz	.....	D10/106.1
D290,965	S *	7/1987	Satalof et al.	.....	D17/13
4,729,070	A *	3/1988	Chiu	.....	362/33
5,072,216	A *	12/1991	Grange	.....	362/233
D324,743	S *	3/1992	Prosser	.....	D26/113
D326,423	S *	5/1992	Clyde	.....	D10/106.1
D333,796	S *	3/1993	Bannon	.....	D10/106.5
D339,757	S *	9/1993	Feeney	.....	D10/104.2
D348,895	S *	7/1994	Ito	.....	D17/22
D350,300	S *	9/1994	Browning et al.	.....	D10/106.2
D401,590	S *	11/1998	Tajima et al.	.....	D14/222
D412,456	S *	8/1999	Uehara	.....	D10/47

(Continued)

**OTHER PUBLICATIONS**

Metrans MWT03 Super Mini Micro USB Wireless Charger Transmitter, image post date Sep. 4, 2013, site visited May 27, 2015, (online), <<http://www.dx.com/p/mettrans-mwt03-super-mini-micro-usb-wireless-charger-transmitter-for-nokia-samsung-more-black-226778>>.\*

(Continued)

*Primary Examiner* — Kevin Rudzinski

*Assistant Examiner* — Sean D Lough

(74) *Attorney, Agent, or Firm* — Banner & Witcoff, Ltd.

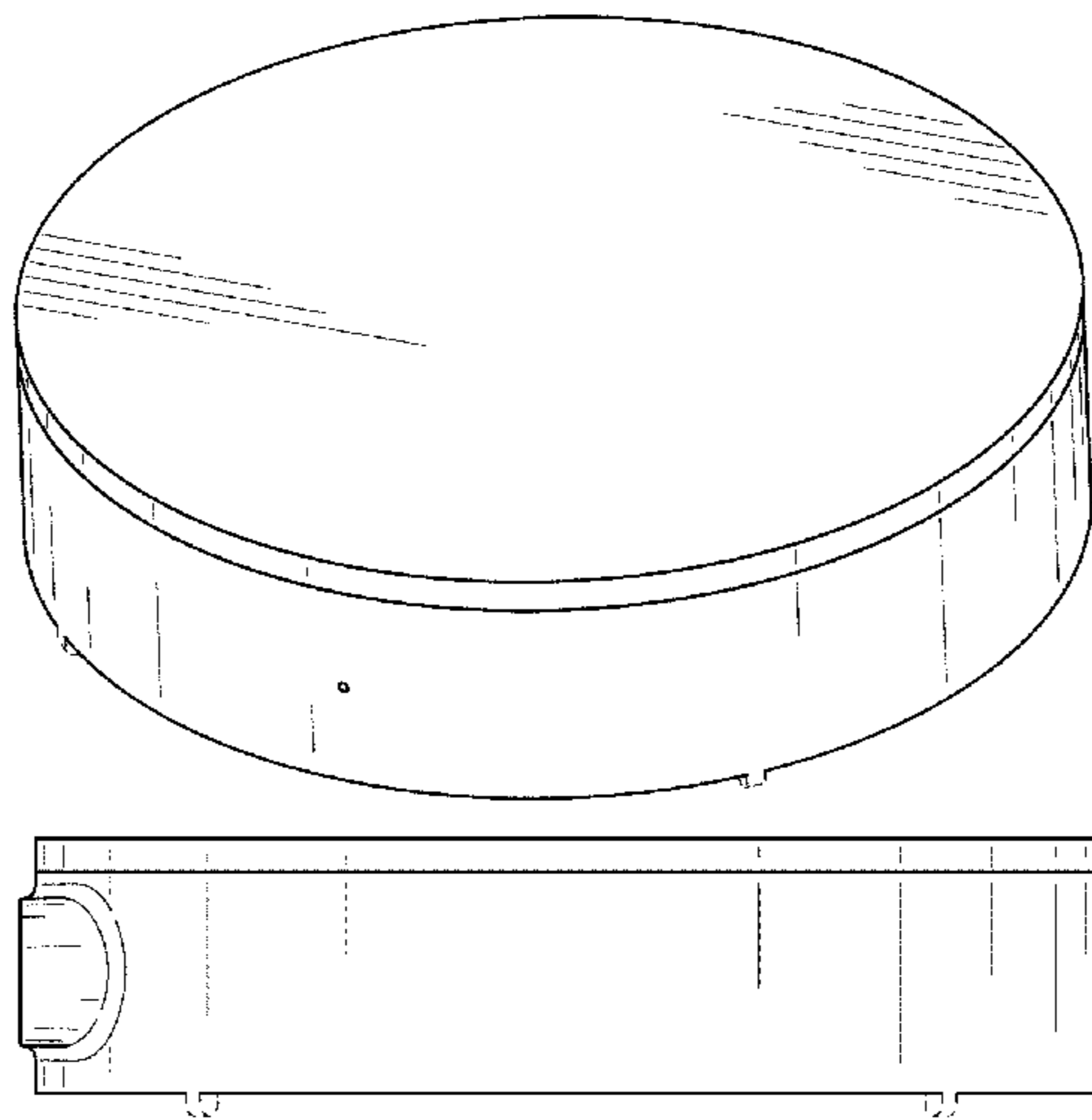
(57) **CLAIM**

The ornamental design for a wireless streaming unit, as shown and described.

**DESCRIPTION**

FIG. 1 is a perspective top-front view of a first embodiment of a wireless streaming unit showing my new design;  
FIG. 2 is a front view thereof;  
FIG. 3 is a rear view thereof;  
FIG. 4 is a right side view thereof;  
FIG. 5 is a left side view thereof;  
FIG. 6 is a top view thereof;  
FIG. 7 is a bottom view thereof;  
FIG. 8 is a perspective top-front view of a second embodiment of a wireless streaming unit showing my new design;  
FIG. 9 is a front view thereof;  
FIG. 10 is a rear view thereof;  
FIG. 11 is a right side view thereof;  
FIG. 12 is a left side view thereof;  
FIG. 13 is a top view thereof; and,  
FIG. 14 is a bottom view thereof.  
The broken lines where presents in the FIGURES illustrate portions of the wireless streaming unit that form no part of the claimed design.

**1 Claim, 6 Drawing Sheets**



(56)

References Cited

U.S. PATENT DOCUMENTS

D413,278 S \* 8/1999 Kuwabara ..... D10/116.1  
 D417,853 S \* 12/1999 Walker ..... D10/121  
 D419,476 S \* 1/2000 Baker ..... D10/106.5  
 D422,930 S \* 4/2000 Kalich ..... D10/106.1  
 D428,352 S \* 7/2000 Hiller et al. .... D10/106.7  
 D434,050 S \* 11/2000 Su ..... D15/135  
 D435,580 S \* 12/2000 Grinkus ..... D17/99  
 D436,548 S \* 1/2001 Masuda et al. .... D10/116.1  
 D451,417 S \* 12/2001 Simu-Brown ..... D10/106.1  
 D468,760 S \* 1/2003 Powers et al. .... D17/20  
 D483,056 S \* 12/2003 Shelley et al. .... D17/22  
 6,717,526 B2 \* 4/2004 Martineau et al. .... 340/815.45  
 D490,838 S \* 6/2004 Liao ..... D17/22  
 D515,958 S \* 2/2006 Dueker et al. .... D10/109.1  
 D550,196 S \* 9/2007 Griffin et al. .... D14/155  
 D558,683 S \* 1/2008 Pape et al. .... D13/158  
 D568,378 S \* 5/2008 Nakao et al. .... D17/22  
 D574,104 S \* 7/2008 Sanoner ..... D26/67  
 D630,193 S \* 1/2011 Bennett ..... D14/226  
 D632,822 S \* 2/2011 Bitton ..... D26/74  
 D637,224 S \* 5/2011 Smith ..... D17/24  
 D648,689 S \* 11/2011 Mehlsen ..... D14/125  
 D650,004 S \* 12/2011 Lawing ..... D17/20  
 D650,116 S \* 12/2011 Buyce et al. .... D26/118  
 D653,982 S \* 2/2012 Deyaf ..... D10/114.4  
 D663,723 S \* 7/2012 Ashiwa et al. .... D14/227  
 D664,286 S \* 7/2012 Chou ..... D26/124

D666,664 S \* 9/2012 Steinberger ..... D17/99  
 8,324,817 B2 \* 12/2012 Ivey et al. .... 315/151  
 D694,456 S \* 11/2013 Rowlette et al. .... D26/74  
 D702,146 S \* 4/2014 Giovanni ..... D10/106.9  
 D705,748 S \* 5/2014 He ..... D14/155  
 D709,396 S \* 7/2014 Eidelman et al. .... D10/106.9  
 D711,275 S \* 8/2014 Scalisi ..... D10/118.1  
 D713,404 S \* 9/2014 Green ..... D14/344  
 D714,989 S \* 10/2014 Rowlette et al. .... D26/74  
 D722,053 S \* 2/2015 Wang ..... D14/358  
 D726,161 S \* 4/2015 Howard et al. .... D14/218  
 D726,363 S \* 4/2015 Danesh ..... D26/138  
 D729,773 S \* 5/2015 Salojarvi et al. .... D14/218  
 2006/0228256 A1 \* 10/2006 McDevitt et al. .... 422/82.05  
 2007/0274070 A1 \* 11/2007 Wedell ..... 362/244  
 2008/0158887 A1 \* 7/2008 Zhu et al. .... 362/294  
 2013/0123767 A1 \* 5/2013 Clark et al. .... 606/13

OTHER PUBLICATIONS

Hossoni BF, image post date May 30, 2012, site visited May 28, 2015, (online), <<http://sell.lulusoso.com/selling-leads/1990388/Photoelectric-CE-approved-light-sensor-photoelectric-sensor-sensor-switch-photocell.html>>.\*  
 Mini Bluetooth Wireless Music Audio Receiver Adapter Partner Mic for iPod iPad iPhone 4S, image post date 2011, site visited May 28, 2015, (online), <<http://www.aliexpress.com/item/1pcs-Mini-Bluetooth-3-0-Wireless-Music-Audio-Receiver-Adapter-Partner-w-Mic-For-iPod-iPad/1566762601.html?>>>.\*

\* cited by examiner

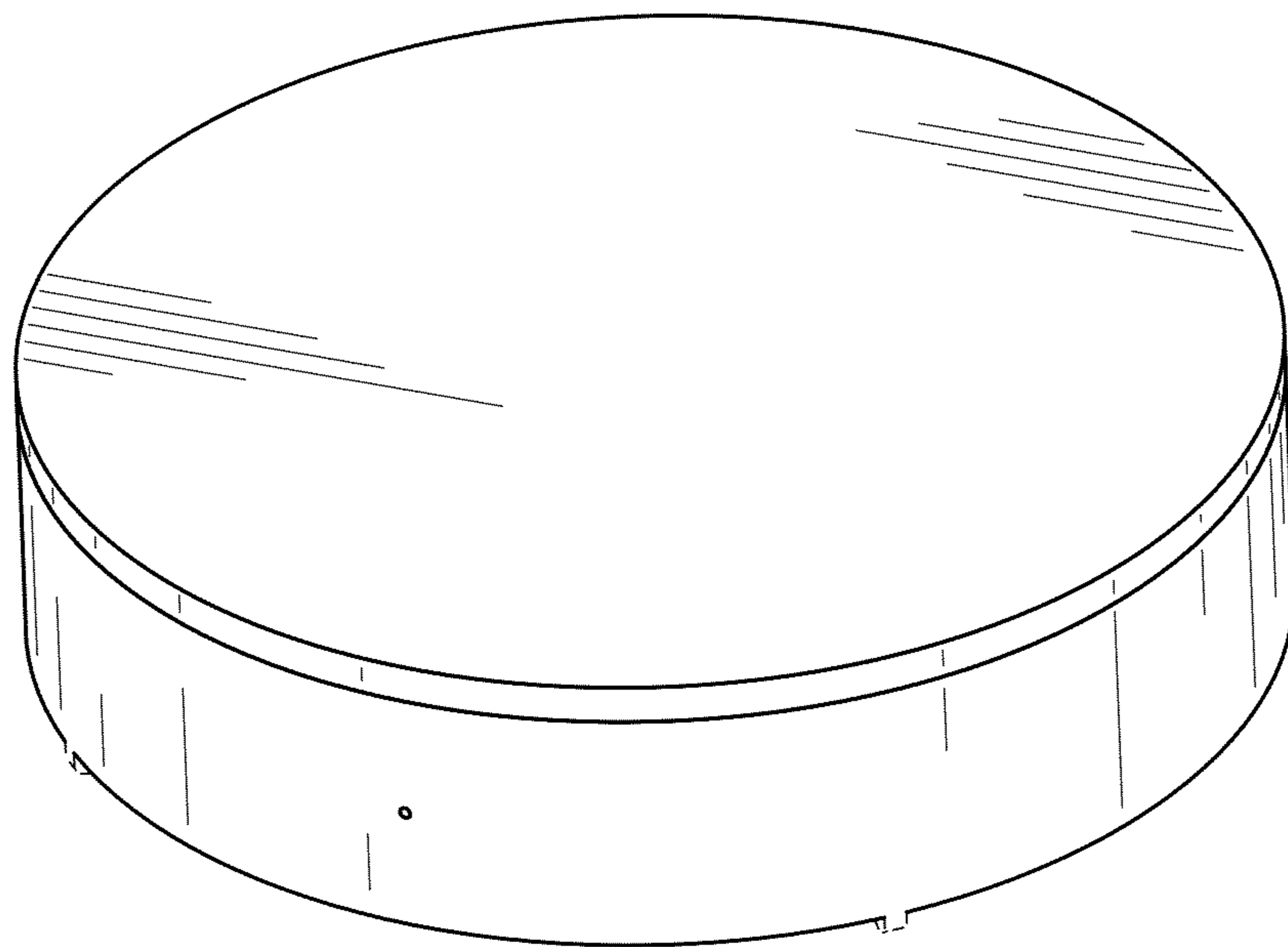


FIG. 1

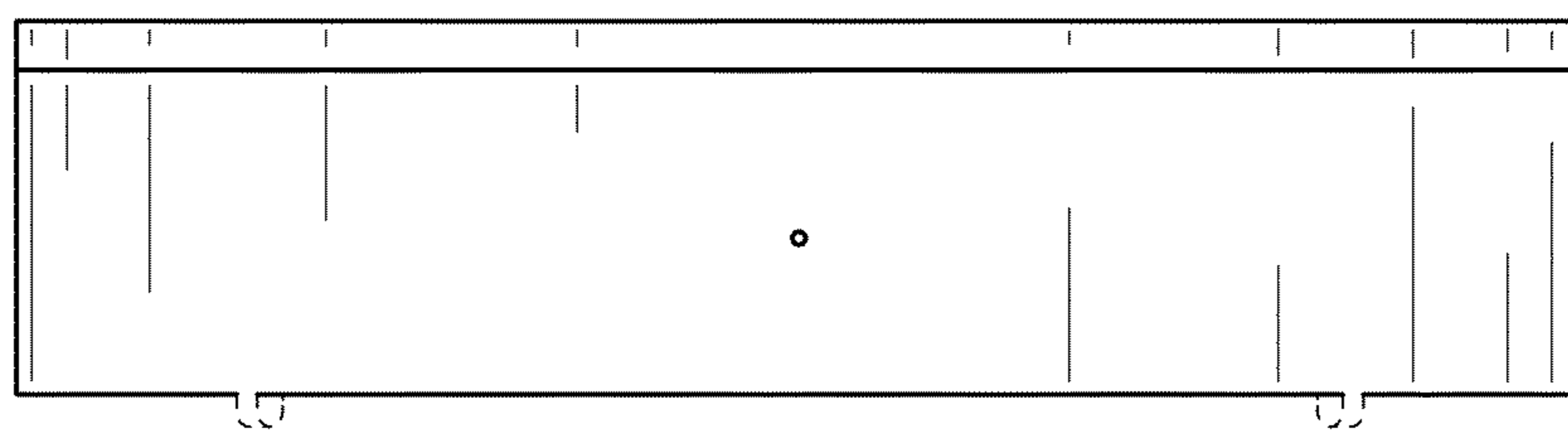


FIG. 2

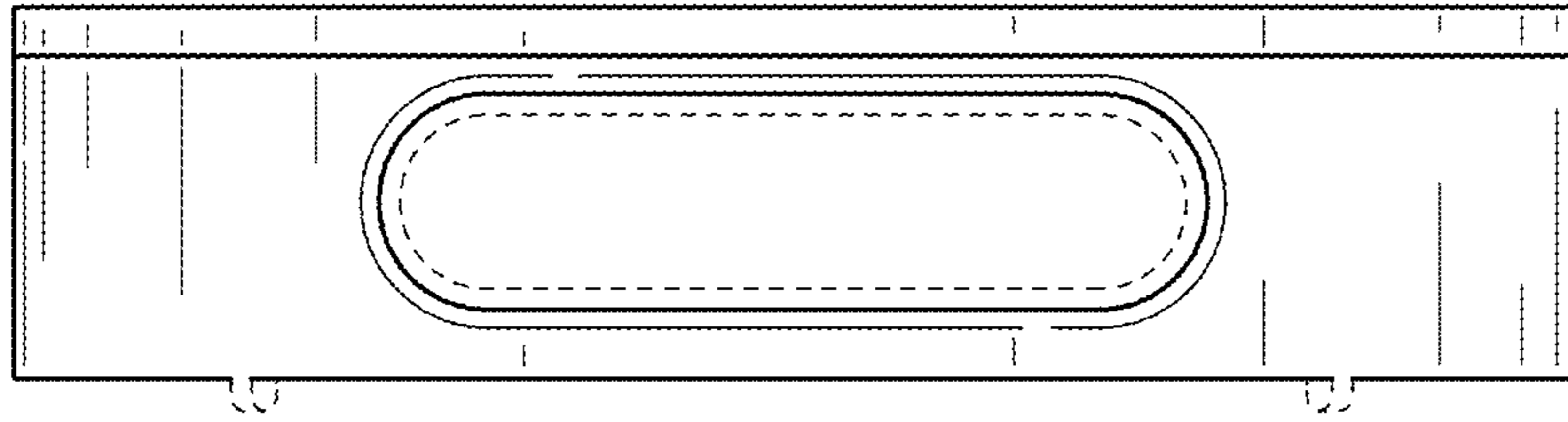


FIG. 3

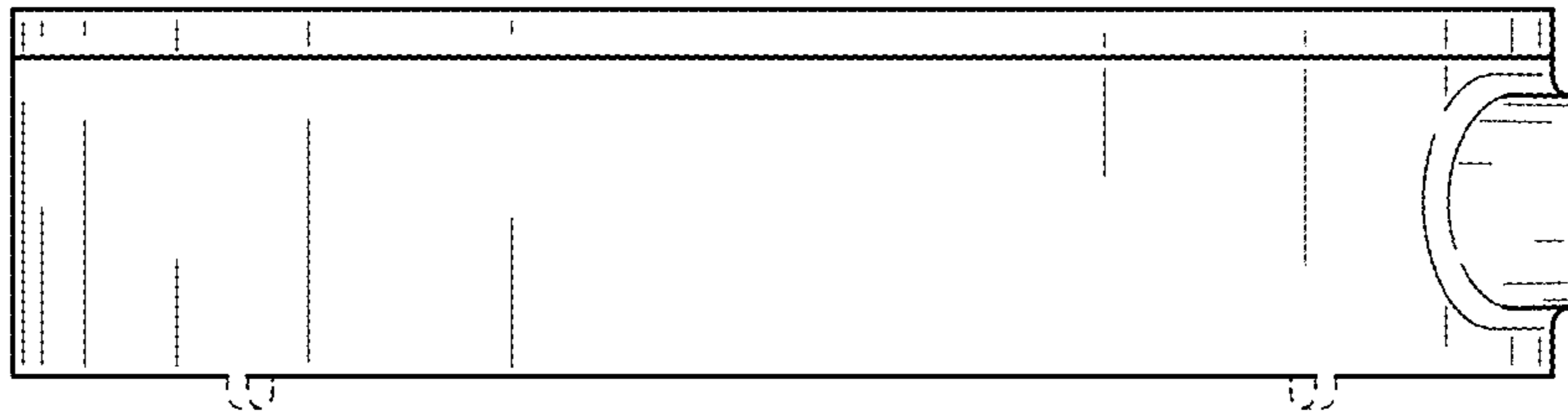


FIG. 4

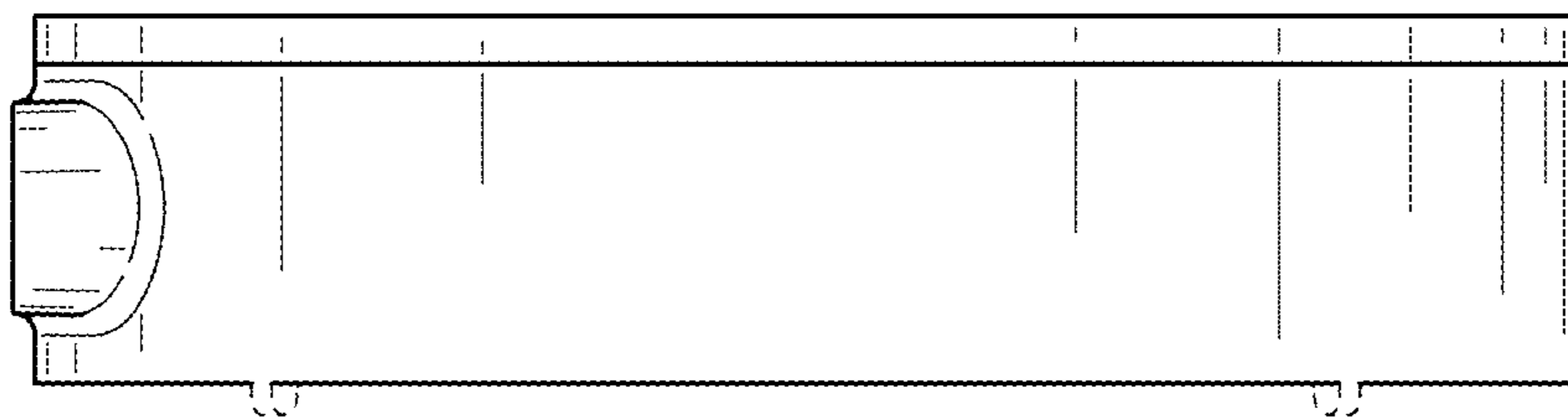


FIG. 5

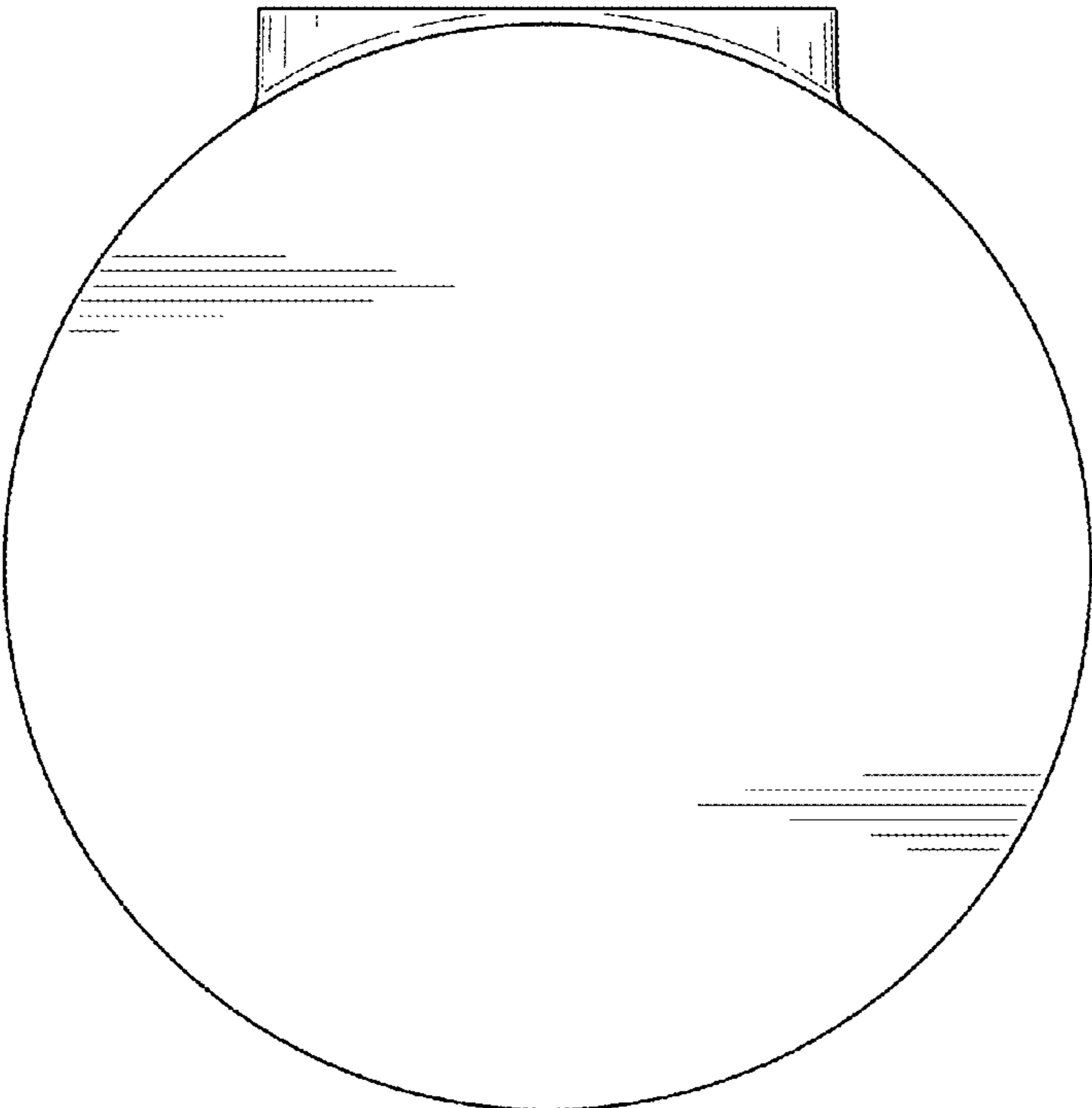


FIG. 6

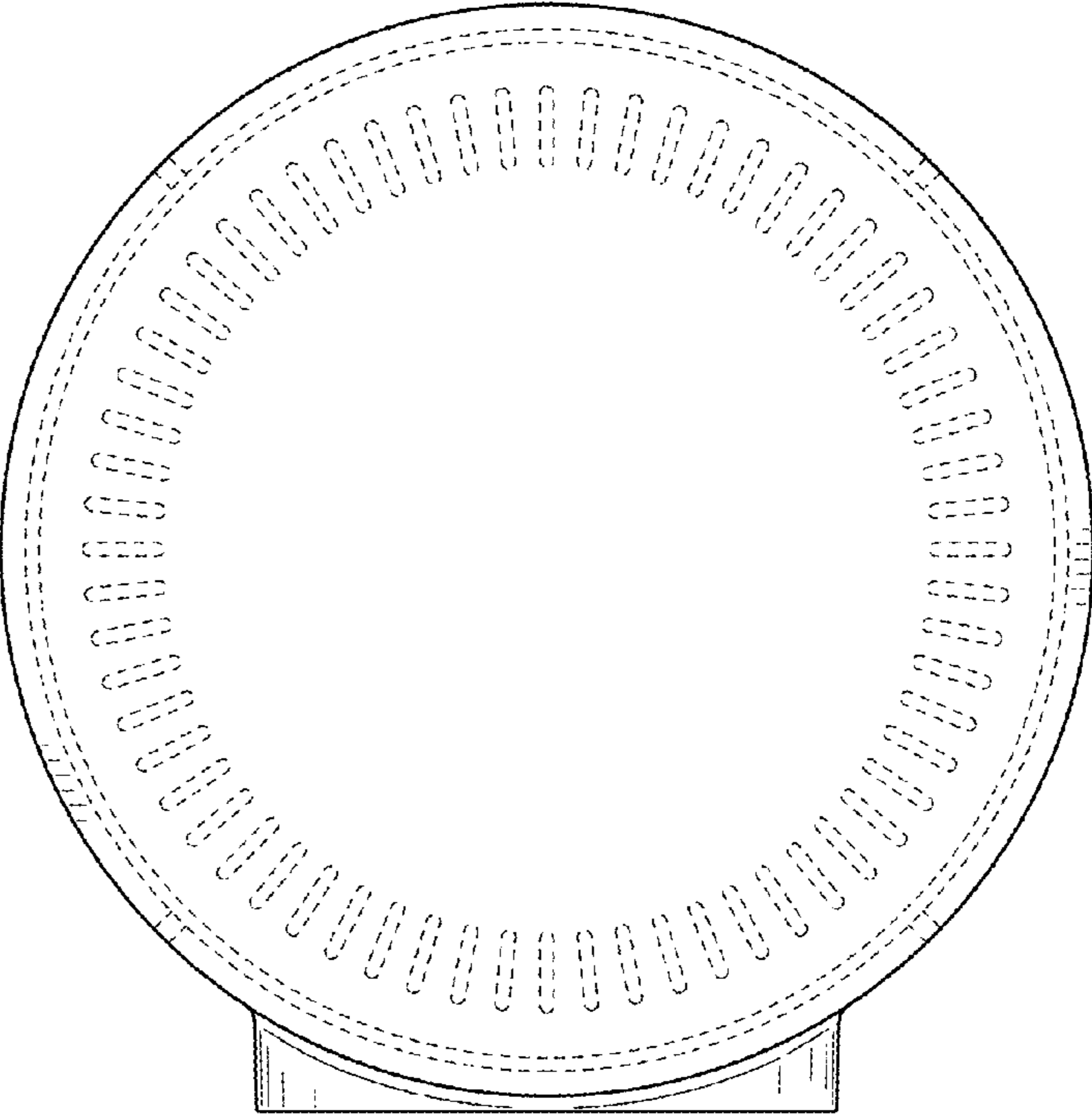


FIG. 7

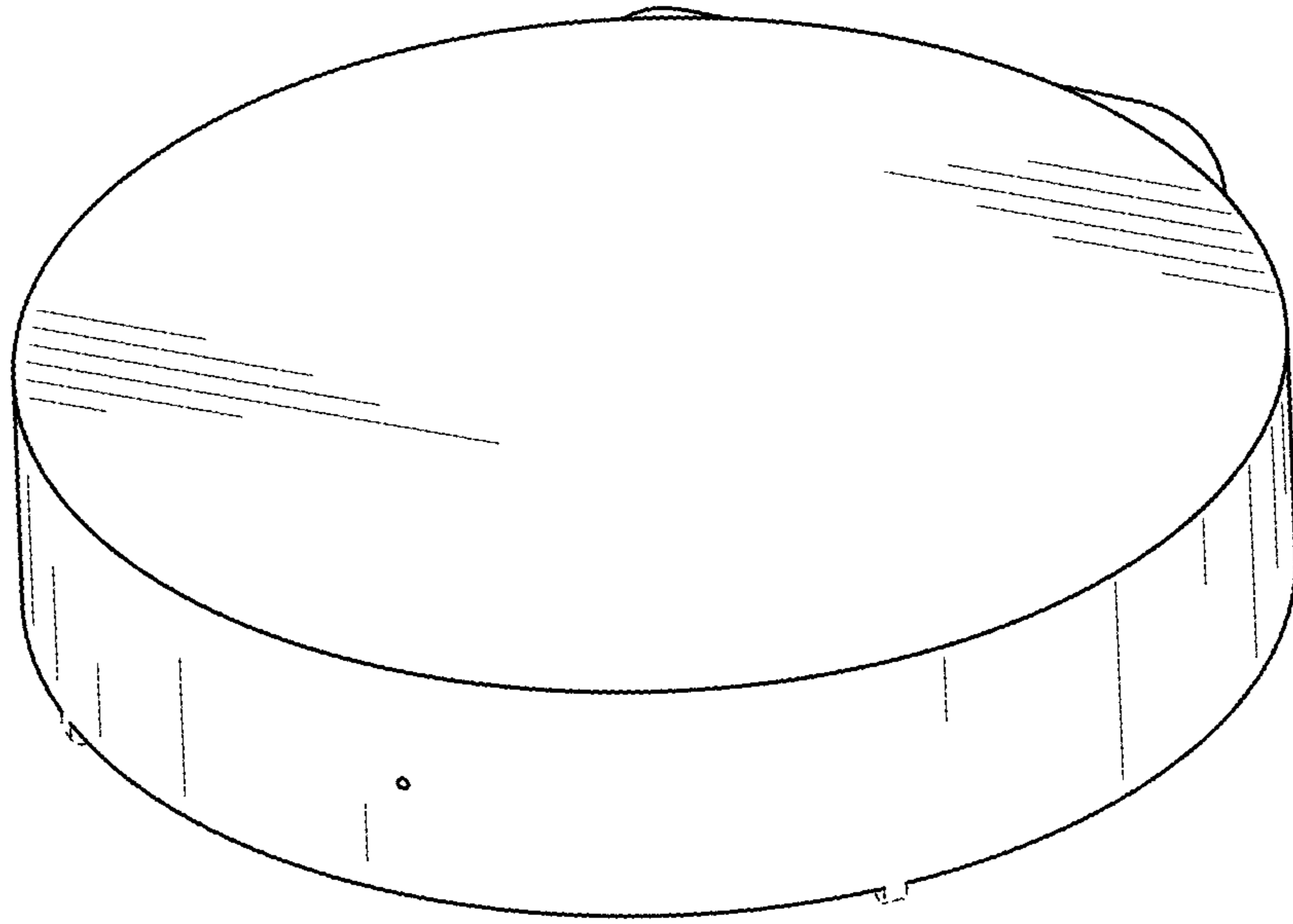


FIG. 8

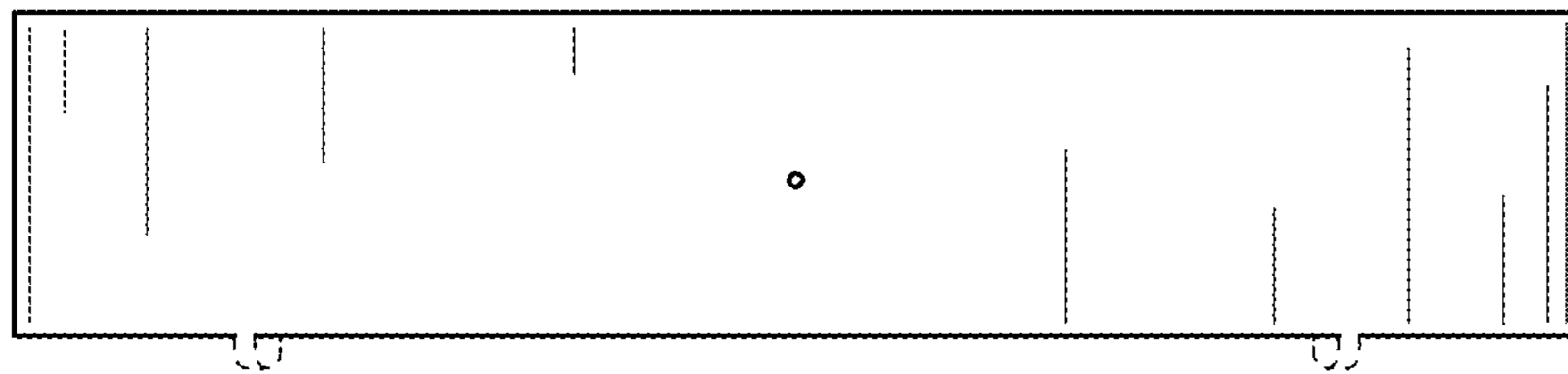


FIG. 9

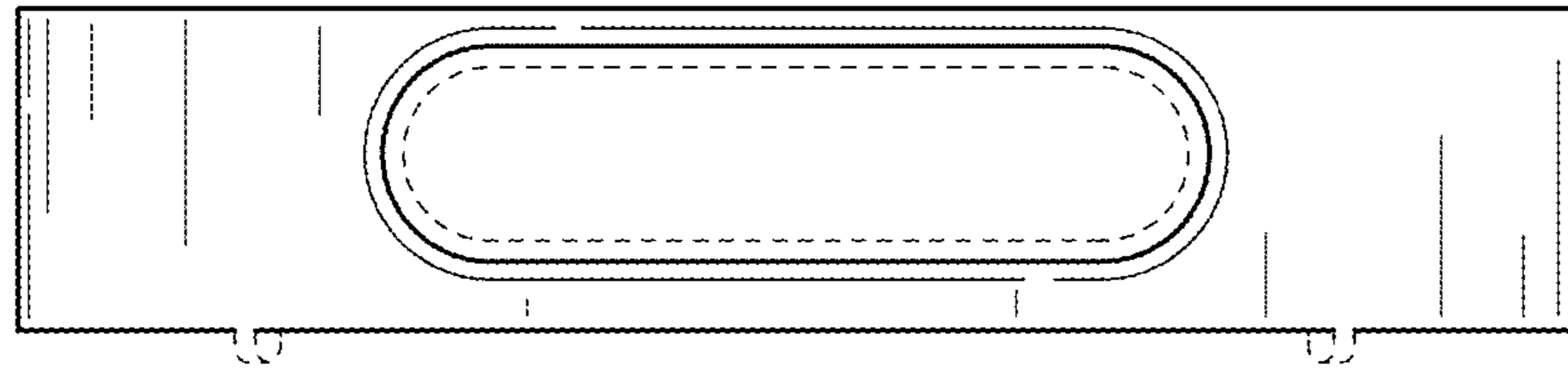


FIG. 10

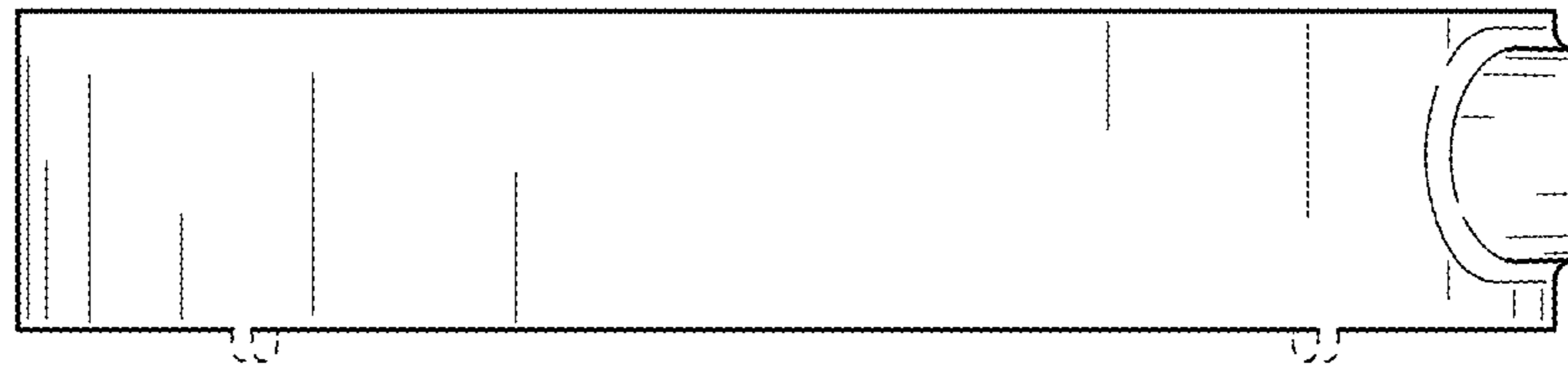


FIG. 11

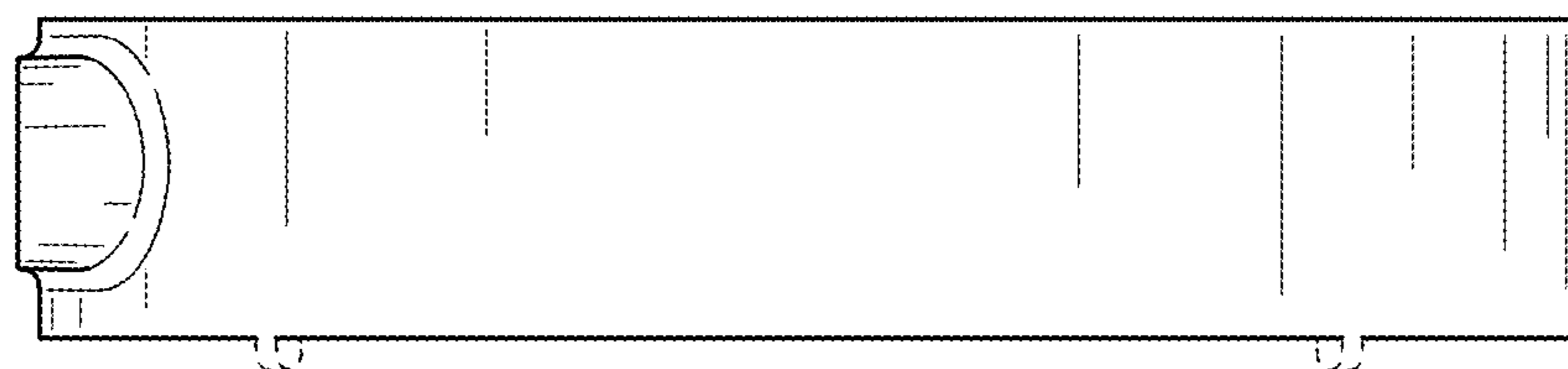


FIG. 12

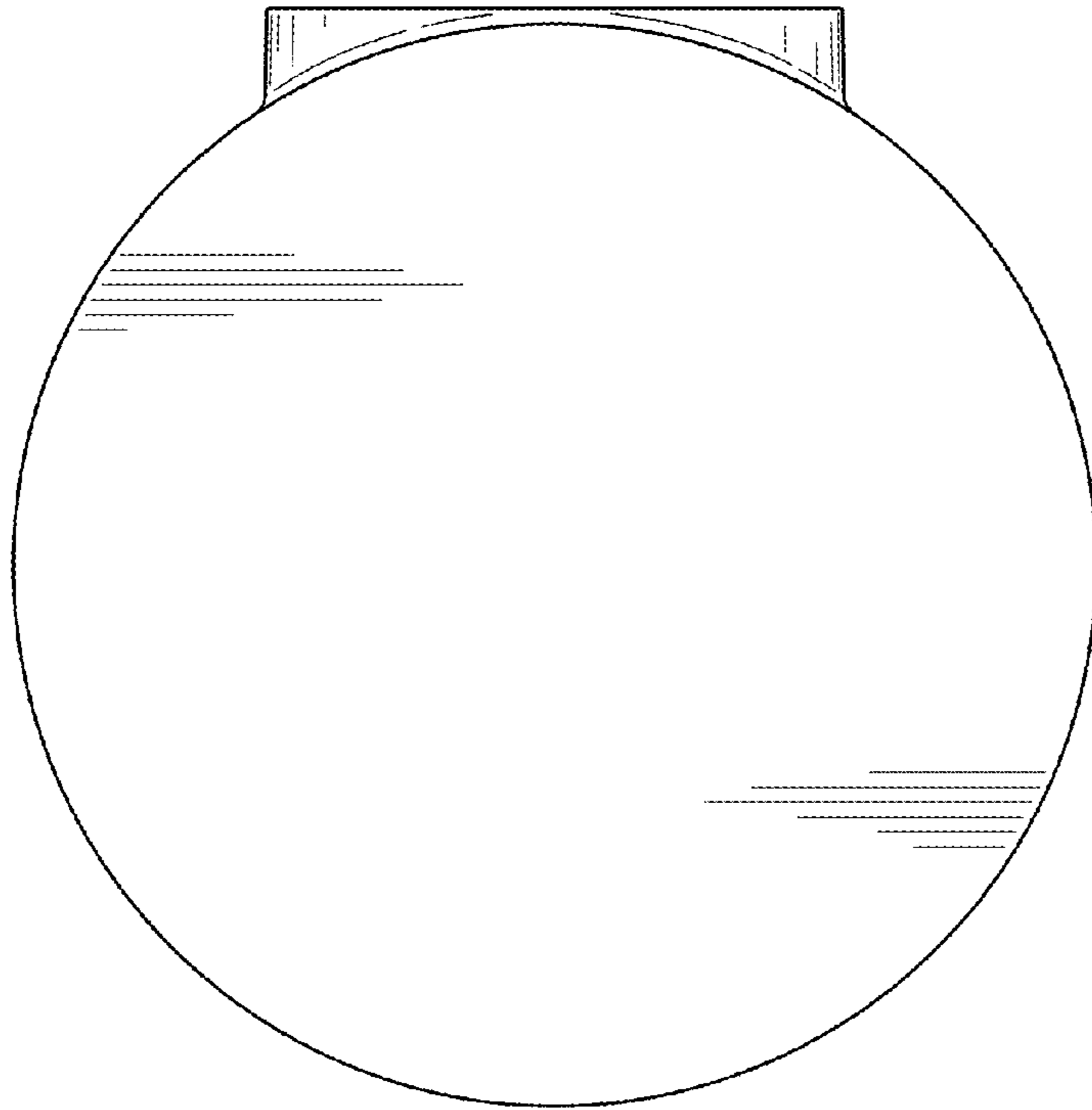


FIG. 13

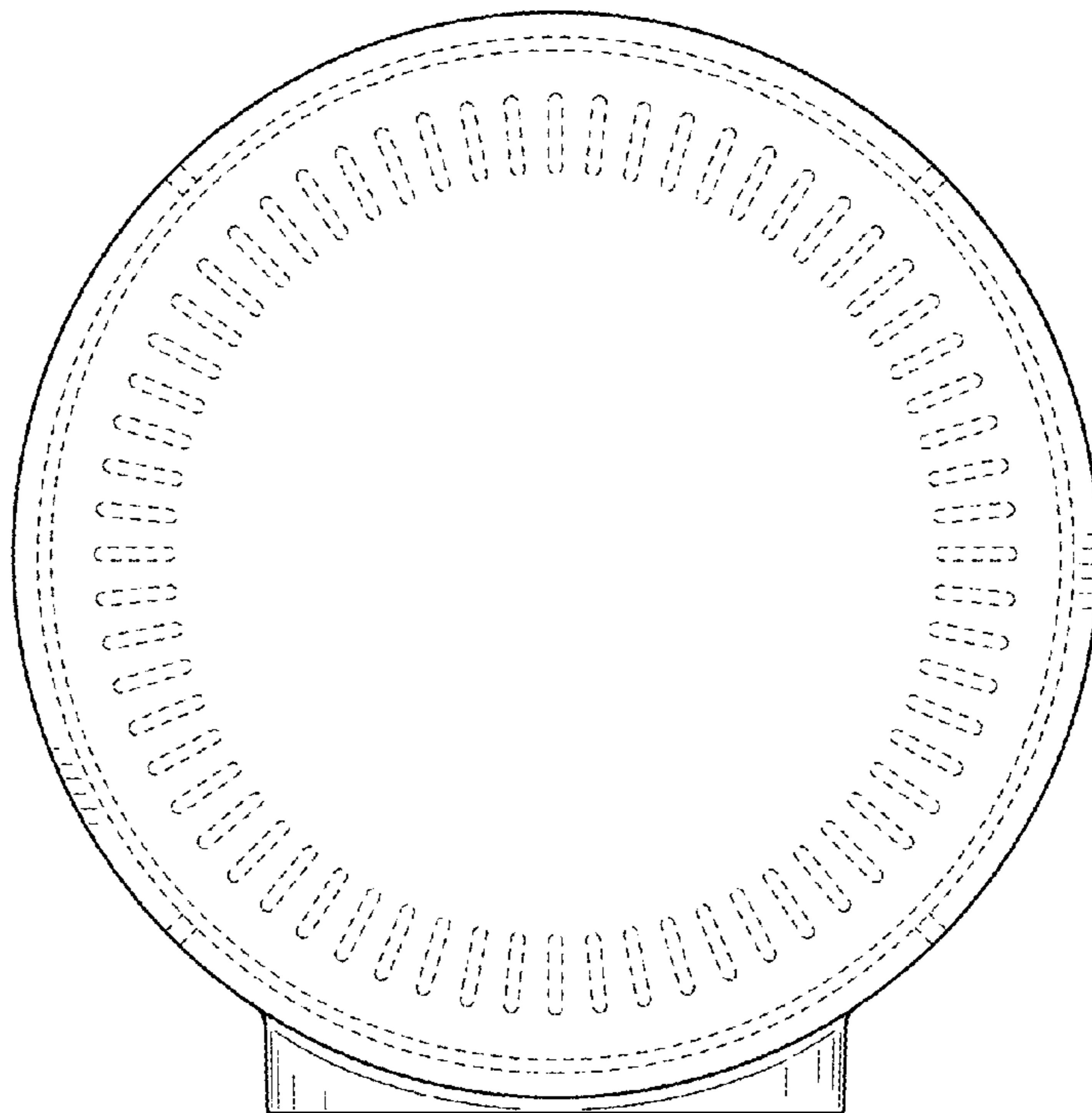


FIG. 14