



US00D747225S

(12) **United States Design Patent**
Decook et al.

(10) **Patent No.:** **US D747,225 S**

(45) **Date of Patent:** **** Jan. 12, 2016**

(54) **MOUNTING BRACKET AND A COMBINATION OF A MOUNTING BRACKET AND A SENSING MODULE**

D398,820 S * 9/1998 Cougar D8/14
D408,266 S * 4/1999 Santiago D8/354

(Continued)

(71) Applicant: **ITT MANUFACTURING ENTERPRISES LLC.**, Wilmington, DE (US)

Primary Examiner — Antoine D Davis

(72) Inventors: **Bradley C. Decook**, Victor, NY (US);
Daniel J. Kernan, Liverpool, NY (US);
Jeffrey Sullivan, Syracuse, NY (US);
Mark A. Playford, Seneca Falls, NY (US)

(57) **CLAIM**

The ornamental design for a mounting bracket and a combination of a mounting bracket and a sensing module, as shown and described.

(73) Assignee: **ITT MANUFACTURING ENTERPRISES LLC.**, Wilmington, DE (US)

DESCRIPTION

(**) Term: **14 Years**

(21) Appl. No.: **29/516,282**

(22) Filed: **Jan. 30, 2015**

(51) **LOC (10) Cl.** **10-04**

(52) **U.S. Cl.**
USPC **D10/60; D8/381**

(58) **Field of Classification Search**
USPC D8/354, 380, 381; D10/60
CPC Y10S 248/00; Y10S 248/904; Y10S 248/917; Y10S 248/918; Y10S 248/919; Y10S 248/92; Y10S 248/921; Y10S 248/922; Y10S 248/923
See application file for complete search history.

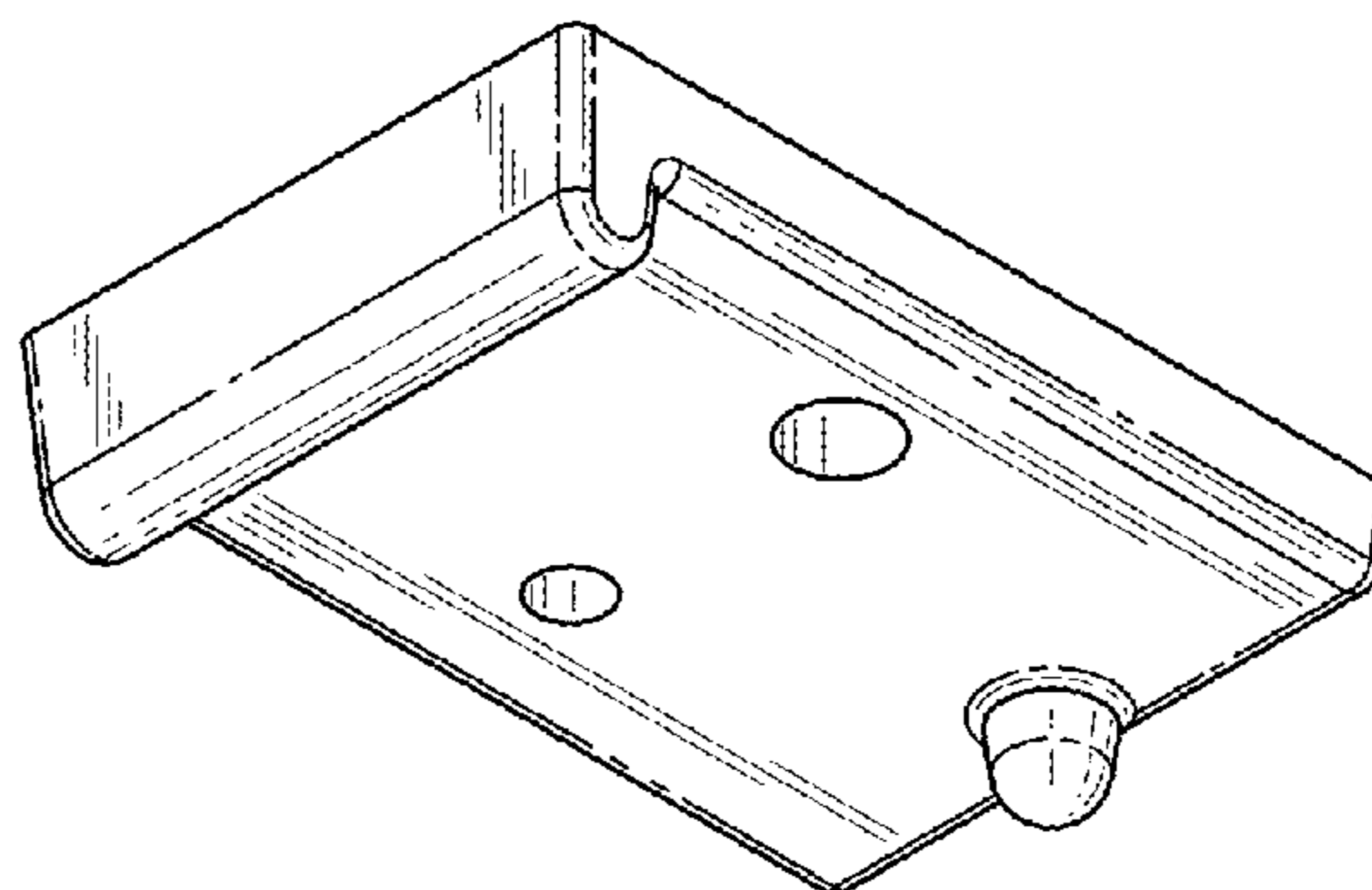
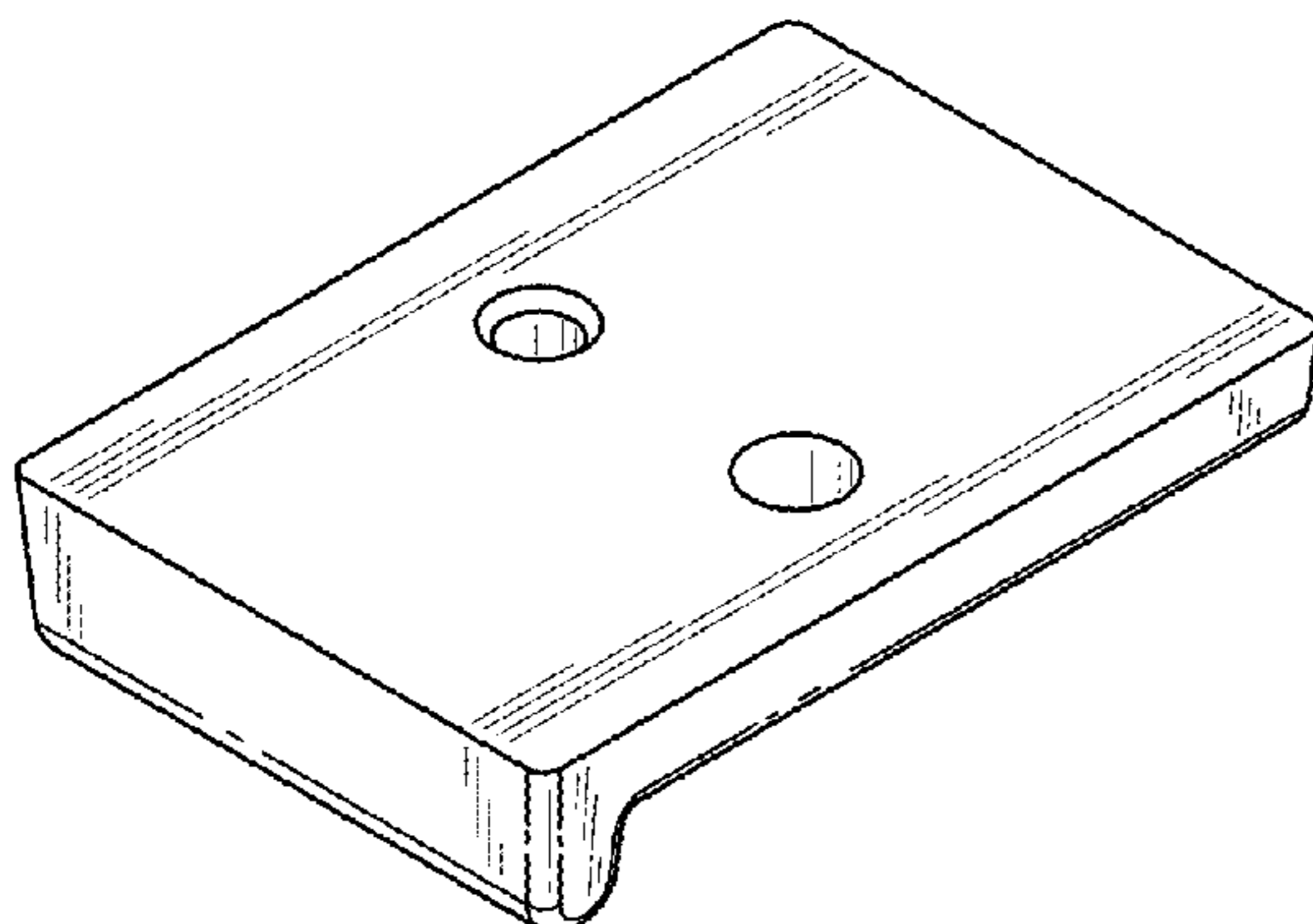
FIG. 1 is a top front perspective view of a mounting bracket according to a first embodiment of the present invention; FIG. 2 is a bottom front perspective view of the mounting bracket shown in FIG. 1; FIG. 3 is a side view of the mounting bracket shown in FIG. 1; FIG. 4 is a corresponding side view (from the other side) of the mounting bracket shown in FIG. 3; FIG. 5 is a top view of the mounting bracket shown in FIG. 1; FIG. 6 is a bottom view of the mounting bracket shown in FIG. 1; FIG. 7 is a front view of the mounting bracket shown in FIG. 1; and FIG. 8 is a back view of the mounting bracket shown in FIG. 1.
FIG. 9 is a top front perspective view of a combination of the mounting bracket shown in FIG. 1 with a sensing module attached thereto, according to a second embodiment of the present invention; FIG. 10 is a bottom front perspective view of the combination shown in FIG. 9; FIG. 11 is a side view of the combination shown in FIG. 9; FIG. 12 is a corresponding side view (from the other side) of the combination shown in FIG. 9; FIG. 13 is a top view of the combination shown in FIG. 9; FIG. 14 is a bottom view of the combination shown in FIG. 9; FIG. 15 is a front view of the combination shown in FIG. 9; and, FIG. 16 is a back view of the combination shown in FIG. 9.

(56) **References Cited**

U.S. PATENT DOCUMENTS

D202,145 S	8/1965	Shroeder et al.	
D303,670 S	9/1989	Adolfo	
D327,272 S	6/1992	Cadotte et al.	
D329,197 S *	9/1992	Tibbs	D8/380
5,150,568 A	9/1992	White	
D344,028 S	2/1994	Byar	
D349,710 S	8/1994	Moro	

1 Claim, 4 Drawing Sheets



(56)

References Cited

U.S. PATENT DOCUMENTS

D410,855 S 6/1999 Gordon
D447,148 S 8/2001 Antony et al.
D460,699 S 7/2002 Amborn et al.
D460,922 S 7/2002 Amborn et al.
6,941,785 B2 9/2005 Haynes et al.
D533,547 S * 12/2006 Sergi D14/238
D549,250 S 8/2007 Salomaa et al.
D549,254 S 8/2007 Salomaa et al.

D549,737 S 8/2007 Chu
D562,849 S 2/2008 Buitenhuis et al.
D566,648 S * 4/2008 Lee D12/415
D586,670 S 2/2009 Playford et al.
8,123,182 B2 * 2/2012 Sonntag F16M 11/10
248/220.22
8,777,174 B2 * 7/2014 Hynell G06F 1/203
248/346.01
2003/0063826 A1 4/2003 Cevasco et al.

* cited by examiner

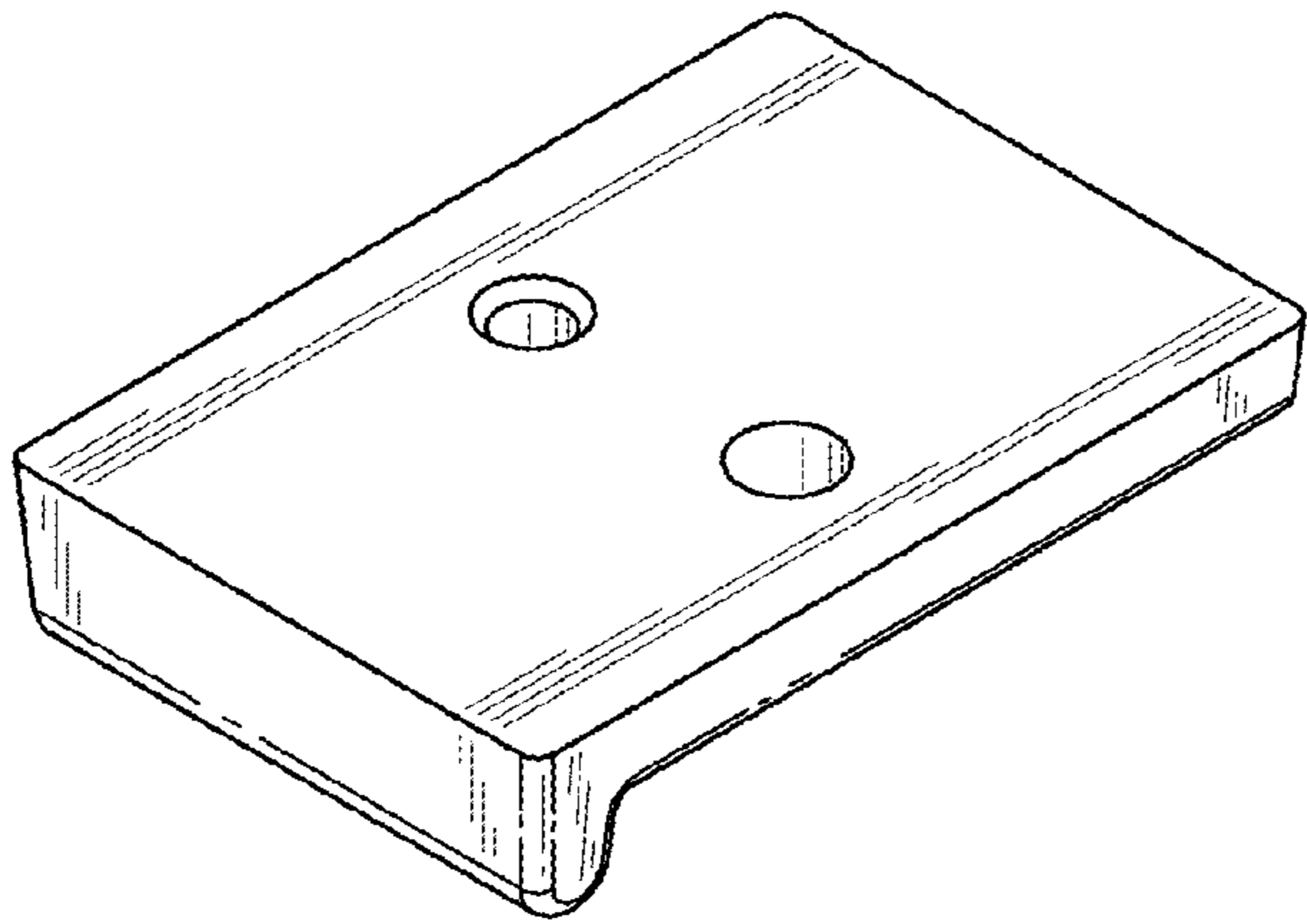


FIG. 1

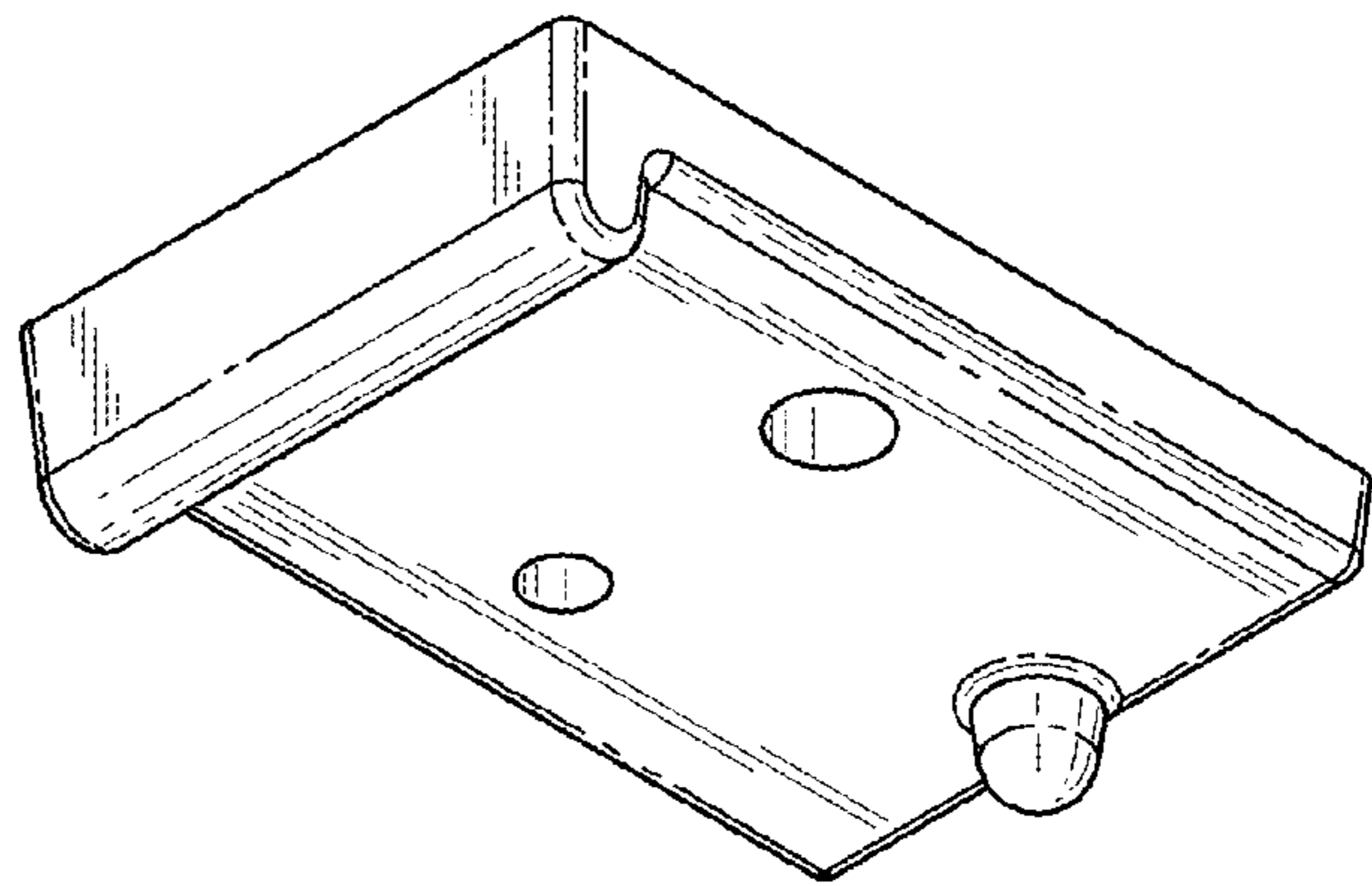


FIG. 2



FIG. 3

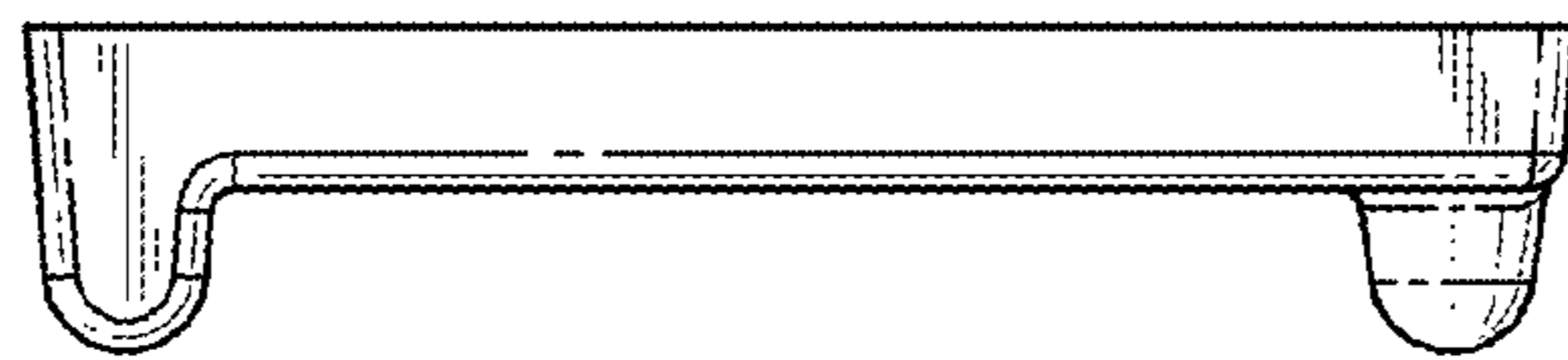


FIG. 4

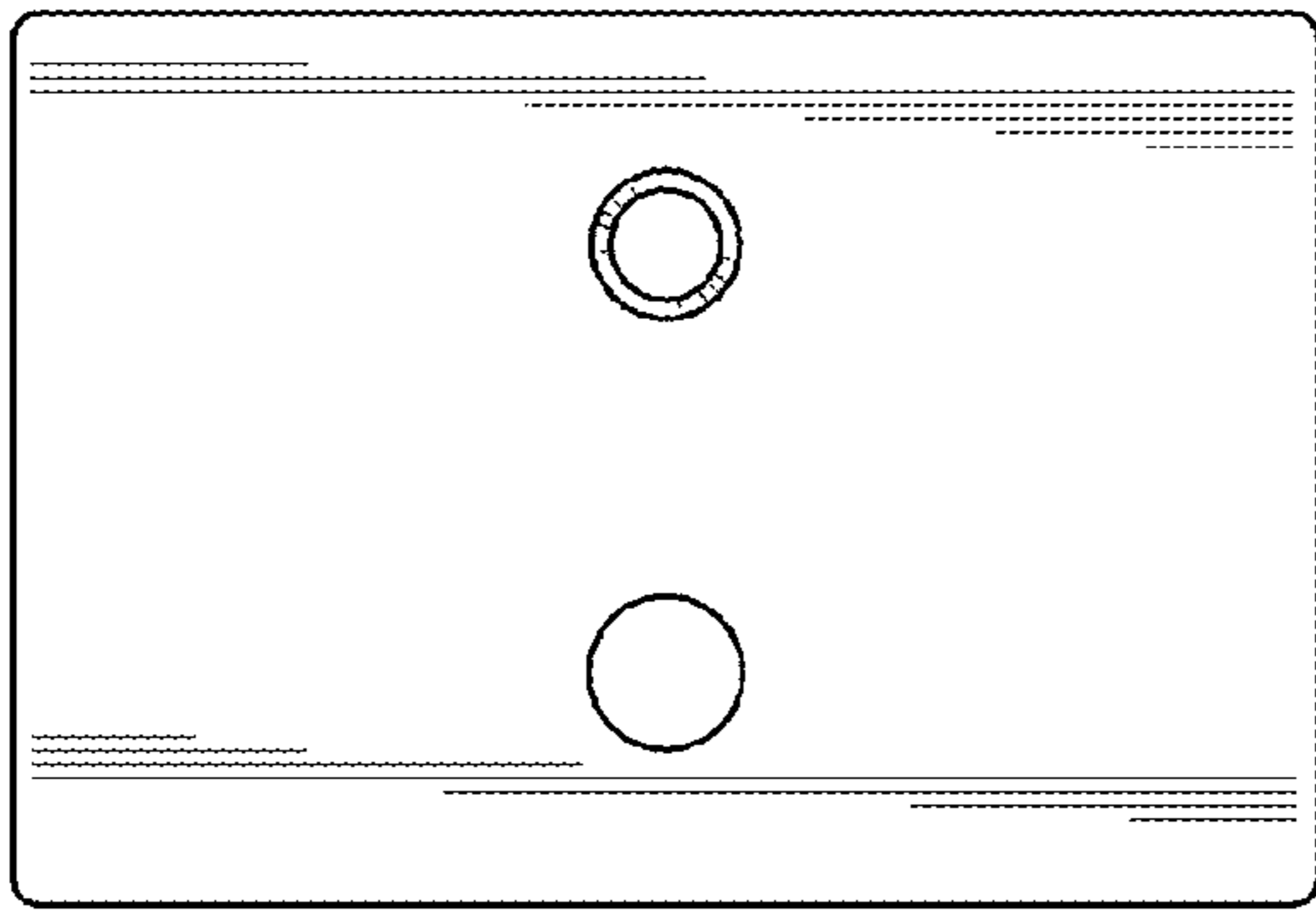


FIG. 5

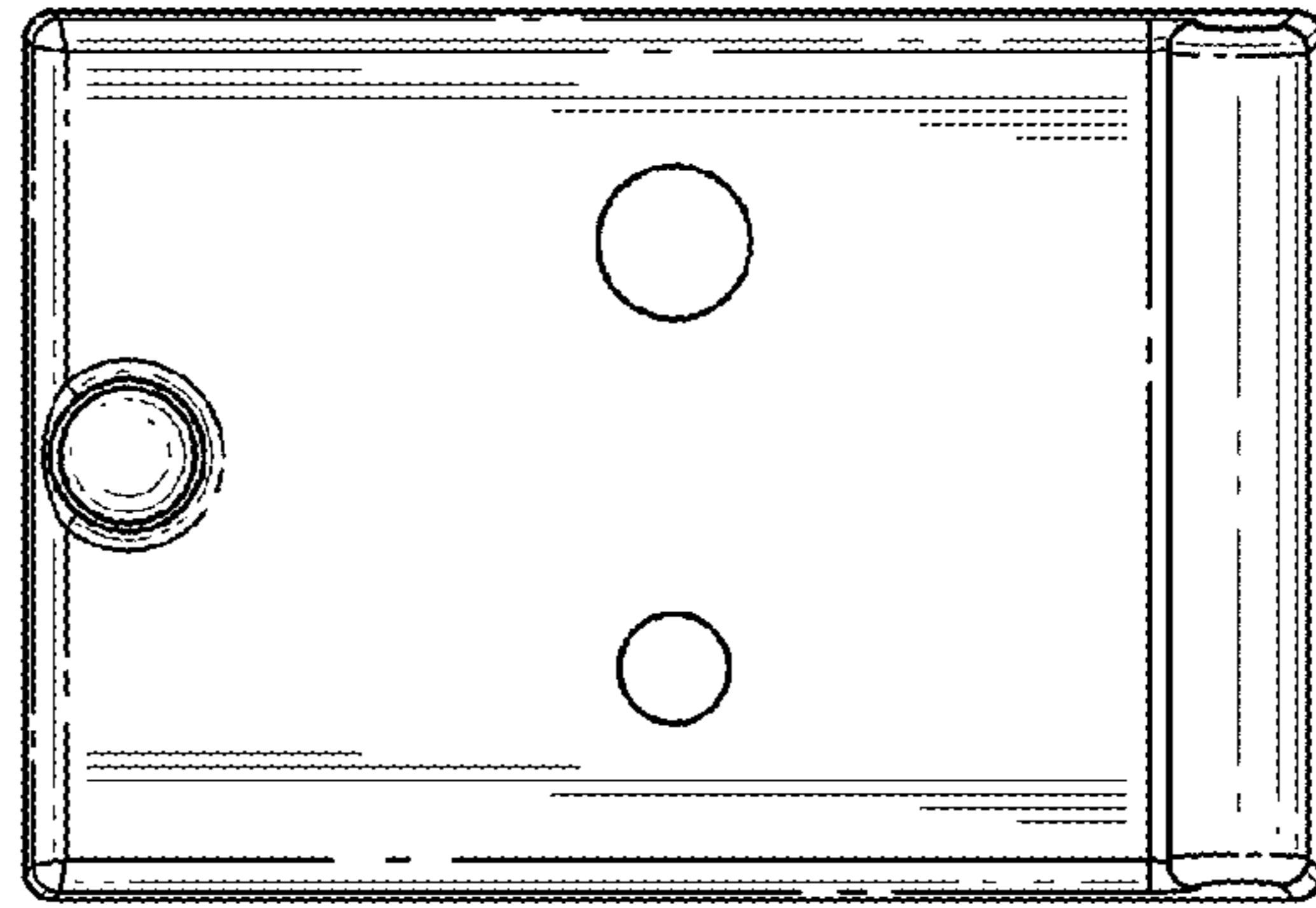


FIG. 6

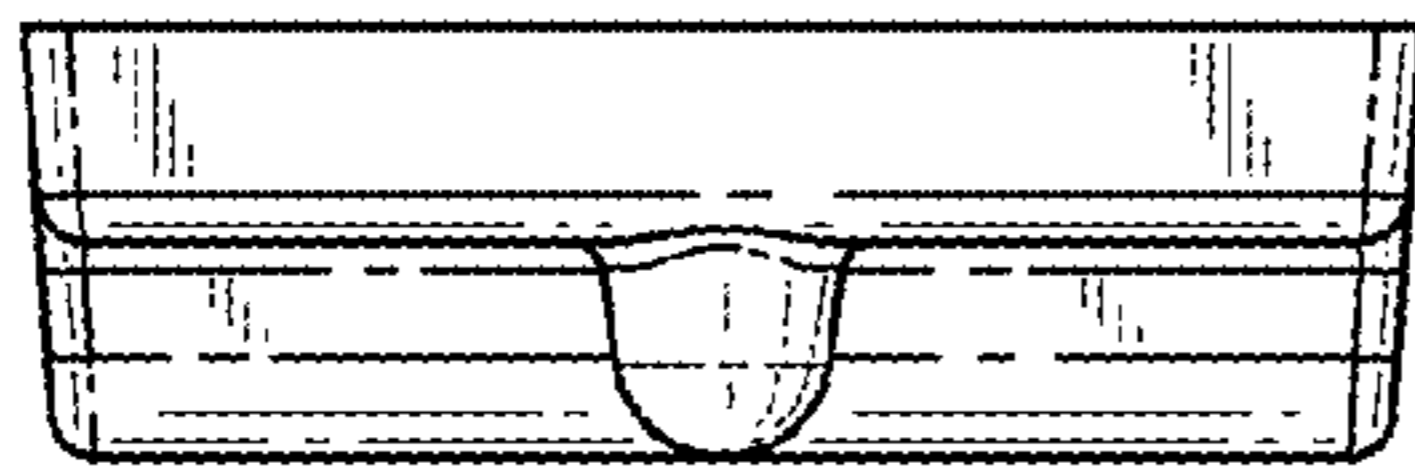


FIG. 7

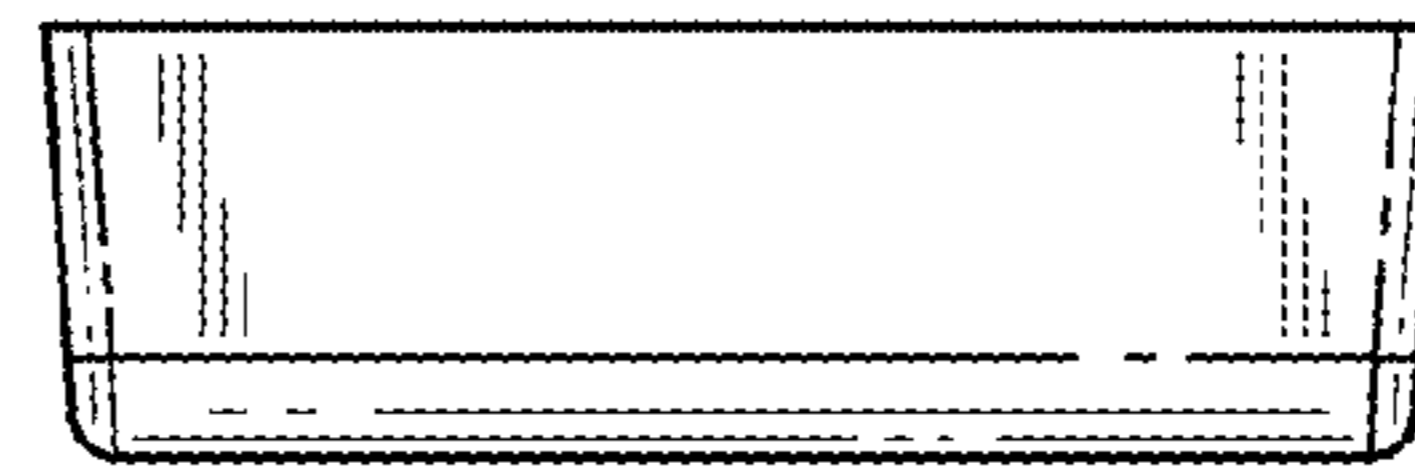


FIG. 8

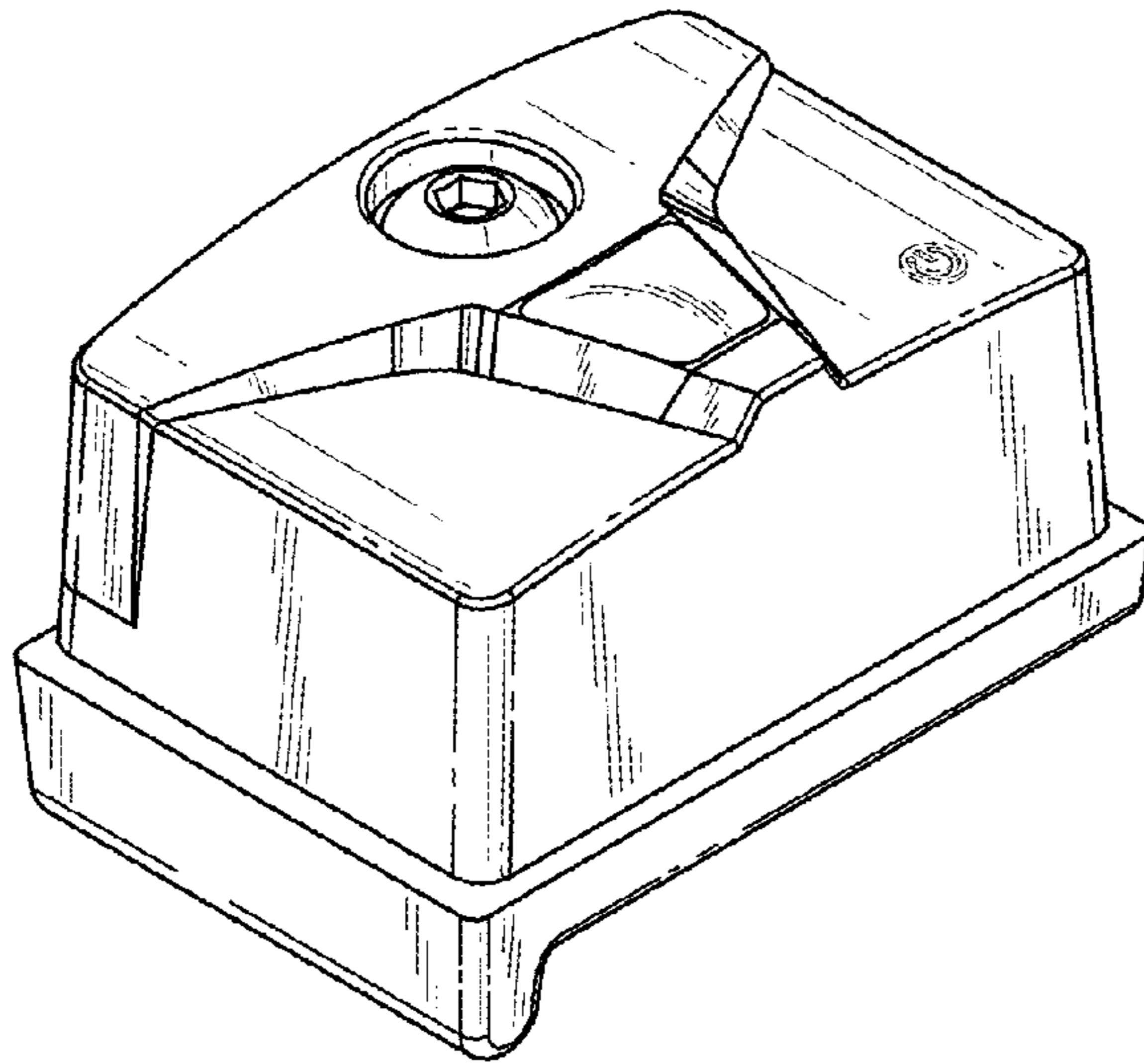


FIG. 9

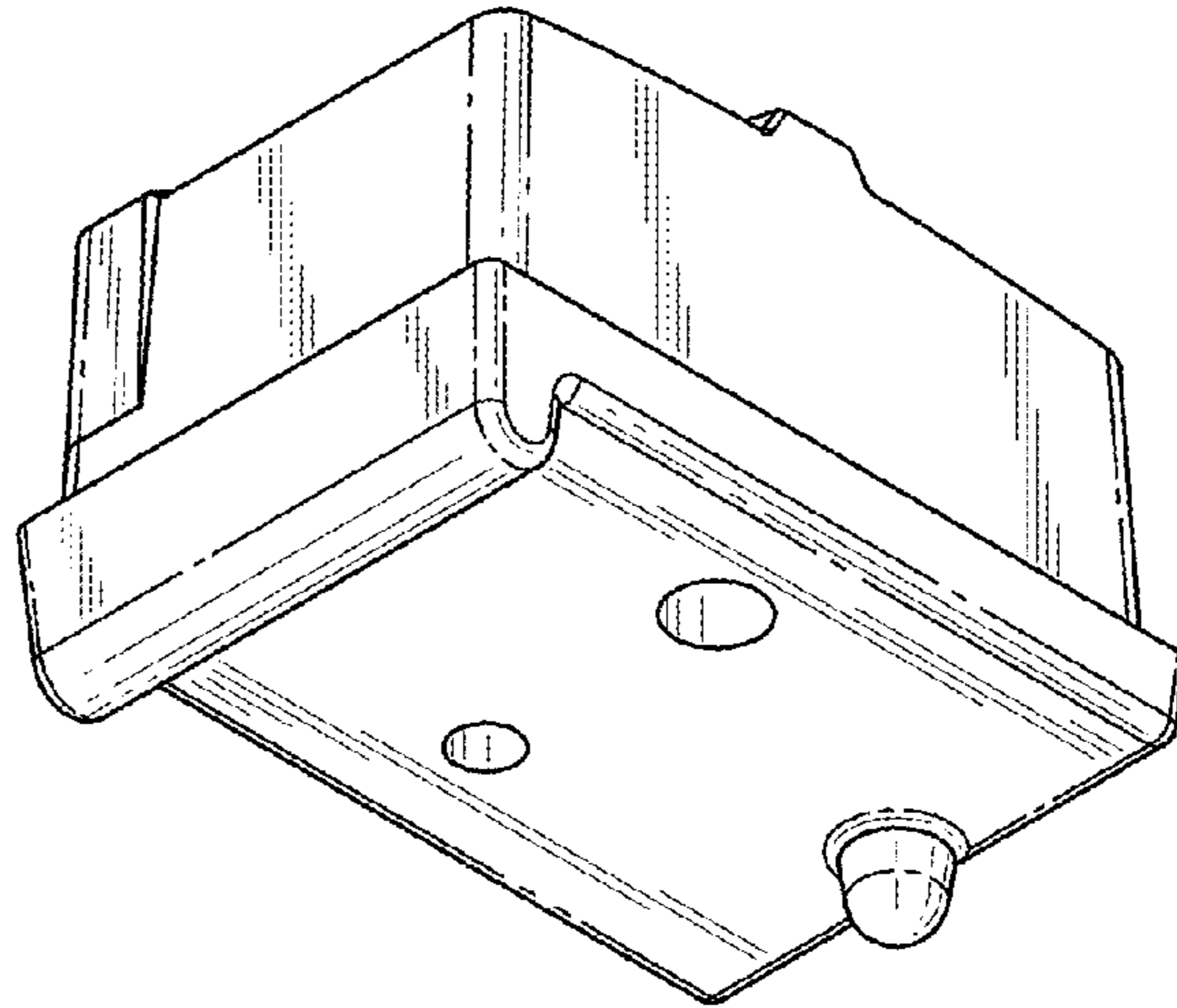


FIG. 10

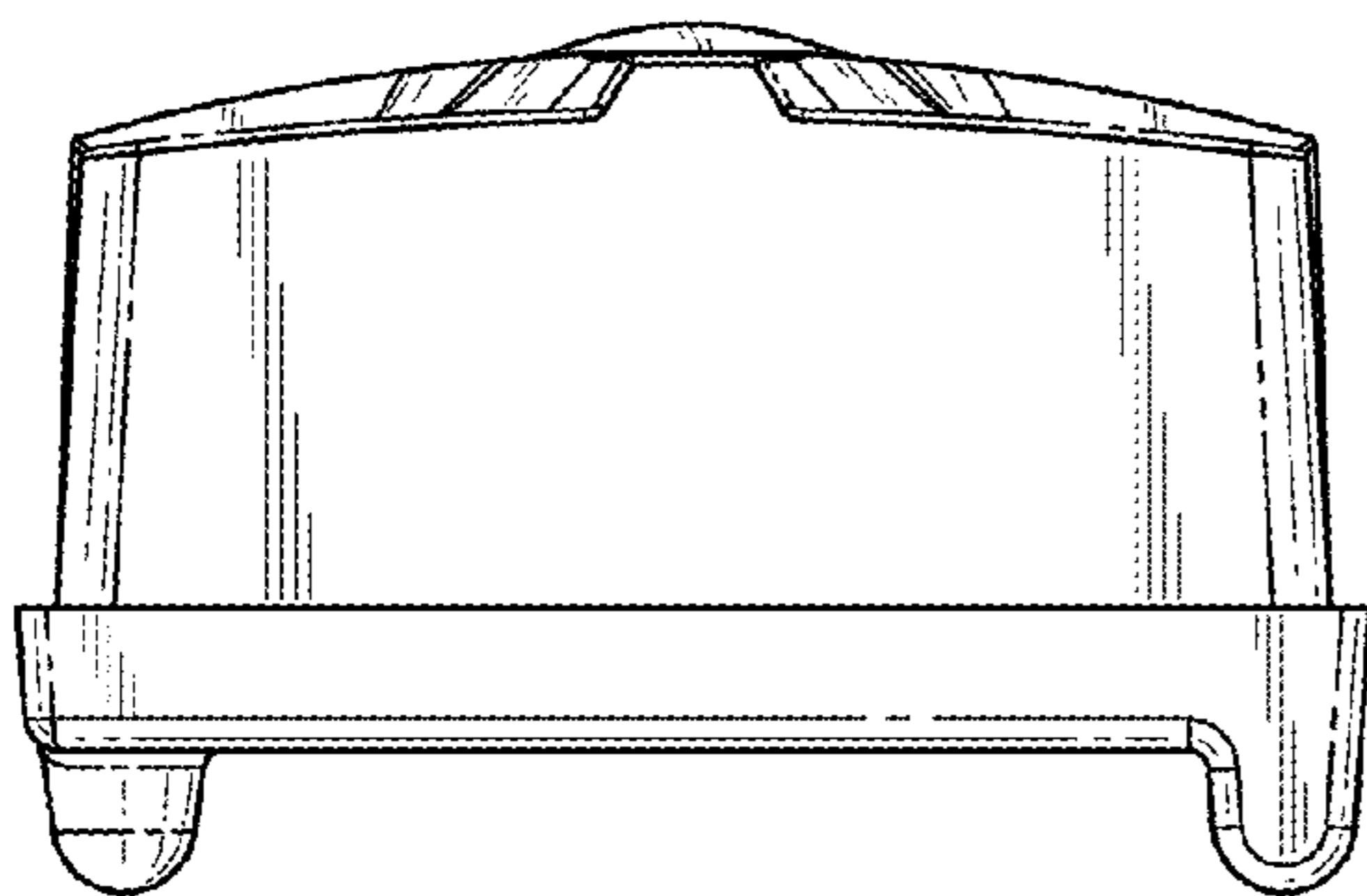


FIG. 11

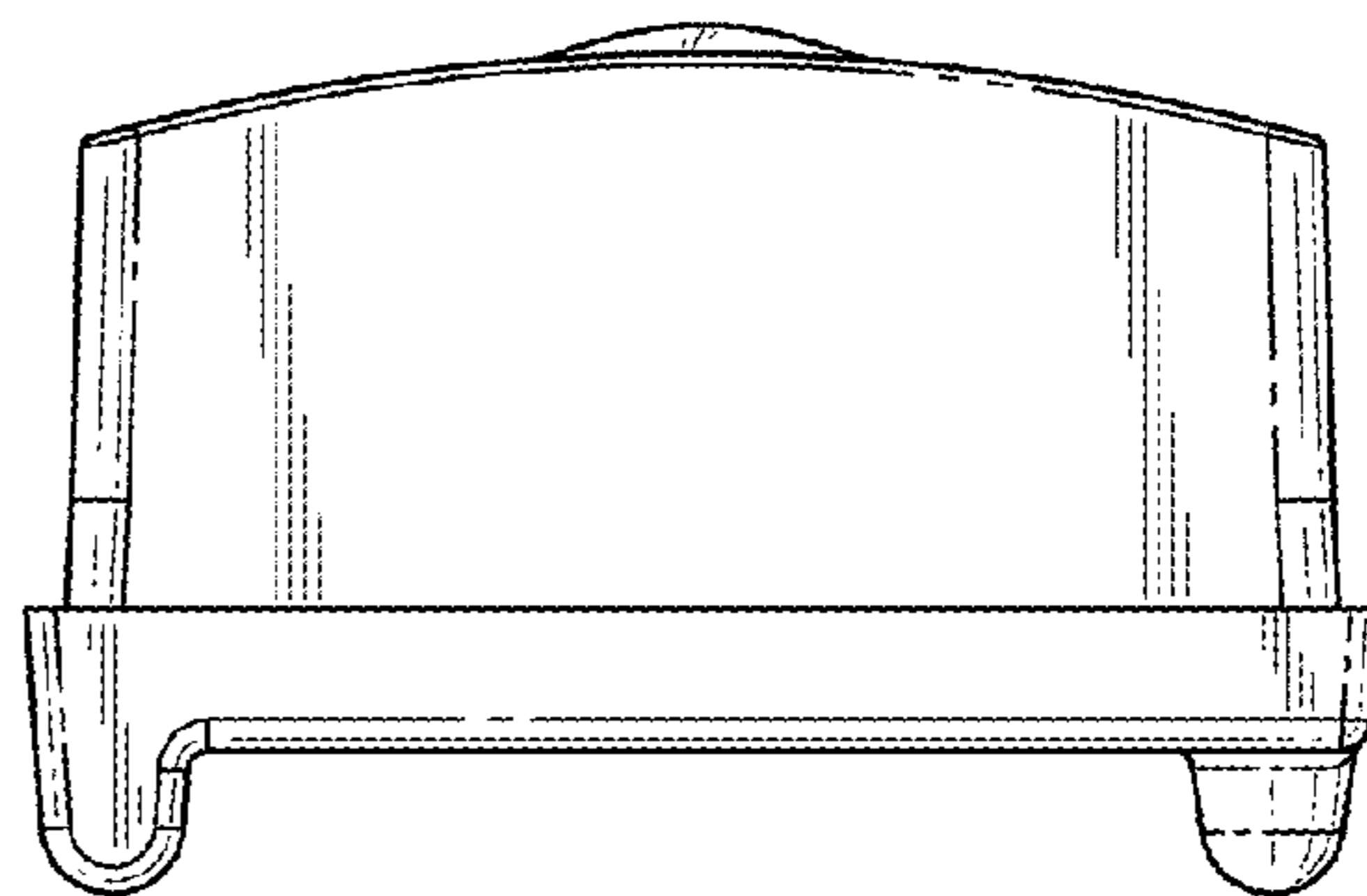


FIG. 12

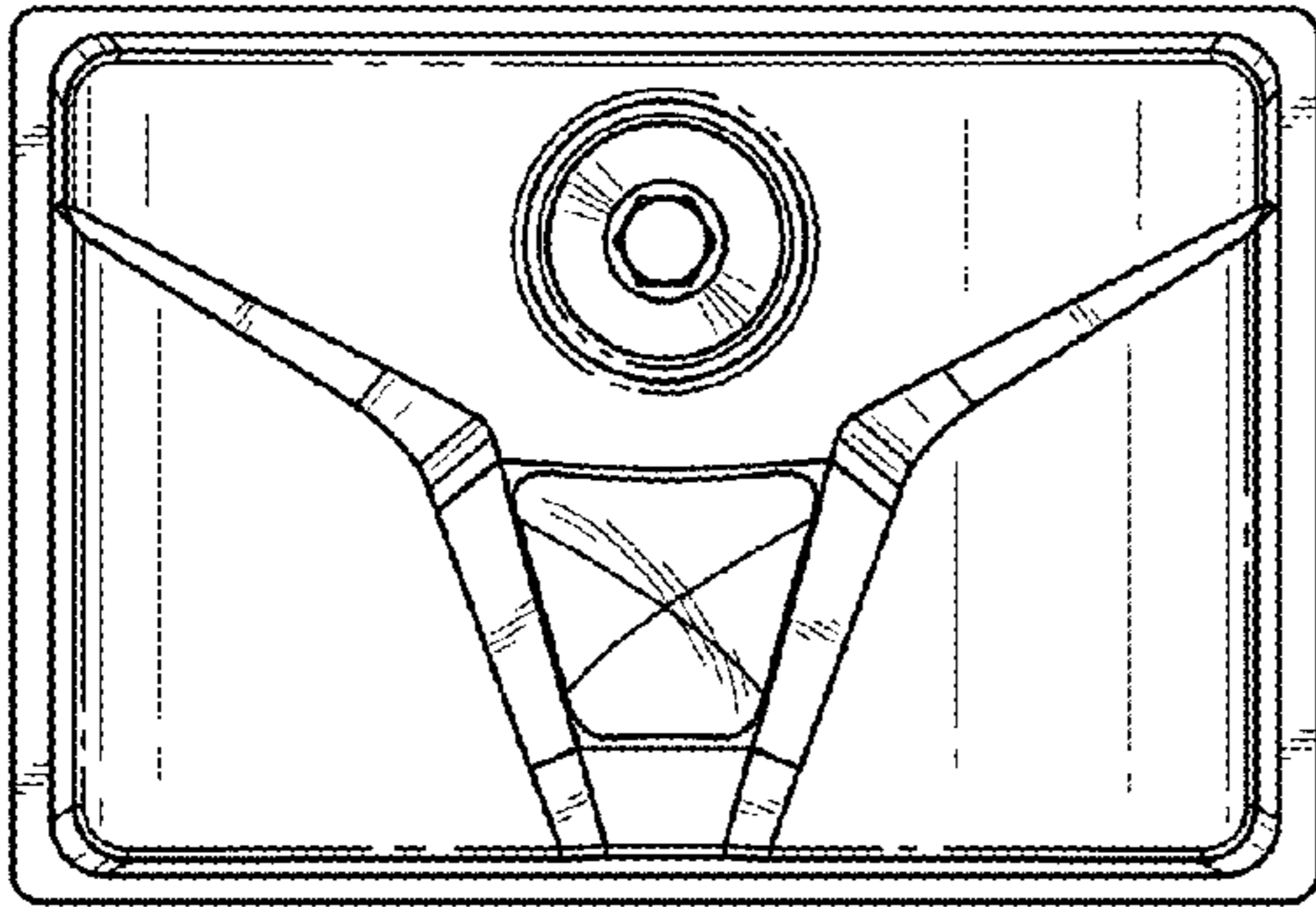


FIG. 13

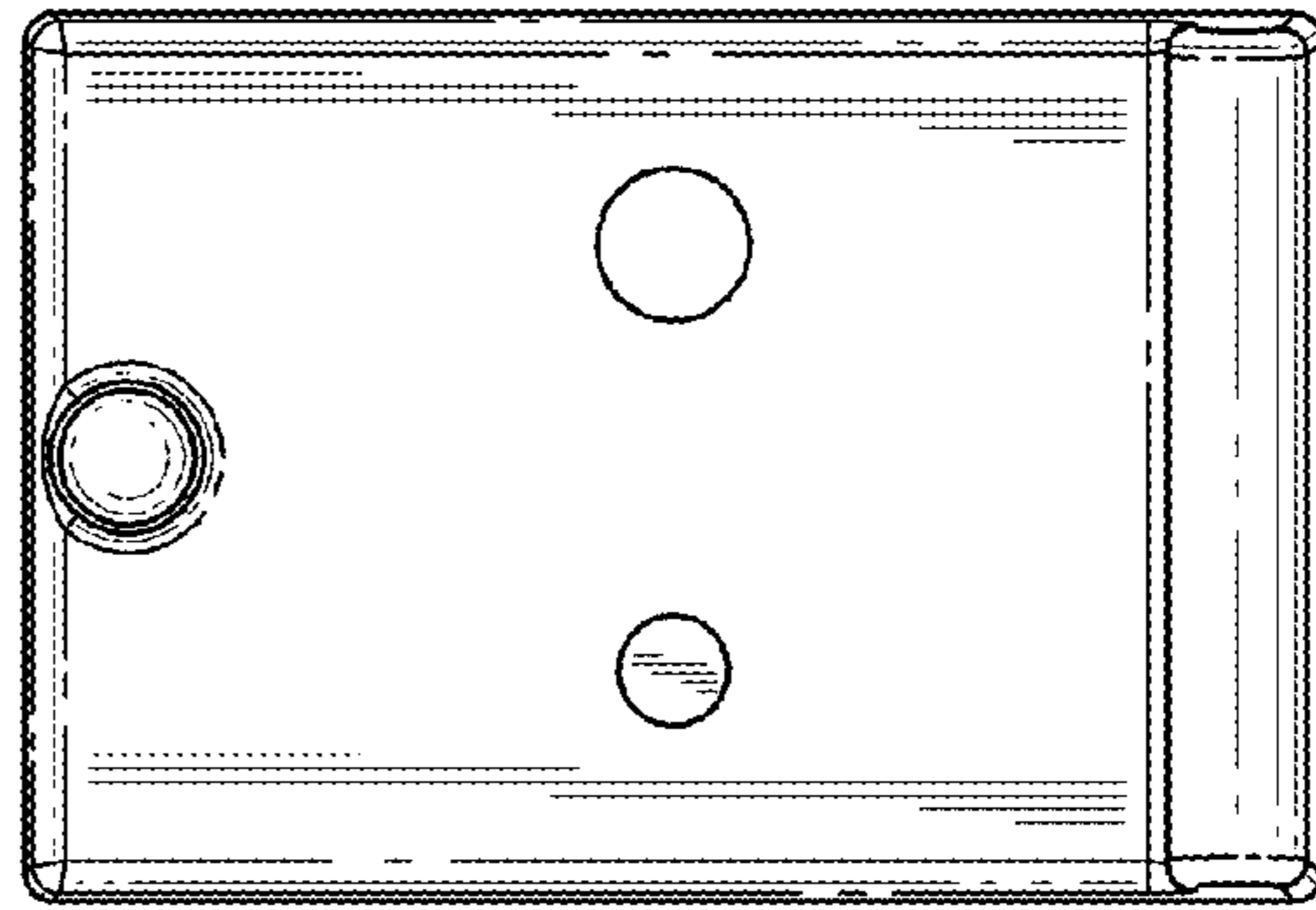


FIG. 14

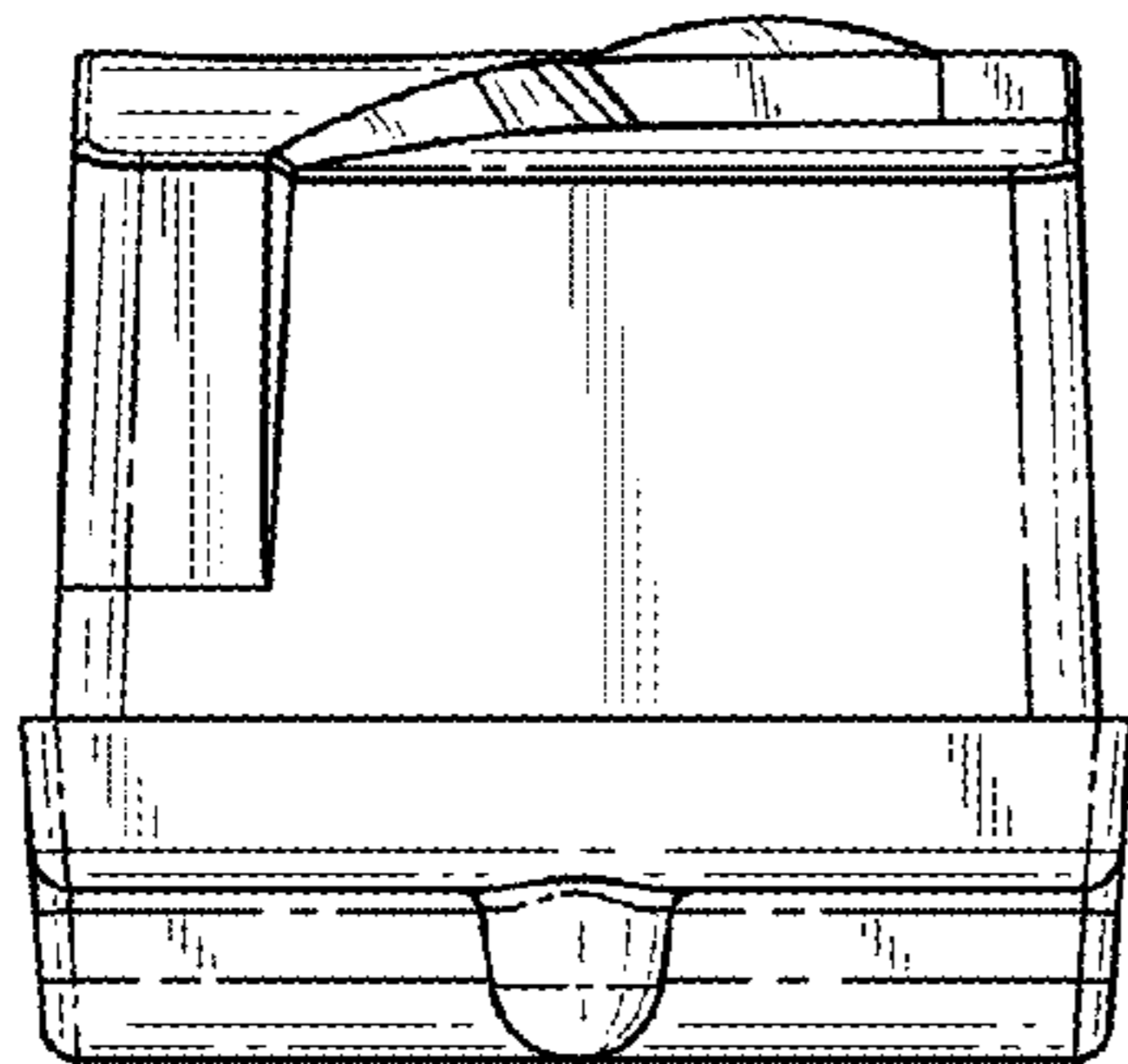


FIG. 15

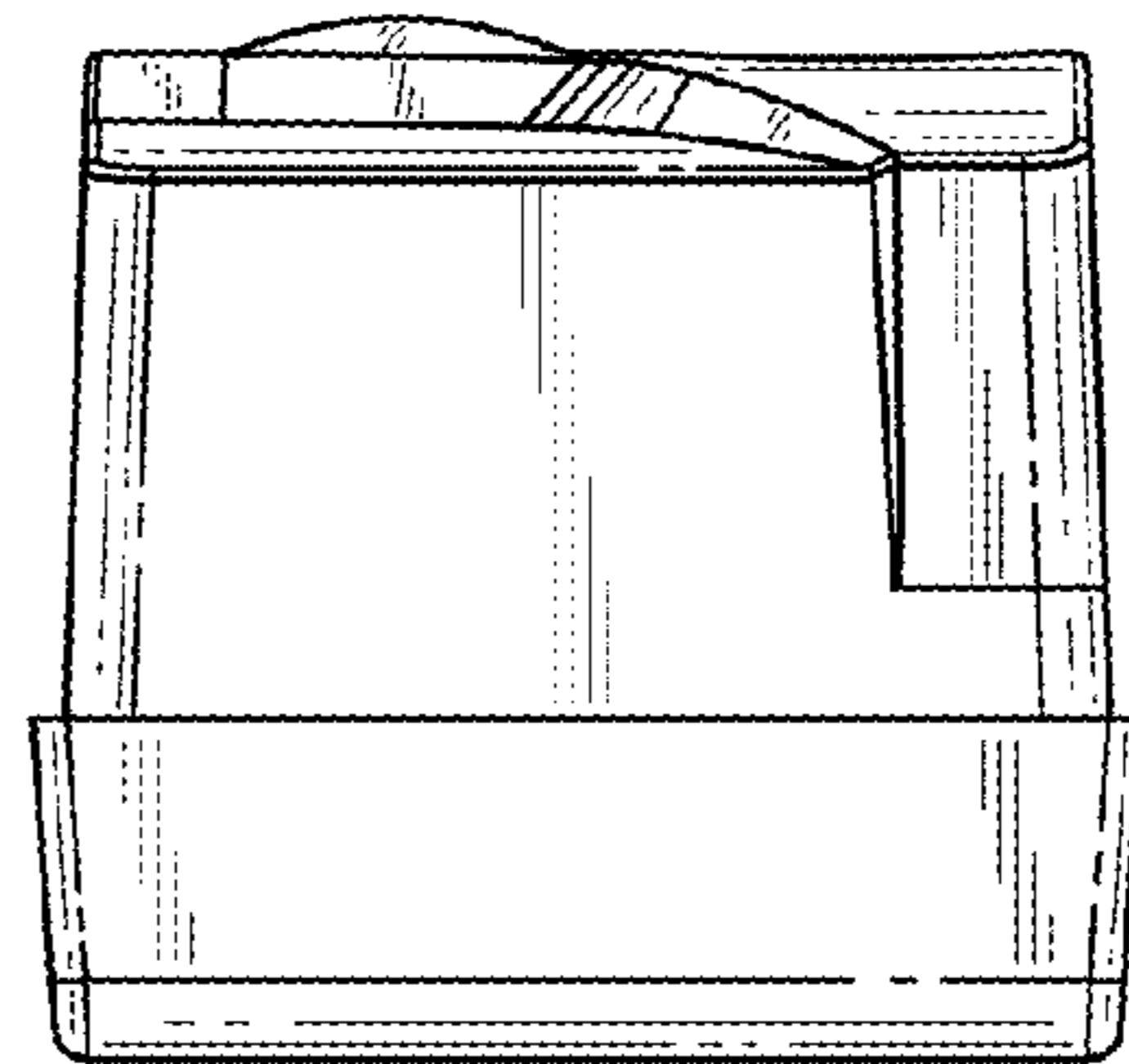


FIG. 16