



US00D747224S

(12) **United States Design Patent**
Decook et al.

(10) **Patent No.:** **US D747,224 S**
(45) **Date of Patent:** **** Jan. 12, 2016**

- (54) **SENSING MODULE**
- (71) Applicant: **ITT MANUFACTURING ENTERPRISES LLC.**, Wilmington, DE (US)
- (72) Inventors: **Bradley C. Decook**, Victor, NY (US); **Daniel J. Kernan**, Liverpool, NY (US); **Jeffrey Sullivan**, Syracuse, NY (US); **Mark A. Playford**, Seneca Falls, NY (US)
- (73) Assignee: **ITT MANUFACTURING ENTERPRISES LLC.**, Wilmington, DE (US)

| | | | |
|-----------------|--------|-------------------|--------|
| D327,272 S | 6/1992 | Cadotte et al. | |
| 5,150,568 A | 9/1992 | White | |
| D344,028 S | 2/1994 | Byar | |
| D349,710 S | 8/1994 | Moro | |
| D410,855 S | 6/1999 | Gordon | |
| D447,148 S | 8/2001 | Antony et al. | |
| D460,699 S | 7/2002 | Amborn et al. | |
| D460,922 S | 7/2002 | Amborn et al. | |
| 6,941,785 B2 | 9/2005 | Haynes et al. | |
| D549,250 S | 8/2007 | Salomaa et al. | |
| D549,254 S | 8/2007 | Salomaa et al. | |
| D549,737 S | 8/2007 | Chu | |
| D562,849 S | 2/2008 | Buitenhuis et al. | |
| D586,670 S | 2/2009 | Playford et al. | |
| D698,670 S * | 2/2014 | Luo | D10/49 |
| D725,505 S * | 3/2015 | Arensmeier | D10/49 |
| 2003/0063826 A1 | 4/2003 | Cevasco et al. | |

(**) Term: **14 Years**

- (21) Appl. No.: **29/516,277**
- (22) Filed: **Jan. 30, 2015**
- (51) **LOC (10) Cl.** **10-04**
- (52) **U.S. Cl.**
USPC **D10/49; D10/52; D10/53; D13/162**
- (58) **Field of Classification Search**
USPC **D10/49, 52, 53; D13/162, 162.1, 177, D13/184**
CPC **A63B 69/00; A63B 69/3632; A63B 69/0026; A63B 69/3611; A63B 69/3685; A63B 69/38; A63B 2069/0006; A63B 2069/0008; A63B 2071/0647; A63B 2220/40; A63B 2220/803; A63B 2220/833; A63B 2225/50; A63B 2243/0075; G01P 15/00**
See application file for complete search history.

* cited by examiner
Primary Examiner — Antoine D Davis

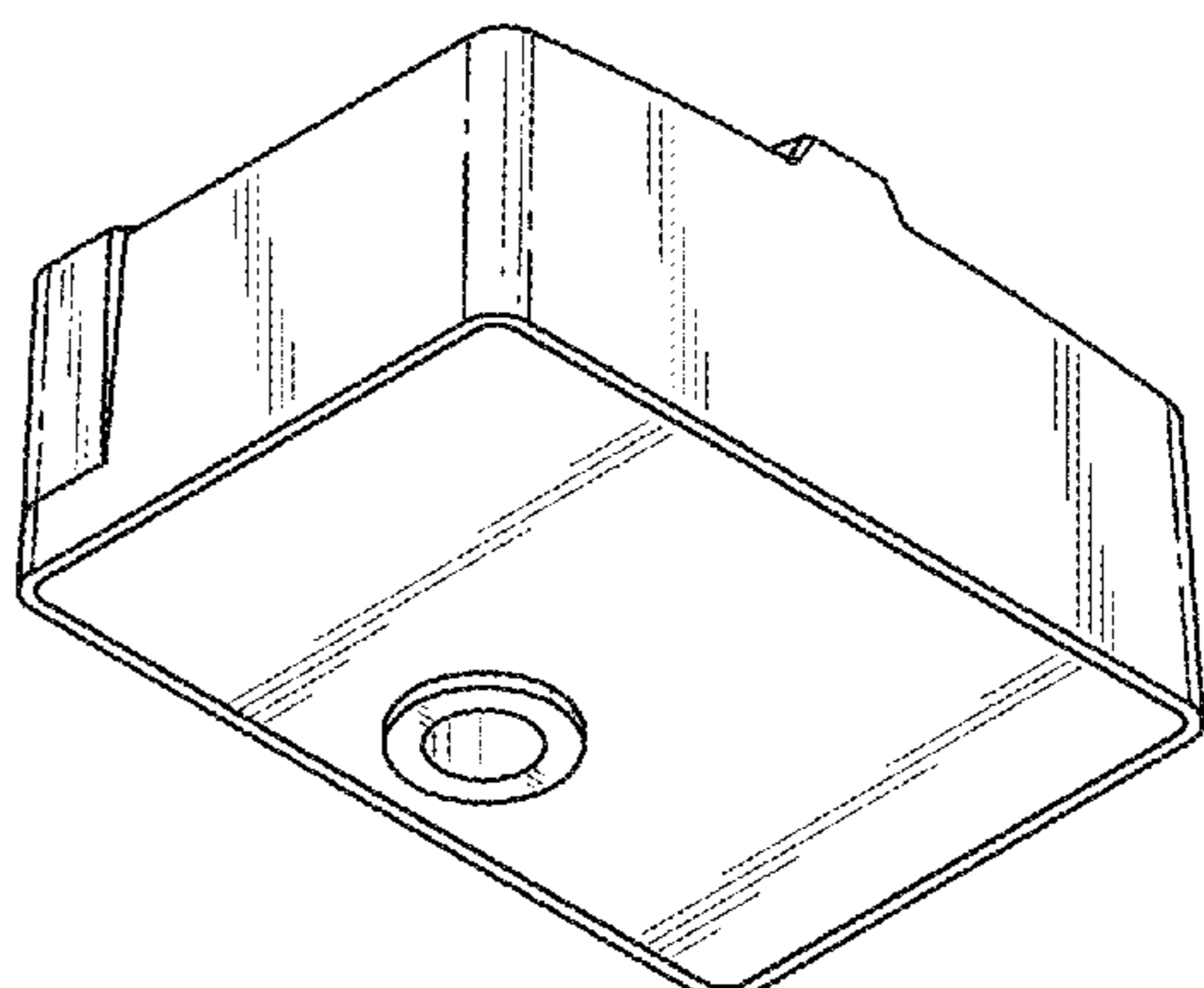
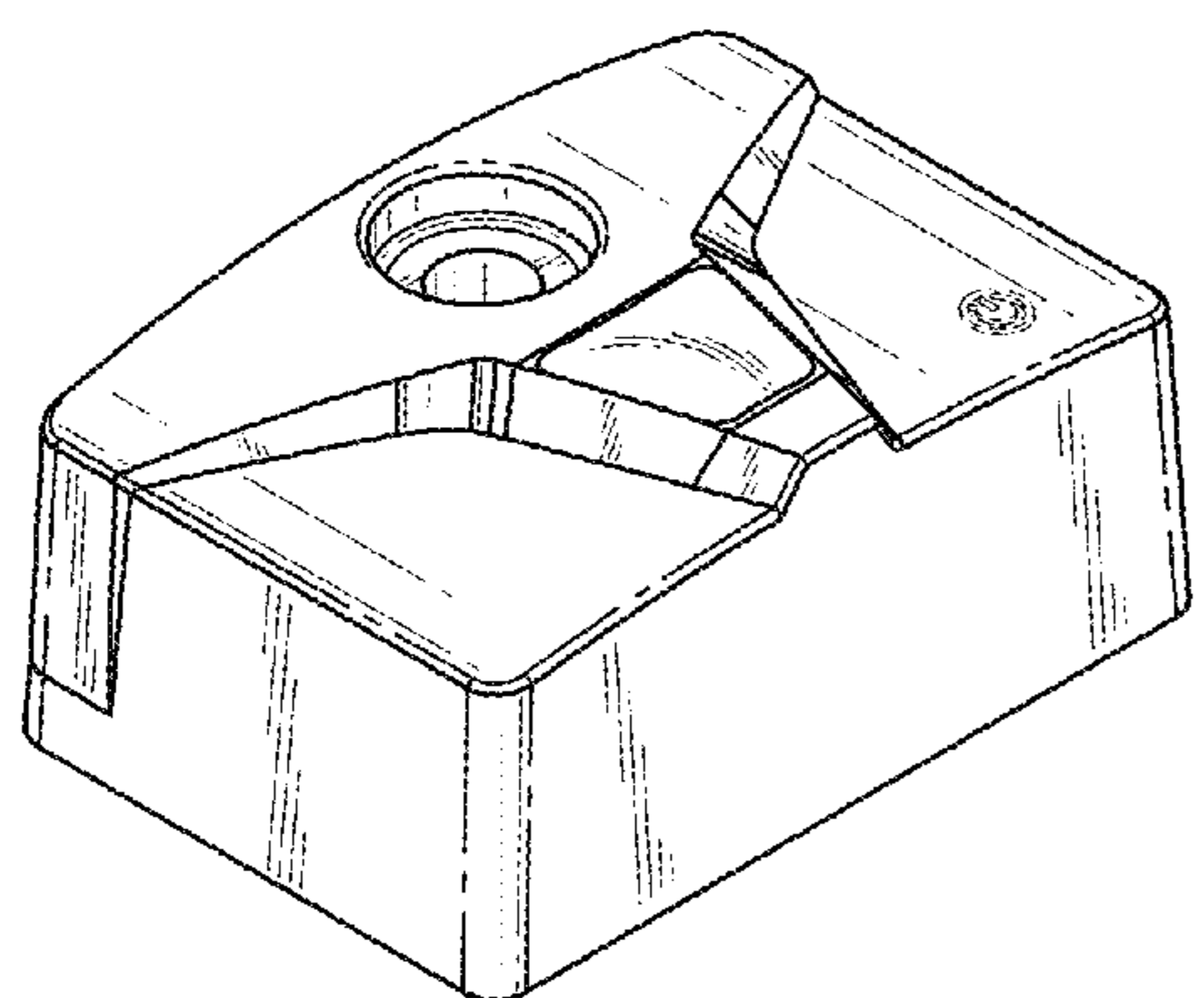
(57) **CLAIM**
The ornamental design for a sensing module, as shown and described.

DESCRIPTION

FIG. 1 is a top front perspective view of a sensing module according to some embodiments of the present invention; FIG. 2 is a bottom front perspective view of the sensing module shown in FIG. 1; FIG. 3 is a front view of the sensing module shown in FIG. 1; FIG. 4 is a back view of the sensing module shown in FIG. 1; FIG. 5 is a top view of the sensing module shown in FIG. 1; FIG. 6 is a bottom view of the sensing module shown in FIG. 1; FIG. 7 is a side view of the sensing module shown in FIG. 1; and, FIG. 8 is a corresponding view of the sensing module shown in FIG. 7.

- (56) **References Cited**
U.S. PATENT DOCUMENTS
D202,145 S 8/1965 Shroeder et al.
D303,670 S 9/1989 Adolfo

1 Claim, 2 Drawing Sheets



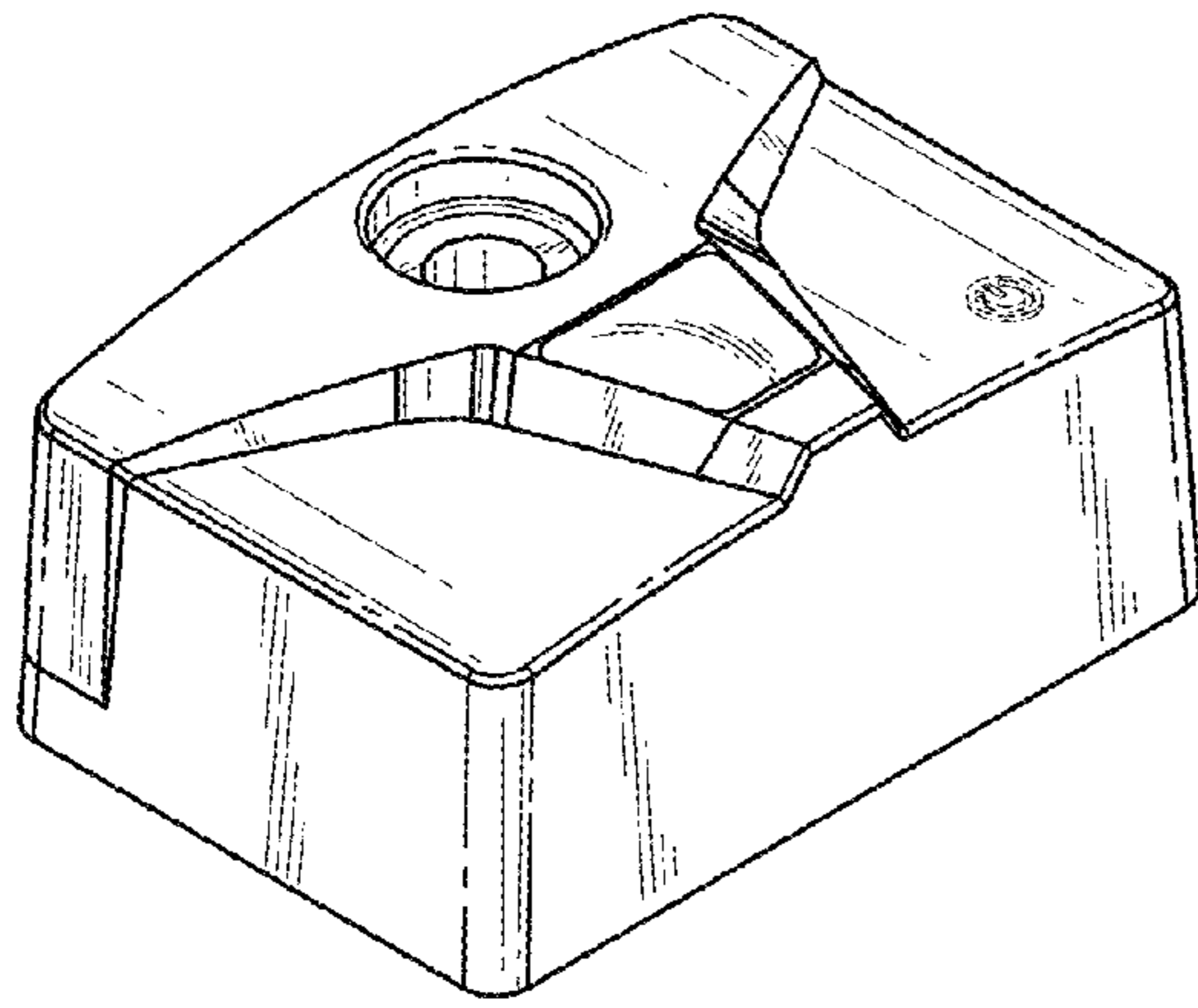


FIG. 1

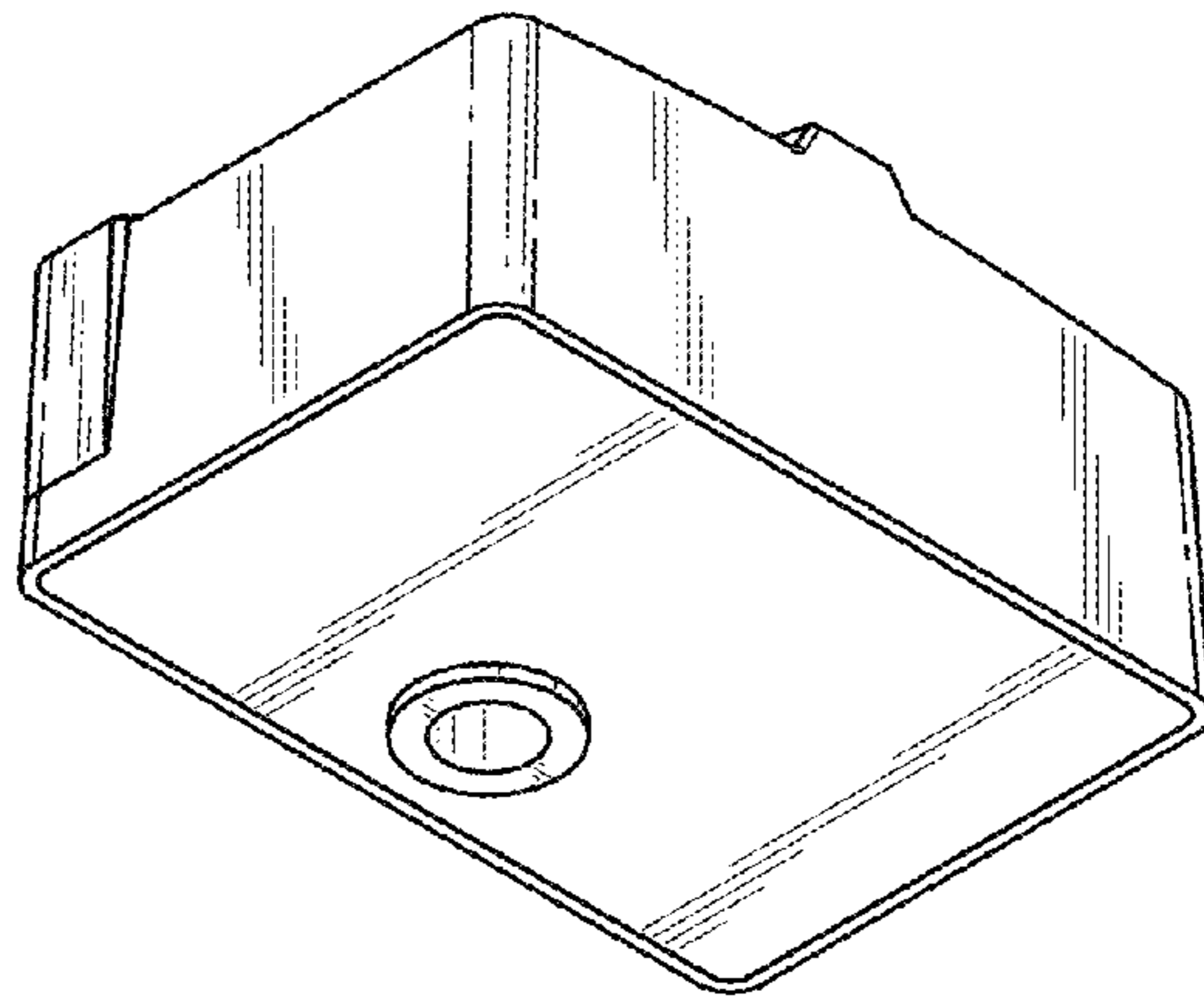


FIG. 2

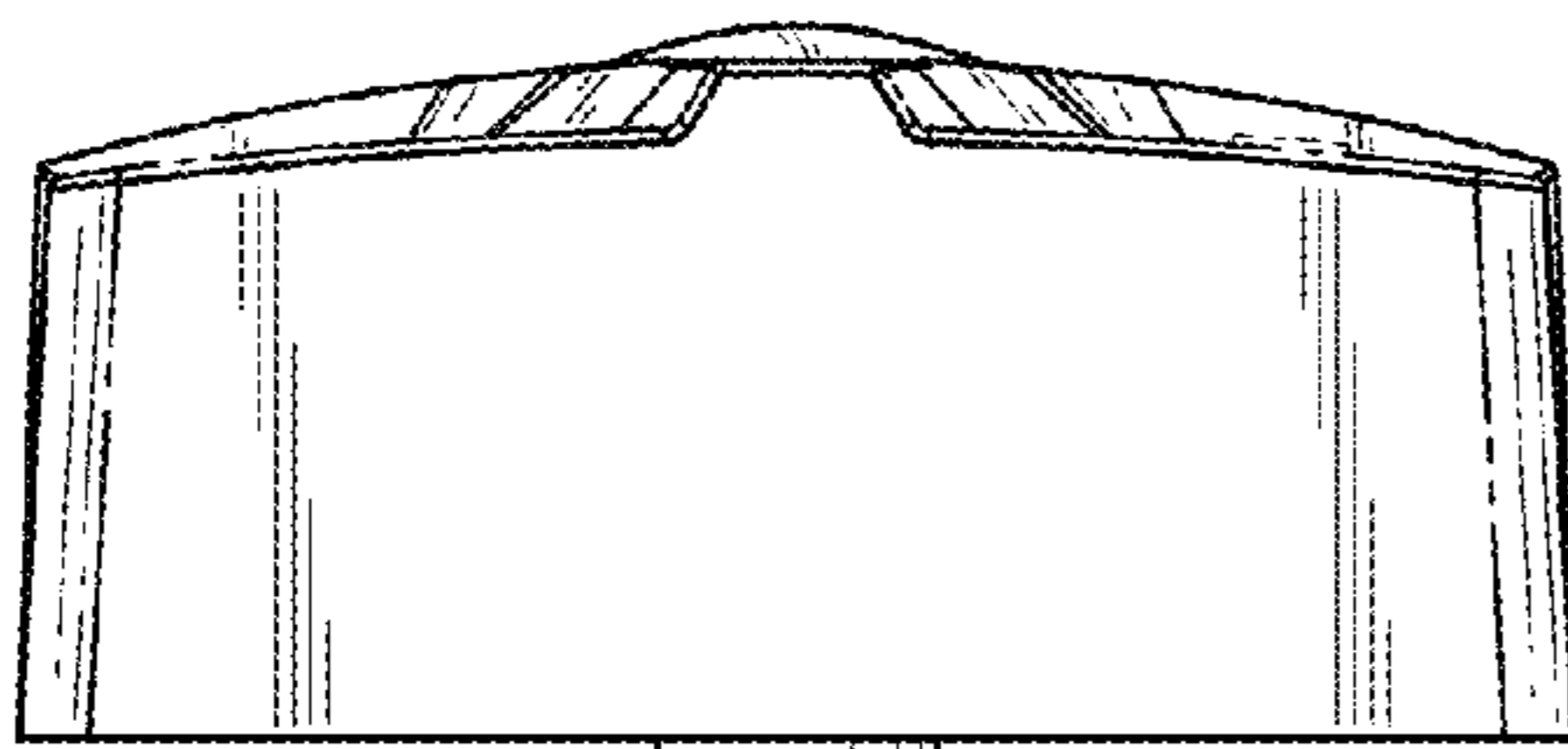


FIG. 3

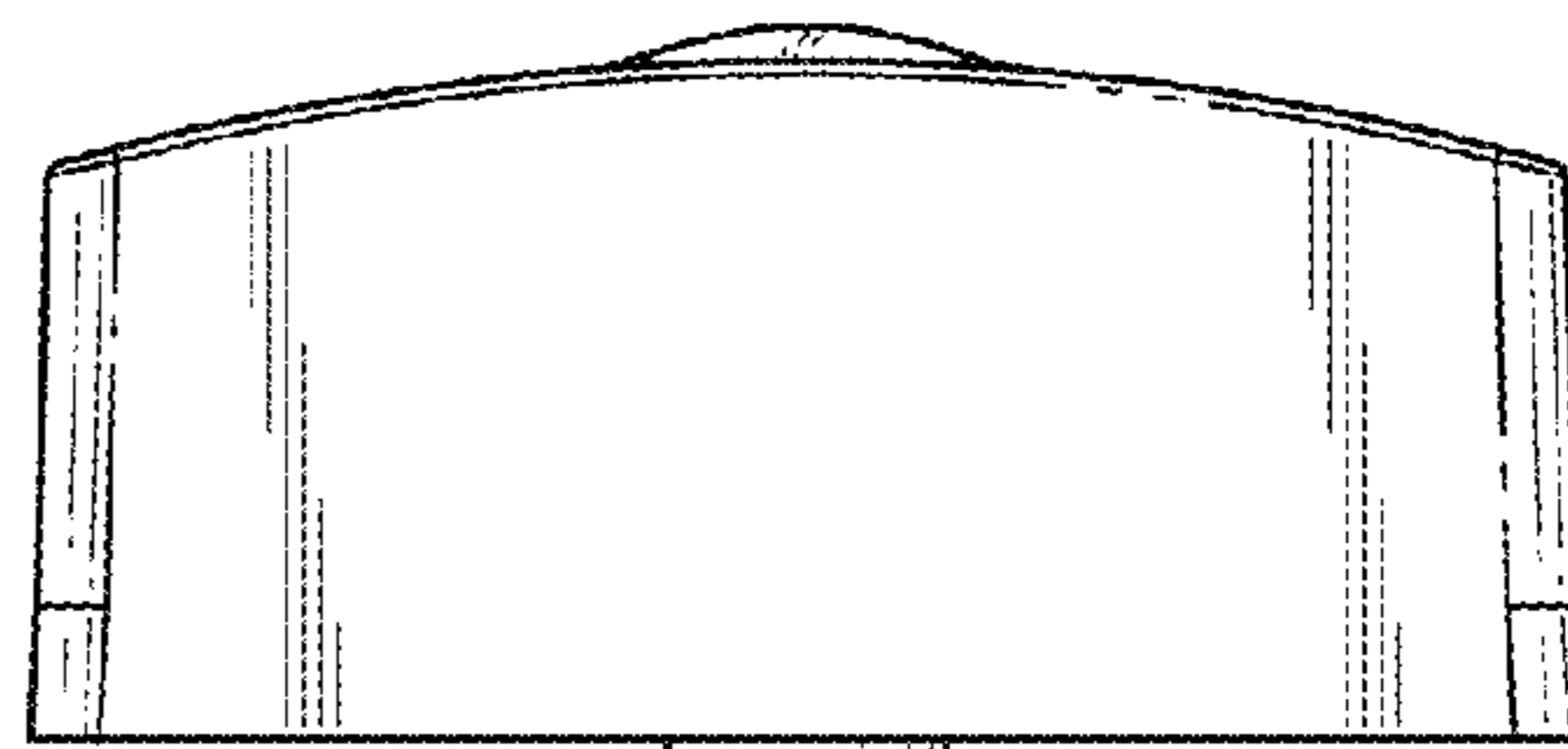


FIG. 4

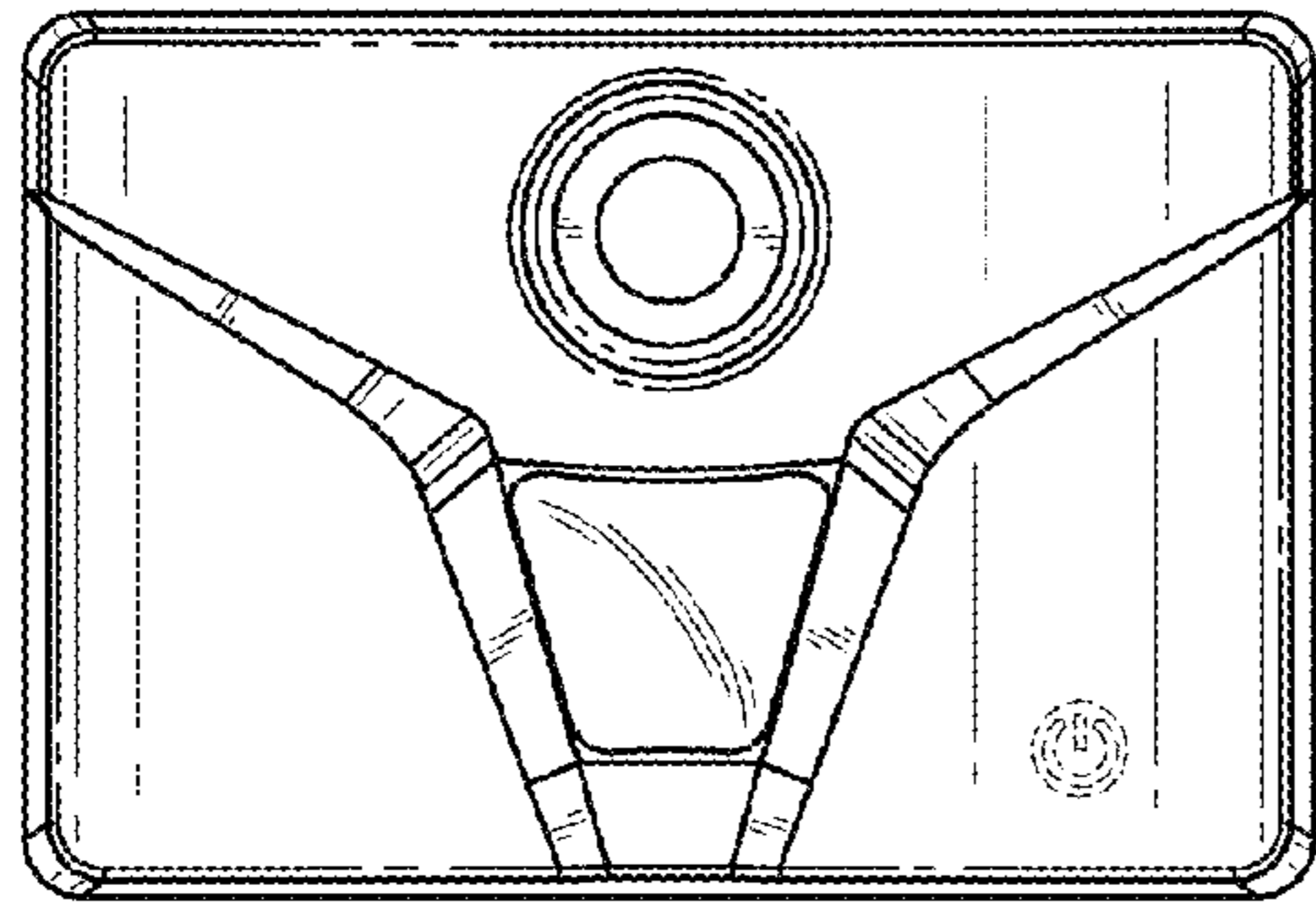


FIG. 5

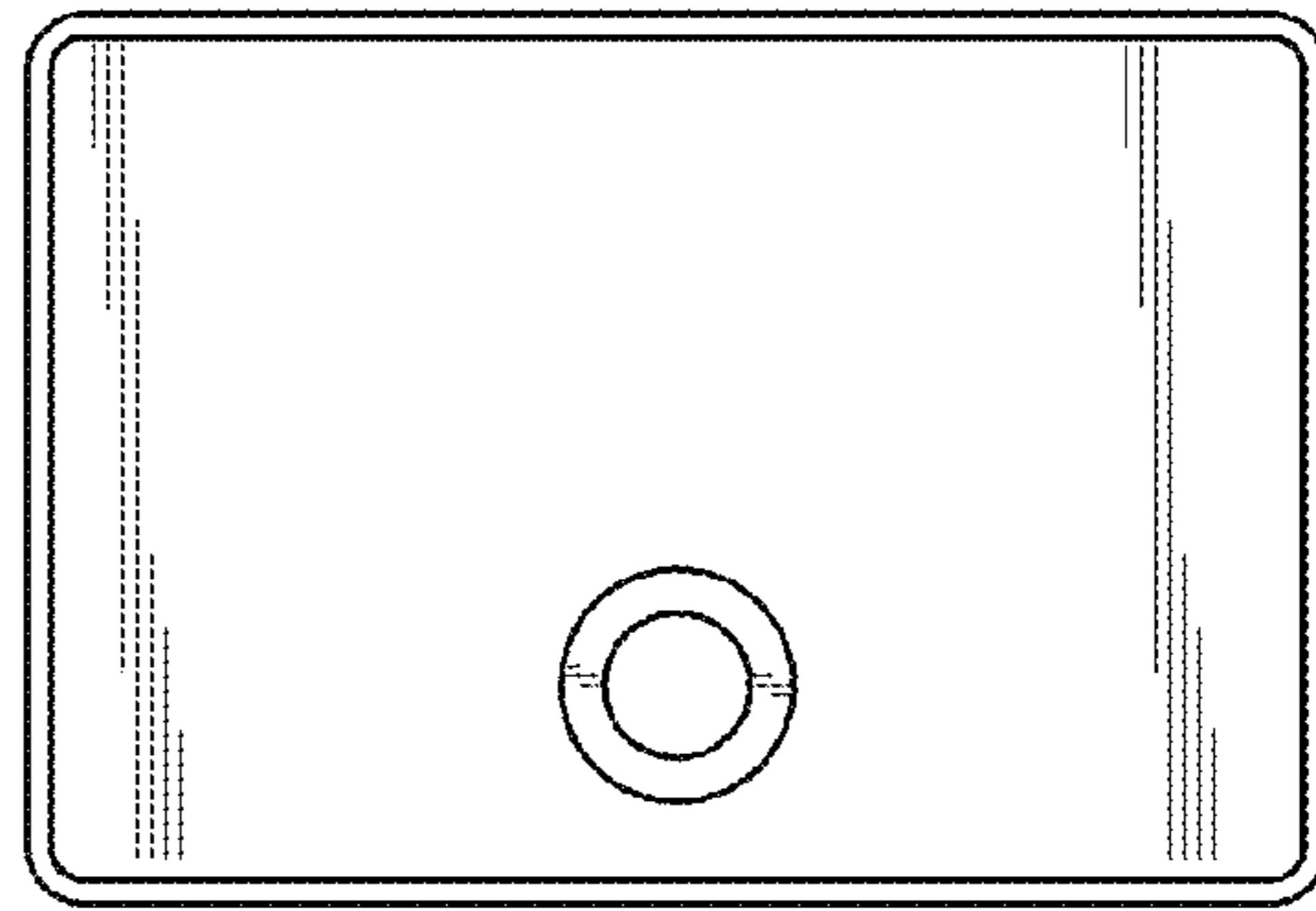


FIG. 6

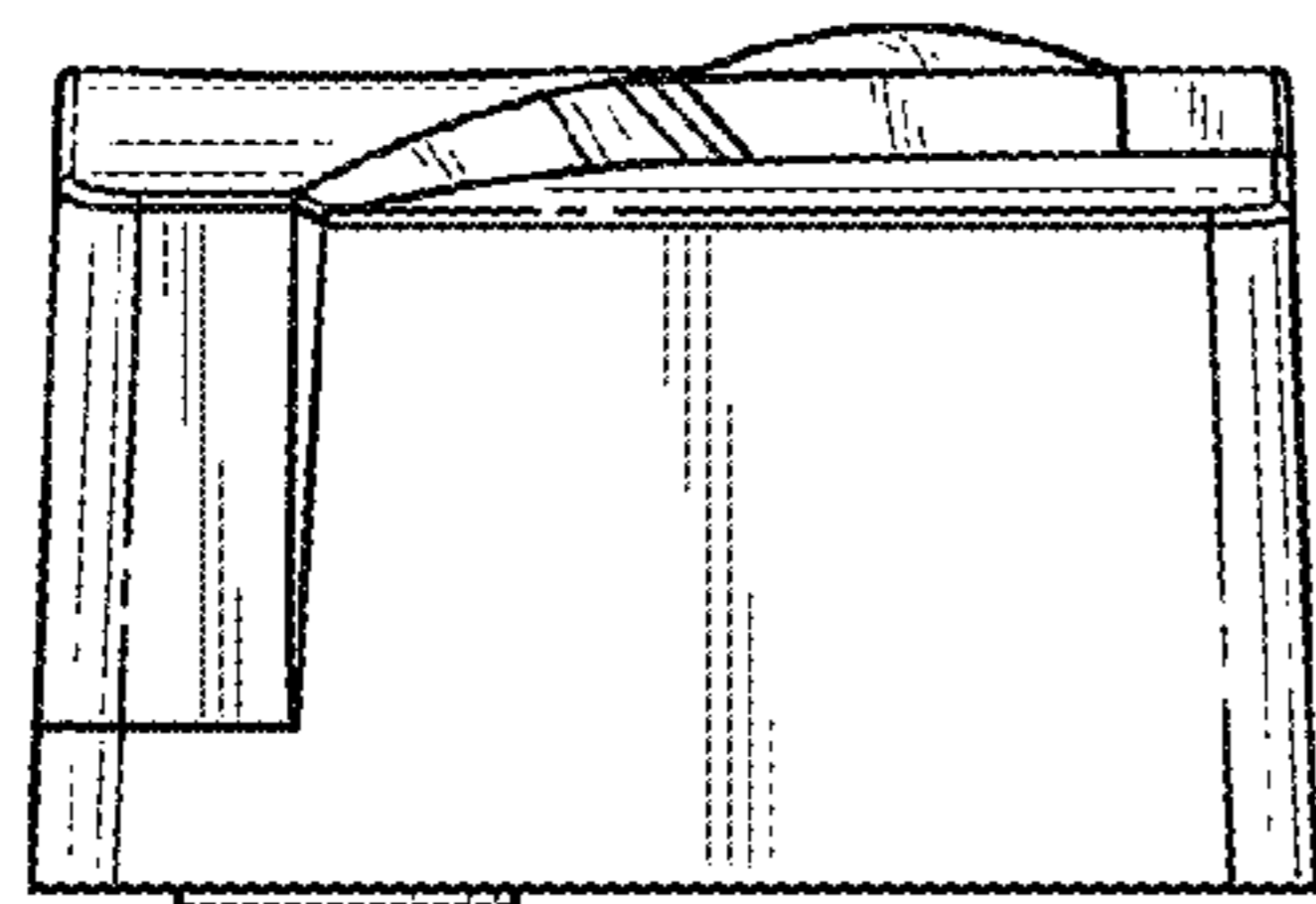


FIG. 7

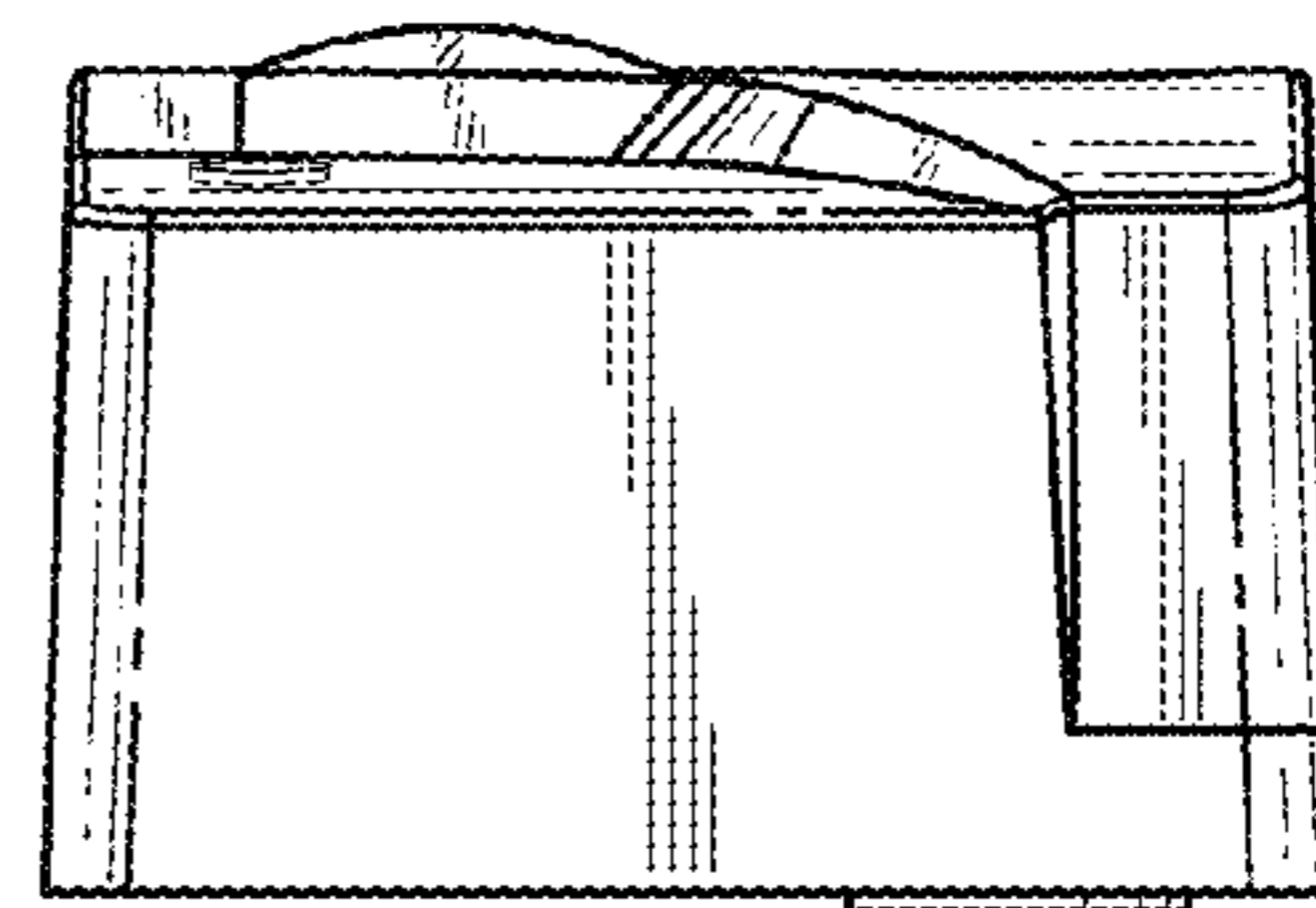


FIG. 8