



US00D747222S

(12) **United States Design Patent**
Indio da Costa et al.

(10) **Patent No.:** **US D747,222 S**
(45) **Date of Patent:** **** Jan. 12, 2016**

(54) **STREET CLOCK**

G04B 19/046; G04B 37/00; G04B 37/14;
G04B 47/00

(71) Applicant: **Odebrecht Transport Participações**
S/A, São Paulo (BR)

See application file for complete search history.

(72) Inventors: **Luiz Eduardo Indio da Costa**, Rio de Janeiro (BR); **Luiz Augusto de Siqueira Índio da Costa**, Rio de Janeiro (BR); **Till Pupak**, Rio de Janeiro (BR); **Marcos Lima Nogueira Costa**, Rio de Janeiro (BR); **Luisa Martins Pessoa**, Rio de Janeiro (BR); **Nicholas Muller**, Niterói (BR)

(56) **References Cited**

U.S. PATENT DOCUMENTS

989,290	A *	4/1911	Rhame et al.	368/44
1,876,997	A *	9/1932	Marples	200/37 R
2,909,963	A *	10/1959	Lane, Jr.	359/451
D188,306	S *	7/1960	Cothorn	D20/41
2,998,664	A *	9/1961	McIntire	40/473
D213,940	S *	4/1969	de Zinno	D20/20
3,509,652	A *	5/1970	Kern	40/624
D218,670	S *	9/1970	Brentrup	D20/41
D269,532	S *	6/1983	Amar	D20/20
D304,960	S *	12/1989	Denton	D20/20
D355,676	S *	2/1995	Wilson	D20/10
D471,113	S *	3/2003	Merk et al.	D10/2

(Continued)

Primary Examiner — Martie K Holtje

(73) Assignee: **Odebrecht Transport Participações**
S/A, Sao Paulo (BR)

(74) *Attorney, Agent, or Firm* — Sughrue Mion, PLLC

(**) Term: **14 Years**

(21) Appl. No.: **29/492,910**

(22) Filed: **Jun. 4, 2014**

Related U.S. Application Data

(62) Division of application No. 29/440,043, filed on Dec. 18, 2012.

(57) **CLAIM**

The ornamental design for a street clock, as shown and described.

(30) **Foreign Application Priority Data**

Jun. 18, 2012 (BR) 302012003720

(51) **LOC (10) Cl.** **10-01**

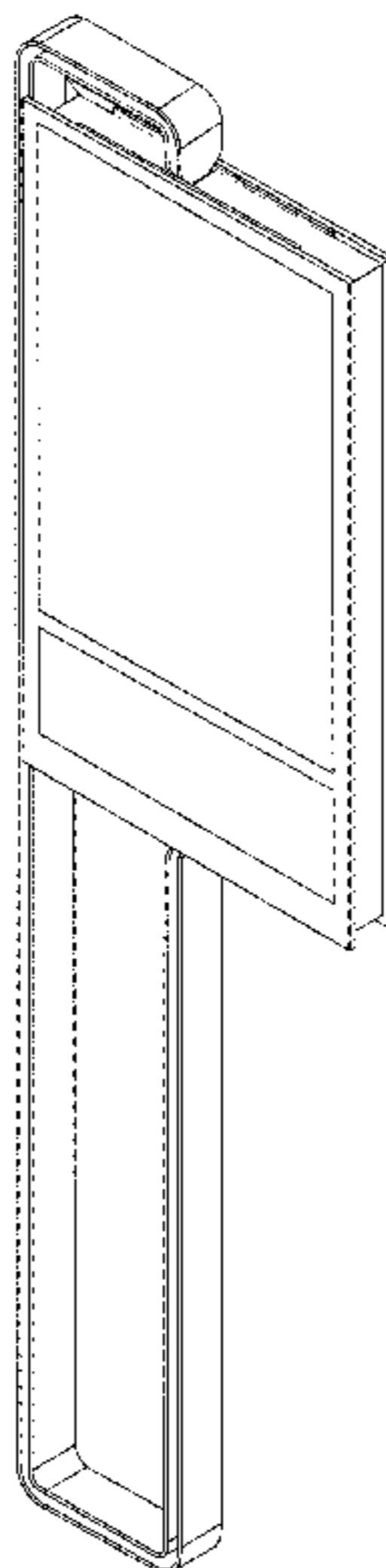
(52) **U.S. Cl.**
USPC **D10/24; D10/26; D20/20; D20/41**

(58) **Field of Classification Search**
USPC D10/1, 2, 3-29, 30-39, 122-132;
D20/10, 17, 19, 20, 39, 41, 99;
D6/661, 681; D14/307; 368/10, 44;
40/606.15, 612, 624, 473; 359/451;
404/9; 200/37 R
CPC G09F 7/00; G09F 7/16; G09F 7/18;
G09F 13/00; G09F 19/00; G09F 19/22;
G09F 23/00; G09F 23/16; G04B 19/00;

DESCRIPTION

FIG. 1—is a right front perspective view of a street clock showing our new design;
FIG. 2—is a front elevational view thereof;
FIG. 3—is a rear elevational view thereof;
FIG. 4—is a bottom plan view thereof;
FIG. 5—is a top plan view thereof;
FIG. 6—is a right side elevational view thereof; and,
FIG. 7—is a left side elevational view thereof.
The broken lines shown in FIG. 4 represent a boundary, the area within which forms no part of the claimed design.

1 Claim, 5 Drawing Sheets



(56)

References Cited

U.S. PATENT DOCUMENTS

D479,659 S * 9/2003 Fleckenstein et al. D6/470
D483,074 S * 12/2003 Strunk et al. D20/41
D501,228 S * 1/2005 Santana et al. D20/41
D501,889 S * 2/2005 Harris et al. D20/39
D501,891 S * 2/2005 Kaplan et al. D20/41

D550,524 S * 9/2007 Kincaid D8/1
D587,317 S * 2/2009 King et al. D20/41
D598,054 S * 8/2009 Grimshaw D20/41
D608,775 S * 1/2010 Leung D14/307
D631,097 S * 1/2011 Giugiaro D20/41
D639,088 S * 6/2011 Rodgers et al. D6/449
D662,992 S * 7/2012 Hernandez D20/41
2008/0078112 A1 * 4/2008 Basha 40/606.15

* cited by examiner

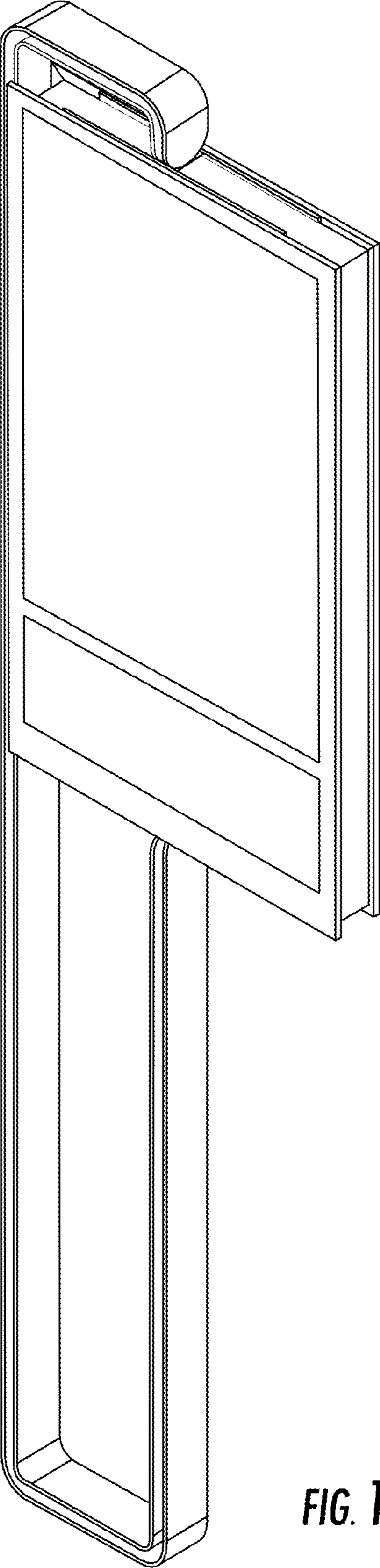


FIG. 1

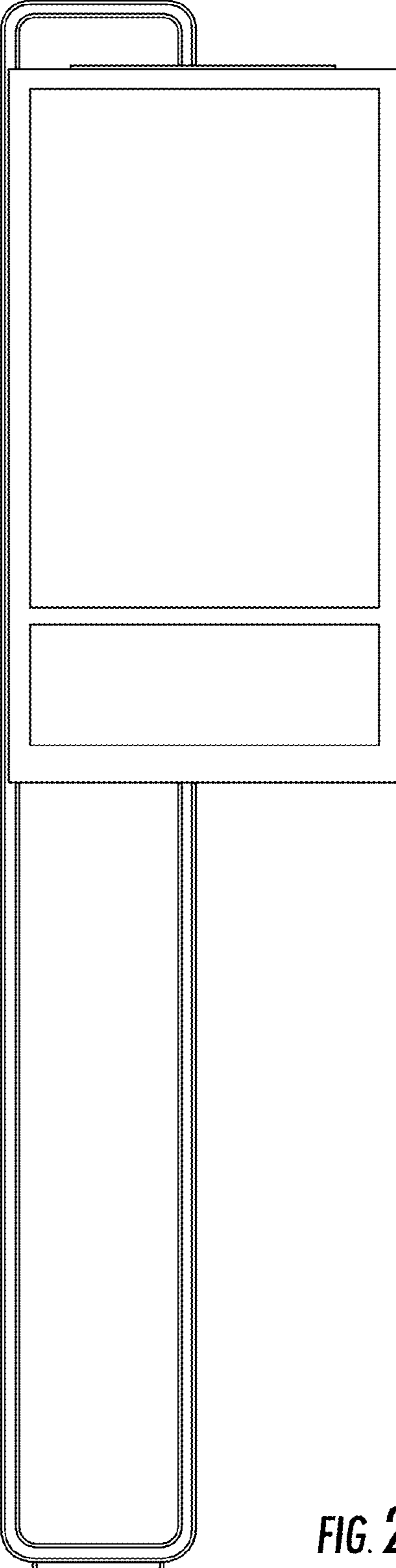


FIG. 2

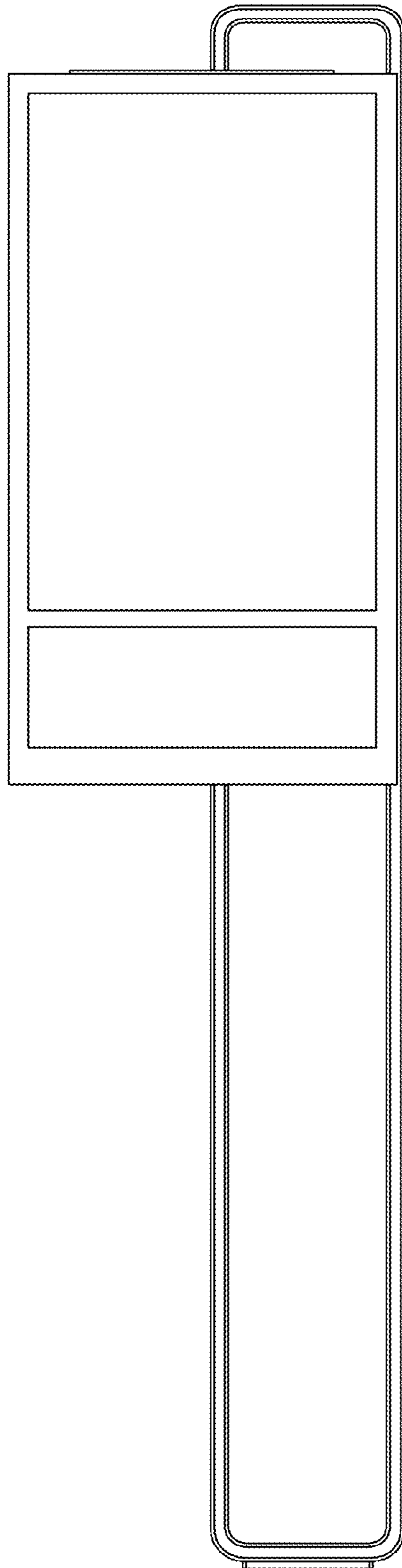


FIG. 3

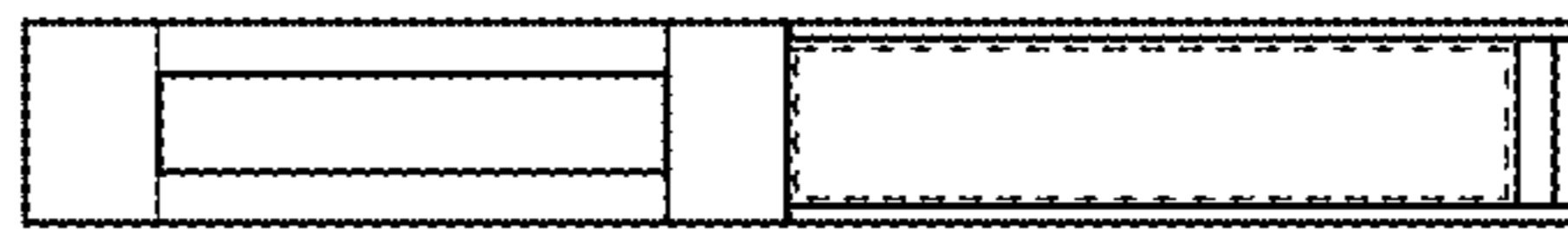


FIG. 4

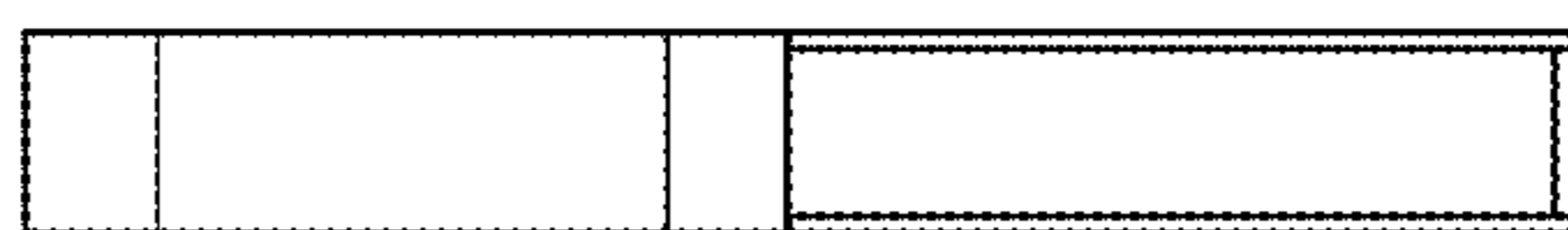


FIG. 5



FIG. 6



FIG. 7