



US00D747217S

(12) **United States Design Patent**
Glass et al.

(10) **Patent No.:** **US D747,217 S**
(45) **Date of Patent:** **** Jan. 12, 2016**

(54) **GIFT BAG FOR HOLDING A CANDLE, A STORED VALUE CARD, AND A MESSAGE CARD SLIDER**

(71) Applicant: **Gift Card Impressions, LLC**, Kansas City, MO (US)

(72) Inventors: **Brett R. Glass**, Kansas City, MO (US);
Nicole E. Glass, Kansas City, MO (US)

(73) Assignee: **Gift Card Impressions, LLC**, Kansas City, MO (US)

(**) Term: **14 Years**

(21) Appl. No.: **29/501,627**

(22) Filed: **Sep. 5, 2014**

(51) **LOC (10) Cl.** **09-05**

(52) **U.S. Cl.**
USPC **D9/703**

(58) **Field of Classification Search**

USPC D9/702-703, 705, 709-710, 430-432, D9/414, 720; D7/602, 629; 383/61.1, 79, 383/81, 84, 86, 63, 120, 104, 61.2, 127, 383/907, 105, 42; 426/106; 220/495.03, 220/23.83, 23.4, 23.6, 23.8; 222/107, 92, 222/215; 206/286, 210, 541, 308.1, 309, 206/308.3, 307.1; 229/904, 902, 87.08, 229/87.19, 68.1, 928, 92.8, 120.18, 123, 229/124, 117.06, 114, 120.01, 405, 72; D3/239-240, 303, 276, 273, 232, 252, D3/900-901, 201, 226; 493/216, 917, 918; 283/75, 103; D19/1-9, 75, 86; D24/118

CPC B65D 33/24; B65D 31/10; B65D 77/06
See application file for complete search history.

(56) **References Cited**

U.S. PATENT DOCUMENTS

D225,311 S * 12/1972 Harrison D9/703
4,991,980 A * 2/1991 Cohen et al. 383/40

(Continued)

Primary Examiner — Caron D Veynar
Assistant Examiner — Abraham Bahta

(74) *Attorney, Agent, or Firm* — Polsinelli PC

(57) **CLAIM**

The ornamental design for a gift bag for holding a candle, a stored value card, and a message card slider, as shown and described.

DESCRIPTION

FIG. 1 is a perspective view of a gift bag for holding a candle, a stored value card, and a message card slider according to an embodiment of the invention shown in a partially collapsed disposition;

FIG. 2 is a perspective view of the partially collapsed gift bag of FIG. 1 in an open disposition;

FIG. 3 is a front elevation view of the gift bag of FIG. 1;

FIG. 4 is a rear elevation view of the gift bag of FIG. 1;

FIG. 5 is a right elevation view of the gift bag of FIG. 1;

FIG. 6 is a left elevation view of the gift bag of FIG. 1;

FIG. 7 is a top plan view of the gift bag of FIG. 1;

FIG. 8 is a bottom plan view of the gift bag of FIG. 1;

FIG. 9 is a perspective view of the partially collapsed gift bag of FIG. 1 in a closed disposition;

FIG. 10 is a perspective view of the gift bag of FIG. 1 in an expanded disposition;

FIG. 11 is a right elevation view of the gift bag of FIG. 10, and the left elevation view is a mirror image of the right elevation view;

FIG. 12 is a top plan view of the gift bag of FIG. 10; and,

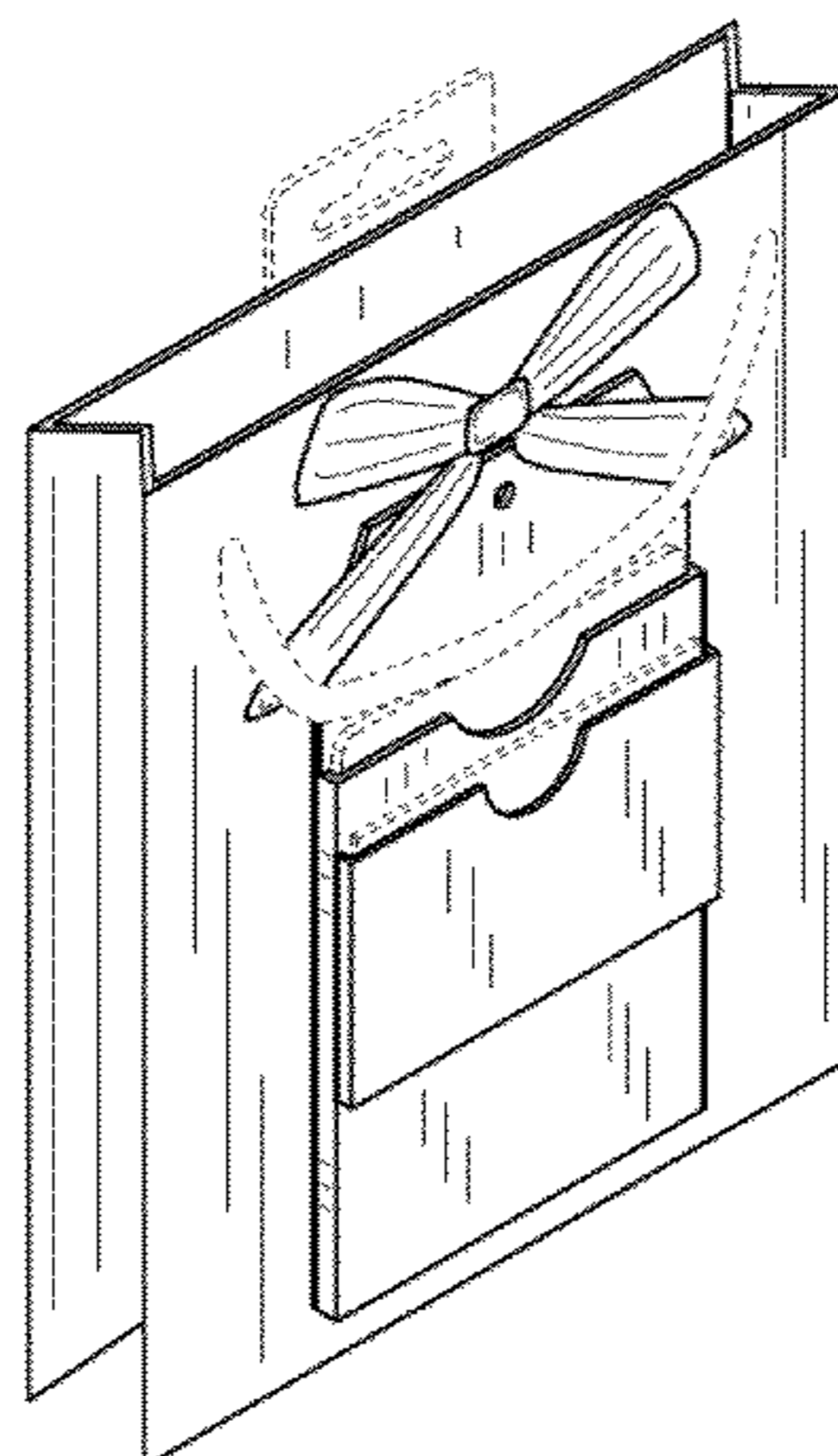
FIG. 13 is a bottom plan view of the gift bag of FIG. 10.

The broken dash-dot-dot lines and arrows (- . .) showing in FIG. 2 are included for the purpose of illustrating direction to insert the stored value card into a portion of the gift bag for holding a candle, a stored value card, and a message card slider.

The broken dash-dot-dash lines and arrows (- . -) showing in FIG. 2 are included for the purpose of illustrating direction to insert the message card slider into a portion of the gift bag for holding a candle, a stored value card, and a message card slider.

The broken dashed lines (- -) showing in FIGS. 1-13 are included for the purpose of illustrating portions of the gift bag for holding a candle, a stored value card, and a message card slider that form no part of the claimed design.

1 Claim, 5 Drawing Sheets



US D747,217 S

Page 2

(56)

References Cited

U.S. PATENT DOCUMENTS

D342,017 S	*	12/1993	Boyle	D9/662	5,630,544 A	*	5/1997	Shane	229/117.06
D355,598 S	*	2/1995	Aronhalt	D9/415	D395,005 S	*	6/1998	Burton	D9/705
D370,412 S	*	6/1996	Rohrer	D9/761	D479,464 S	*	9/2003	Kopecky	D9/432
						D491,407 S	*	6/2004	Martinetti	D6/626
						D642,480 S	*	8/2011	Hollyman	D9/702

* cited by examiner

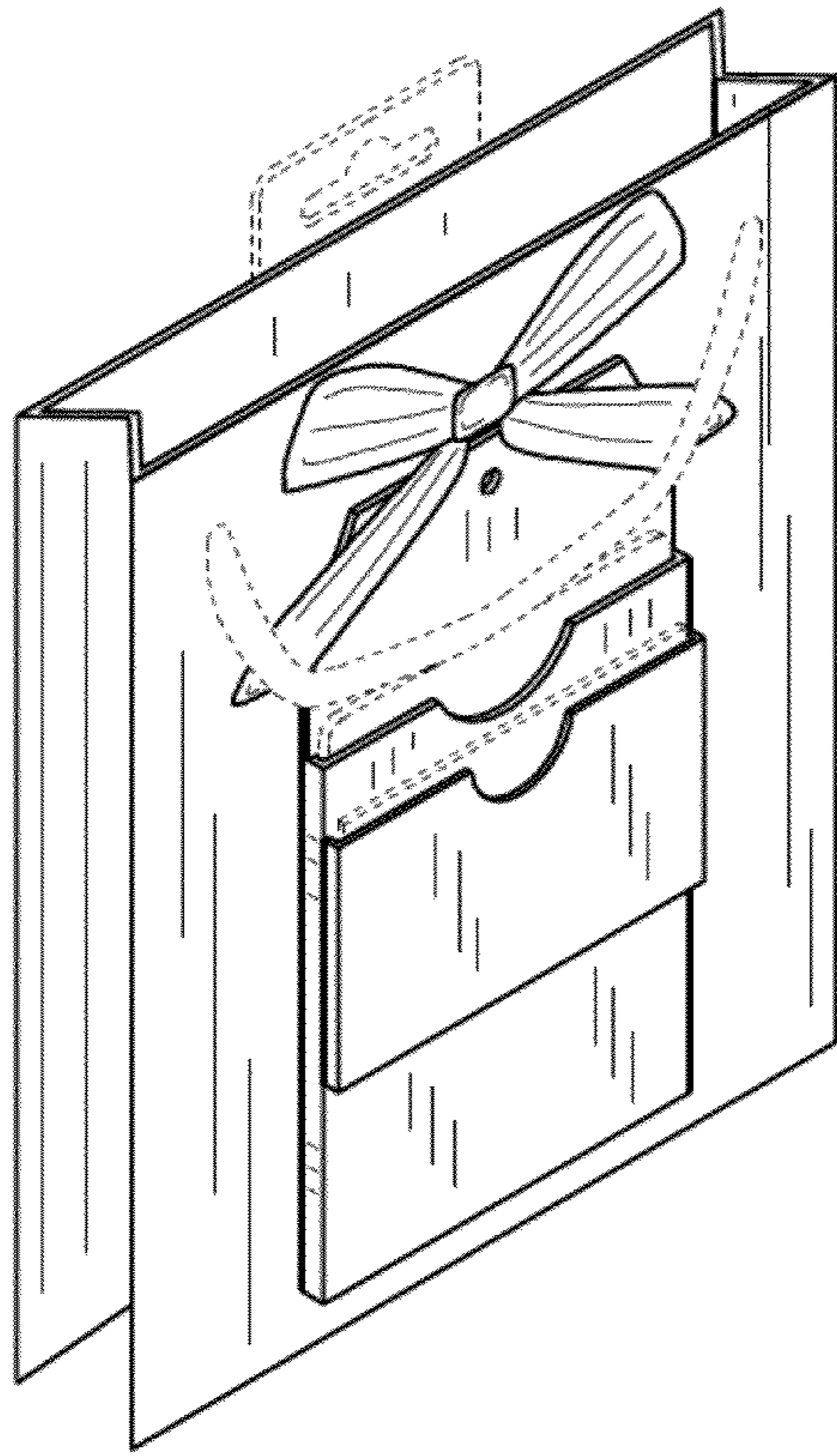


FIG. 1

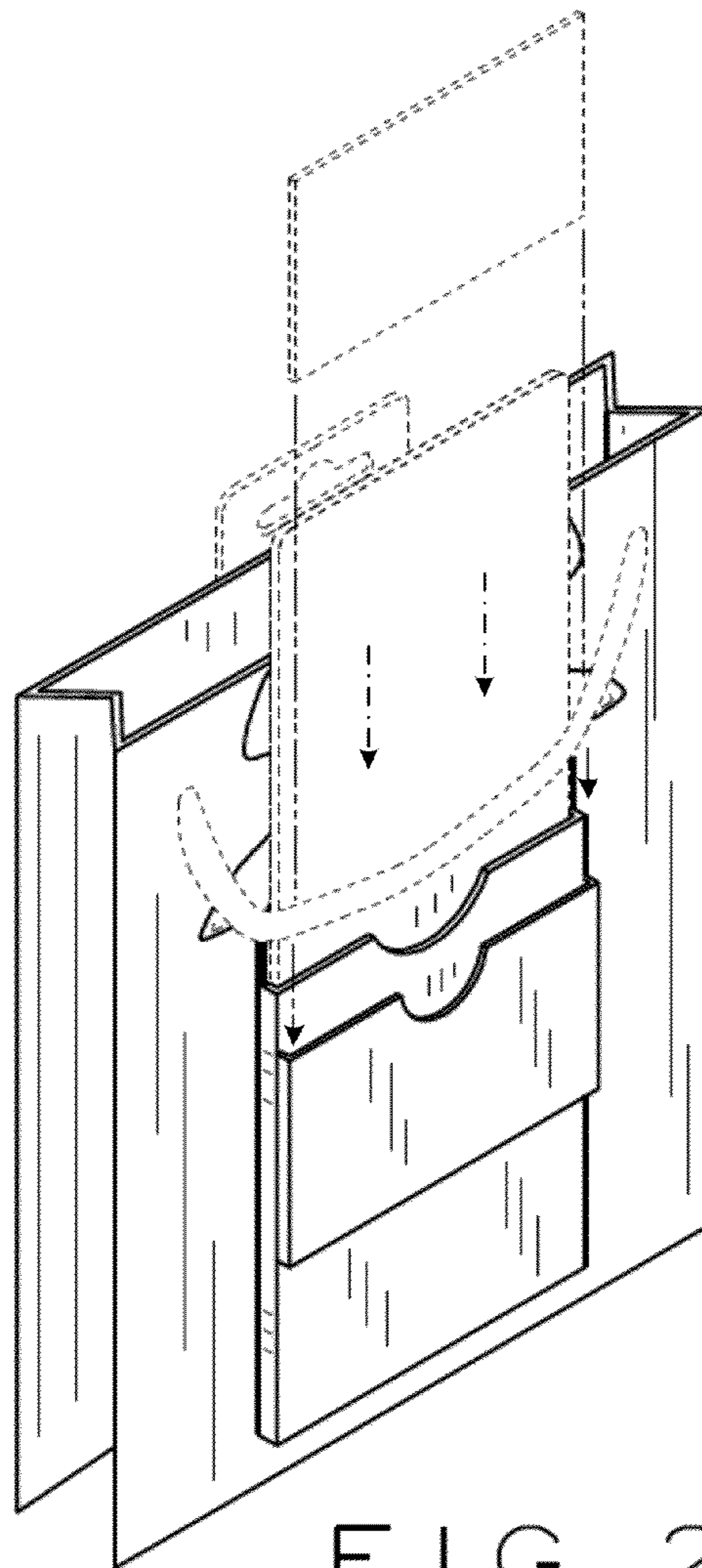


FIG. 2

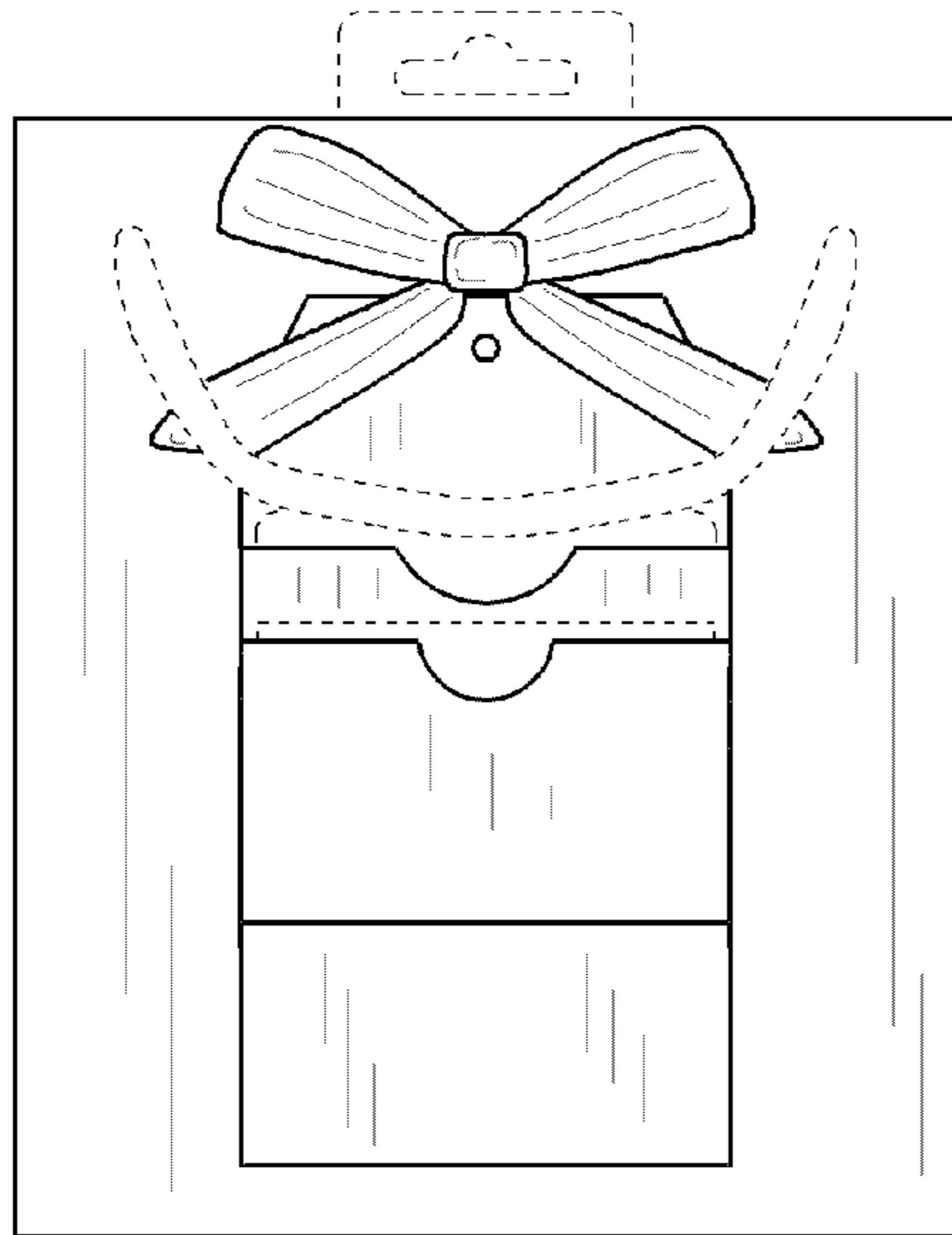


FIG. 3

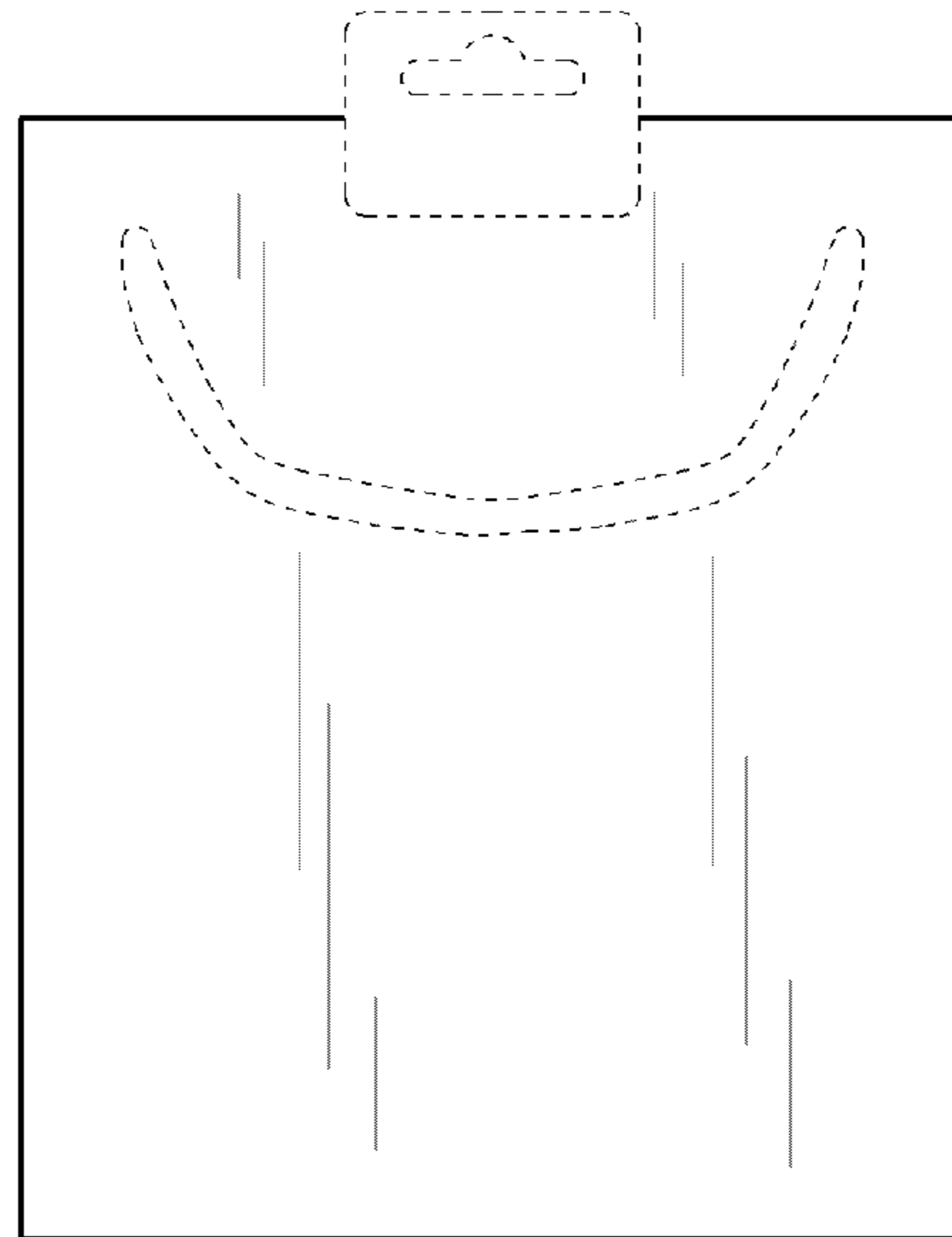


FIG. 4

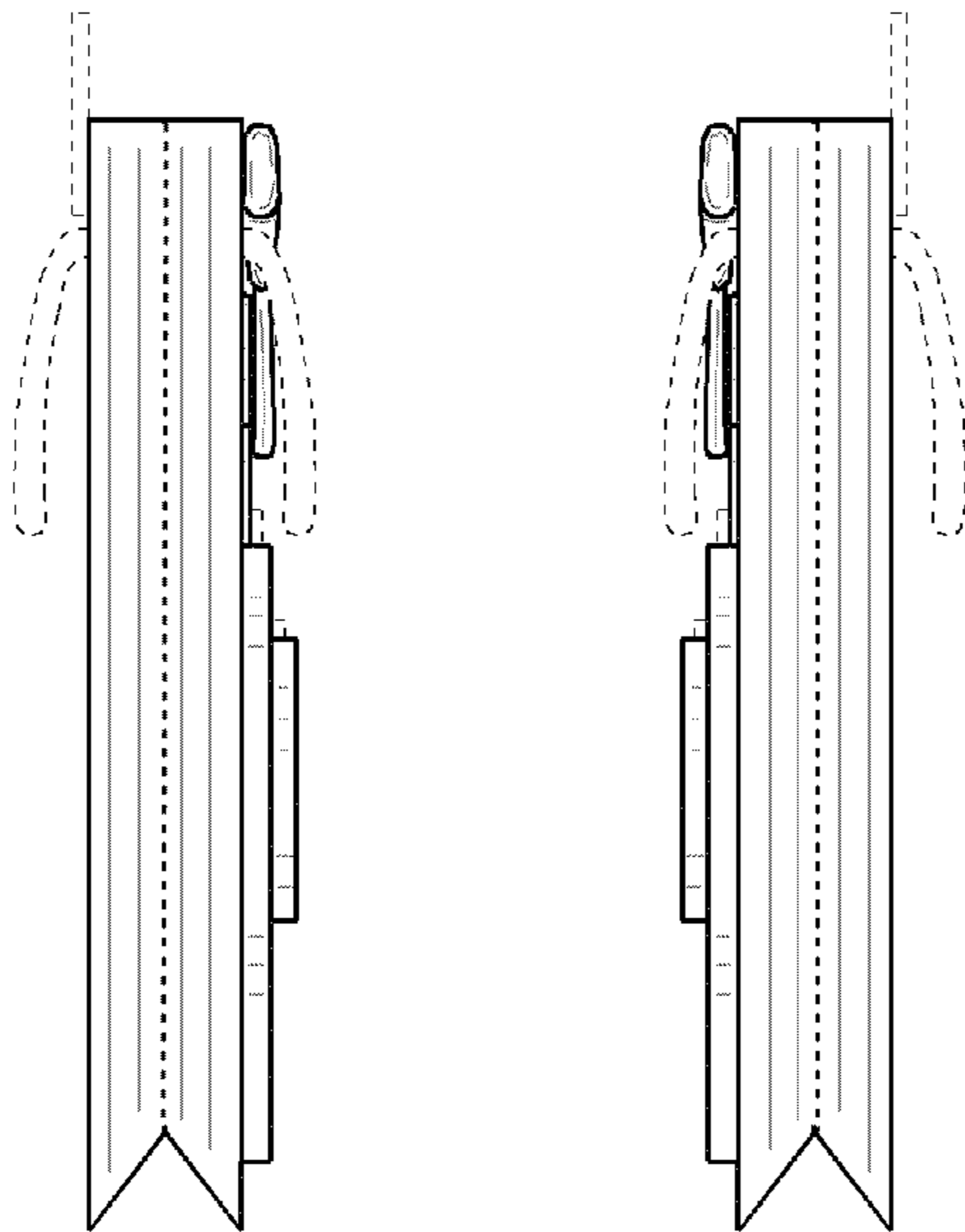


FIG. 5

FIG. 6

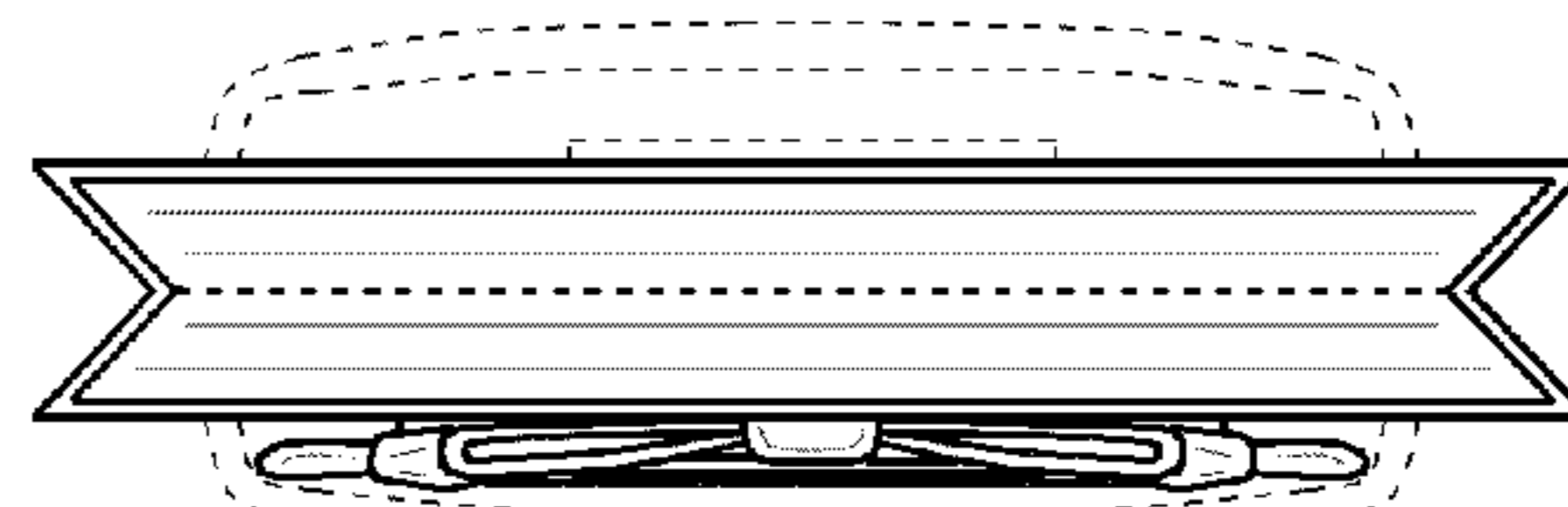


FIG. 7

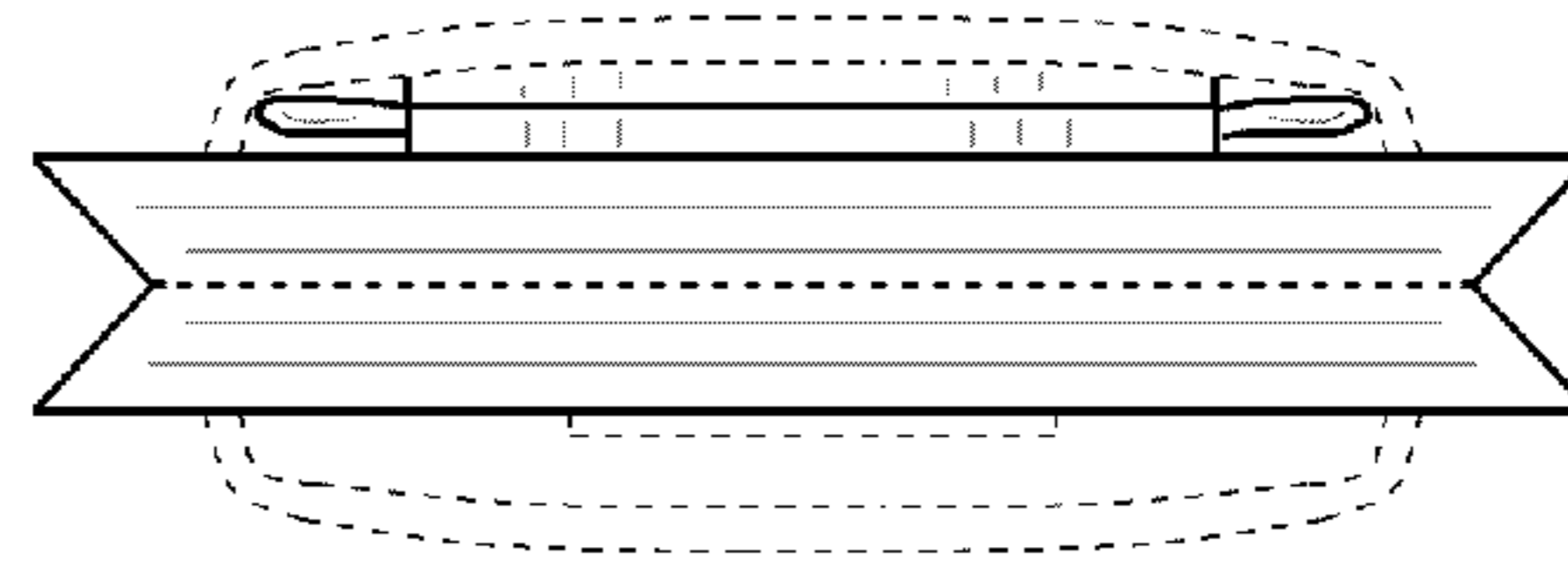


FIG. 8

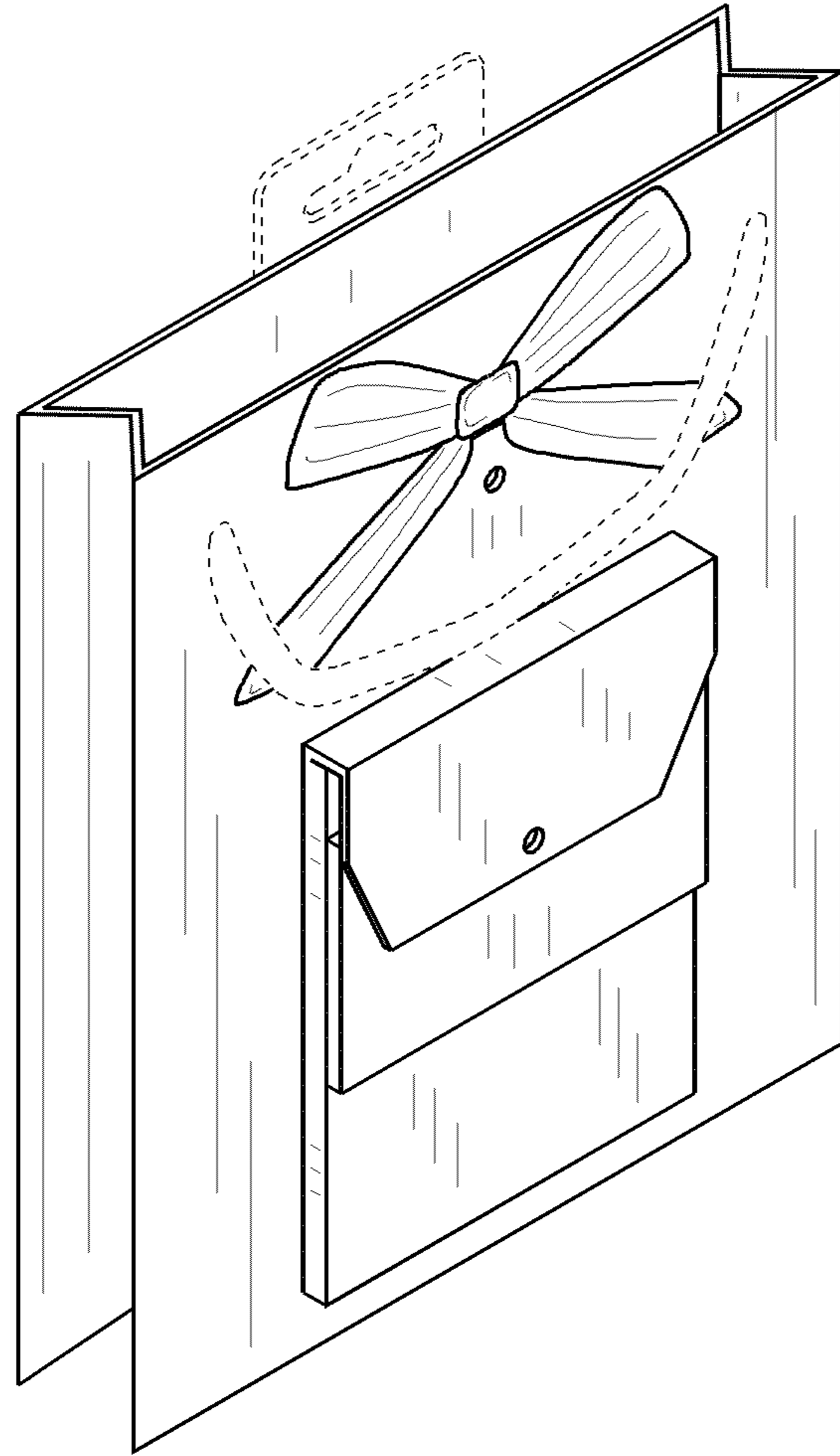


FIG. 9

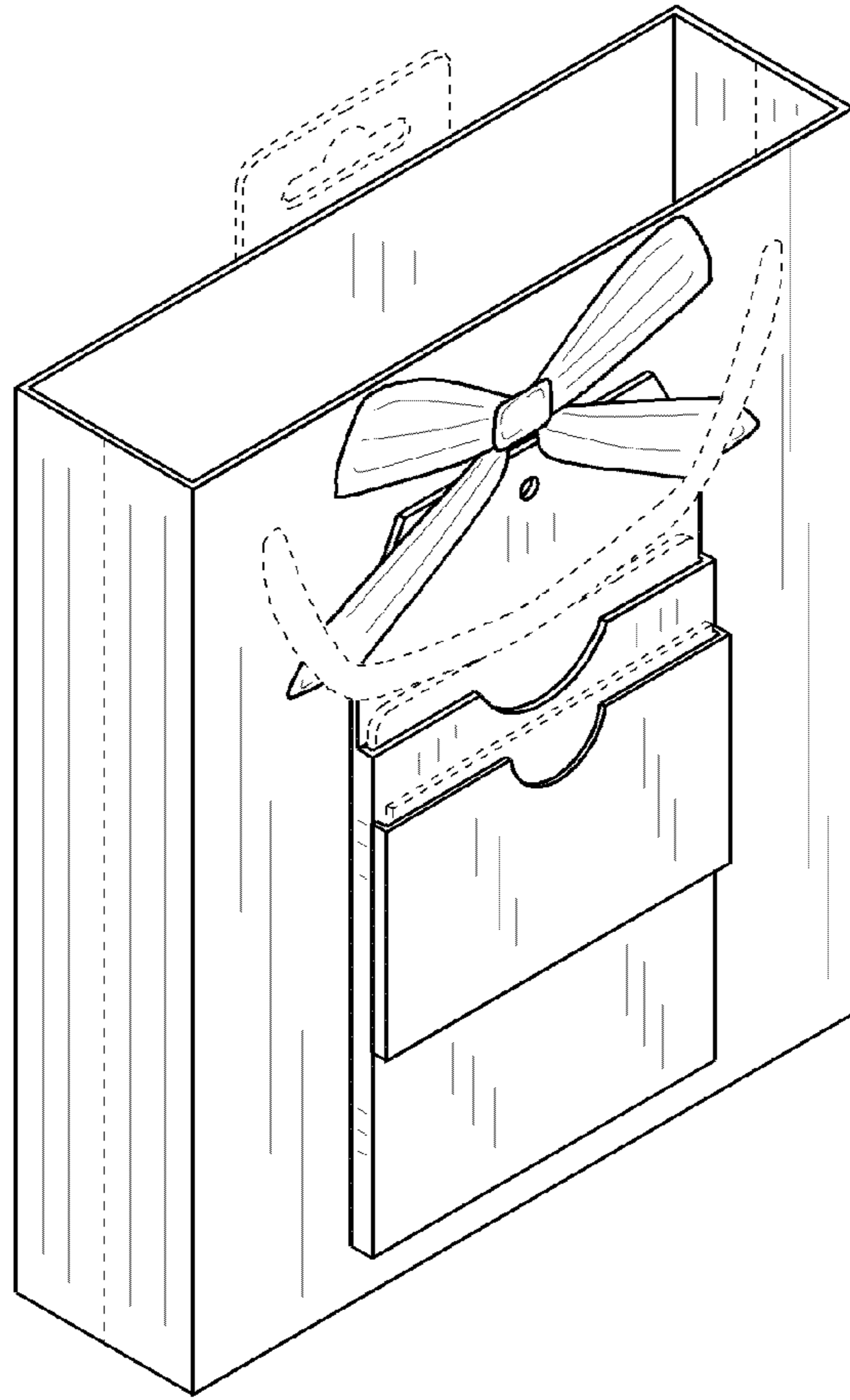


FIG. 10

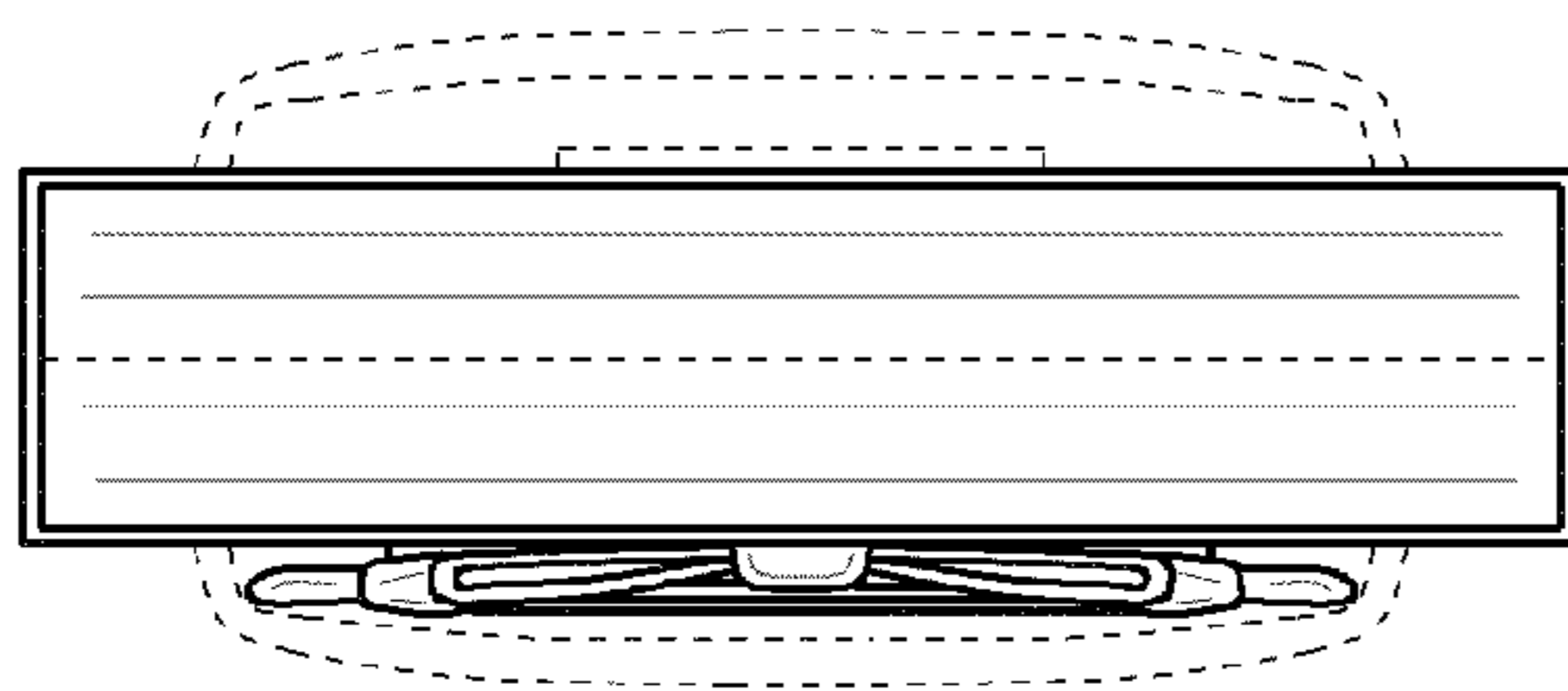


FIG. 12

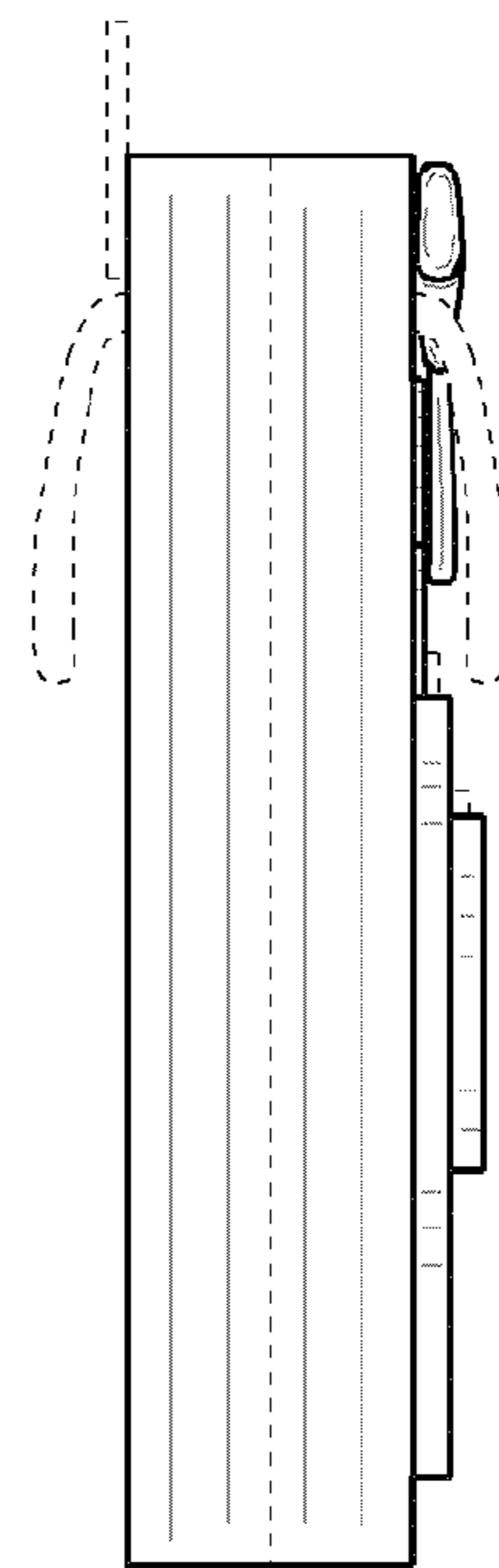


FIG. 11

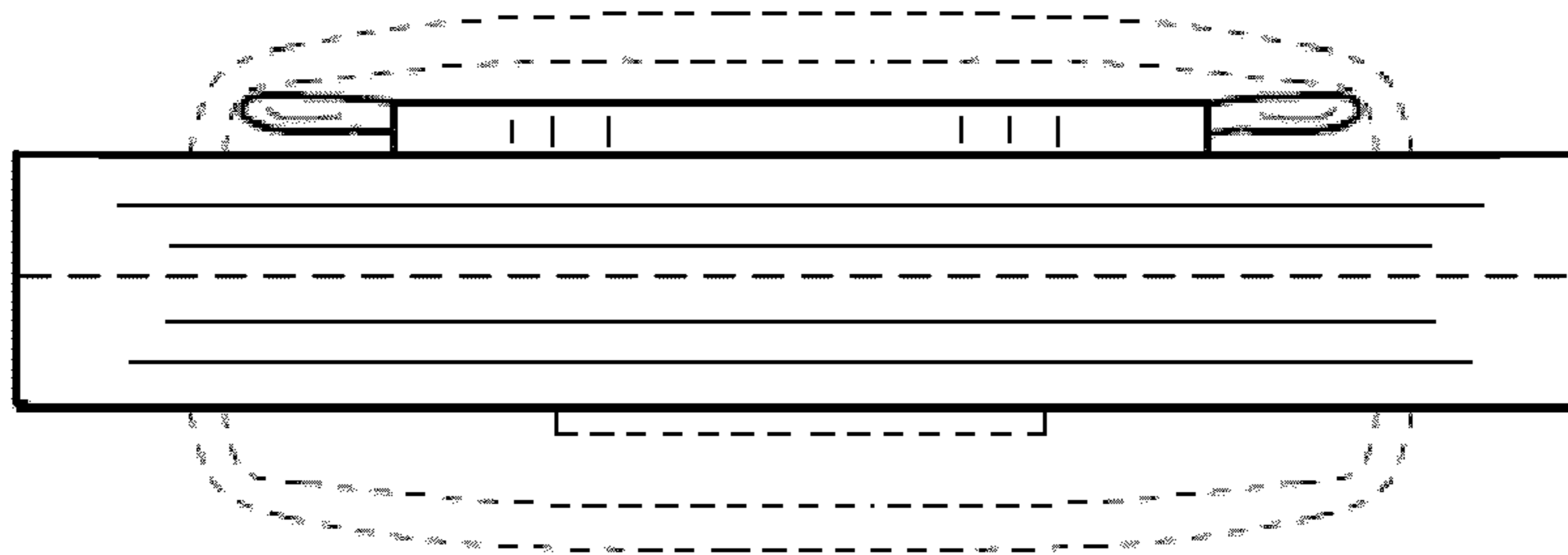


FIG. 13