



US00D747216S

(12) **United States Design Patent**
Cross et al.

(10) **Patent No.:** **US D747,216 S**
(45) **Date of Patent:** **** Jan. 12, 2016**

- (54) **OPEN TOP PLANTER BAG**
- (71) Applicants: **John M. Cross**, Santa Fe, NM (US);
Sattva Ananda, Santa Fe, NM (US)
- (72) Inventors: **John M. Cross**, Santa Fe, NM (US);
Sattva Ananda, Santa Fe, NM (US)
- (**) Term: **14 Years**
- (21) Appl. No.: **29/498,164**
- (22) Filed: **Jul. 31, 2014**
- (51) **LOC (10) Cl.** **05-05**
- (52) **U.S. Cl.**
USPC **D9/702; D11/143**
- (58) **Field of Classification Search**
USPC D9/702-714; 47/65.8, 65.5, 67, 39,
47/41.01, 75, 66.7; 220/23.88, 23.83;
428/34.1, 34.3; D8/1; D34/1; 206/423,
206/278, 286; D32/36-37; 383/6-7, 9-10,
383/12, 15, 19, 22, 24, 26, 33, 71-72,
383/46-47, 127
CPC A01G 9/026; A01G 9/02; A01G 9/24;
B65D 85/52; B65D 85/18; A45C 3/04
See application file for complete search history.

6,298,600	B1 *	10/2001	Feldman	47/67
7,815,372	B2 *	10/2010	Stanton et al.	383/104
7,845,112	B2 *	12/2010	Felknor	47/65.8
7,988,681	B2 *	8/2011	McGarity et al.	604/317
D679,531	S *	4/2013	Nelson et al.	D6/556
8,474,182	B2 *	7/2013	Felknor et al.	47/67
8,826,590	B2 *	9/2014	Cross et al.	47/65.8

* cited by examiner

Primary Examiner — Caron D Veynar

Assistant Examiner — Abraham Bahta

(74) *Attorney, Agent, or Firm* — Gina T. Constant, Esq.

(56) **References Cited**

U.S. PATENT DOCUMENTS

3,977,450	A *	8/1976	Schampier	383/7
D363,896	S *	11/1995	Bergmann	D11/148

(57) **CLAIM**

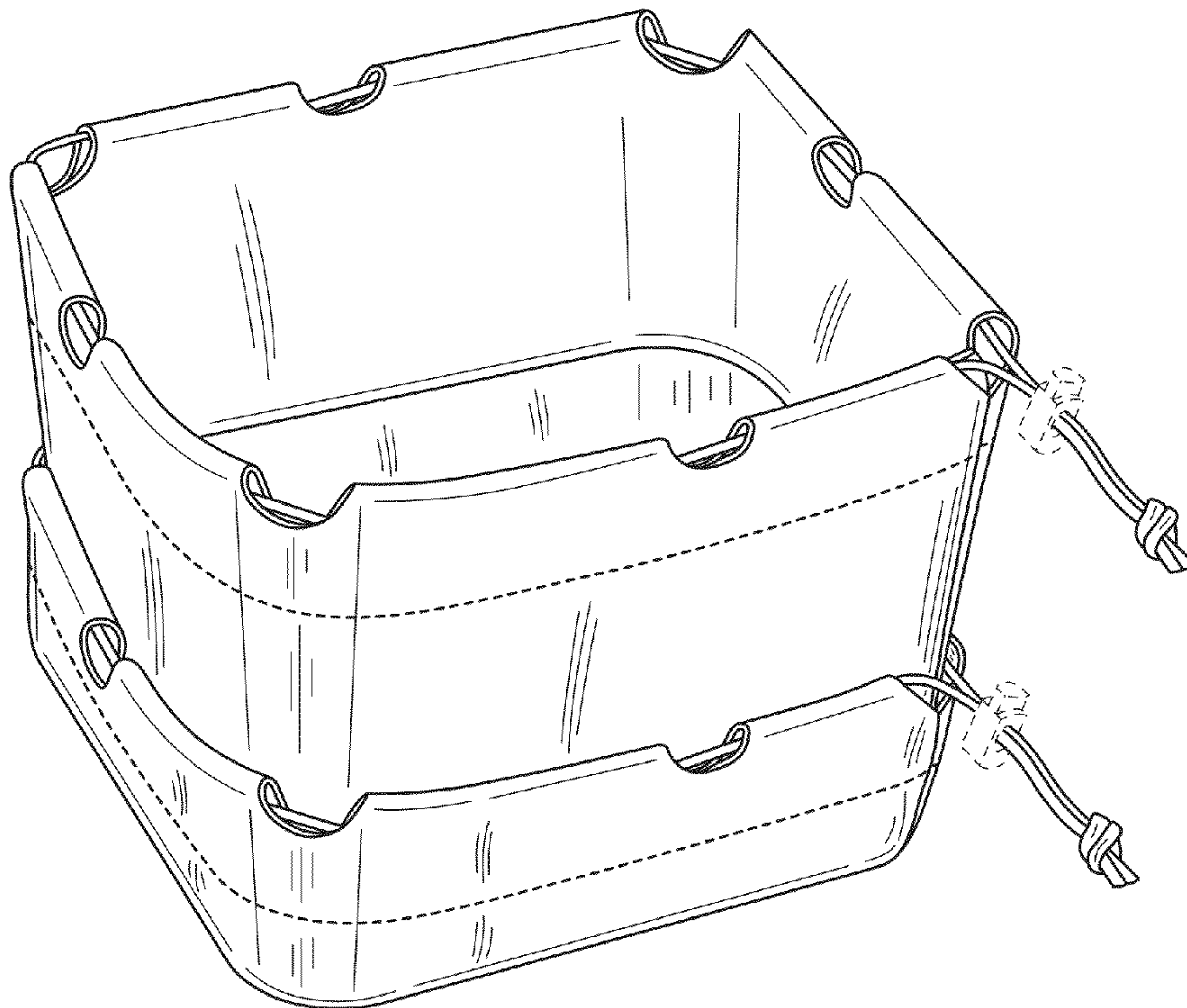
We claim the ornamental design for an open top planter bag, as shown.

DESCRIPTION

FIG. 1 is a front perspective view of the open top planter bag showing our new design;
 FIG. 2 is a front view thereof;
 FIG. 3 is rear view thereof;
 FIG. 4 is a right side view thereof;
 FIG. 5 is a left side view thereof;
 FIG. 6 is a top view thereof; and,
 FIG. 7 is a bottom view thereof.

The broken line showing of portions of the open top planter bag is included for the purpose of illustrating environmental structure and forms no part of the claimed design.

1 Claim, 7 Drawing Sheets



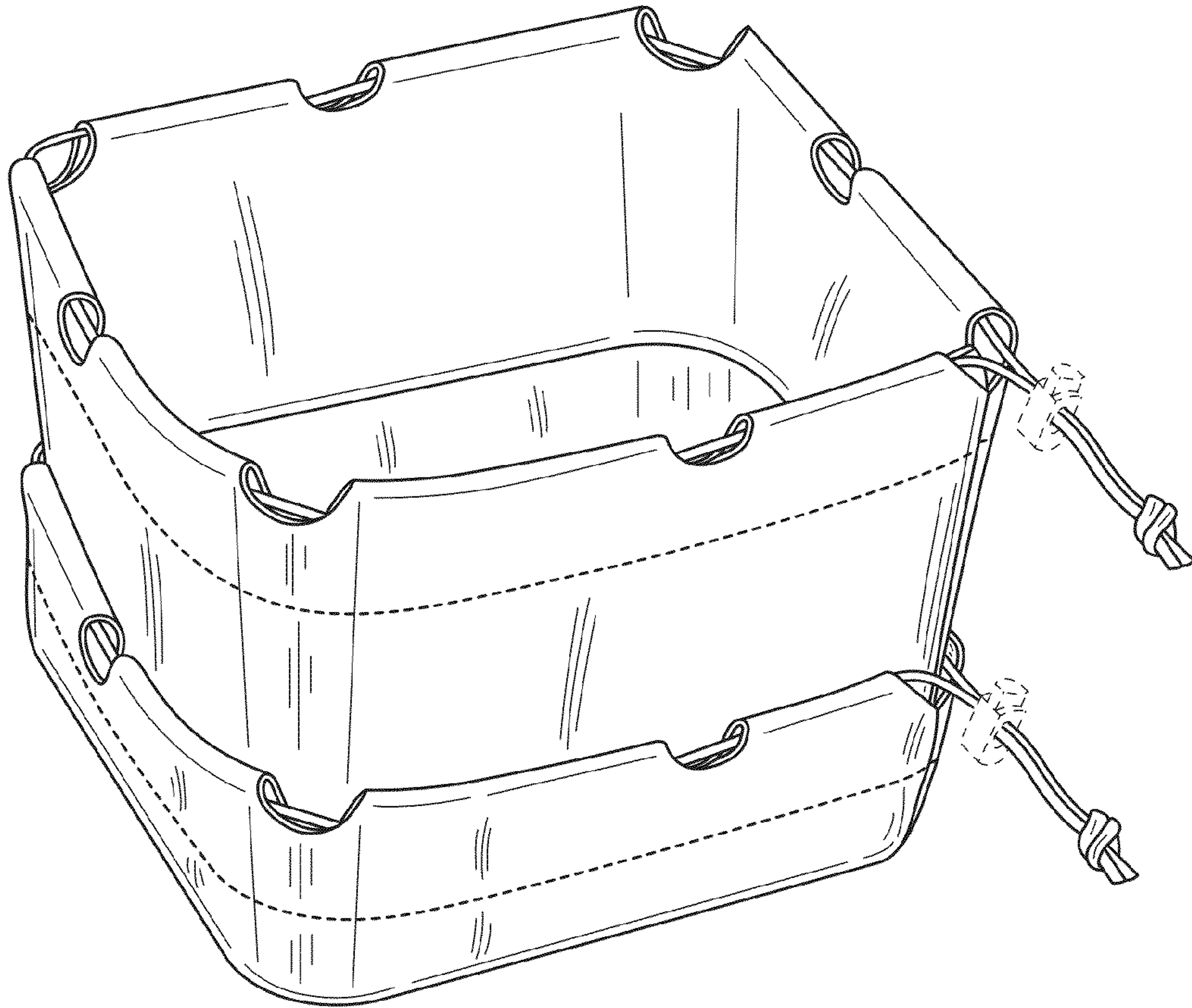


FIG.1

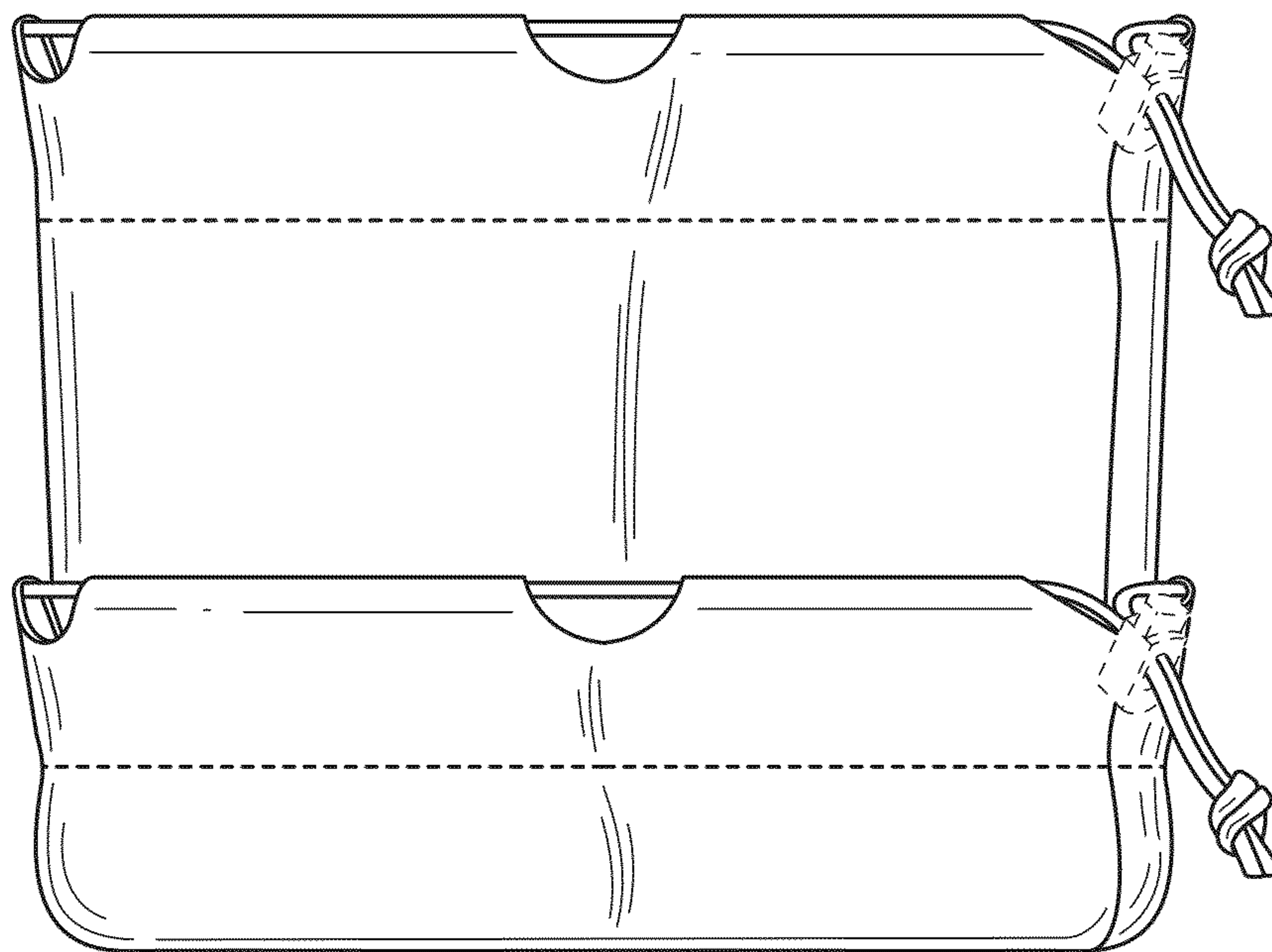


FIG.2

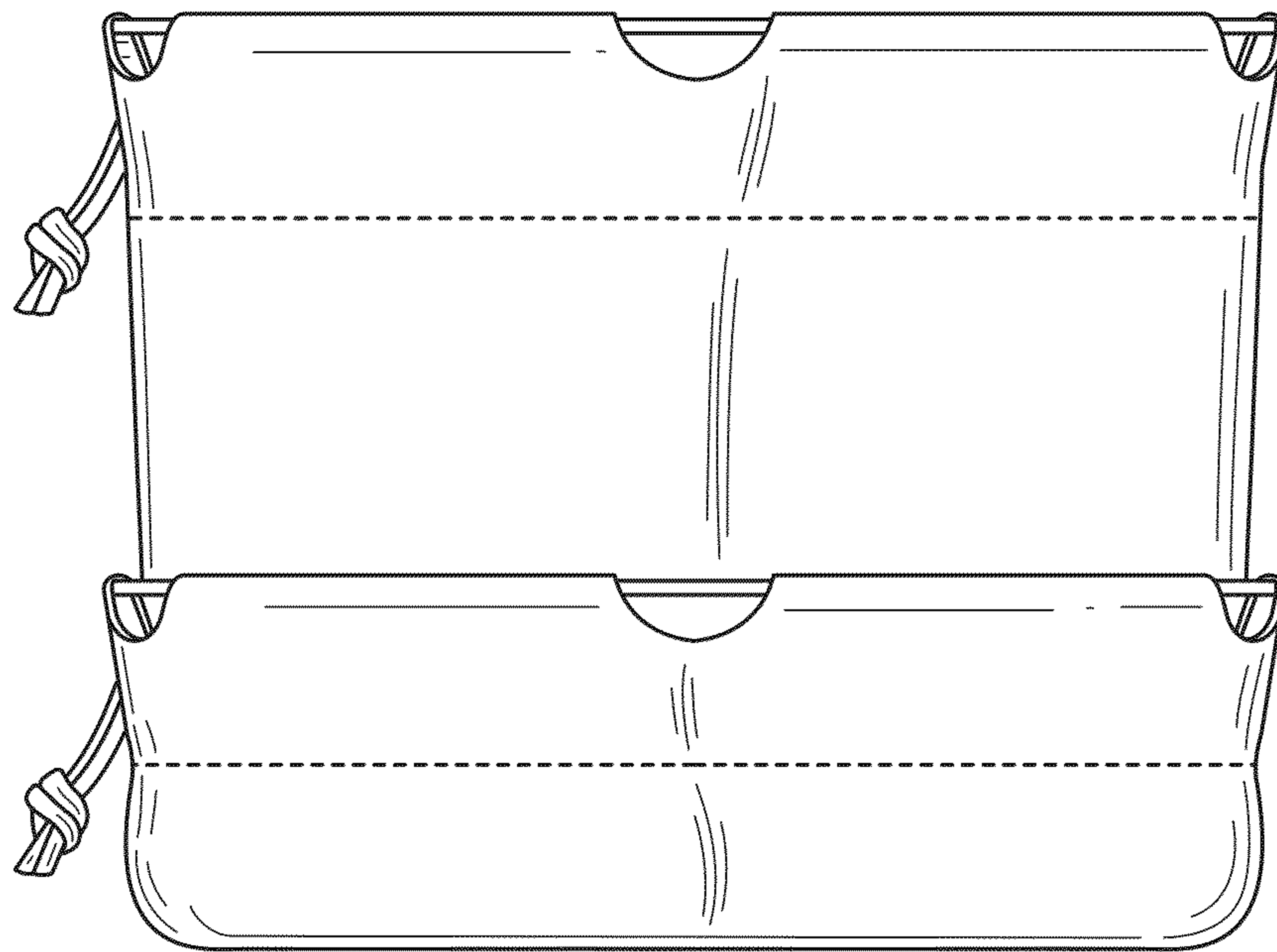


FIG.3

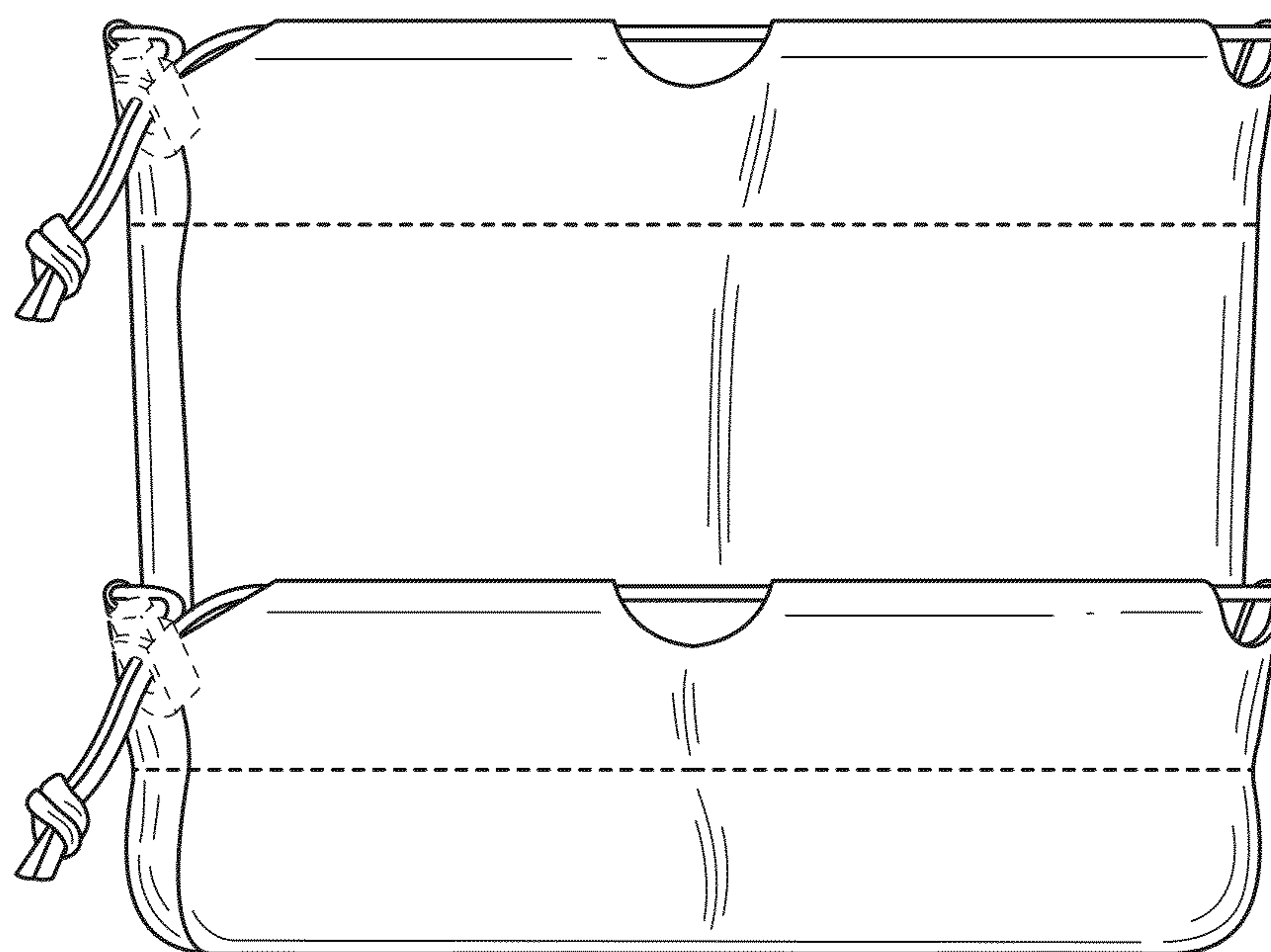


FIG.4

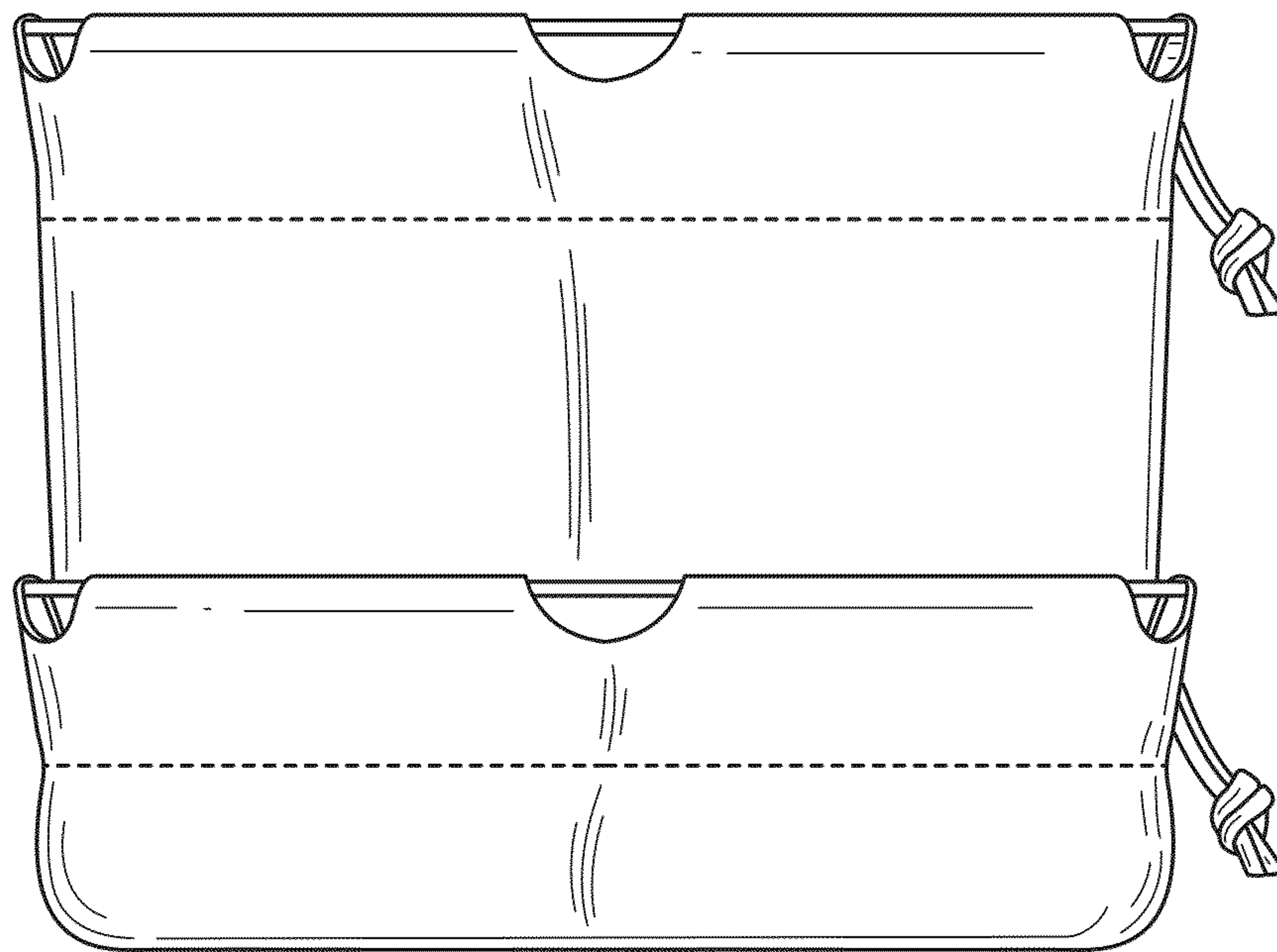


FIG.5

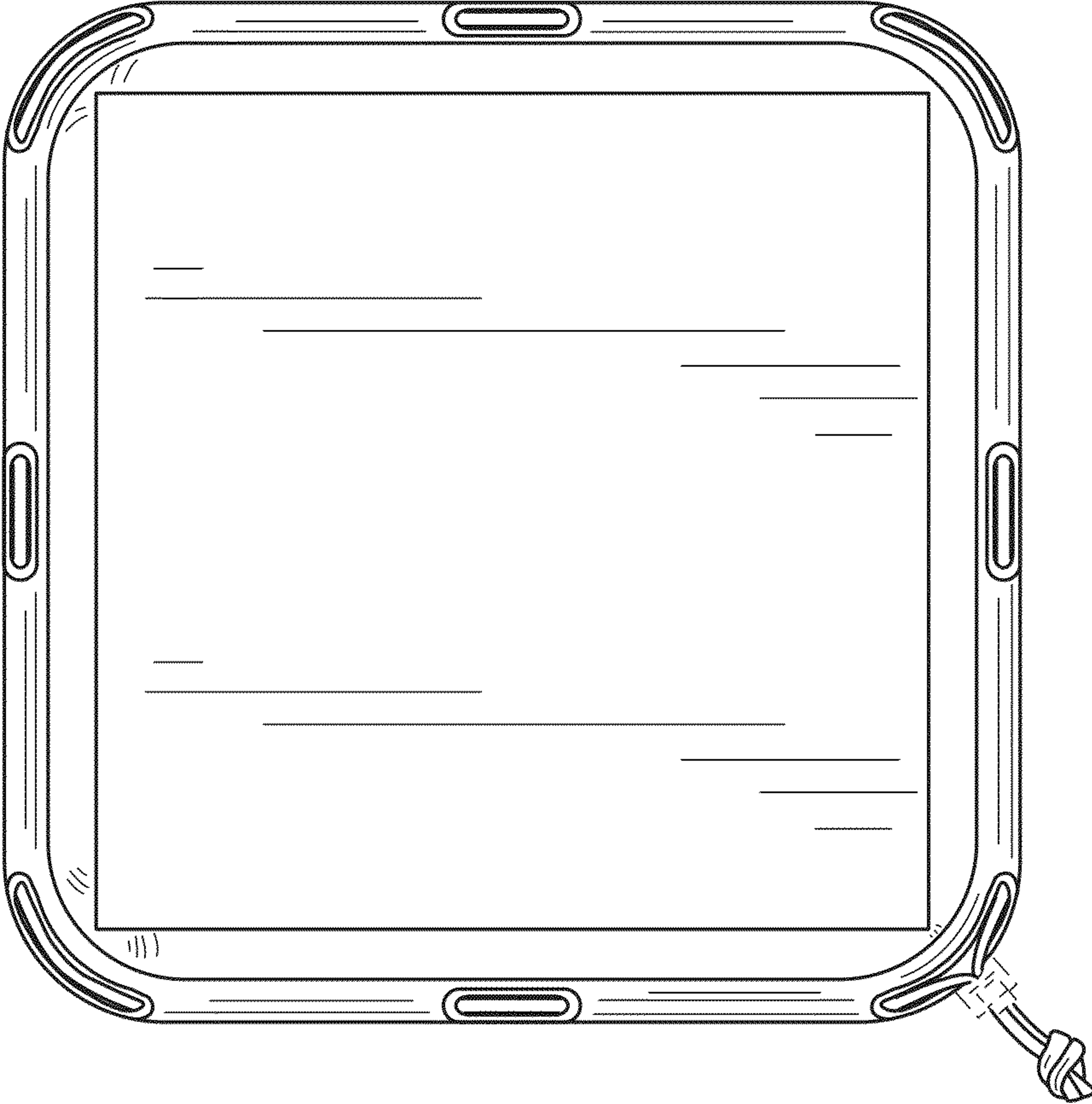


FIG.6

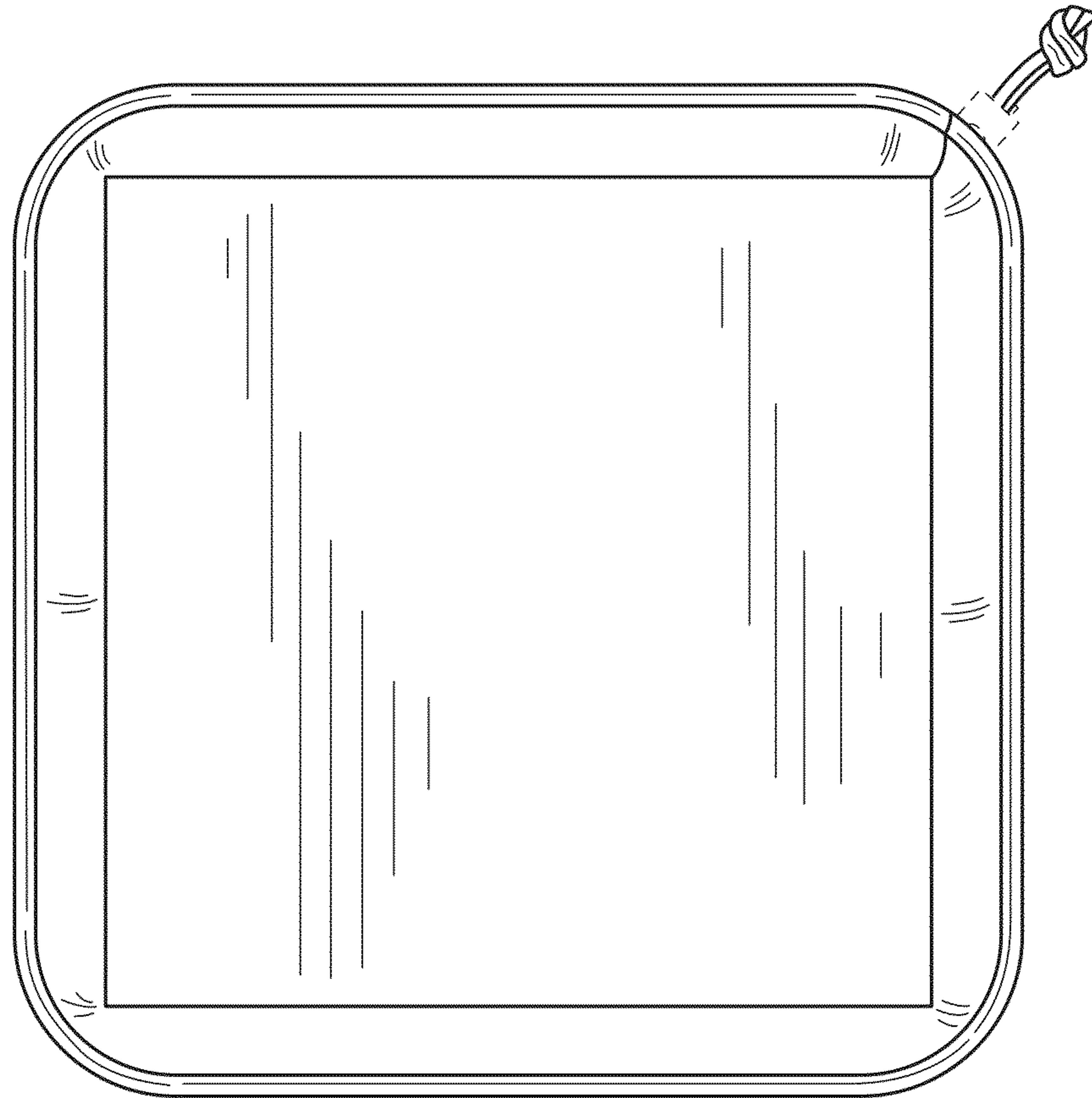


FIG.7

UNITED STATES PATENT AND TRADEMARK OFFICE
CERTIFICATE OF CORRECTION

PATENT NO. : D747,216 S
APPLICATION NO. : 29/498164
DATED : January 12, 2016
INVENTOR(S) : Cross et al.

Page 1 of 1

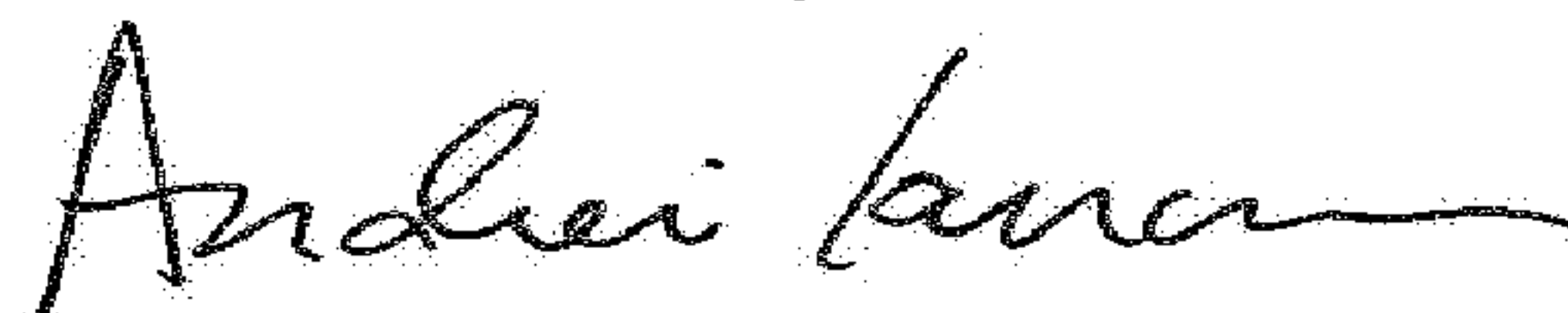
It is certified that error appears in the above-identified patent and that said Letters Patent is hereby corrected as shown below:

On the Title Page

Item (72) Inventors: should read as follows:

Inventors: Cross, John M. (Santa Fe, NM), Ananda, Sattva (Santa Fe, NM) and Hamilton, Russell G.
(Santa Fe, NM)

Signed and Sealed this
Nineteenth Day of June, 2018



Andrei Iancu
Director of the United States Patent and Trademark Office