



US00D747212S

(12) **United States Design Patent**
Staab

(10) **Patent No.:** **US D747,212 S**
(45) **Date of Patent:** **** Jan. 12, 2016**

(54) **BOTTLE**

(71) Applicant: **Mary Kay, Inc.**, Dallas, TX (US)

(72) Inventor: **Jenny DeMarco Staab**, Frisco, TX (US)

(73) Assignee: **Mary Kay Inc.**, Addison, TX (US)

(**) Term: **14 Years**

(21) Appl. No.: **29/476,519**

(22) Filed: **Dec. 13, 2013**

(51) **LOC (10) Cl.** **09-01**

(52) **U.S. Cl.**
USPC **D9/559**; D9/568

(58) **Field of Classification Search**
USPC D4/114; D7/300, 301, 500, 505, 507,
D7/509, 510, 511, 514, 515, 526, 530, 560,
D7/561, 566, 571, 601, 602, 619.1;
D9/430, 516, 544, 546, 553, 555, 559,
D9/566, 568, 651, 715, 719, 730, 738;
D19/93; D23/366; D28/91.1; 206/581;
215/355, 379, 381-385, 396, 398;
220/660, 662, 669-675; 222/153.1,
222/372, 373, 383.1, 401, 402, 631;
392/403

See application file for complete search history.

(56) **References Cited**

U.S. PATENT DOCUMENTS

D76,142 S	8/1928	Liddell	D9/544
D77,110 S	12/1928	McEldowney	D28/91
D82,653 S	12/1930	Babbas	D9/573
D106,370 S	10/1937	Pancoast	D9/563
D115,343 S	6/1939	Burgund	D9/560
D120,147 S *	4/1940	Steuer	D9/568
D213,041 S *	12/1968	Stahl	D9/529
D218,282 S	8/1970	Heintze	D7/316
D218,318 S	8/1970	Heintze	D7/316

D261,109 S *	10/1981	Rosenblatt et al.	D9/544
D268,814 S *	5/1983	Scalice	D9/544
D280,181 S	8/1985	Vitrac	D9/529
D299,429 S	1/1989	Dinand	D9/566
D314,143 S	1/1991	Dinand	D9/544
D322,565 S	12/1991	Durand	D9/573
D350,604 S	9/1994	Weiss et al.	D24/131
D356,502 S	3/1995	Poandl	D9/520
D378,059 S *	2/1997	De Baschmakoff	D9/544
D412,283 S	7/1999	de Baschmakoff	D9/544
D423,370 S	4/2000	Lewin	D9/572
D426,775 S	6/2000	Zimmer et al.	D9/542
D428,343 S	7/2000	Waitzenegger	D9/544
D438,096 S	2/2001	Lehnert	D9/694
D440,880 S	4/2001	Faucon	D9/544
D446,124 S	8/2001	Lehnert	D9/522
D456,271 S *	4/2002	Maloney	D9/560
D463,985 S	10/2002	Bakic	D9/574

(Continued)

Primary Examiner — Susan Bennett Hattan

Assistant Examiner — Leanne Was

(74) *Attorney, Agent, or Firm* — Norton Rose Fulbright US LLP

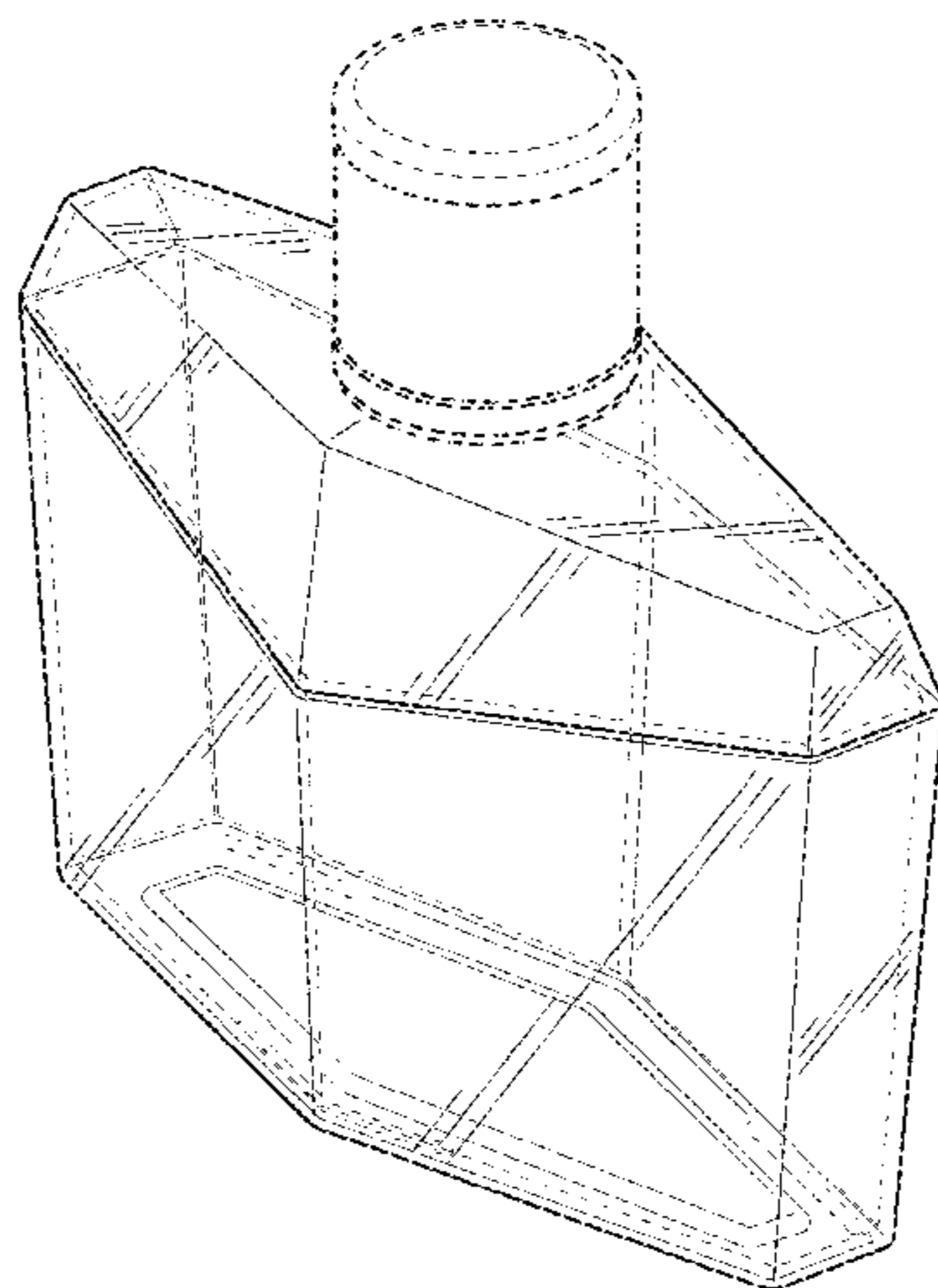
(57) **CLAIM**

The ornamental design for a bottle, as shown and described.

DESCRIPTION

FIG. 1 is a front, right perspective view of a bottle showing my design;
FIG. 2 is a front elevation view of the bottle shown in FIG. 1;
FIG. 3 is a back elevation view of the bottle shown in FIG. 1;
FIG. 4 is a right side elevation view of the bottle shown in FIG. 1;
FIG. 5 is a left side elevation view of the bottle shown in FIG. 1;
FIG. 6 is a top plan view of the bottle shown in FIG. 1; and,
FIG. 7 is a bottom plan view of the bottle shown in FIG. 1.
The broken lines in FIGS. 1-7 depict portions of the bottle that form no part of the claimed design.

1 Claim, 5 Drawing Sheets



(56)

References Cited

U.S. PATENT DOCUMENTS

D467,182 S	12/2002	Pelusi	D9/556	D576,052 S	9/2008	Lloyd et al.	D9/694
D471,467 S *	3/2003	Kokubo et al.	D9/566	D587,596 S *	3/2009	Lloyd	D9/694
D489,271 S	5/2004	Soomar	D9/561	D588,469 S *	3/2009	Pininfarina	D9/687
D497,555 S	10/2004	Lecoule	D9/572	D589,814 S	4/2009	Holzner et al.	D9/547
D518,730 S *	4/2006	Caserta et al.	D9/522	D604,619 S	11/2009	Tebe Poves et al.	D9/522
D529,813 S *	10/2006	Modjeski	D9/546	D604,629 S *	11/2009	Aebi	D9/544
D530,213 S *	10/2006	Modjeski	D9/546	D607,744 S	1/2010	Laird et al.	D9/573
D530,216 S *	10/2006	Modjeski	D9/566	D610,013 S	2/2010	Mendelson	D9/522
D531,911 S	11/2006	Lloyd	D9/546	D612,259 S	3/2010	Legros	D9/566
D535,890 S	1/2007	Herrmann	D9/571	D620,804 S	8/2010	Bogert et al.	D9/544
D536,259 S	2/2007	Herrmann	D9/573	D621,712 S *	8/2010	Tomas Vilarrasa et al. ...	D9/522
D538,675 S	3/2007	Dalton	D9/573	D632,969 S	2/2011	Monteparo et al.	D9/544
D542,144 S	5/2007	Herrmann	D9/560	D639,667 S	6/2011	Bogert et al.	D9/544
D542,670 S	5/2007	Herrmann	D9/560	D643,733 S	8/2011	Aebi	D9/544
D544,362 S *	6/2007	Rica	D9/544	D645,341 S *	9/2011	Bhattacharya	D9/430
D553,505 S	10/2007	Oner	D9/559	D653,943 S *	2/2012	Bhattacharya	D9/430
D574,248 S	8/2008	Baraky et al.	D9/529	D656,830 S	4/2012	Rodriguez	D9/520
				D674,704 S	1/2013	Baissan	D9/569
				D680,004 S	4/2013	Lecetre et al.	D9/573

* cited by examiner

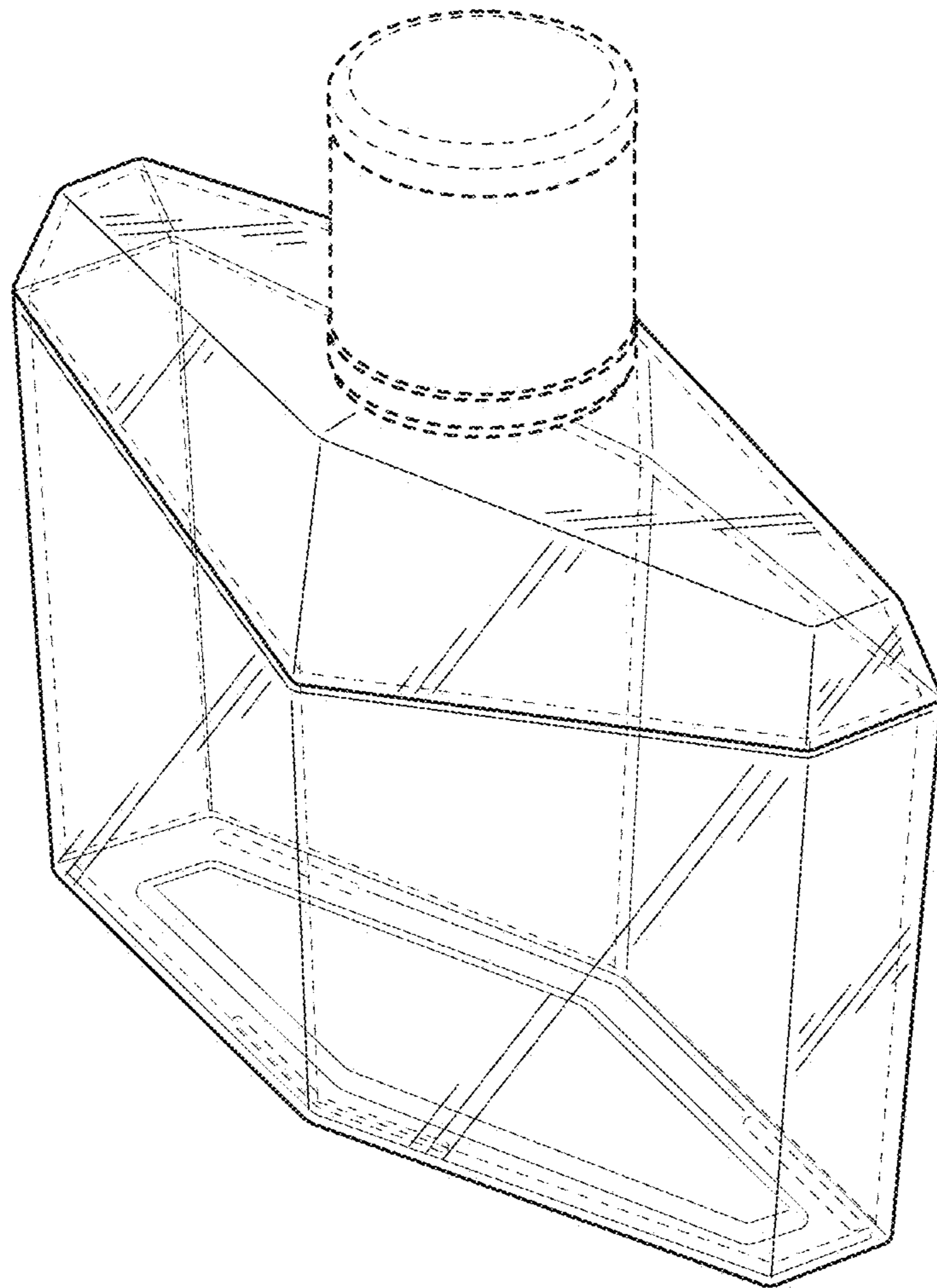


FIG. 1

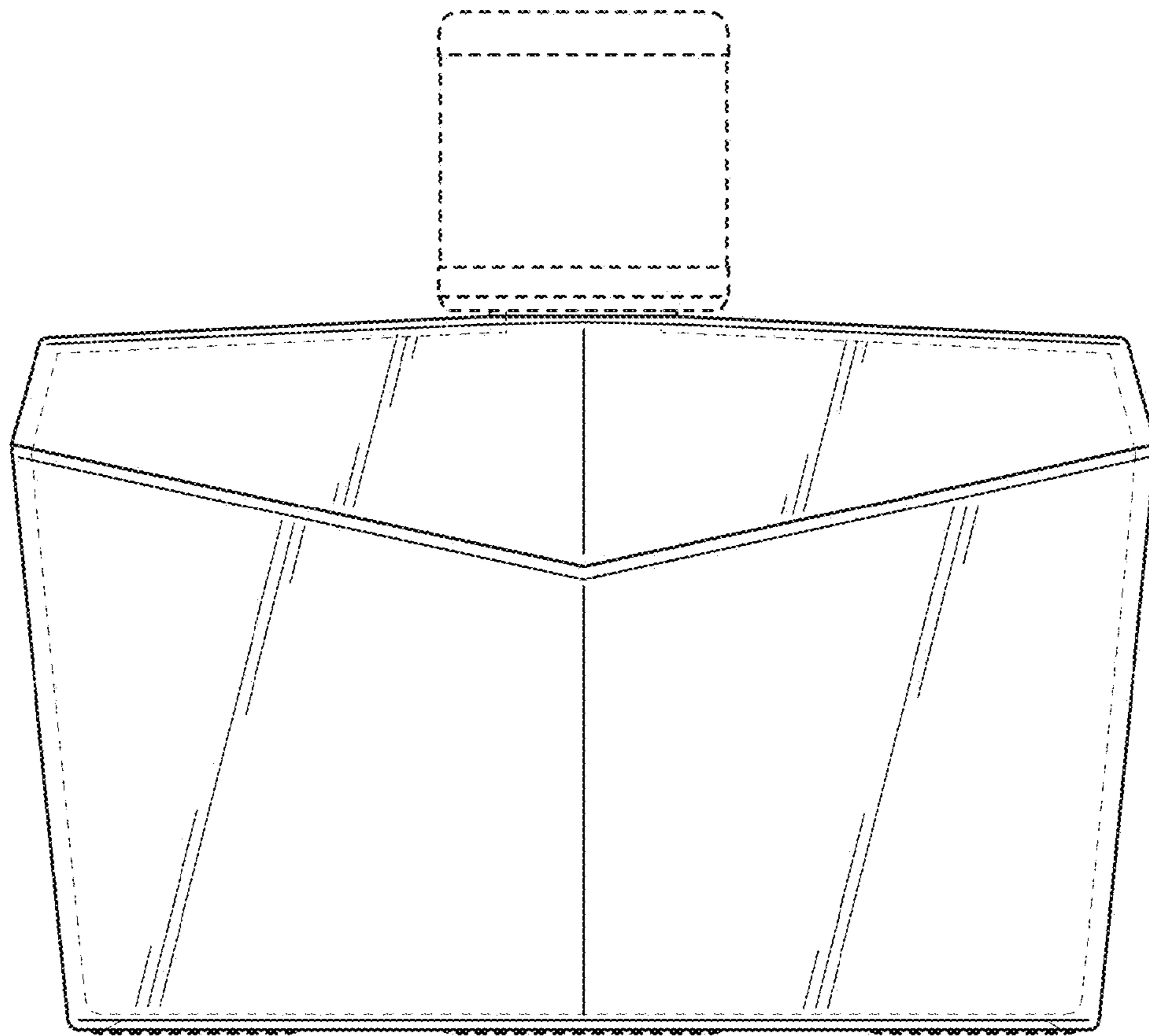


FIG. 2

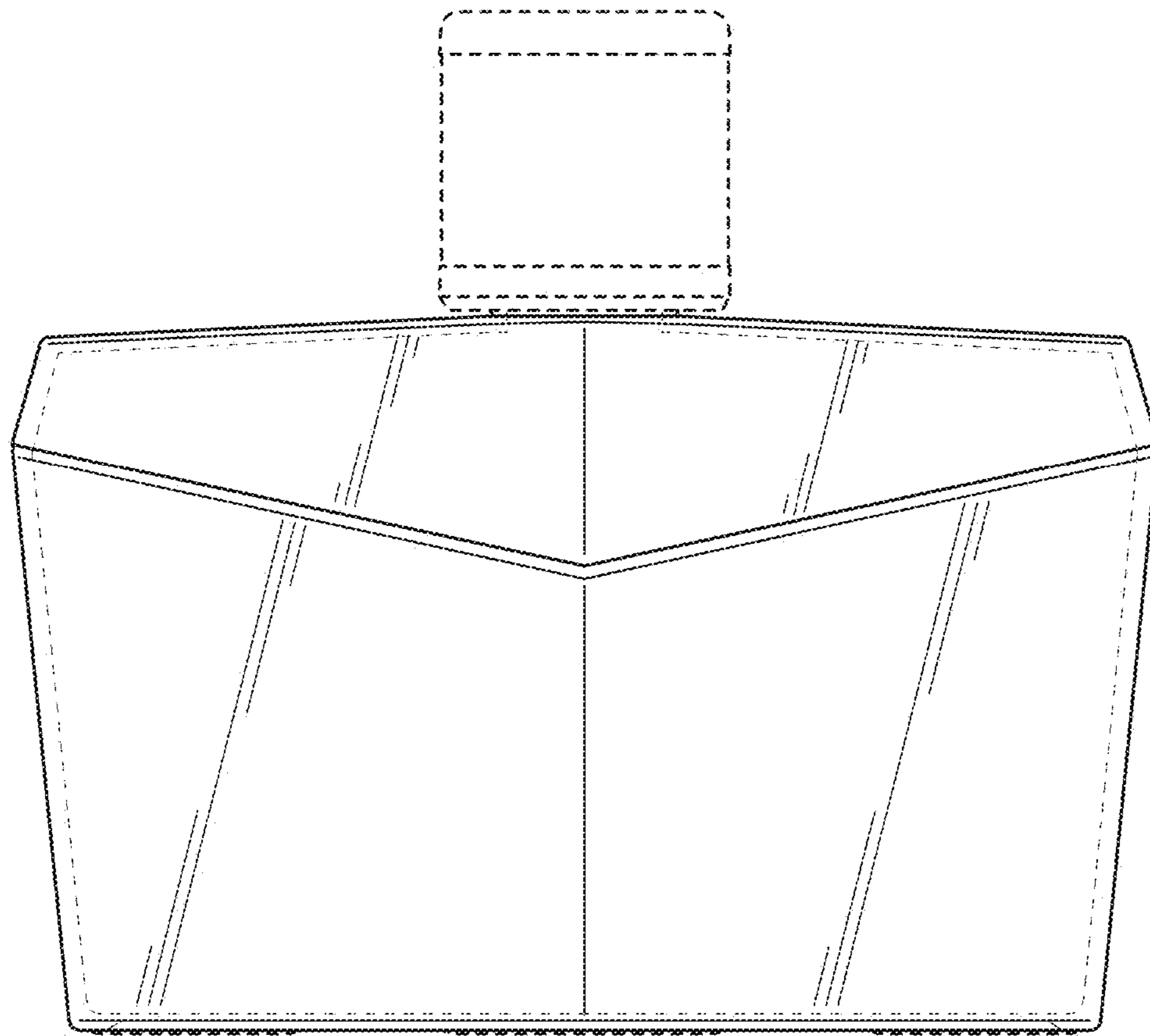


FIG. 3

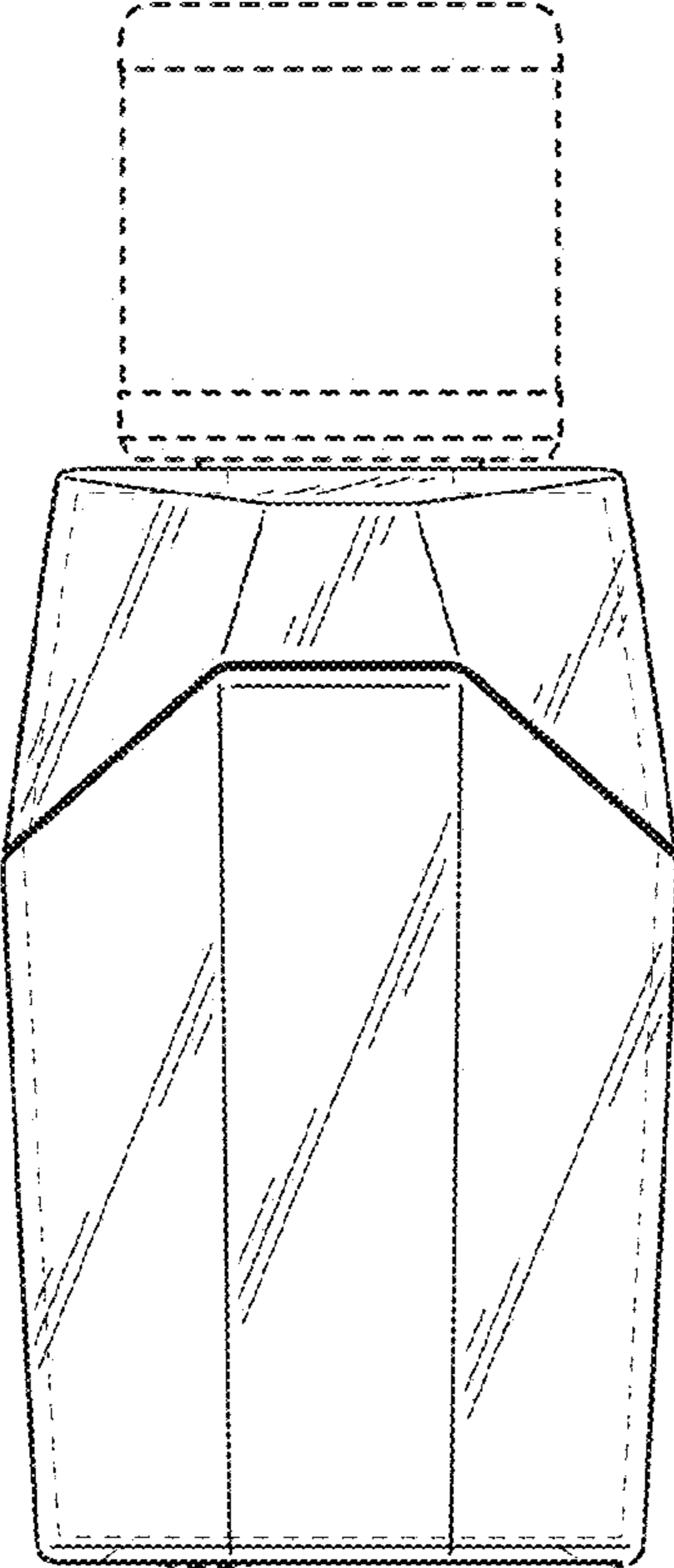


FIG. 4

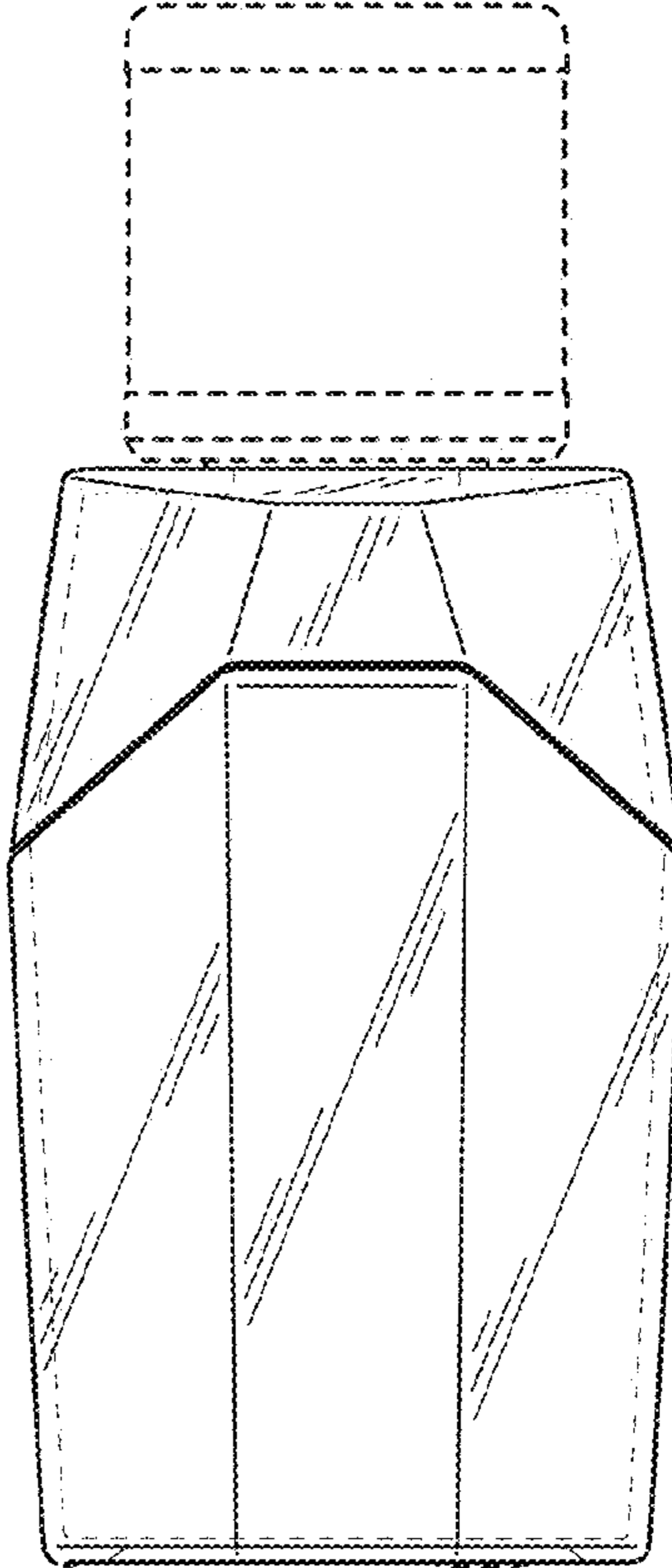


FIG. 5

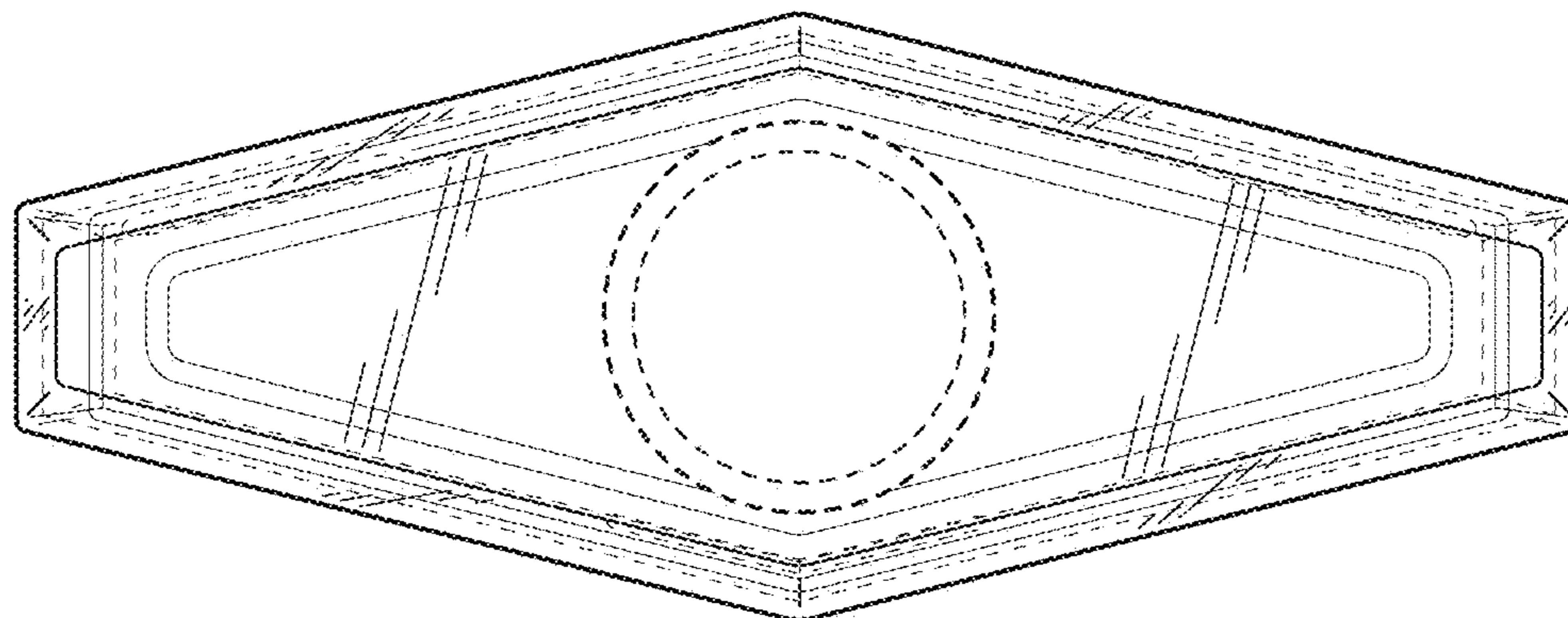


FIG. 6

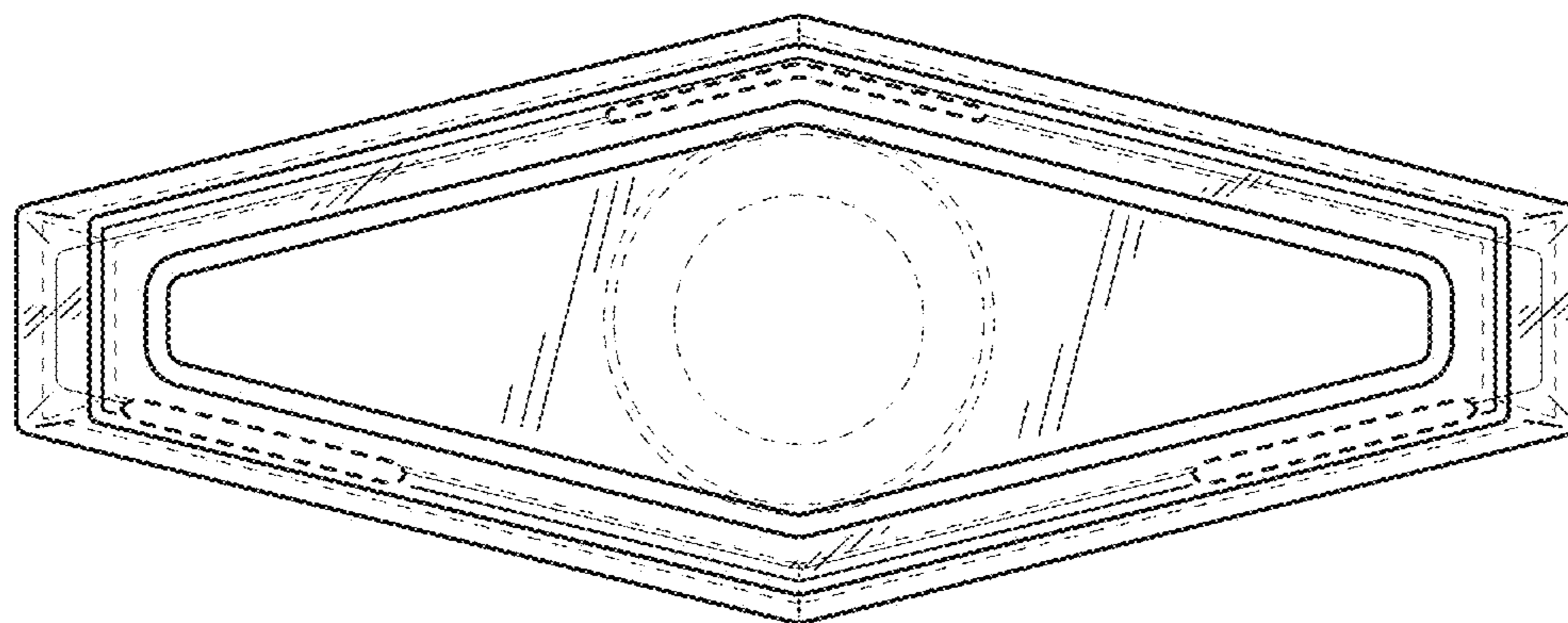


FIG. 7