



US00D747203S

(12) **United States Design Patent**  
**Merchant et al.**

(10) **Patent No.:** **US D747,203 S**  
(45) **Date of Patent:** **\*\* \*Jan. 12, 2016**

(54) **OVER THE COUNTER MEDICINAL CONTAINER WITH SURFACE ORNAMENTATION**

(71) Applicant: **The Procter & Gamble Company,**  
Cincinnati, OH (US)

(72) Inventors: **Jennifer Marie Merchant,** Cincinnati, OH (US); **Jean Martin Campbell,** Cincinnati, OH (US); **Scott Cunningham,** Cincinnati, OH (US); **Kevin Wimmer,** Union Township, OH (US)

(73) Assignee: **The Procter & Gamble Company,**  
Cincinnati, OH (US)

(\* ) Notice: This patent is subject to a terminal disclaimer.

(\*\*) Term: **14 Years**

(21) Appl. No.: **29/471,758**

(22) Filed: **Nov. 5, 2013**

**Related U.S. Application Data**

(63) Continuation-in-part of application No. 29/401,262, filed on Sep. 9, 2011, now Pat. No. Des. 703,533.

(51) **LOC (10) Cl.** ..... **09-01**

(52) **U.S. Cl.**  
USPC ..... **D9/516**

(58) **Field of Classification Search**  
USPC ..... D9/414, 434, 457, 500, 502-505, 516, D9/549, 552, 558, 561, 571; D14/485, D14/488-489; D20/11, 22, 27, 42; 215/379, 215/381-382; 220/660, 669, 675  
CPC ..... B65D 1/00; B65D 1/02; B65D 1/0223; B65D 1/40; B65D 23/00; B65D 23/12; B65D 23/14; B65D 2203/00; B65D 2203/02; B65D 2501/0009

See application file for complete search history.

(56) **References Cited**

U.S. PATENT DOCUMENTS

D562,692 S \* 2/2008 Norton et al. .... D9/649  
D562,694 S \* 2/2008 Norton et al. .... D9/649

(Continued)

FOREIGN PATENT DOCUMENTS

WO DM/077913 \* 2/2012

*Primary Examiner* — Dana L Meyrow

(74) *Attorney, Agent, or Firm* — Alexandra S. Anoff

(57) **CLAIM**

The ornamental design for an over the counter medicinal container with surface ornamentation, as shown and described.

**DESCRIPTION**

FIG. 1 is a perspective view of an over the counter medicinal container with surface ornamentation embodying our new design;

FIG. 2 is a front view thereof;

FIG. 3 is a left side view thereof;

FIG. 4 is a right side view thereof;

FIG. 5 is a rear view thereof;

FIG. 6 is a top view thereof;

FIG. 7 is a bottom view thereof;

FIG. 8 is a perspective view of a second embodiment of an over the counter medicinal container with surface ornamentation embodying our new design;

FIG. 9 is a front view thereof;

FIG. 10 is a left side view thereof;

FIG. 11 is a right side view thereof;

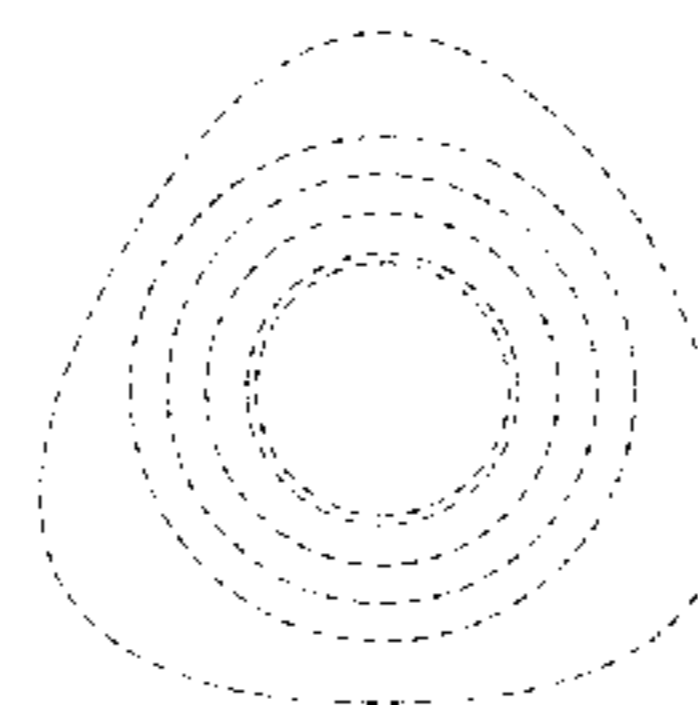
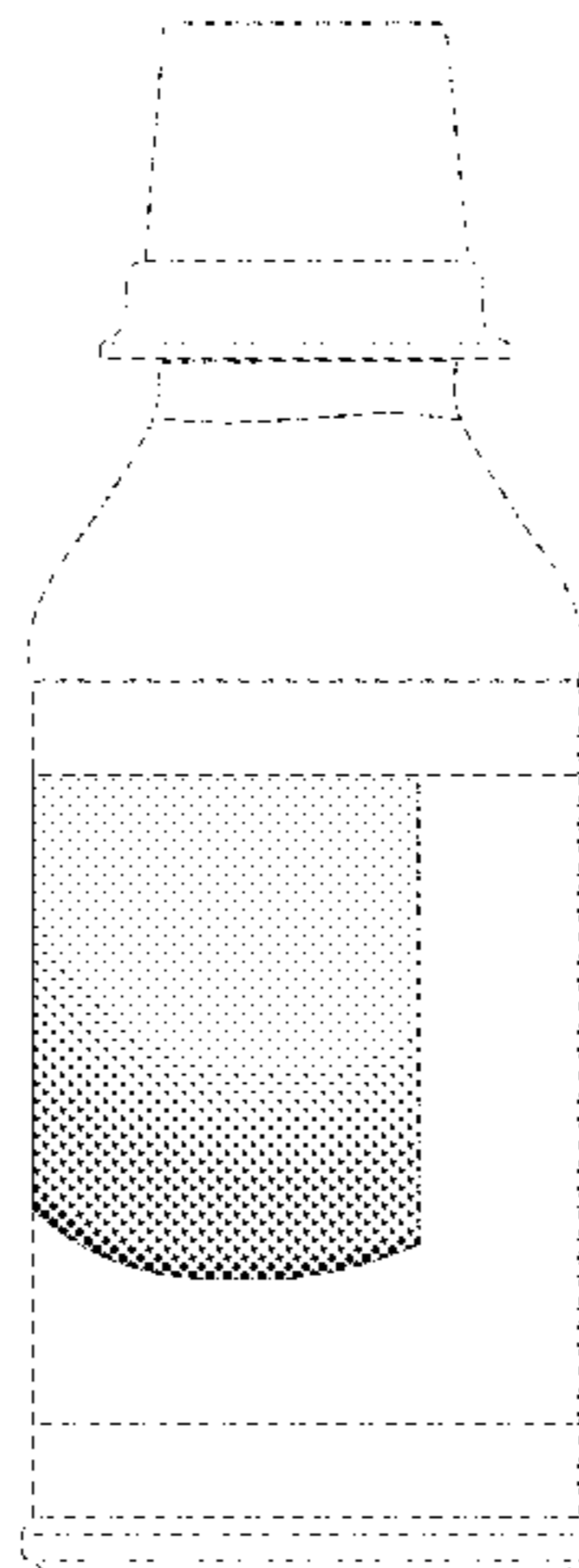
FIG. 12 is a rear view thereof;

FIG. 13 is a top view thereof; and,

FIG. 14 is a bottom view thereof.

The claim is directed to the area with applied surface treatment. All other portions of the over the counter medicinal container with surface ornamentation are not included in the claimed design. The dot-dot-dash broken lines in the drawings immediately adjacent to the shaded areas define the bounds of the claim and form no part thereof. The evenly-dashed broken lines in the drawings illustrate the portions of the design that form no part of the claim.

**1 Claim, 6 Drawing Sheets**



(56)

**References Cited**

U.S. PATENT DOCUMENTS

D566,577 S *	4/2008	Norton et al. ....	D9/644	D647,796 S *	11/2011	Sovonick et al. ....	D9/434
D587,111 S *	2/2009	Seol et al. ....	D9/432	D647,797 S *	11/2011	Sovonick et al. ....	D9/434
D590,250 S *	4/2009	Seol .....	D9/432	D648,218 S *	11/2011	Powers et al. ....	D9/516
D590,251 S *	4/2009	Seol et al. ....	D9/432	D649,044 S *	11/2011	Sovonick et al. ....	D9/434
D590,252 S *	4/2009	Seol et al. ....	D9/432	D649,877 S *	12/2011	Sovonick et al. ....	D9/434
D590,253 S *	4/2009	Seol et al. ....	D9/432	D654,370 S *	2/2012	Campbell et al. ....	D9/643
D599,201 S *	9/2009	Seol et al. ....	D9/432	D668,672 S *	10/2012	Chaudhri .....	D14/489
D600,548 S *	9/2009	Seol et al. ....	D9/432	D677,580 S *	3/2013	Powers et al. ....	D9/669
D603,701 S *	11/2009	Seol et al. ....	D9/432	D680,753 S *	4/2013	Thompson et al. ....	D5/63
D608,636 S *	1/2010	Seol .....	D9/432	D680,862 S *	4/2013	Thompson et al. ....	D9/432
D618,556 S *	6/2010	Partin et al. ....	D9/643	D680,864 S *	4/2013	Thompson et al. ....	D9/434
D622,610 S *	8/2010	Powers et al. ....	D9/645	D680,865 S *	4/2013	Thompson et al. ....	D9/434
D622,611 S *	8/2010	Powers et al. ....	D9/645	D683,216 S *	5/2013	Thompson et al. ....	D9/434
D625,196 S *	10/2010	Partin et al. ....	D9/645	D683,218 S *	5/2013	Thompson et al. ....	D9/434
D626,010 S *	10/2010	Criss et al. ....	D9/711	D701,760 S *	4/2014	Fraser et al. ....	D9/434
D634,620 S *	3/2011	Edwards .....	D9/432	D703,041 S *	4/2014	Abel et al. ....	D9/434
D634,621 S *	3/2011	Edwards .....	D9/432	D703,532 S *	4/2014	Merchant et al. ....	D9/434
D638,703 S *	5/2011	Sovonick et al. ....	D9/434	D703,533 S *	4/2014	Merchant et al. ....	D9/434
				D706,630 S *	6/2014	Merchant et al. ....	D9/434
				D707,122 S *	6/2014	Merchant et al. ....	D9/434
				D711,737 S *	8/2014	Hara et al. ....	D9/432

\* cited by examiner

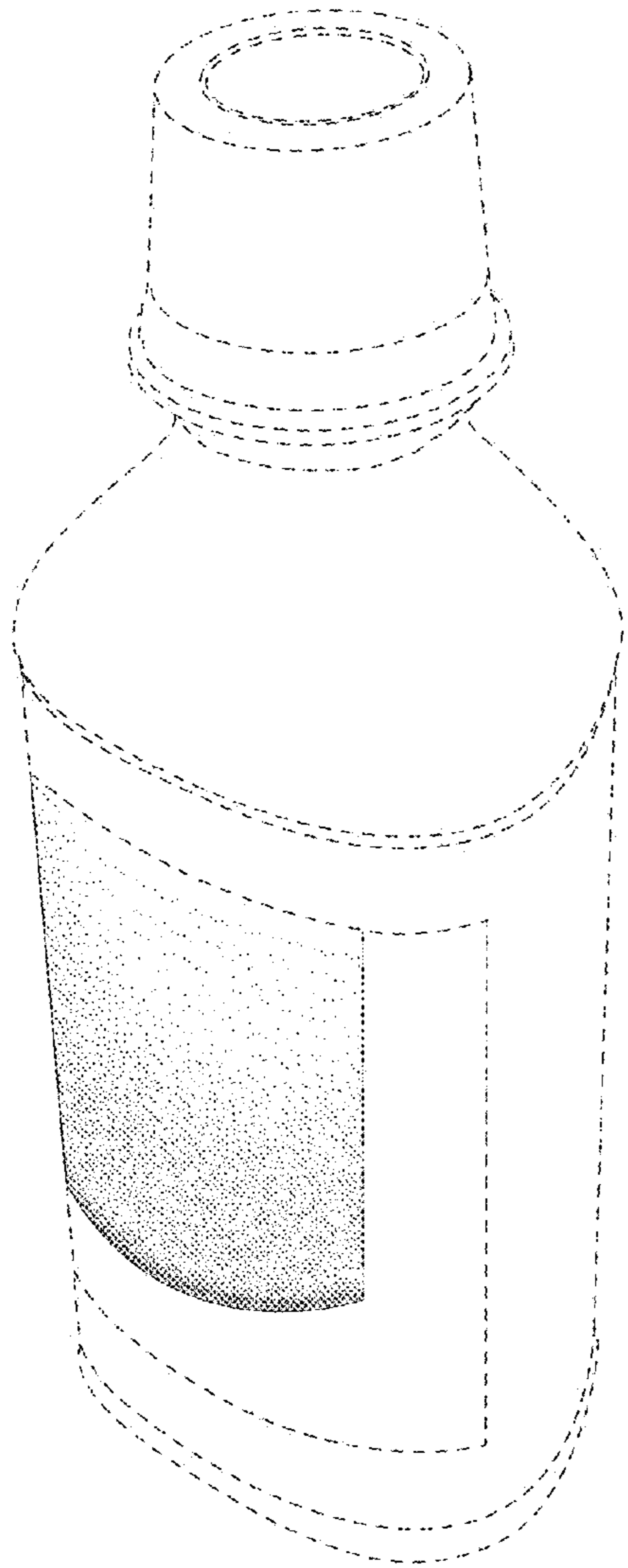


Fig. 1

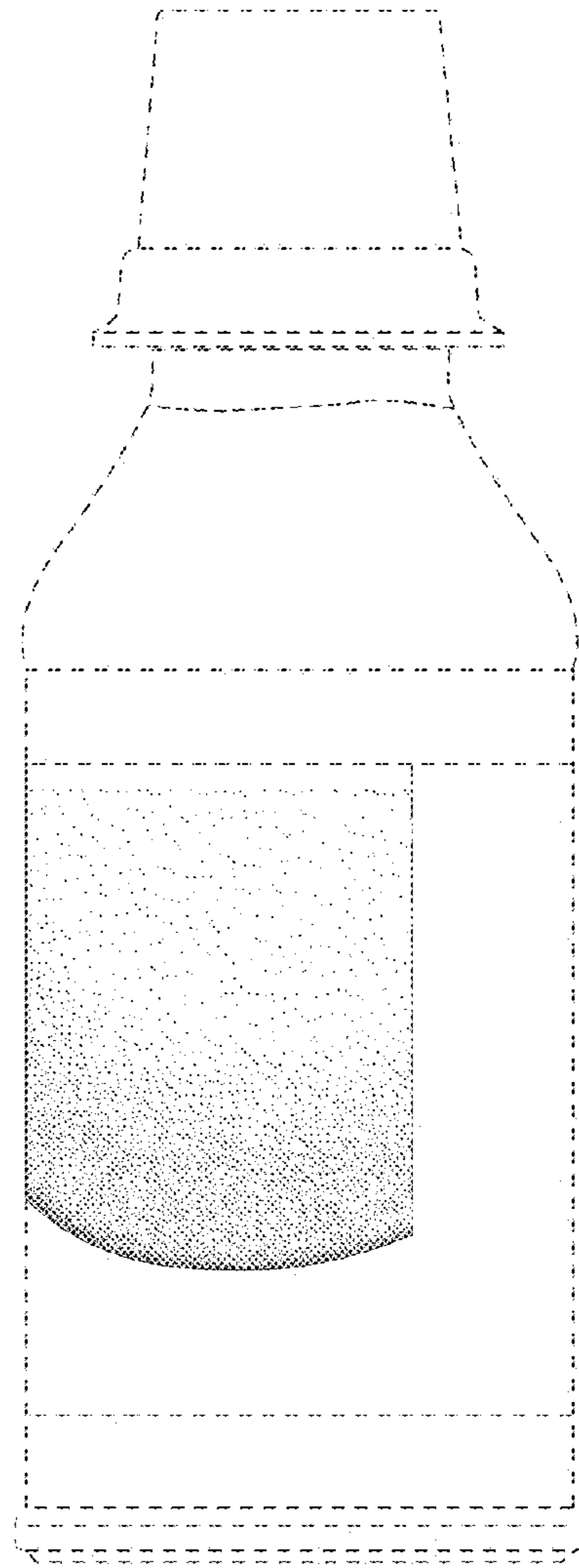


Fig. 2

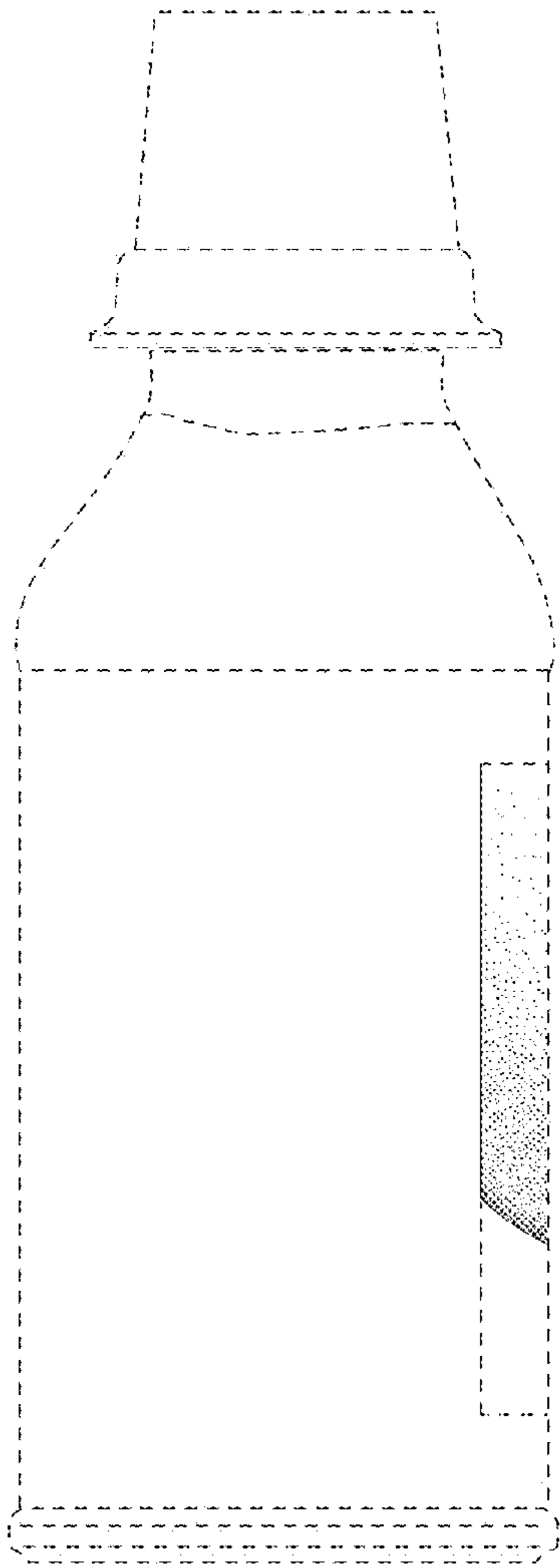


Fig. 3

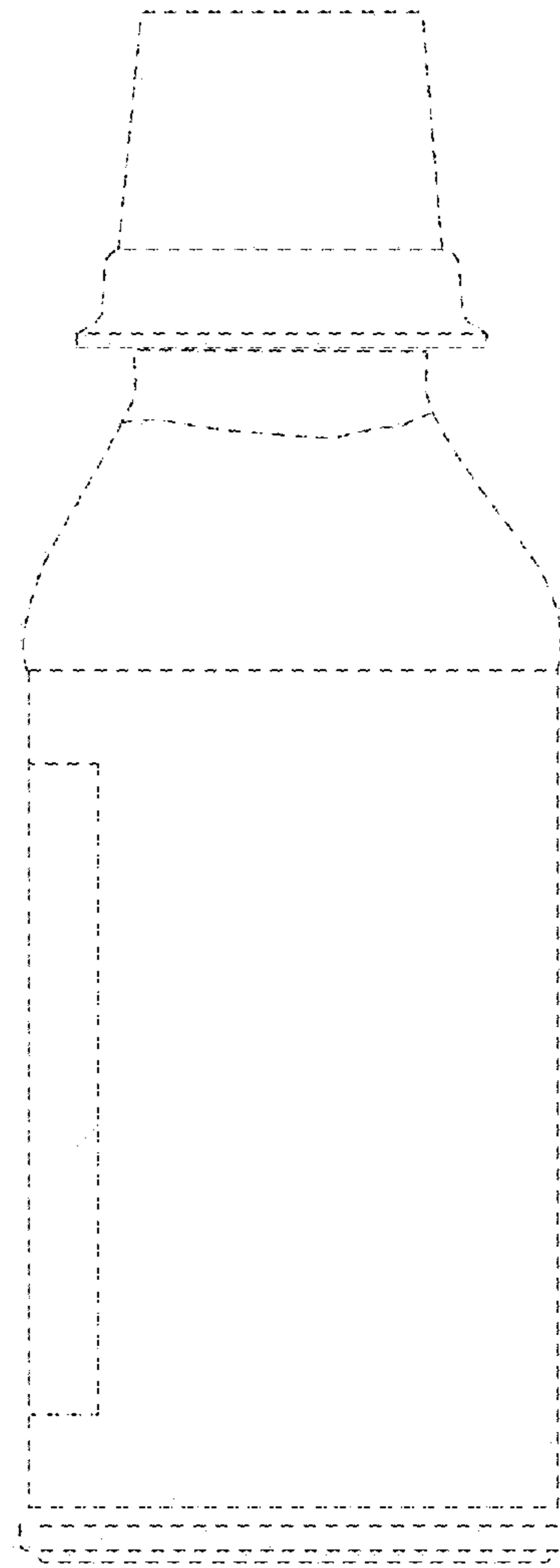


Fig. 4

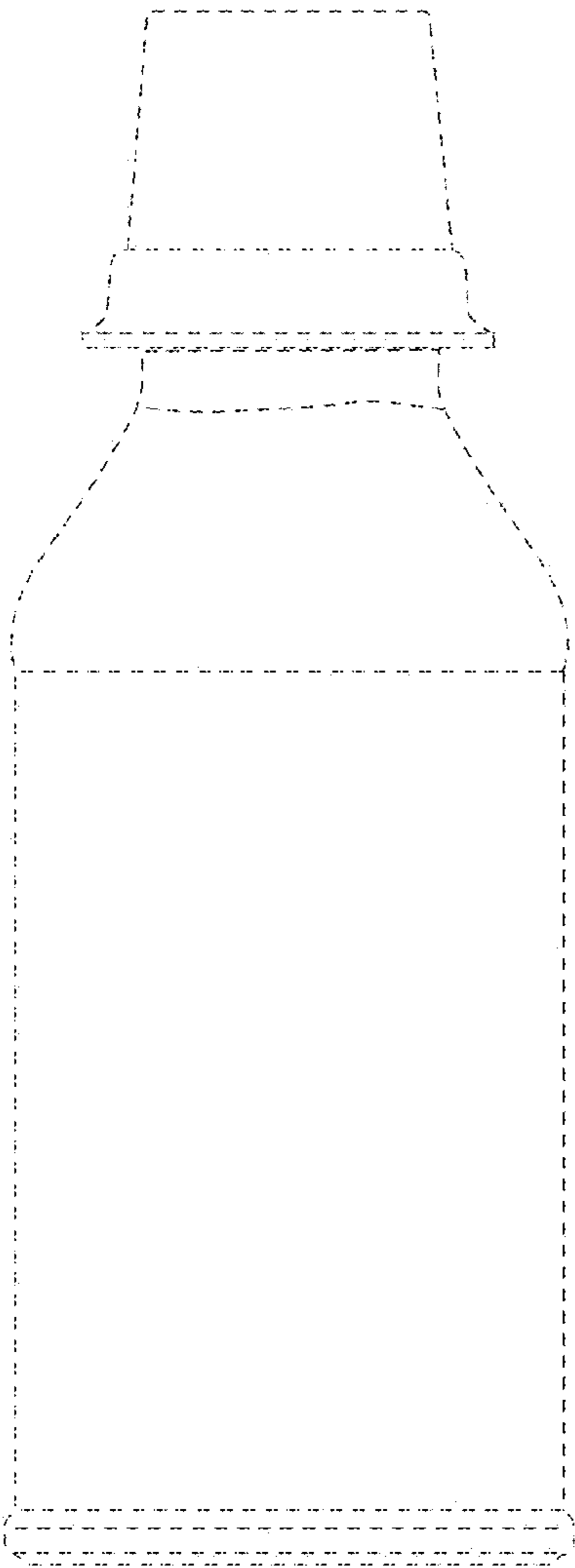


Fig. 5

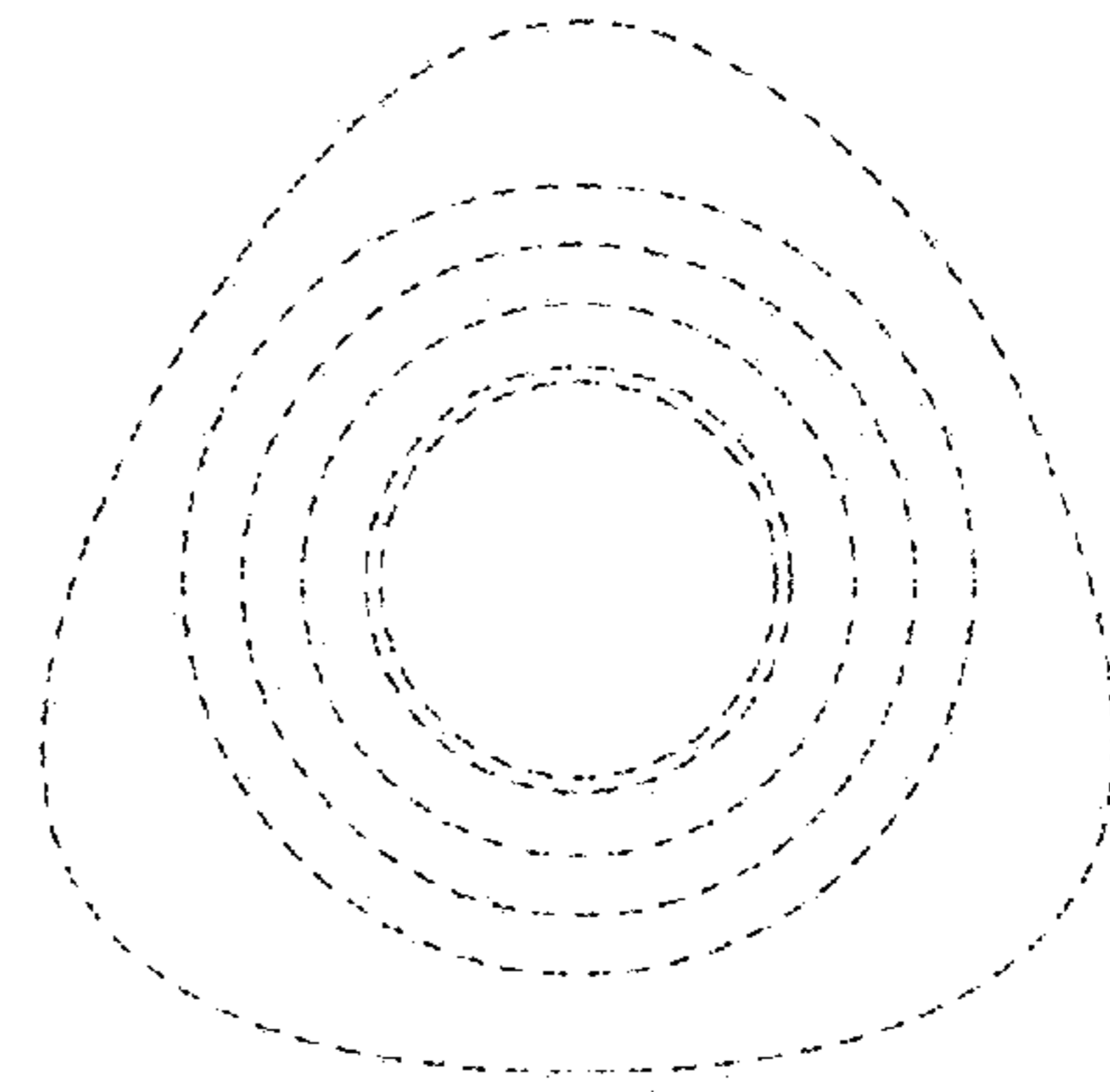


Fig. 6

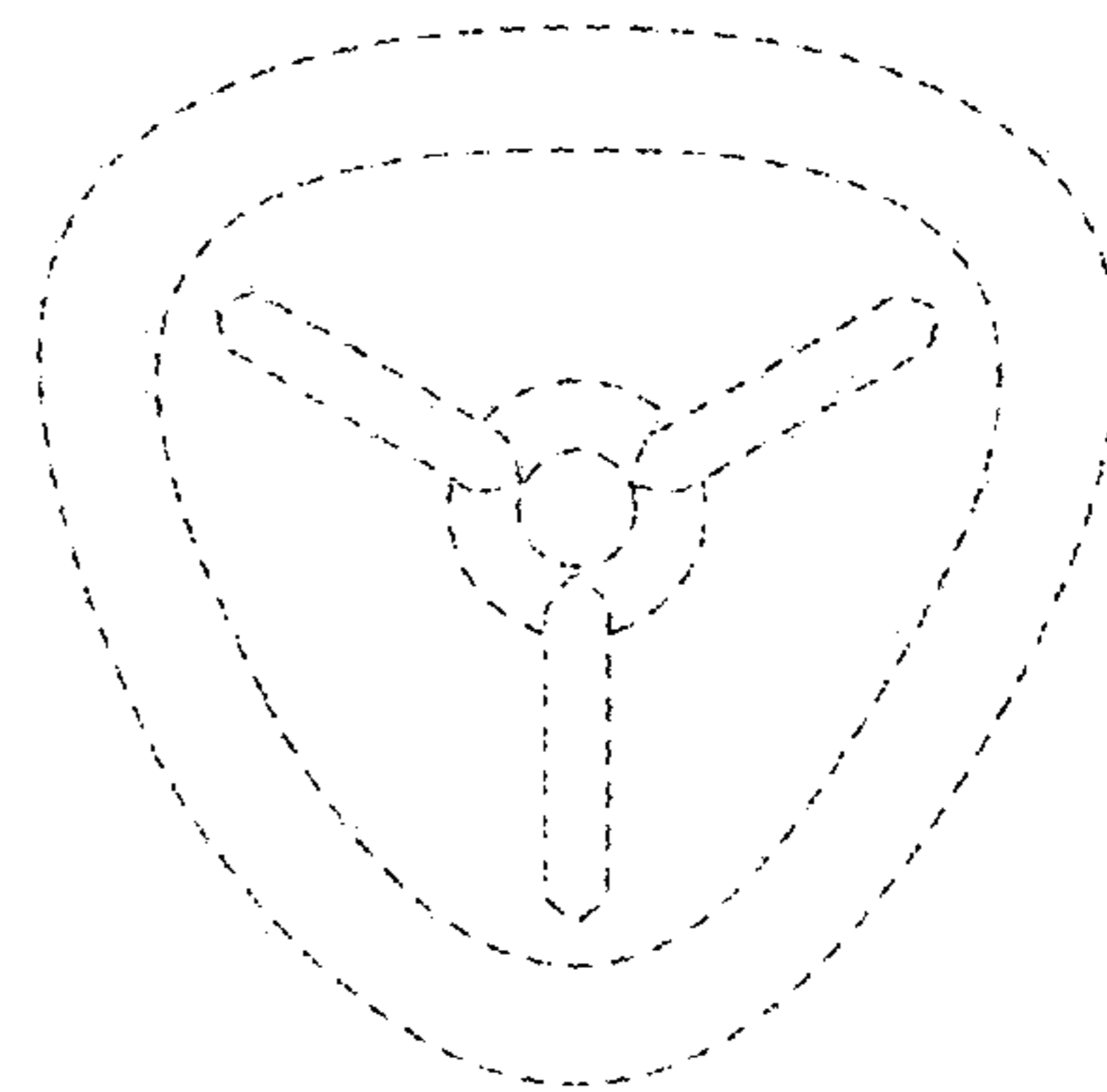


Fig. 7



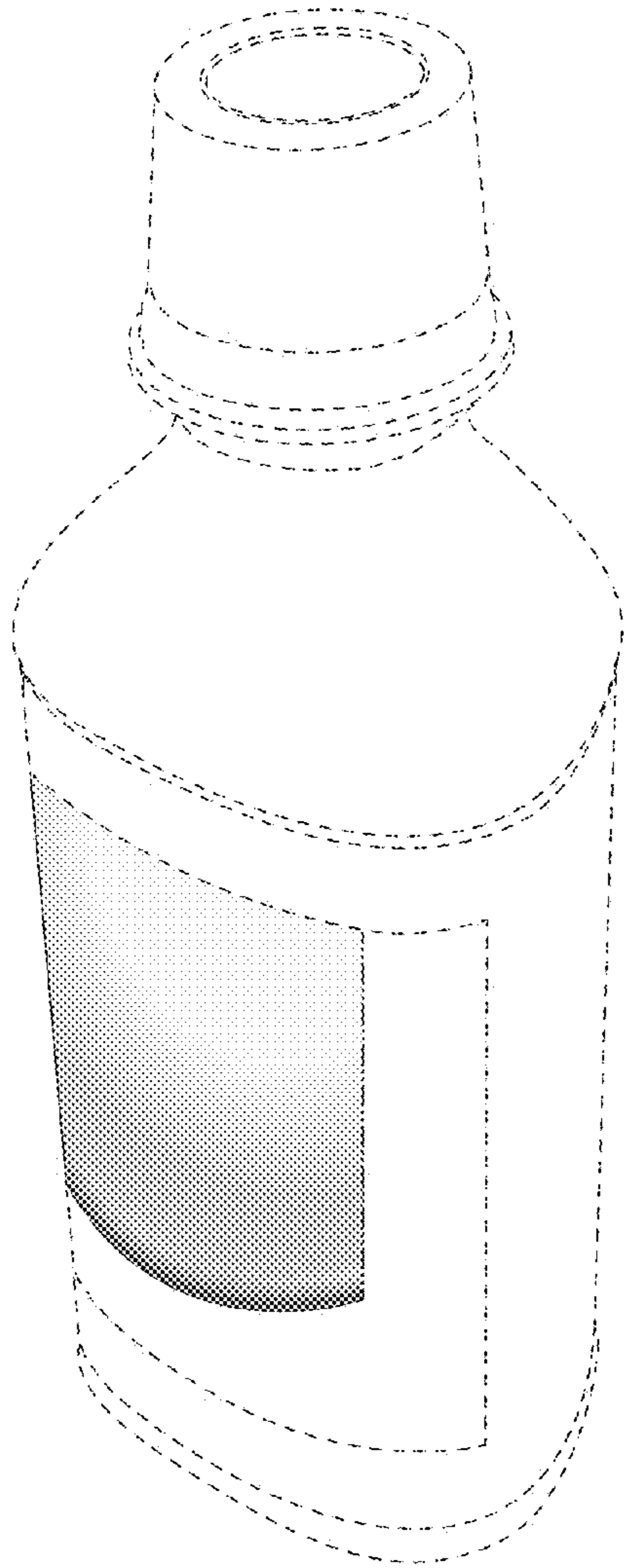


Fig. 8

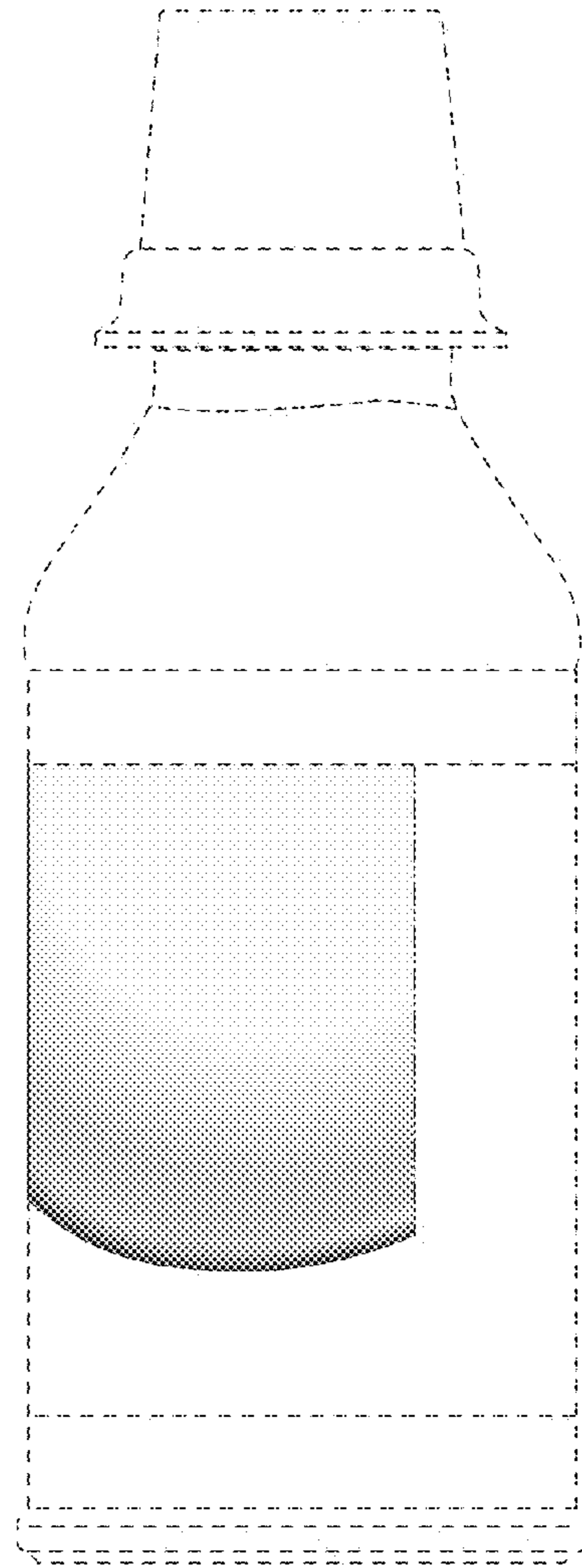


Fig. 9

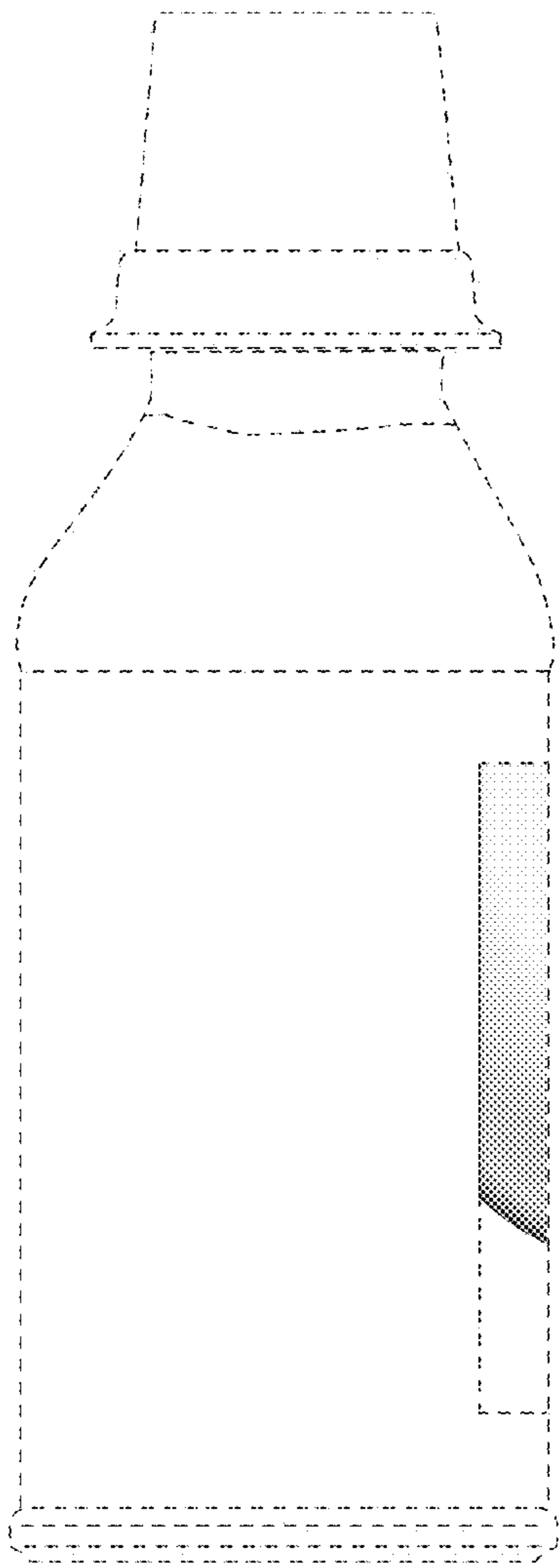


Fig. 10

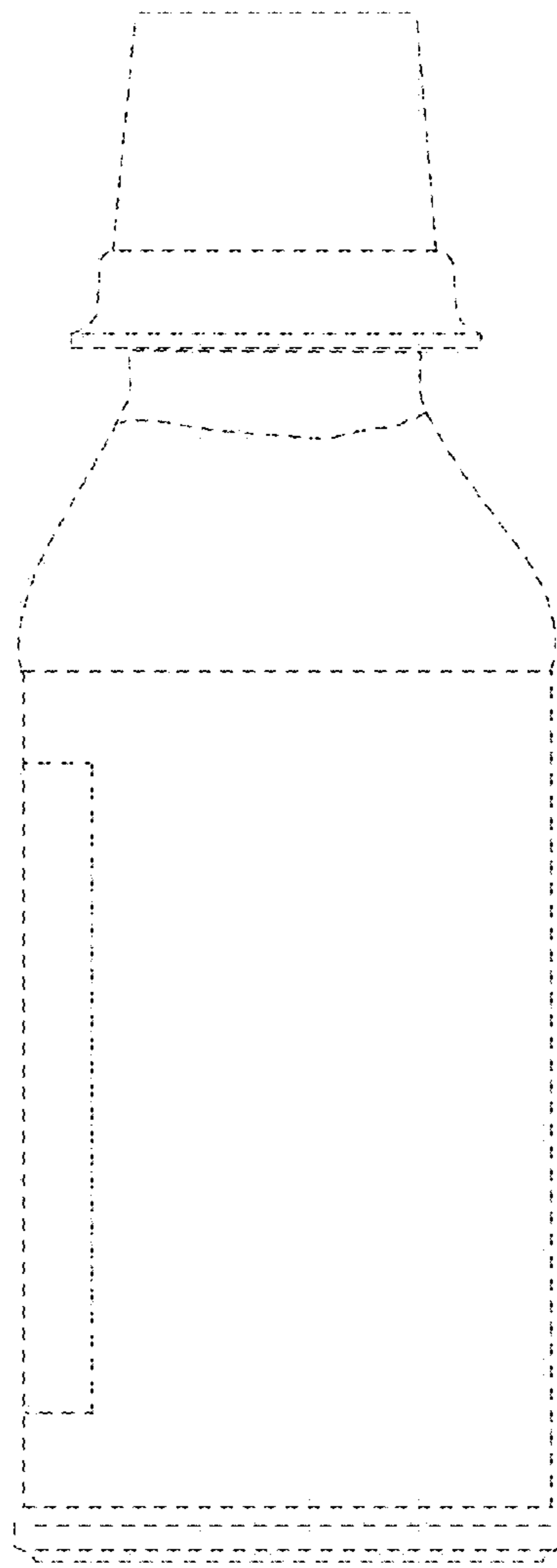


Fig. 11

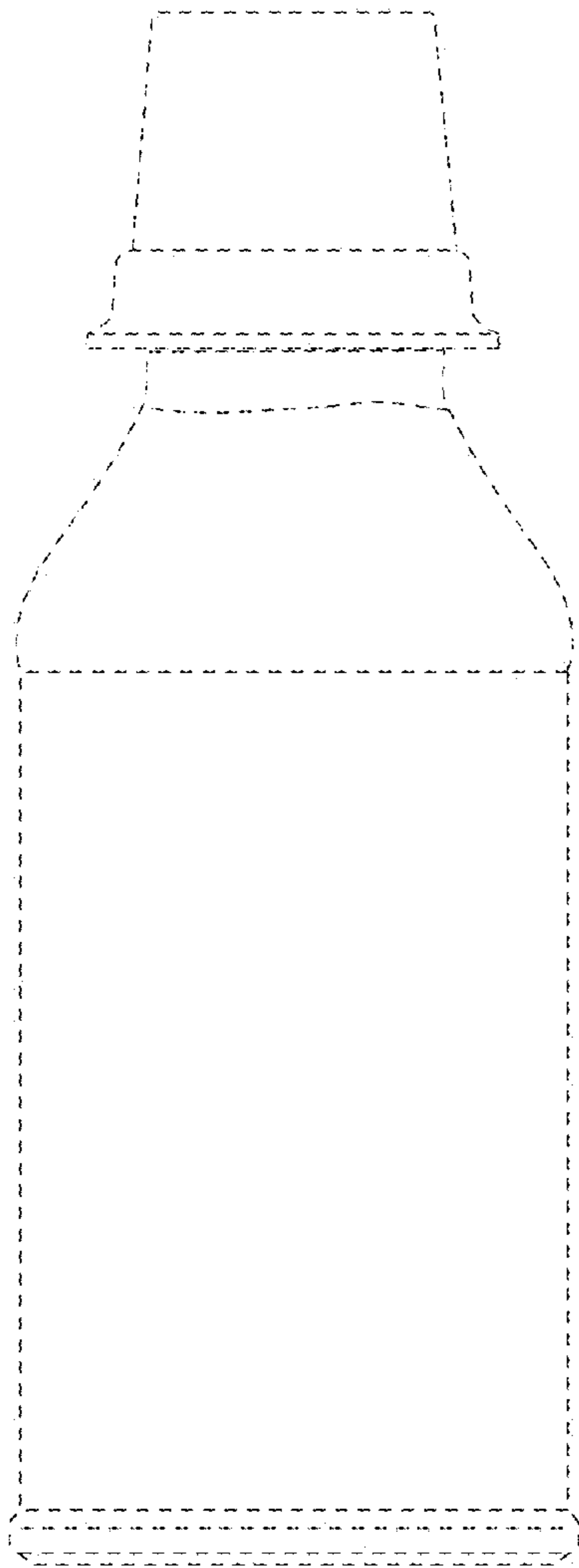


Fig. 12

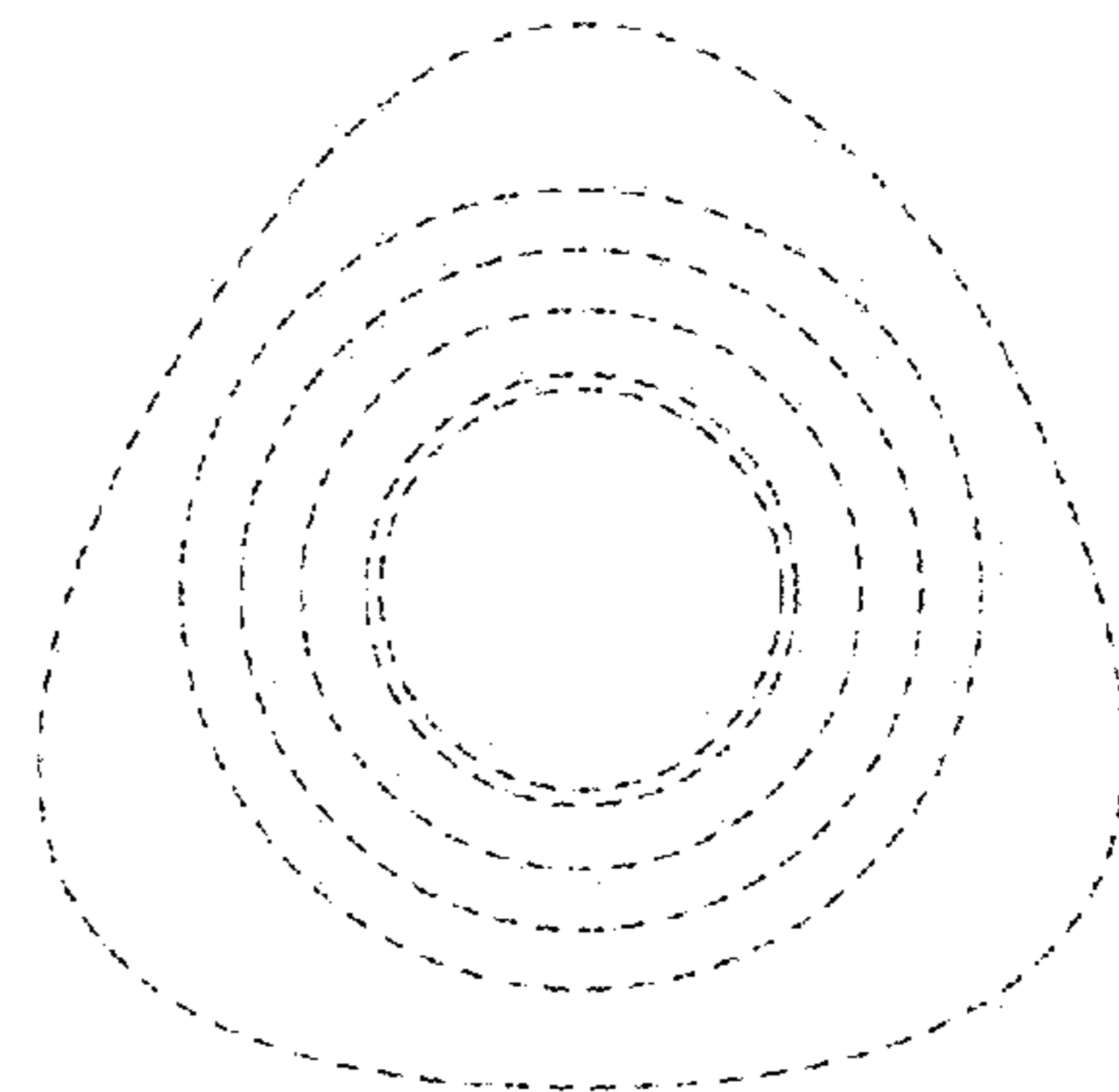


Fig. 13

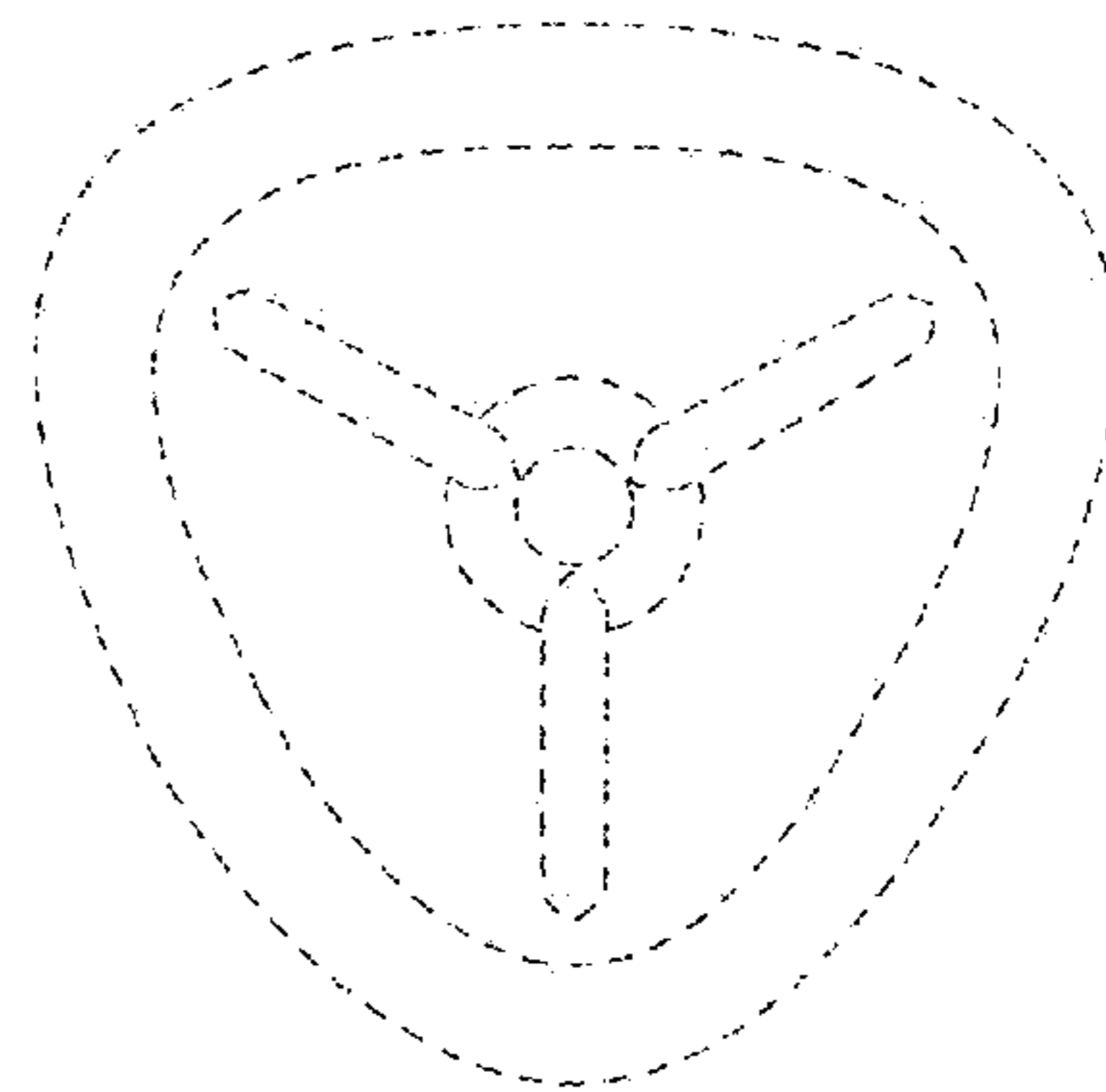


Fig. 14