



US00D747201S

(12) **United States Design Patent**  
**Pellerin**

(10) **Patent No.:** **US D747,201 S**  
(45) **Date of Patent:** **\*\* Jan. 12, 2016**

(54) **CLOSURE**

- (71) Applicant: **BERICAP**, Longvic (FR)
- (72) Inventor: **Philippe Pellerin**, Dijon (FR)
- (73) Assignee: **BERICAP**, Longvic (FR)
- (\*\*) Term: **14 Years**
- (21) Appl. No.: **29/485,327**
- (22) Filed: **Mar. 18, 2014**

(30) **Foreign Application Priority Data**

- Sep. 18, 2013 (EM) ..... 002311878
- (51) **LOC (10) Cl.** ..... **09-07**
- (52) **U.S. Cl.**  
USPC ..... **D9/449**
- (58) **Field of Classification Search**  
USPC ..... D6/542-545; D7/300, 321, 392.1,  
D7/396.2, 500, 507, 509, 510, 511, 900;  
D9/434-449, 452-455, 682, 685;  
215/200, 235, 236, 252, 259, 329,  
215/355-364; 220/200, 220, 254.1, 254.4,  
220/556, 703, 704, 705; D28/4, 76, 88, 89,  
D28/82, 91.1

See application file for complete search history.

(56) **References Cited**

**U.S. PATENT DOCUMENTS**

- 2,162,752 A 6/1939 Schauer
- 2,162,754 A 6/1939 Schauer
- 2,361,464 A 10/1944 Edwards et al.
- D156,280 S 11/1949 Rosenthal
- 2,961,119 A 11/1960 Leach
- 3,117,701 A 1/1964 Stull
- 3,463,341 A 8/1969 Fields

(Continued)

**FOREIGN PATENT DOCUMENTS**

- CA 1196606 A1 11/1985
- CA 2012047 A1 9/1990

(Continued)

*Primary Examiner* — Robert M Spear

*Assistant Examiner* — Marissa J Cash

(74) *Attorney, Agent, or Firm* — Harness, Dickey & Pierce, P.L.C.

(57) **CLAIM**

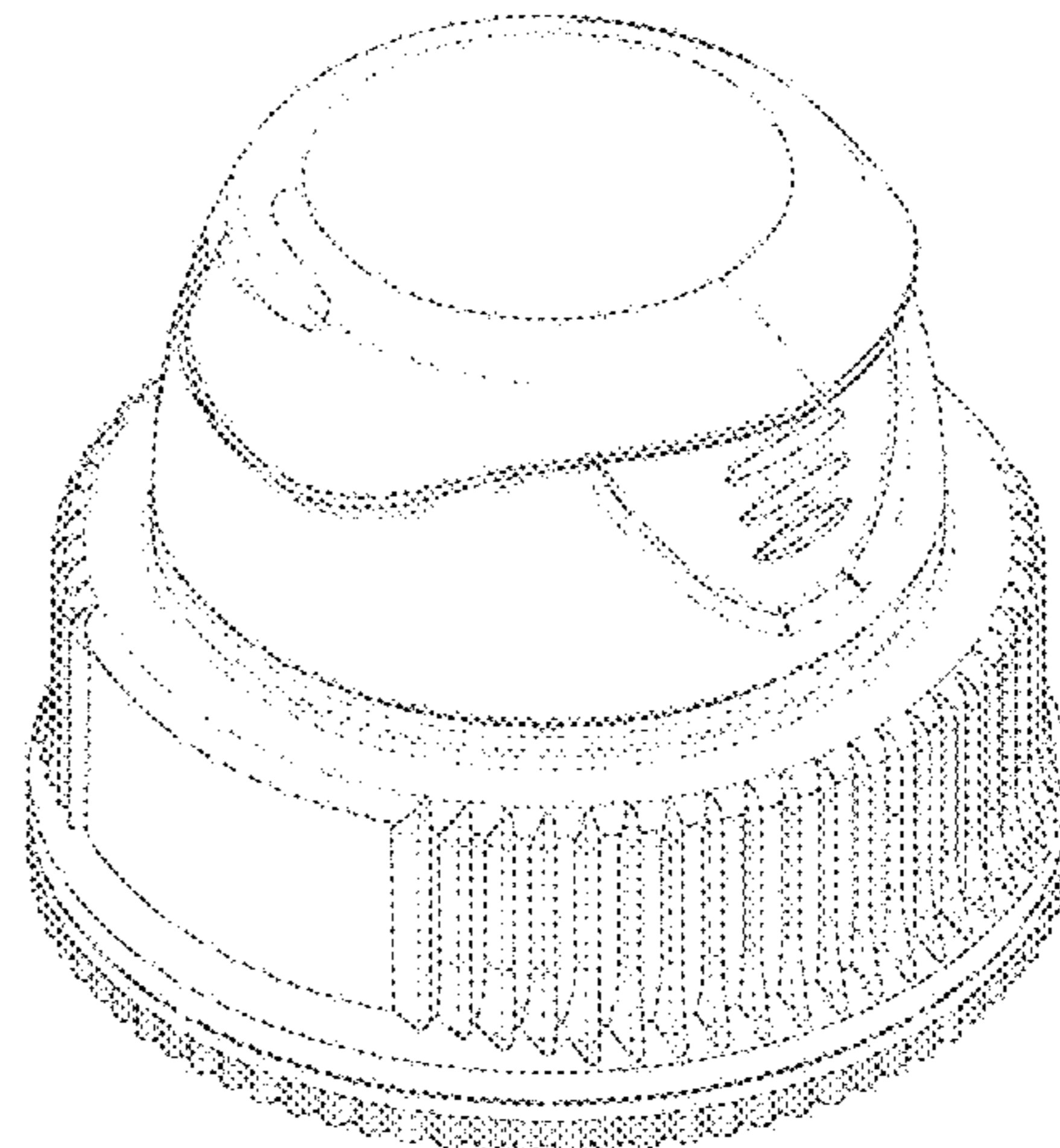
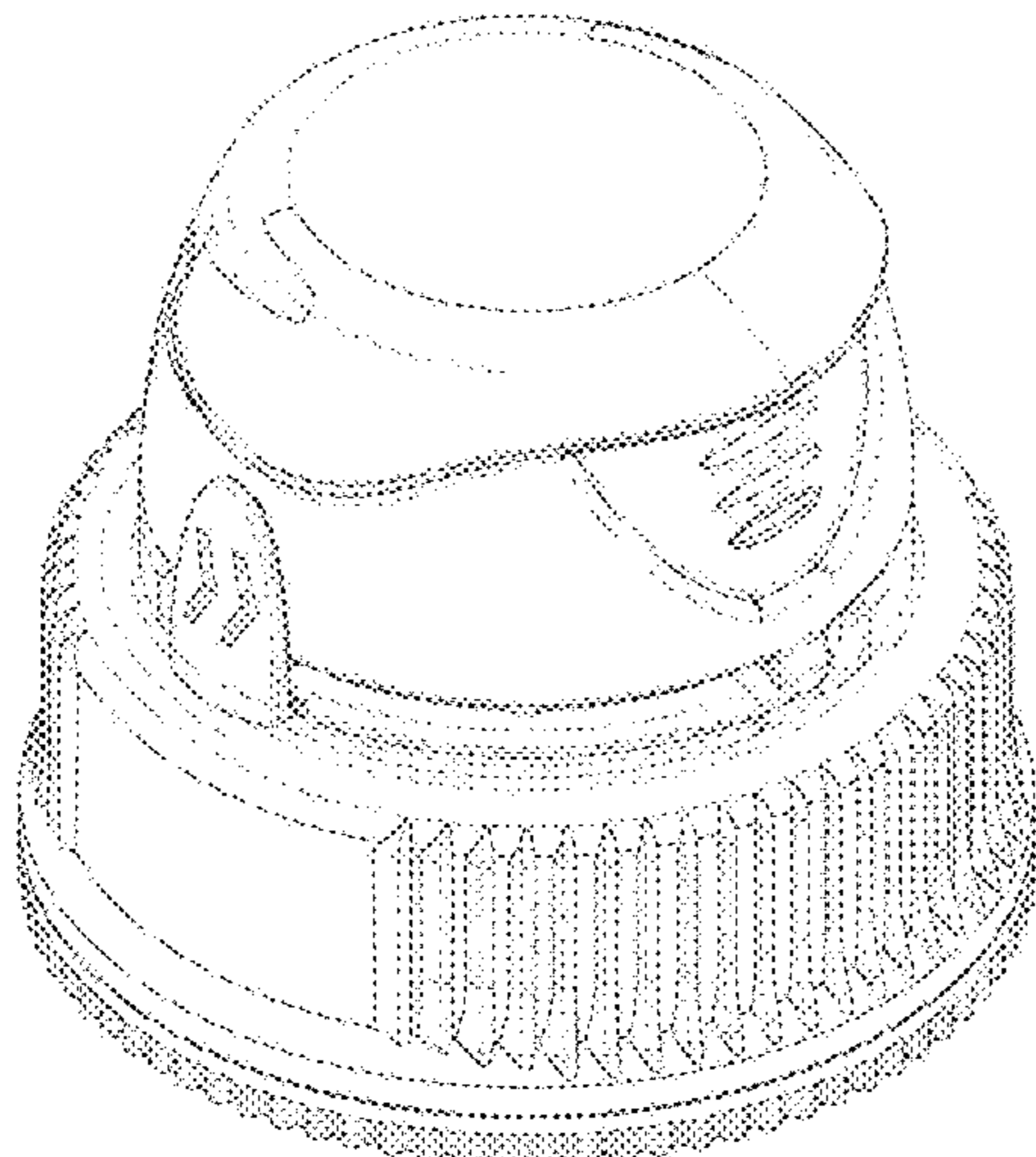
I claim the ornamental design for a closure, as shown and described.

**DESCRIPTION**

FIG. 1 is a front elevational view showing a first embodiment of a closure;  
 FIG. 2 is a left side elevational view showing the first embodiment;  
 FIG. 3 is a rear elevational view showing the first embodiment;  
 FIG. 4 is a right side elevational view showing the first embodiment;  
 FIG. 5 is a bottom elevational view showing the first embodiment;  
 FIG. 6 is a top elevational view showing the first embodiment;  
 FIG. 7 is a perspective view showing the first embodiment;  
 FIG. 8 is a front elevational view showing a second embodiment of a closure;  
 FIG. 9 is a left side elevational view showing the second embodiment;  
 FIG. 10 is a rear elevational view showing the second embodiment;  
 FIG. 11 is a right side elevational view showing the second embodiment;  
 FIG. 12 is a bottom elevational view showing the second embodiment;  
 FIG. 13 is a top elevational view showing the second embodiment; and,  
 FIG. 14 is a perspective view showing the second embodiment.

The features shown in discontinuous or broken lines are for illustrative purposes only and form no part of the claimed design.

**1 Claim, 14 Drawing Sheets**



(56)

References Cited

U.S. PATENT DOCUMENTS

D226,555 S	3/1973	Weber	5,662,247 A	9/1997	Rapchak et al.
3,823,841 A	7/1974	Lovejoy	D385,491 S	10/1997	Mueller et al.
3,892,326 A	7/1975	Schneible	5,685,444 A	11/1997	Valley
3,920,141 A	11/1975	Bojardi	5,725,115 A	3/1998	Bosl et al.
3,944,102 A	3/1976	Grau et al.	5,762,228 A	6/1998	Morgan et al.
4,007,857 A	2/1977	Tomiaty et al.	5,785,193 A	7/1998	Kobayashi et al.
4,299,328 A	11/1981	Ochs et al.	5,785,213 A	7/1998	Guillot
4,322,009 A	3/1982	Mumford	5,788,100 A	8/1998	Sturk
4,322,012 A	3/1982	Conti	D398,851 S	9/1998	Gaiser et al.
4,371,089 A	2/1983	Barendregt	5,799,840 A	9/1998	Mogard
4,418,828 A	12/1983	Wilde et al.	5,803,286 A	9/1998	Pfefferkorn et al.
4,442,947 A	4/1984	Banich, Sr.	5,810,184 A	9/1998	Adams et al.
4,457,438 A	7/1984	Varlet et al.	5,810,185 A	9/1998	Groesbeck
4,458,820 A	7/1984	Abrams	D399,744 S	10/1998	Gross
4,474,301 A	10/1984	Davis	5,823,377 A	10/1998	Krautkramer
4,487,324 A	12/1984	Ostrowsky	5,839,611 A	11/1998	Obadia et al.
4,489,845 A	12/1984	Aichinger et al.	5,846,471 A	12/1998	Thakor et al.
4,494,663 A	1/1985	Bertaud et al.	D405,012 S	2/1999	Krautkramer
D280,802 S	10/1985	Cho	5,871,111 A	2/1999	Pfefferkorn et al.
4,546,892 A	10/1985	Couput	5,913,434 A	6/1999	Fukuhara et al.
4,564,112 A	1/1986	Breuer	5,934,496 A	8/1999	Mogard et al.
4,565,294 A	1/1986	Smith	5,960,992 A	10/1999	Bernstein et al.
4,595,123 A	6/1986	Libit	5,964,363 A	10/1999	Kelly et al.
4,598,833 A	7/1986	Herr	5,967,376 A	10/1999	McLelland et al.
4,619,377 A	10/1986	Roos	5,975,369 A	11/1999	Yurkewicz et al.
4,635,823 A	1/1987	Stull	5,992,659 A	11/1999	Nofer et al.
4,709,823 A	12/1987	Beck et al.	D419,447 S	1/2000	Molloy
4,711,363 A	12/1987	Marino	6,021,912 A	2/2000	Hertrampf
4,733,787 A	3/1988	Knopf et al.	6,050,434 A	4/2000	McNab
4,746,025 A	5/1988	Krautkramer et al.	6,079,589 A	6/2000	Matsuyama et al.
4,747,501 A	5/1988	Greaves	6,095,382 A	8/2000	Gross
4,795,044 A	1/1989	Beck	6,116,443 A	9/2000	Parrinello
4,805,807 A	2/1989	Perne et al.	6,116,477 A	9/2000	Kreiseder et al.
4,830,224 A	5/1989	Brison	6,119,883 A	9/2000	Hock et al.
D302,120 S	7/1989	Niwa et al.	6,185,906 B1	2/2001	Mogard et al.
4,874,101 A	10/1989	Zalut	6,223,918 B1	5/2001	Browne
4,884,705 A	12/1989	Debetencourt	6,279,779 B1	8/2001	Laciamera et al.
4,909,404 A	3/1990	Rozenberg	6,325,226 B1	12/2001	Krautkramer
4,936,475 A	6/1990	Montgomery	6,382,462 B1	5/2002	Ostergaard-Nielsen et al.
4,981,230 A	1/1991	Marshall et al.	6,398,075 B1	6/2002	Laciamera et al.
4,984,699 A	1/1991	Zalut	6,401,982 B1	6/2002	Grittmann
5,005,718 A	4/1991	Buono	6,422,412 B1	7/2002	Sagawa
5,007,545 A	4/1991	Imbery, Jr.	D463,280 S	9/2002	Brozell
5,007,546 A	4/1991	Rose et al.	6,450,357 B1	9/2002	Krautkramer et al.
5,007,555 A	4/1991	Beck	6,450,367 B1	9/2002	Sittler
D319,981 S	9/1991	Sledge	6,478,184 B2	11/2002	Berge et al.
5,046,629 A	9/1991	Weile	D480,305 S	10/2003	Nusbaum et al.
5,052,568 A	10/1991	Simon	6,673,298 B2	1/2004	Krueger
5,058,755 A	10/1991	Hayes	D490,315 S	5/2004	Kiser
5,080,246 A	1/1992	Hayes	6,793,101 B2	9/2004	Shinozaki et al.
5,085,332 A	2/1992	Gettig et al.	6,817,276 B1	11/2004	Kowal
5,090,581 A	2/1992	Rose et al.	6,820,764 B2	11/2004	Miani et al.
5,090,788 A	2/1992	Ingram et al.	D512,634 S	12/2005	Illenberger et al.
5,104,008 A	4/1992	Crisci	7,036,683 B2	5/2006	Dubach
5,115,932 A	5/1992	Schneider	7,077,278 B2	7/2006	Dubach
5,147,054 A	9/1992	Pehr	7,077,294 B2	7/2006	Nusbaum et al.
5,176,278 A	1/1993	Quarberg	D530,611 S	10/2006	Nusbaum et al.
5,219,507 A	6/1993	Ingram et al.	D556,575 S	12/2007	Nusbaum et al.
5,289,932 A	3/1994	Dimeo et al.	7,344,039 B2	3/2008	Bixler et al.
5,297,688 A	3/1994	Beck et al.	7,611,025 B2	11/2009	Nusbaum et al.
5,297,696 A	3/1994	Bernstein et al.	D623,517 S	9/2010	Pechinot
5,325,983 A	7/1994	Imai et al.	D625,605 S *	10/2010	Bardet ..... D9/449
5,335,802 A	8/1994	Brach et al.	RE42,484 E *	6/2011	Kitamura et al. .... D7/510
5,356,019 A	10/1994	Kelly	8,231,018 B2	7/2012	Gassner
5,395,015 A	3/1995	Bolen, Jr. et al.	D672,651 S *	12/2012	Gregory et al. .... D9/449
5,400,912 A	3/1995	Brown et al.	D672,653 S *	12/2012	Antier et al. .... D9/449
5,417,350 A	5/1995	Koo	D673,041 S *	12/2012	Antier et al. .... D9/449
5,482,176 A	1/1996	Maietta et al.	D673,042 S *	12/2012	Antier et al. .... D9/449
D367,424 S	2/1996	Thanisch	D673,043 S *	12/2012	Antier et al. .... D9/449
D374,821 S	10/1996	Johnson	D702,551 S *	4/2014	Wisniewski et al. .... D9/449
5,566,864 A	10/1996	Stolz	D704,067 S *	5/2014	Scott et al. .... D9/542
5,605,240 A	2/1997	Guglielmini	2002/0079618 A1	6/2002	Krueger
5,641,099 A	6/1997	McLelland et al.	2002/0179605 A1	12/2002	Miani et al.
5,648,037 A	7/1997	Franchet et al.	2003/0098285 A1	5/2003	Gregory et al.
5,660,290 A	8/1997	Hayes	2005/0189312 A1	9/2005	Bixler et al.
			2007/0090080 A1	4/2007	Lohrman et al.
			2007/0251911 A1	11/2007	Russell
			2007/0284392 A1 *	12/2007	Kaess et al. .... 222/153.05
			2009/0057261 A1	3/2009	Ma et al.

(56)

**References Cited**

U.S. PATENT DOCUMENTS

2010/0252556 A1 10/2010 Krautkramer  
 2010/0264144 A1 10/2010 Nusbaum et al.  
 2011/0000928 A1\* 1/2011 Antier et al. .... 220/801  
 2013/0270306 A1 10/2013 Krautkramer

FOREIGN PATENT DOCUMENTS

CA 2257573 A1 12/1997  
 DE 3139526 A1 4/1983  
 DE 3811362 A1 6/1989  
 DE 19708909 A1 9/1998  
 DE 19712364 A1 10/1998  
 DE 19734874 A1 2/1999  
 DE 202004015939 12/2004  
 DE 102007005595 A1 8/2007  
 EP 0149496 A2 7/1985  
 EP 0460557 A2 12/1991  
 EP 0529383 A2 3/1993  
 ES 1002990 U 7/1988  
 FR 1303608 A 9/1962

FR 2309425 A1 11/1976  
 FR 2407140 A1 5/1979  
 FR 2558444 A1 7/1985  
 FR 2744101 A1 8/1997  
 FR 2765194 A1 12/1998  
 GB 1140840 A 1/1969  
 GB 1522692 A 8/1978  
 GB 1530158 A 10/1978  
 GB 1569781 A 6/1980  
 GB 2159123 A 11/1985  
 GB 2200619 A 8/1988  
 JP 200172102 3/2001  
 WO WO-8303809 A1 11/1983  
 WO WO-9217379 A1 10/1992  
 WO WO-9602430 A1 2/1996  
 WO WO-9942375 A1 8/1999  
 WO WO-9962776 A1 12/1999  
 WO WO-0027722 A1 5/2000  
 WO WO-0076875 A1 12/2000  
 WO WO-0142103 A1 6/2001  
 WO WO-0154999 A1 8/2001  
 WO WO-2005067588 A2 7/2005

\* cited by examiner

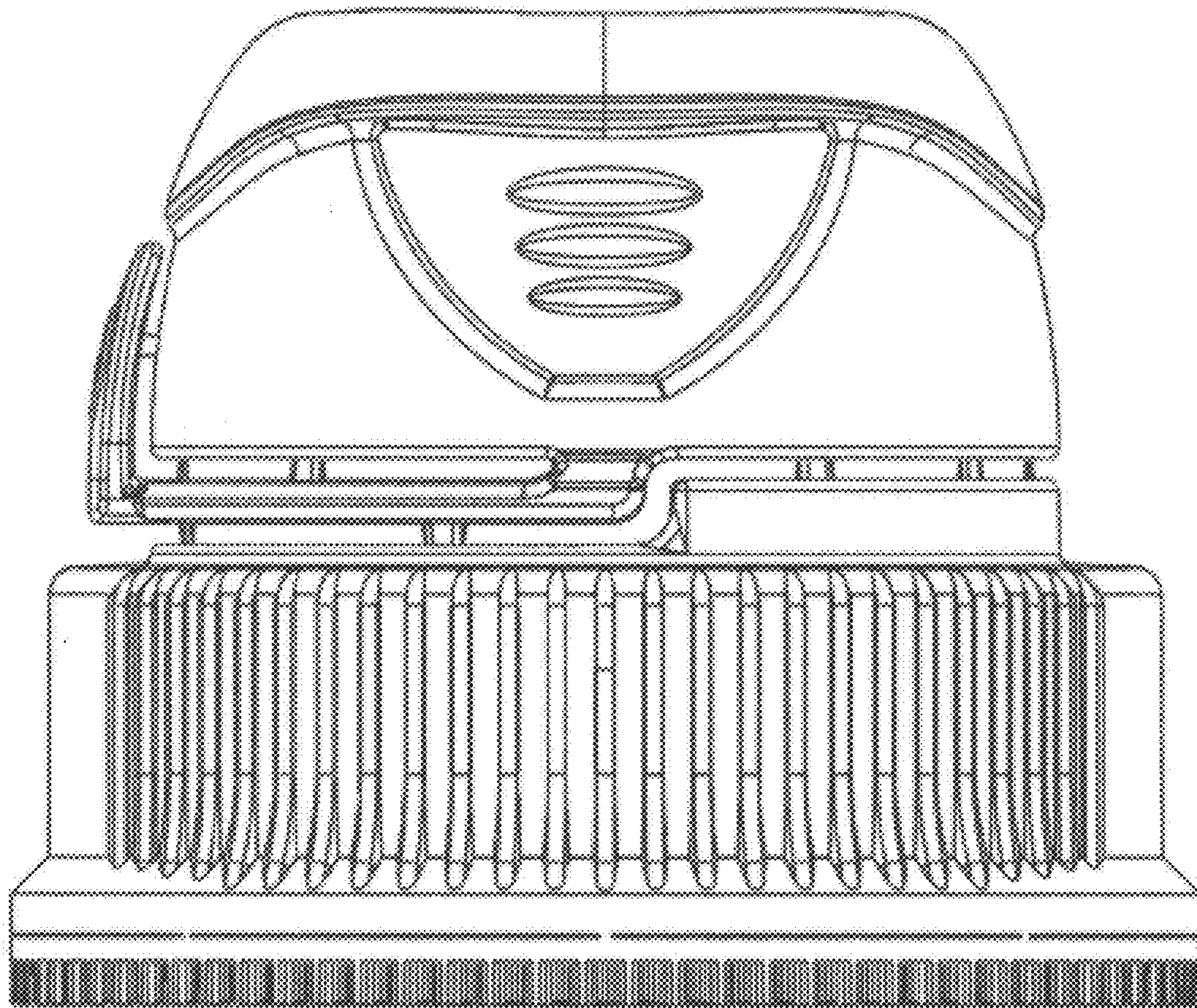


FIG. 1

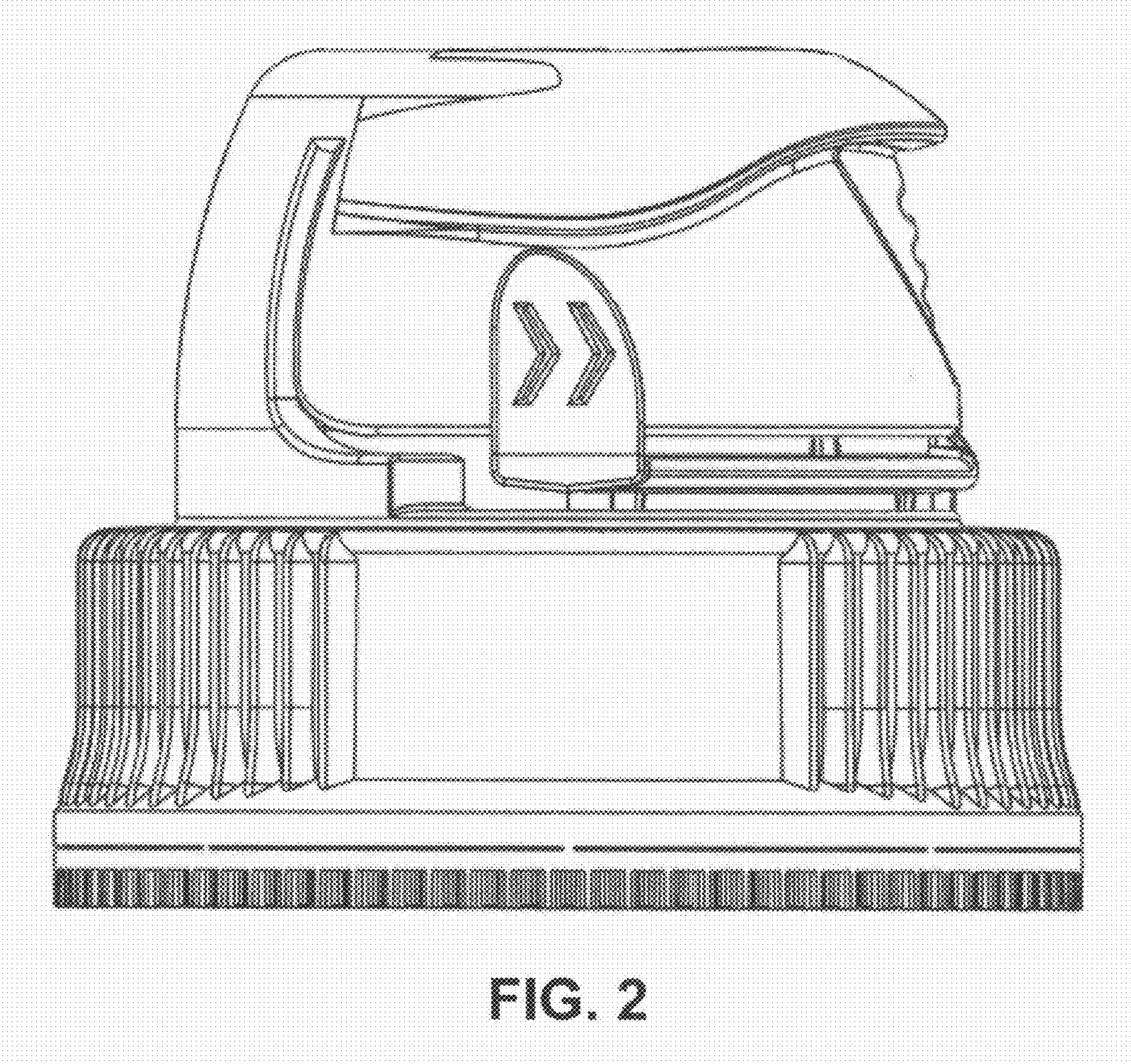


FIG. 2

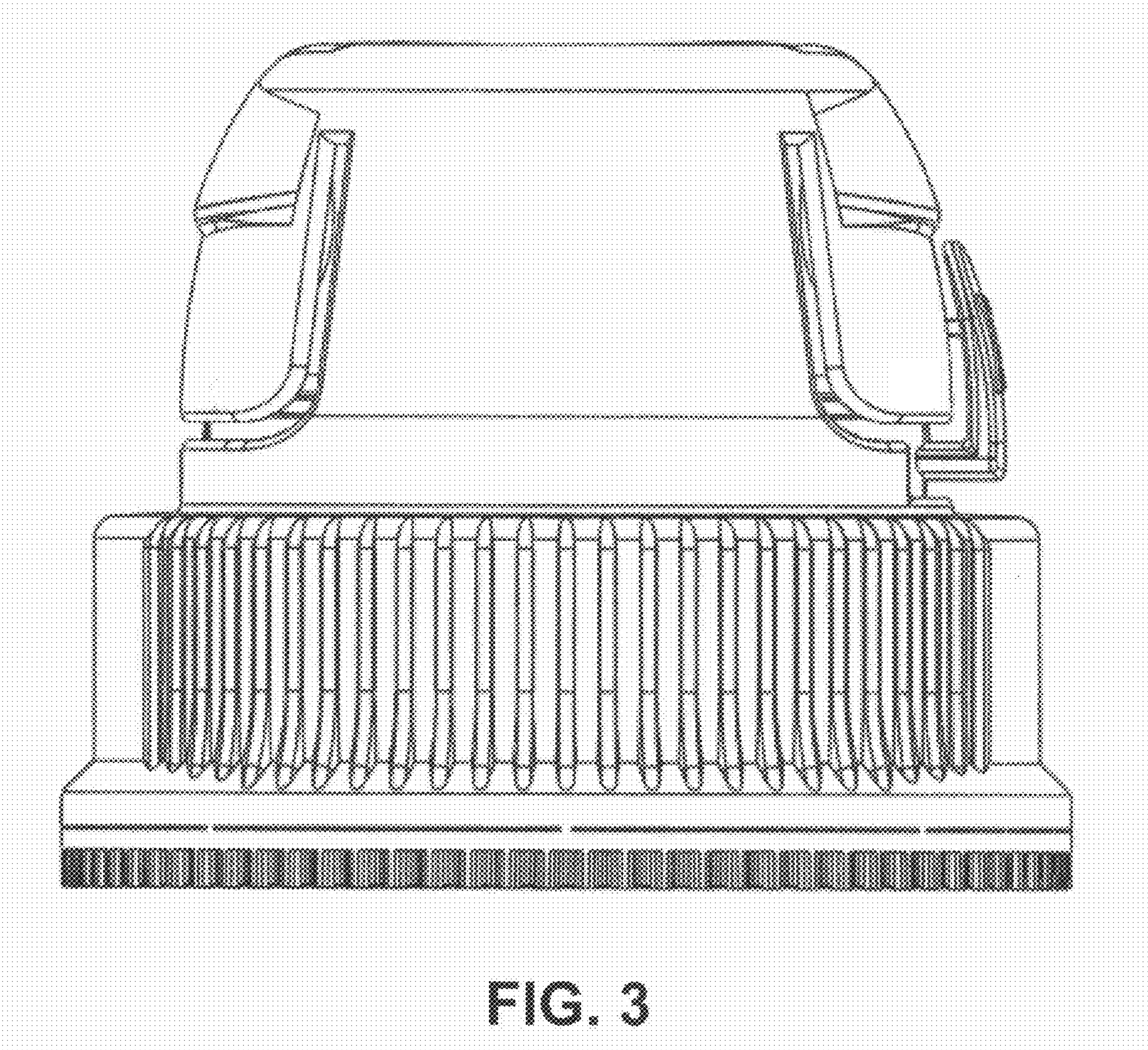


FIG. 3

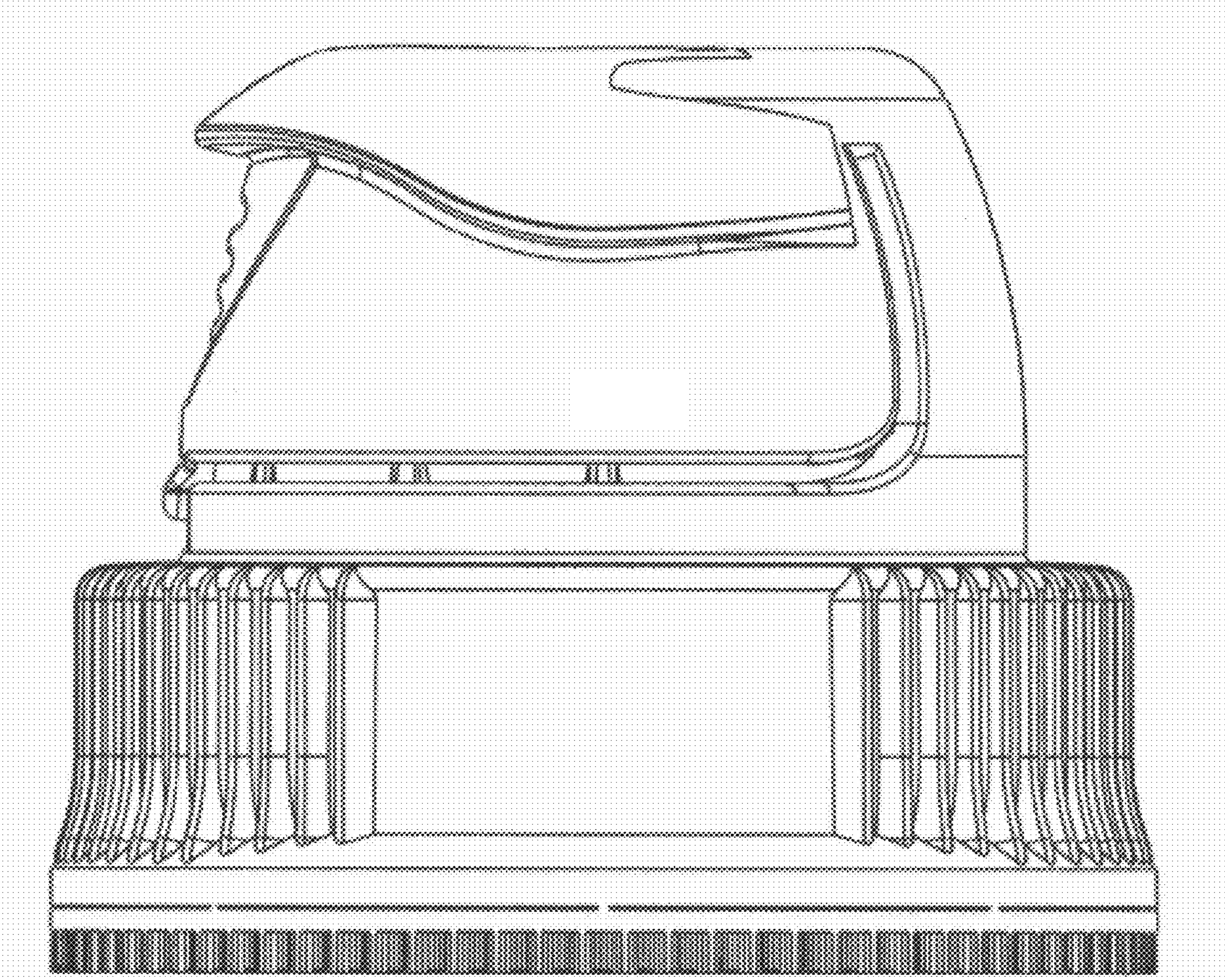


FIG. 4

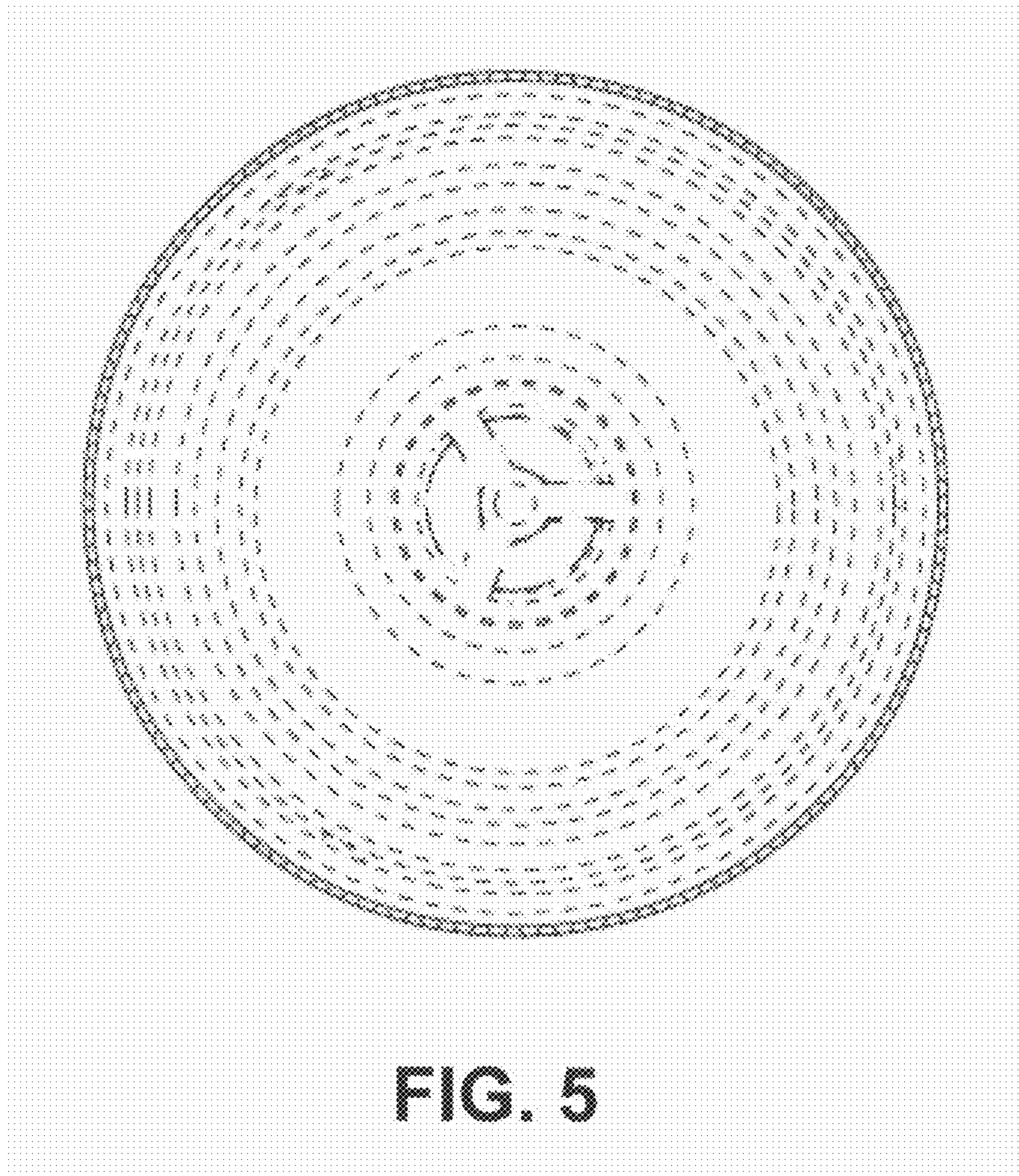






FIG. 6

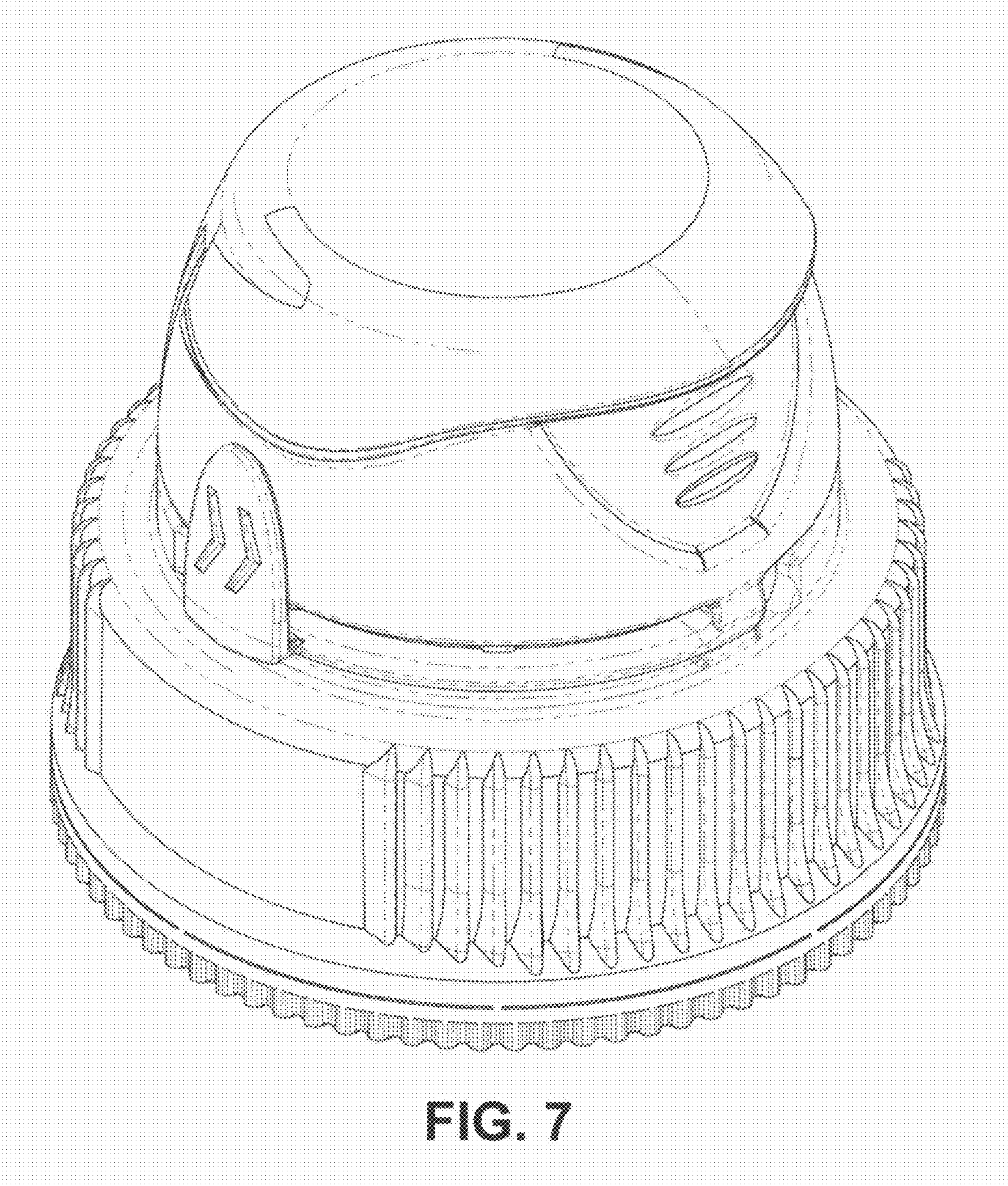


FIG. 7

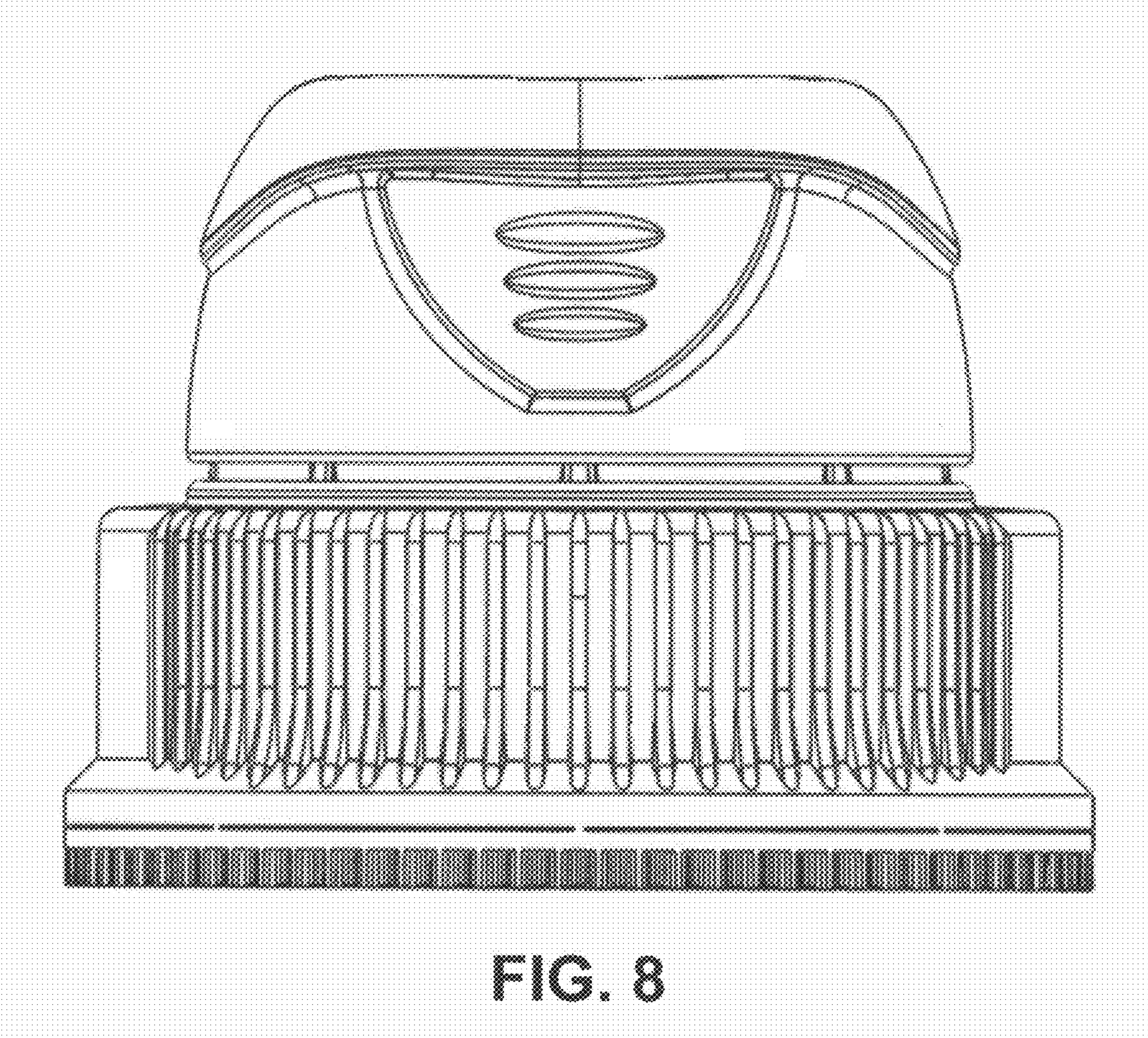


FIG. 8

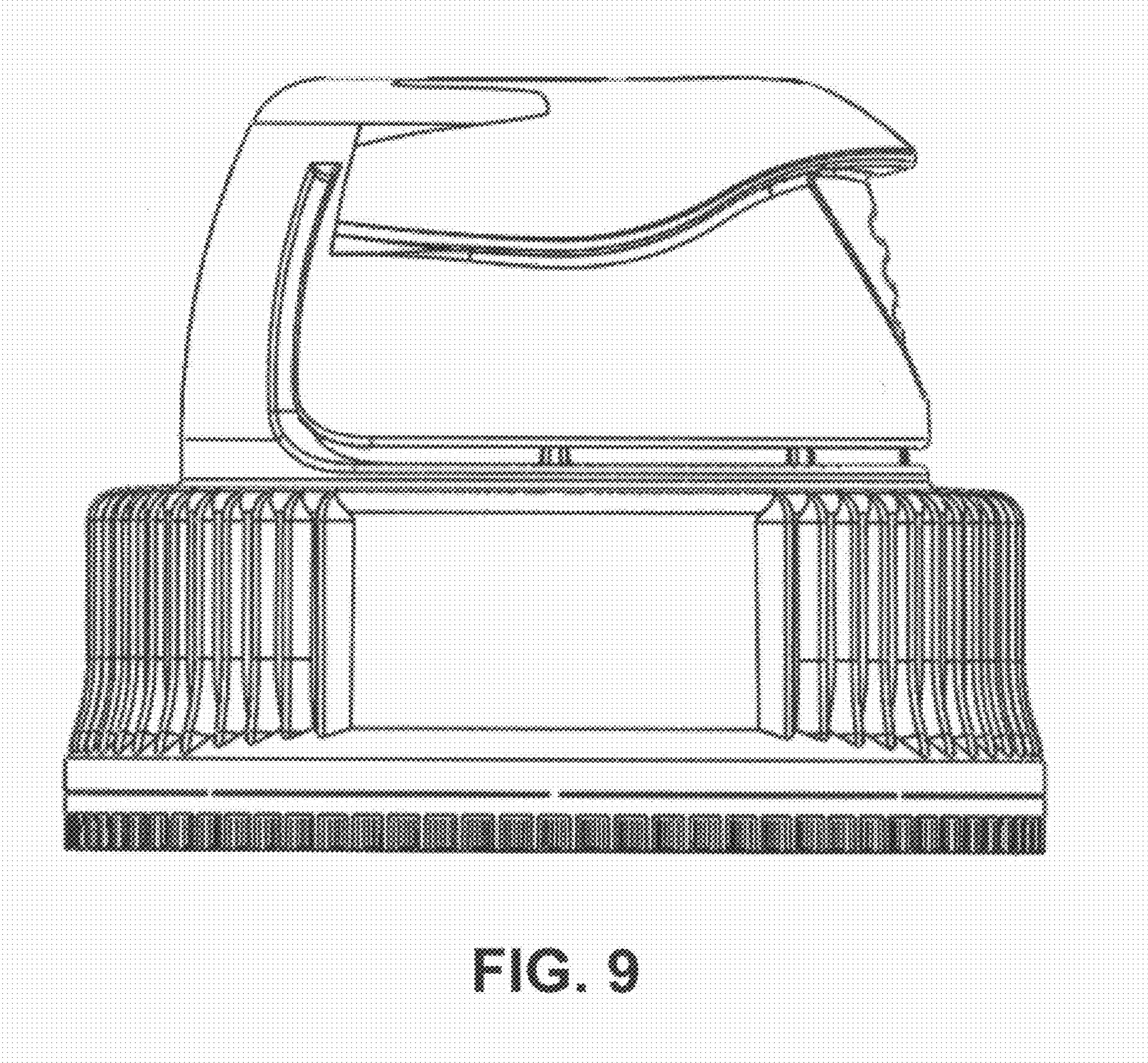


FIG. 9

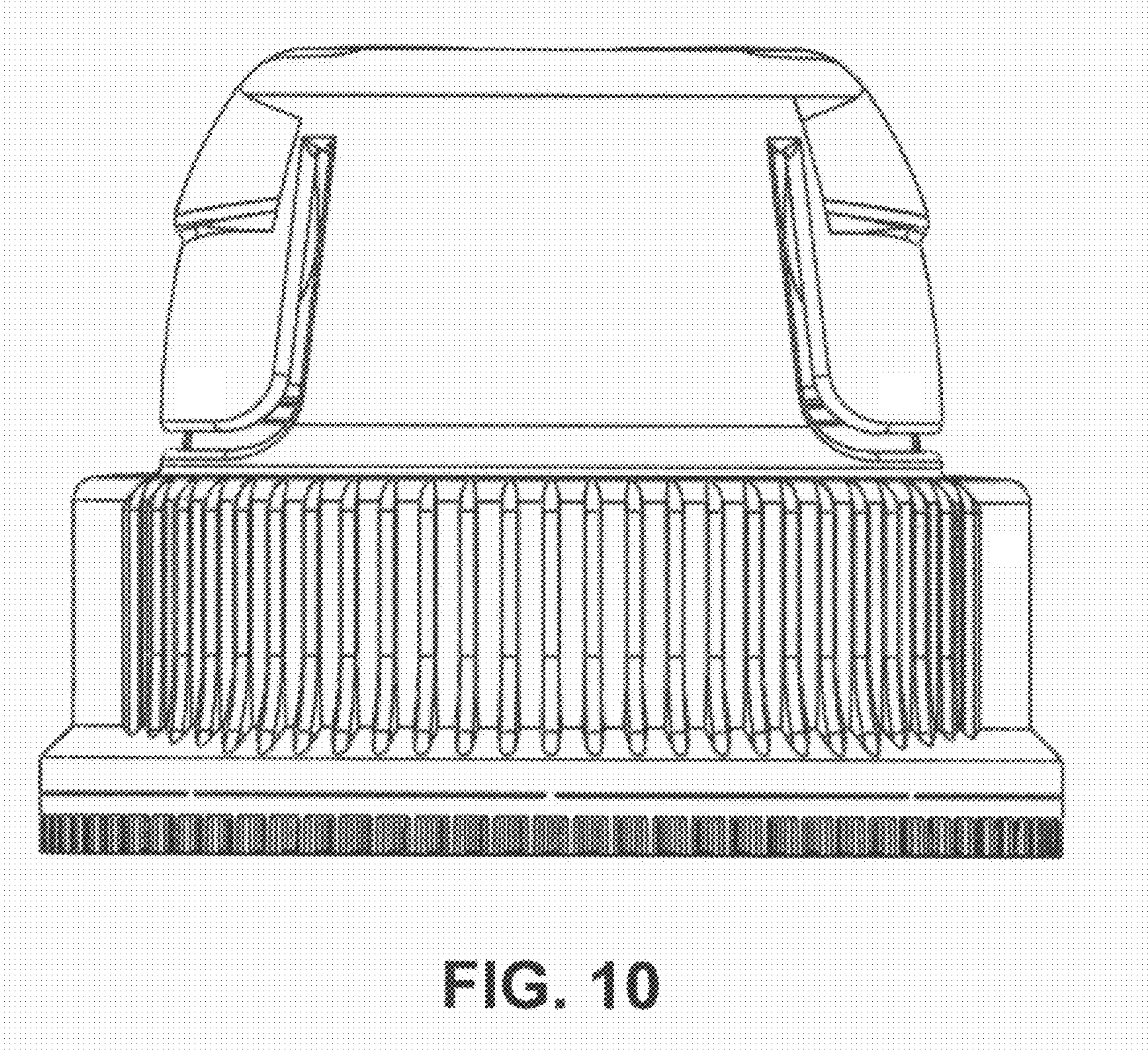


FIG. 10

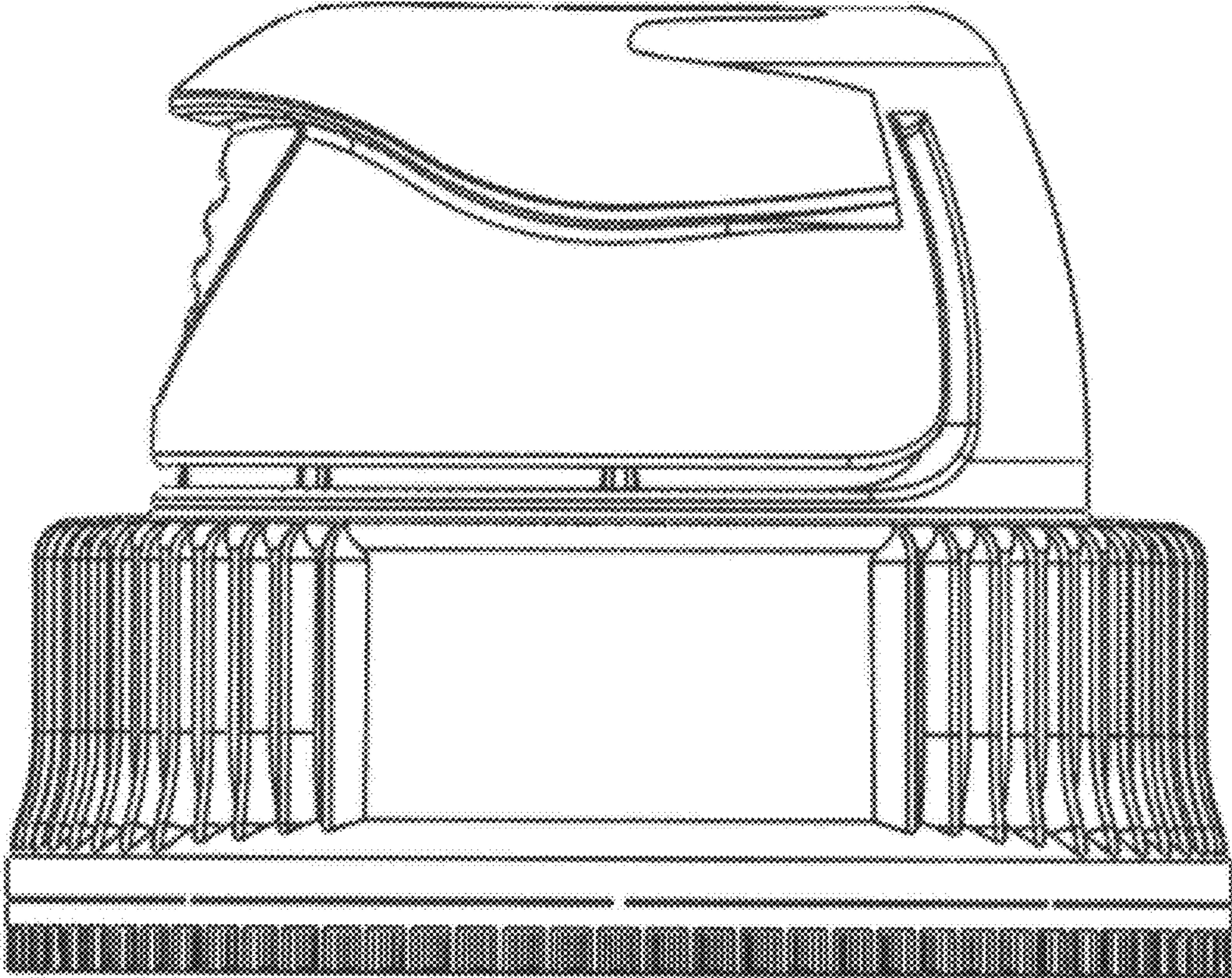
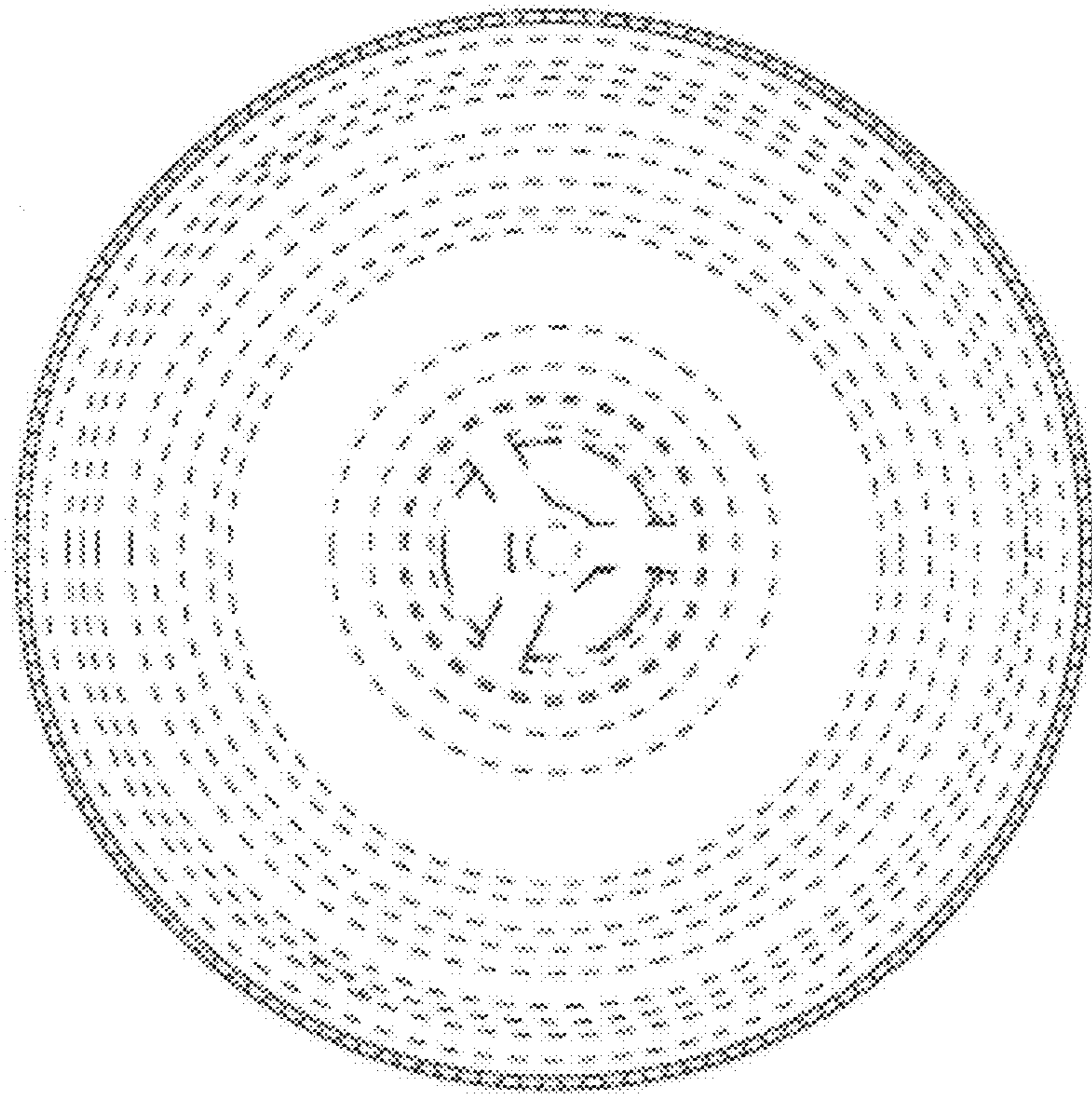


FIG. 11



**FIG. 12**

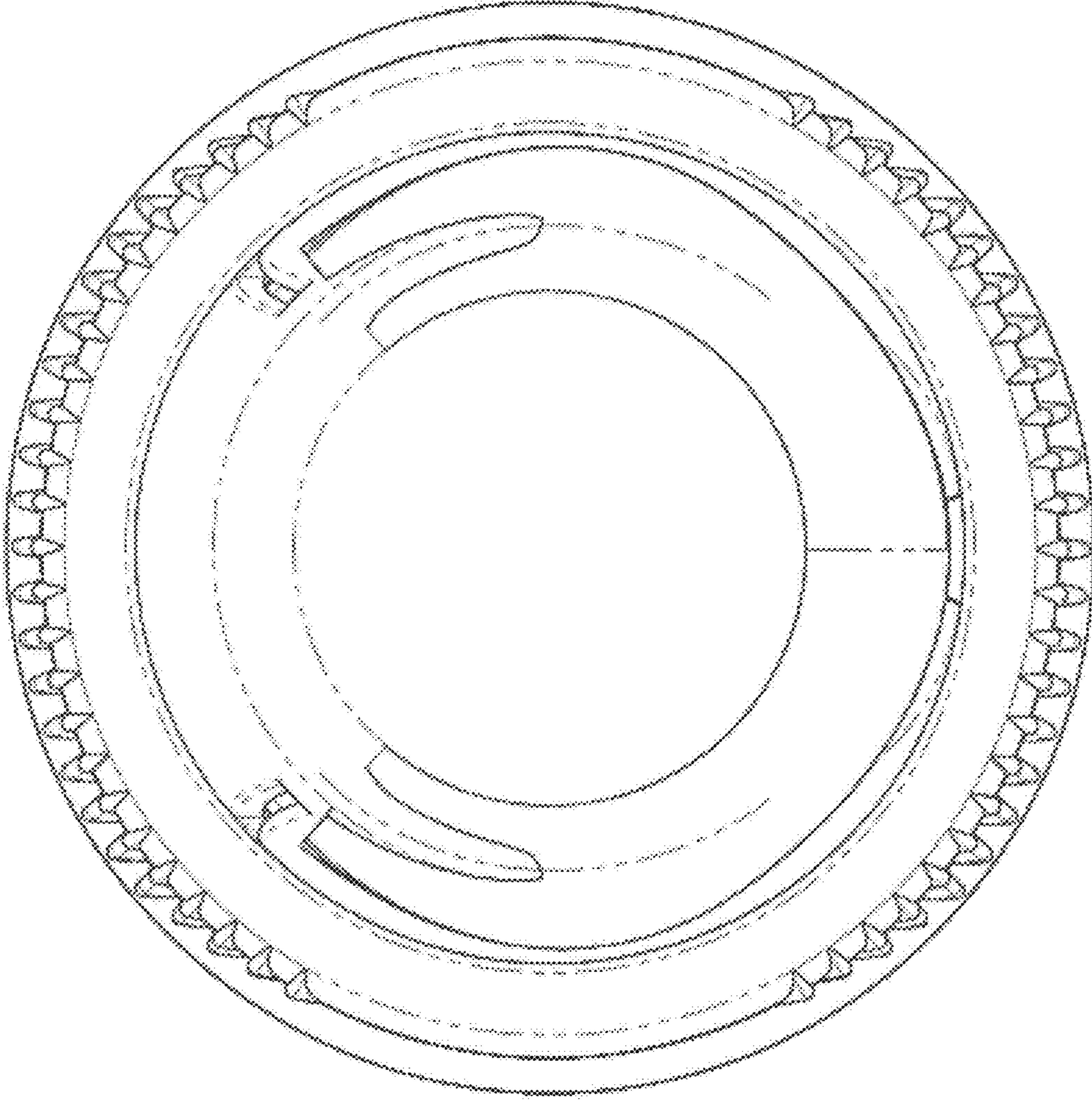


FIG. 13



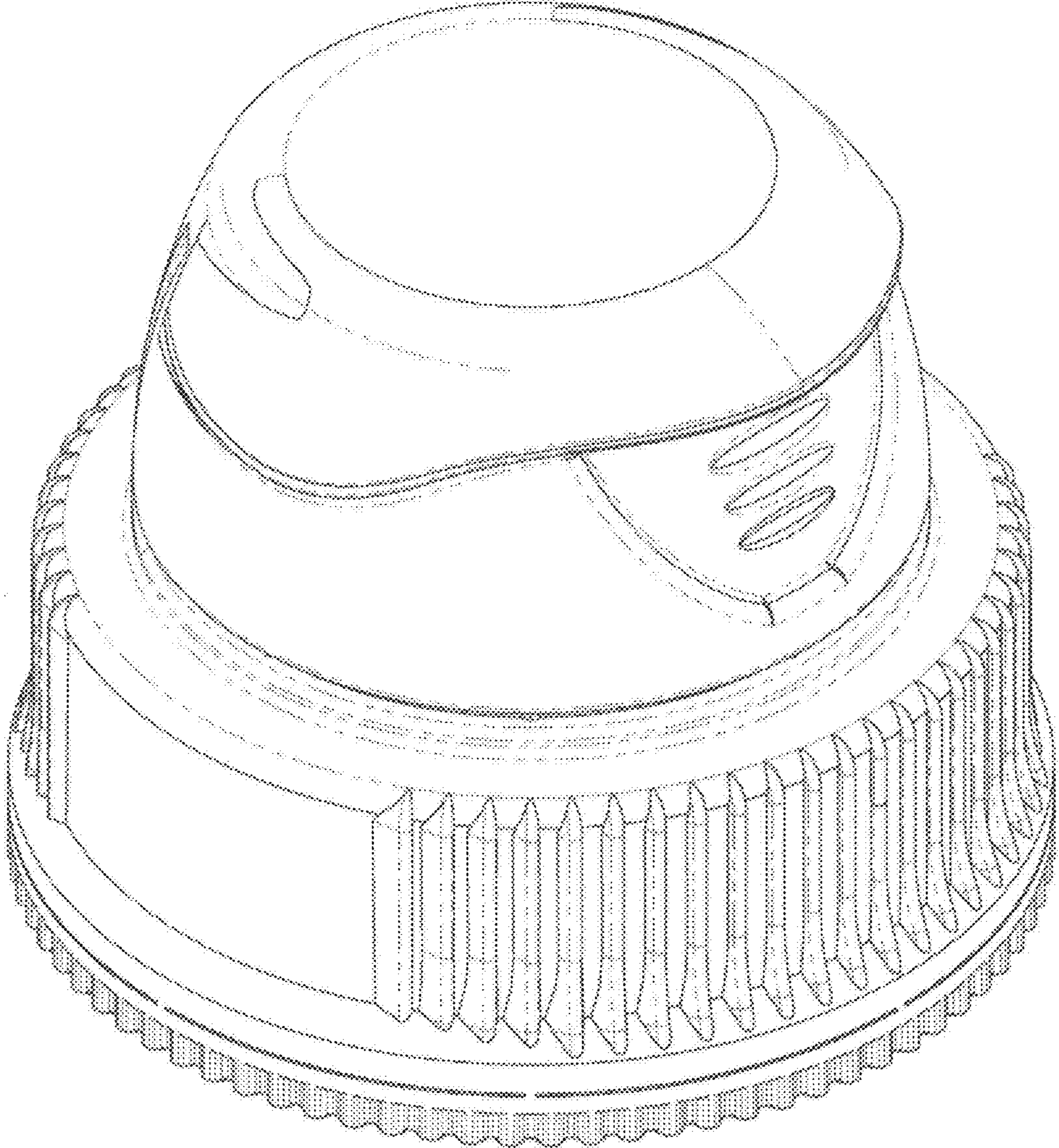


FIG. 14