



US00D747200S

(12) **United States Design Patent**  
**Chiorazzi et al.**

(10) **Patent No.:** **US D747,200 S**  
(45) **Date of Patent:** **\*\* Jan. 12, 2016**

- (54) **DRIPLESS POURER**
- (71) Applicant: **Franmara, Inc.**, Salinas, CA (US)
- (72) Inventors: **Frank P. Chiorazzi**, Salinas, CA (US);  
**Frank O. Chiorazzi**, Salinas, CA (US)
- (73) Assignee: **Franmara, Inc.**, Salinas, CA (US)
- (\*\*) Term: **14 Years**
- (21) Appl. No.: **29/478,934**
- (22) Filed: **Jan. 9, 2014**
- (51) **LOC (10) Cl.** ..... **09-07**
- (52) **U.S. Cl.**  
USPC ..... **D9/440**
- (58) **Field of Classification Search**  
USPC ..... D9/434, 435, 440, 441, 446, 447, 450,  
D9/499; D7/391, 392, 392.1, 397, 398,  
D7/515; 222/189.7, 190, 477, 478, 481.5,  
222/484, 567, 569; 220/711, 714, 717;  
215/1, 21, 23, 25, 216, 245, 256, 316  
CPC ..... B65D 47/265  
See application file for complete search history.

4,925,068 A *	5/1990	Schneider	.....	222/484
D437,782 S	2/2001	Haley		
D487,227 S *	3/2004	Haley	.....	D9/439
D643,721 S *	8/2011	Blinn	.....	D9/440
8,123,086 B2 *	2/2012	Haley	.....	222/484
D678,767 S	3/2013	Haley		
8,657,157 B2 *	2/2014	Blinn	.....	222/1
D730,730 S *	6/2015	Haley et al.	.....	D9/440

\* cited by examiner

*Primary Examiner* — Robert M Spear  
(74) *Attorney, Agent, or Firm* — LaRiviere, Grubman, PC

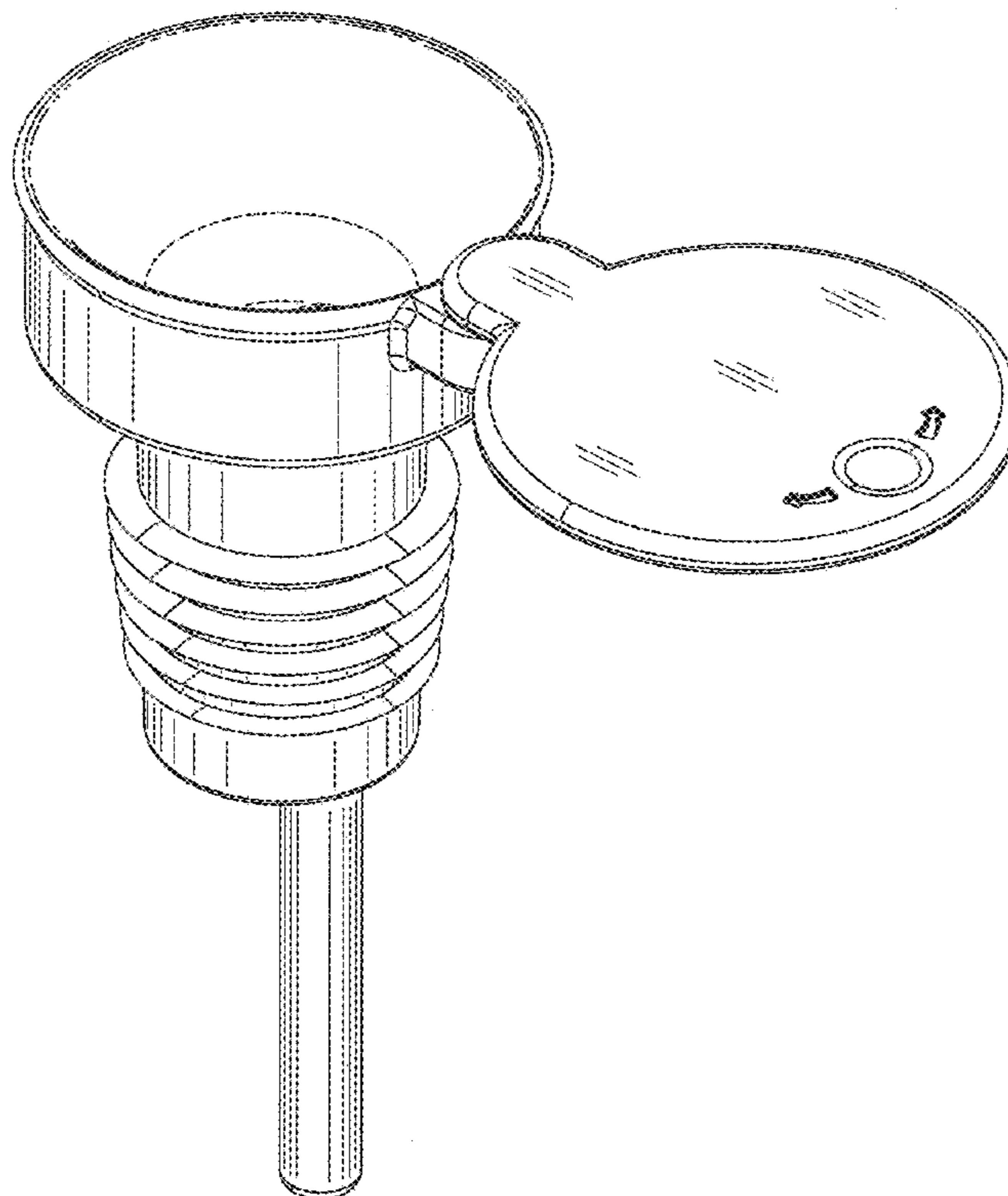
(57) **CLAIM**  
The ornamental design for a dripless pourer, as shown and described.

**DESCRIPTION**

FIG. 1 is an enlarged perspective view of a dripless pourer, in open condition, showing our design;  
 FIG. 2 is a side view thereof;  
 FIG. 3 is an opposing side view thereof;  
 FIG. 4 is a front view thereof;  
 FIG. 5 is a rear view thereof;  
 FIG. 6 is a top view thereof;  
 FIG. 7 is a bottom view thereof; and,  
 FIG. 8 is a perspective view thereof, in closed condition.  
 The broken lines showing the environment are for illustrative purposes only and form no part of the claimed design.  
 The evenly spaced broken lines in the drawings represent unclaimed environmental subject matter and form no part of the claim; the dash/dot/dot/dash broken lines represent boundaries of the claim and form no part thereof.

**1 Claim, 5 Drawing Sheets**

- (56) **References Cited**  
U.S. PATENT DOCUMENTS  
1,477,452 A \* 12/1923 Saunders ..... 222/557  
1,618,926 A \* 2/1927 Harrison ..... 222/557  
2,011,999 A \* 8/1935 Entriken ..... 222/545



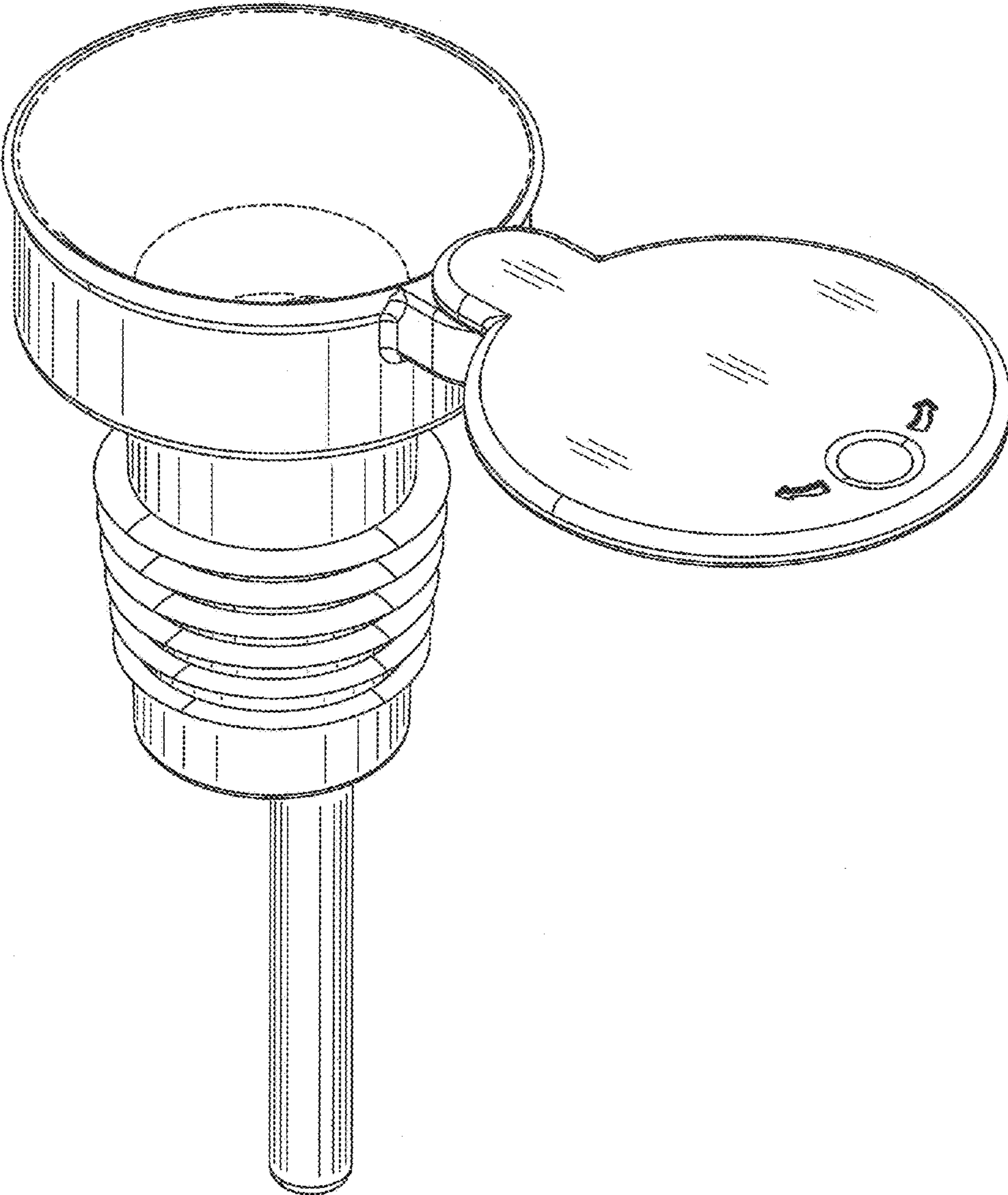


FIG. 1

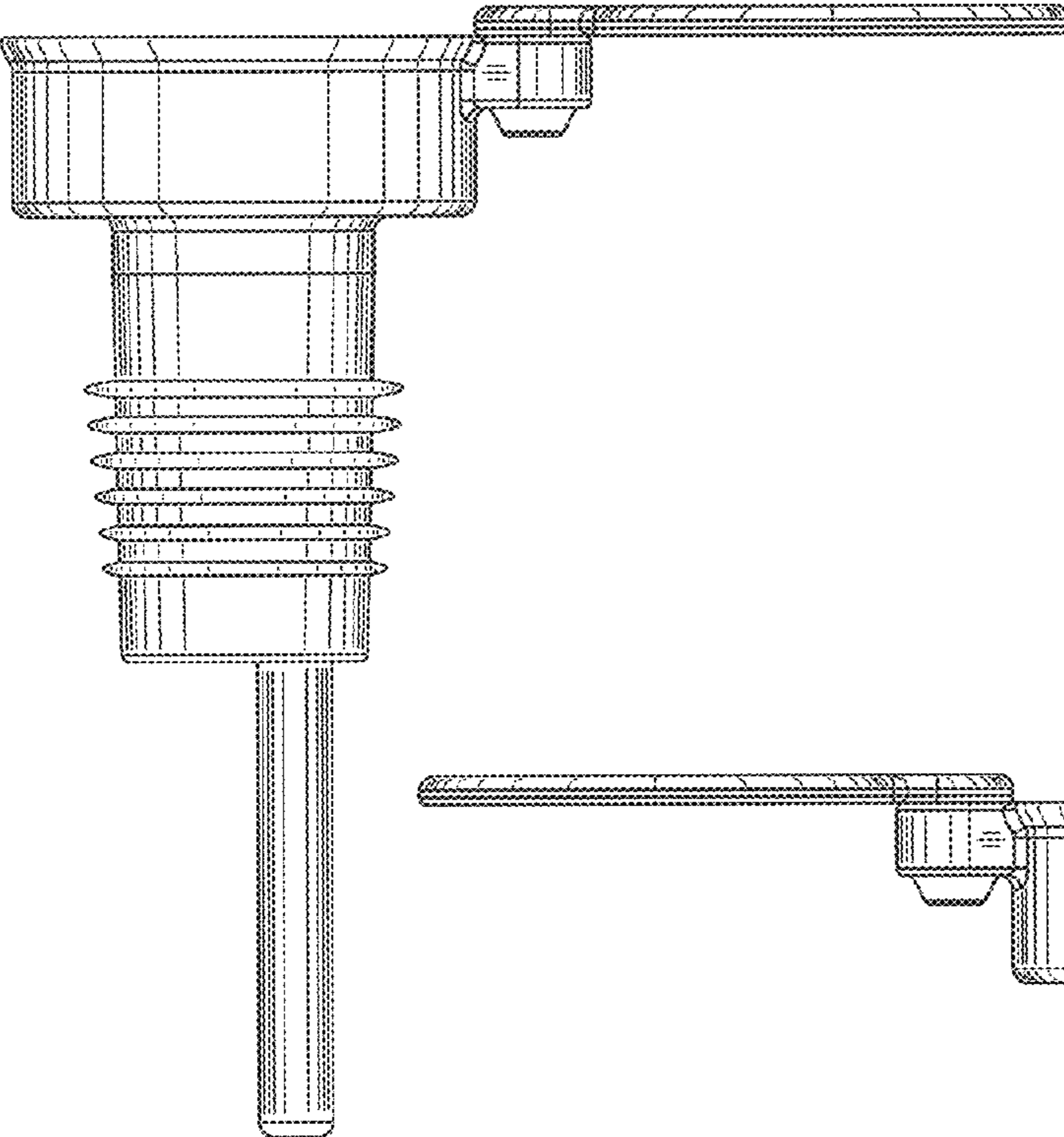


FIG. 2

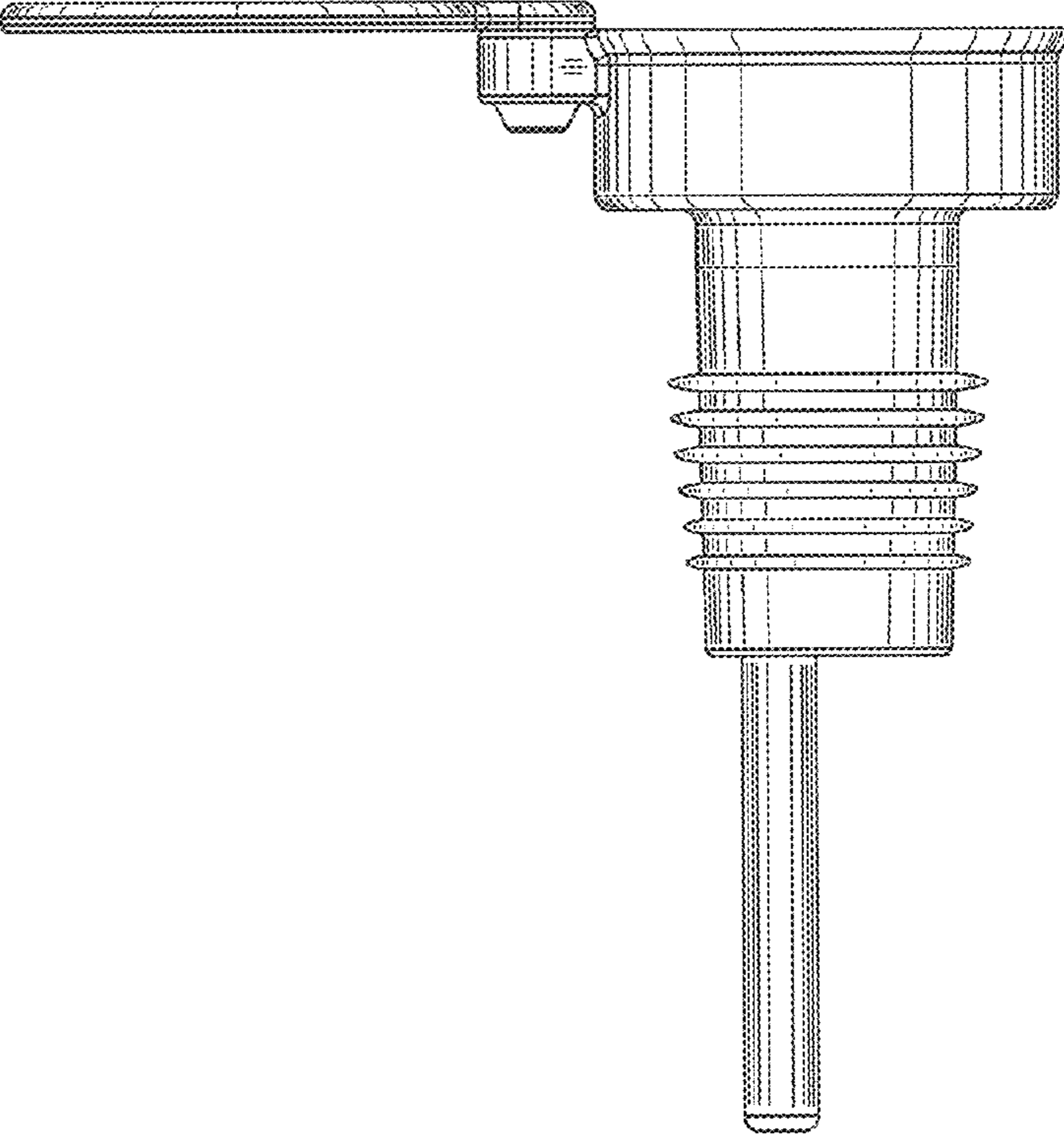


FIG. 3

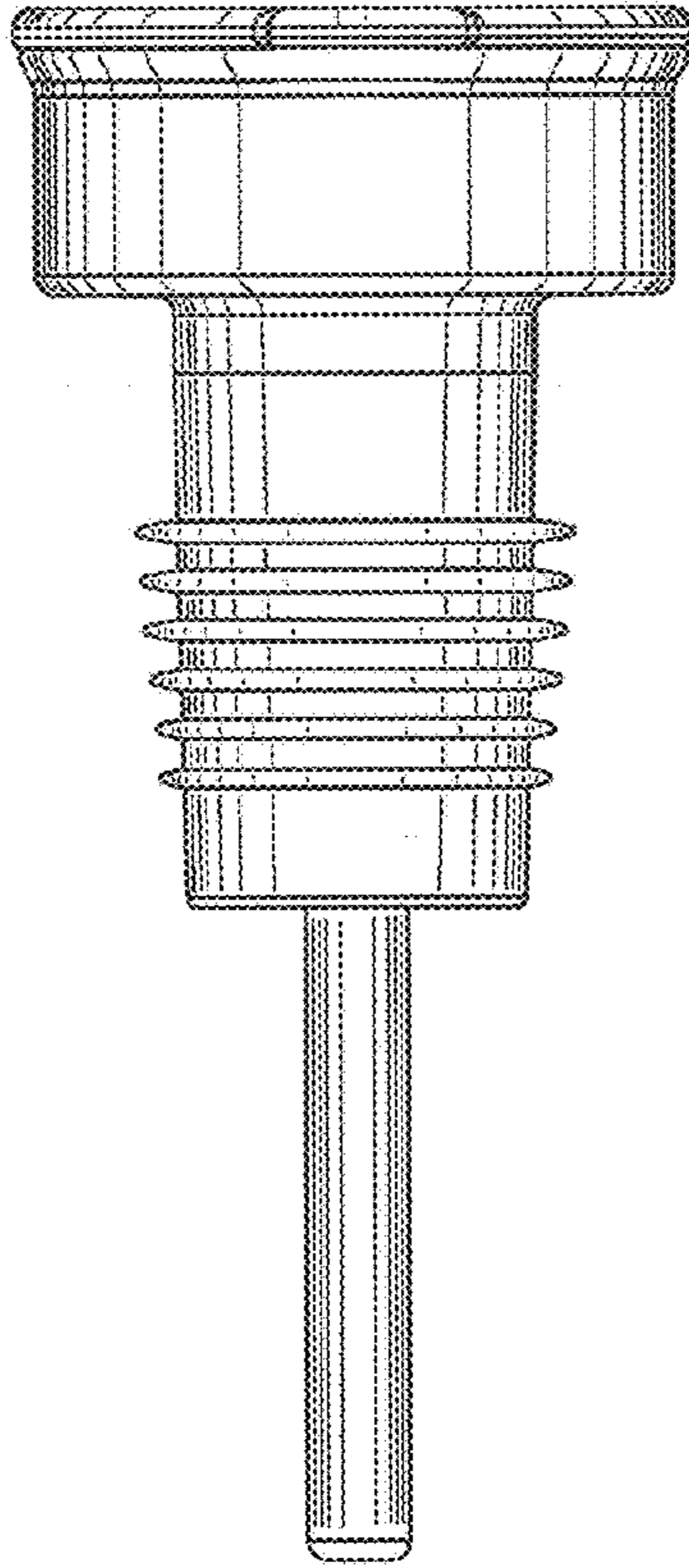


FIG. 4

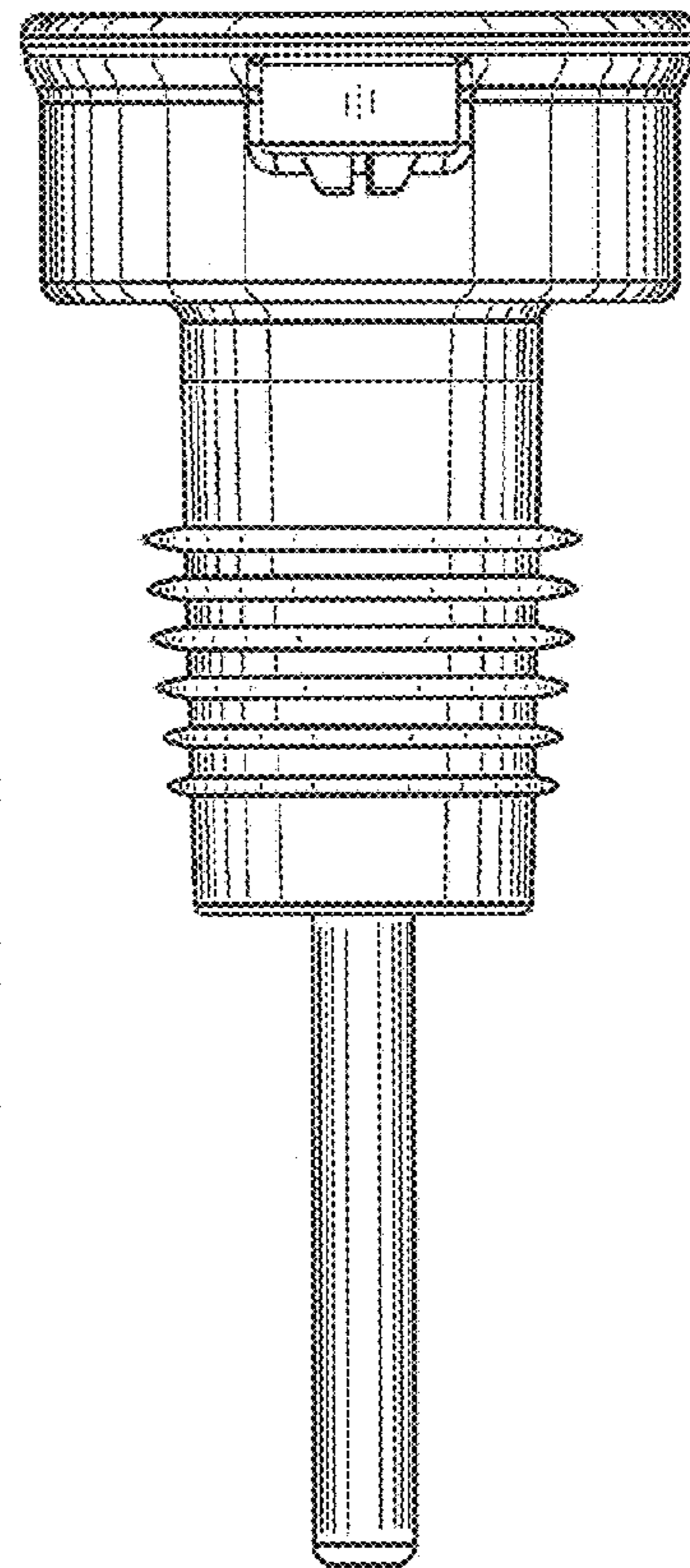


FIG. 5

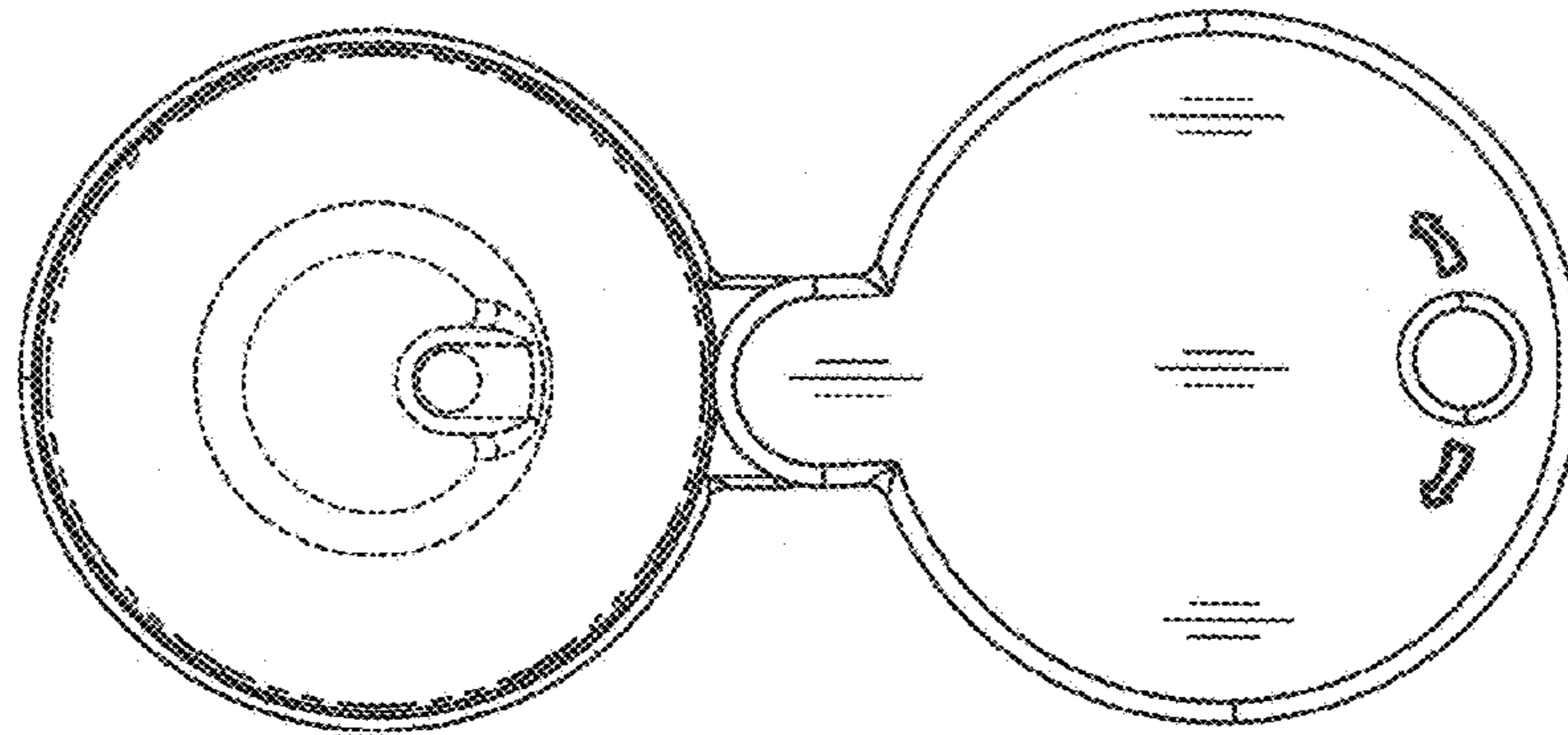


FIG. 6

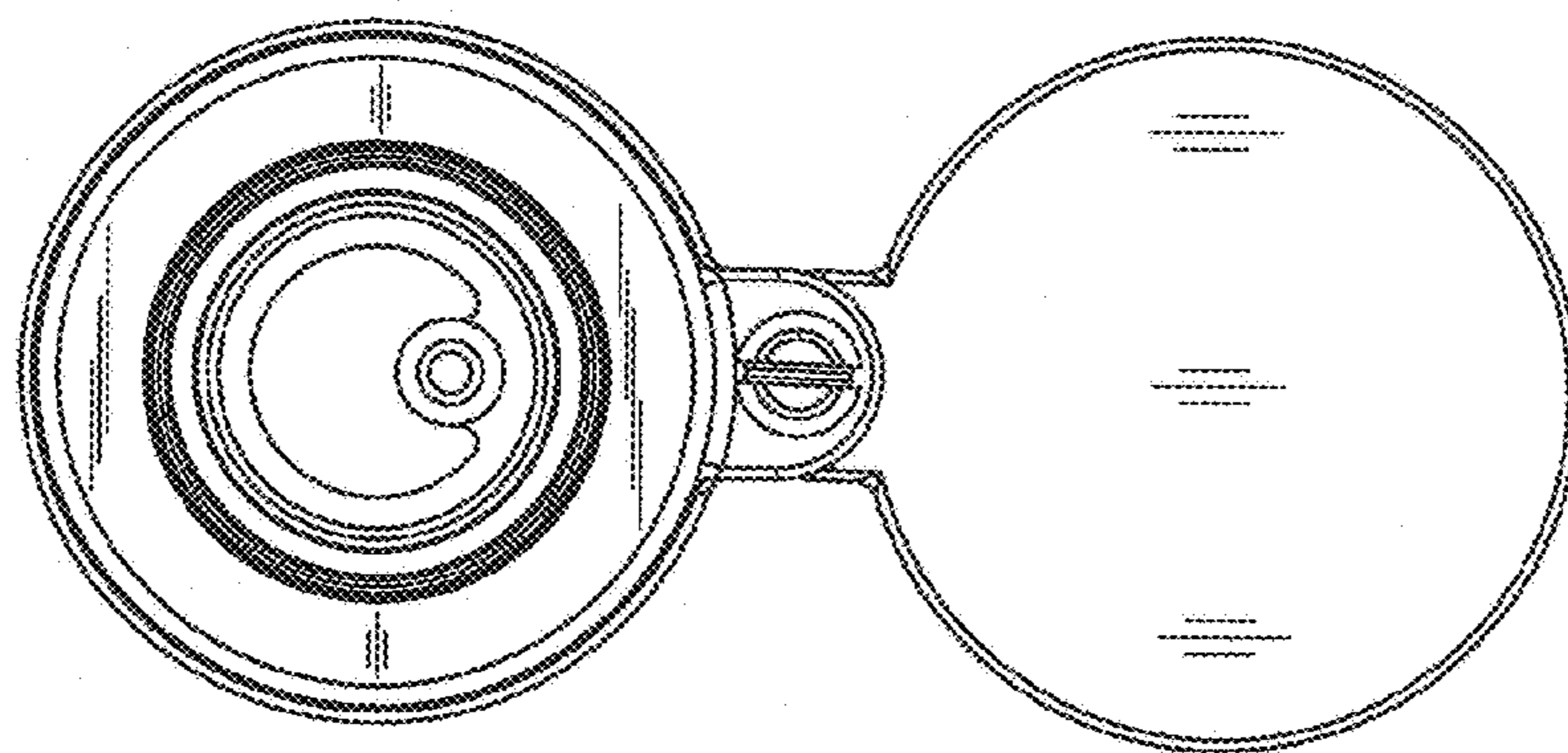


FIG. 7

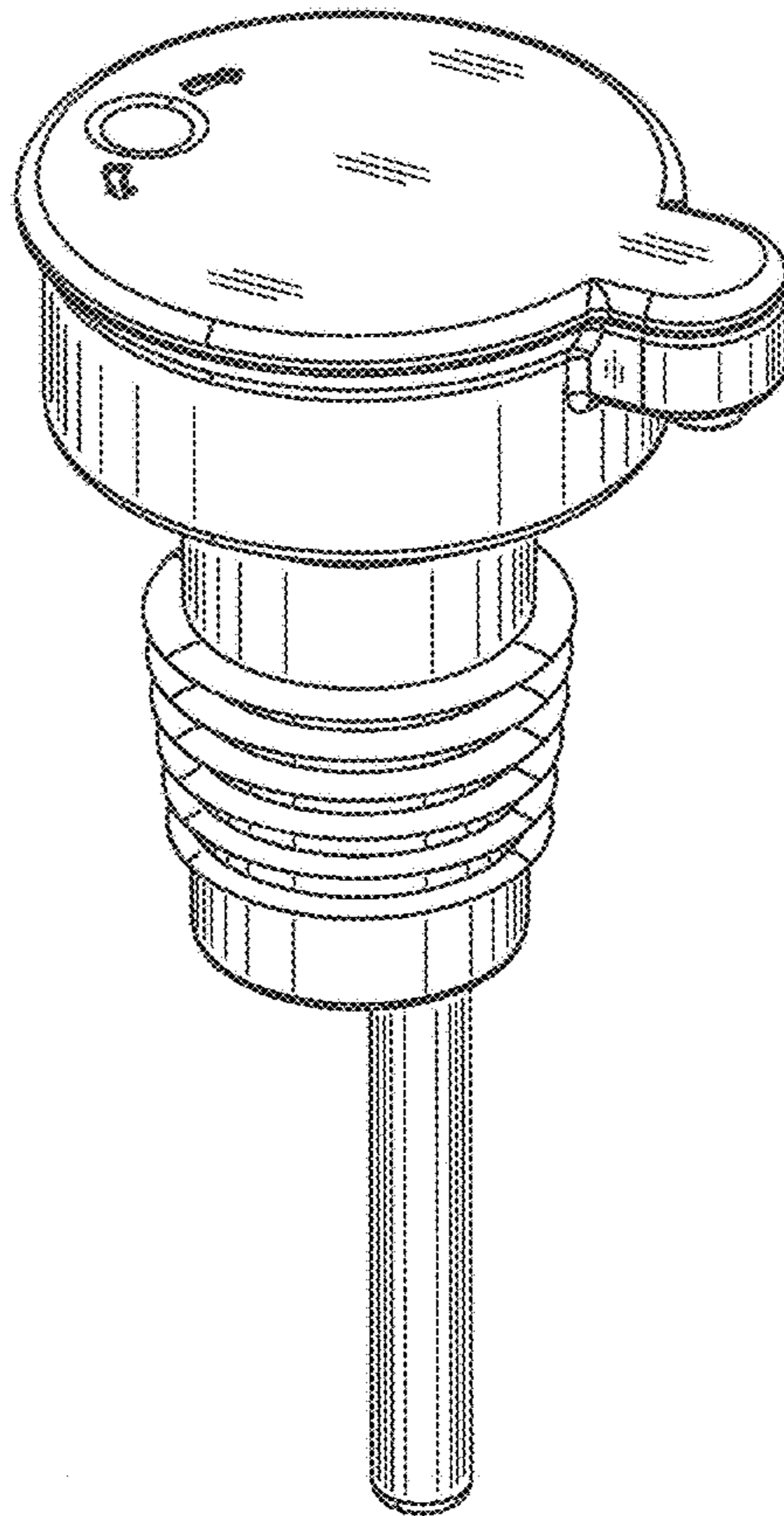


FIG. 8