



US00D747197S

(12) **United States Design Patent**
Bartels et al.

(10) **Patent No.:** **US D747,197 S**
(45) **Date of Patent:** **** Jan. 12, 2016**

- (54) **PACKAGE FOR ABSORBENT ARTICLES**
- (71) Applicant: **The Procter & Gamble Company,**
Cincinnati, OH (US)
- (72) Inventors: **Kara Marie Bartels,** West Chester, OH
(US); **JuKyoung Ham,** Cincinnati, OH
(US)
- (73) Assignee: **The Procter & Gamble Company,**
Cincinnati, OH (US)
- (**) Term: **14 Years**
- (21) Appl. No.: **29/488,162**
- (22) Filed: **Apr. 16, 2014**

D590,253 S	4/2009	Seol et al.	
D599,201 S *	9/2009	Seol et al.	D9/432
D600,548 S	9/2009	Seol et al.	
D603,701 S	11/2009	Seol et al.	
D608,636 S	1/2010	Seol	
D611,832 S	3/2010	Champion et al.	
D612,260 S	3/2010	Champion	
D612,261 S	3/2010	Champion et al.	
D621,702 S *	8/2010	Tekulve et al.	D9/432
D622,774 S	8/2010	Seum et al.	
D626,010 S	10/2010	Criss et al.	
D636,666 S *	4/2011	Bone et al.	D9/432
D636,667 S *	4/2011	Barclay et al.	D9/432
D646,562 S *	10/2011	Liebowitz et al.	D9/418
D649,874 S	12/2011	Barclay et al.	
D650,273 S	12/2011	Tekulve et al.	
D650,676 S	12/2011	Schwartz et al.	
D654,789 S *	2/2012	DuVal	D9/432
D655,155 S *	3/2012	Tekulve et al.	D9/432

(Continued)

Related U.S. Application Data

- (62) Division of application No. 29/458,516, filed on Jun. 20, 2013, now Pat. No. Des. 706,629.
- (51) **LOC (10) Cl.** **09-07**
- (52) **U.S. Cl.**
USPC **D9/434**
- (58) **Field of Classification Search**
USPC D9/414-434, 707, 710, 759, 652, 756,
D9/732, 761; D7/354, 629, 538, 565, 610
CPC B65D 5/4204
See application file for complete search history.

Primary Examiner — Susan Bennett Hattan

Assistant Examiner — Brett Miller

(74) *Attorney, Agent, or Firm* — Andrew J. Hagerty

(57)

CLAIM

The ornamental design for a package for absorbent articles, as shown and described.

DESCRIPTION

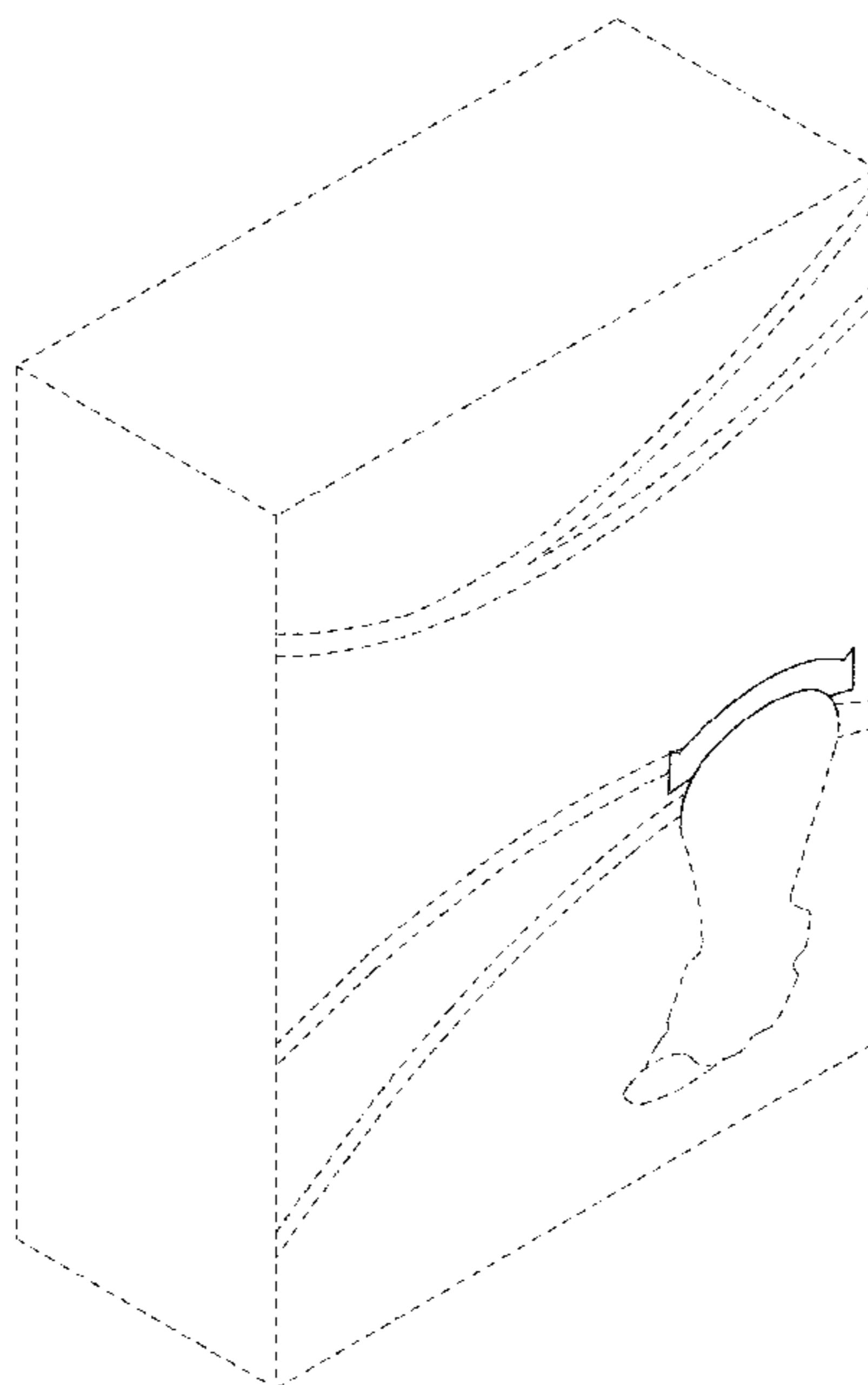
FIG. 1 is a front perspective view of a package for absorbent articles, embodying the new design;
FIG. 2 is a front view of the design shown in FIG. 1;
FIG. 3 is a back view of the design shown in FIG. 1;
FIG. 4 is a right side view of the design shown in FIG. 1;
FIG. 5 is a left side view of the design shown in FIG. 1;
FIG. 6 is a top view of the design shown in FIG. 1; and,
FIG. 7 is a bottom view of the design shown in FIG. 1.

1 Claim, 3 Drawing Sheets

(56) **References Cited**

U.S. PATENT DOCUMENTS

D283,309 S *	4/1986	Caldwell et al.	D9/416
D587,111 S	2/2009	Seol et al.	
D590,250 S	4/2009	Seol	
D590,251 S	4/2009	Seol et al.	
D590,252 S	4/2009	Seol et al.	



US D747,197 S

Page 2

(56)

References Cited

U.S. PATENT DOCUMENTS

D655,156 S 3/2012 Schrimpf et al.
D660,145 S 5/2012 Tekulve et al.
D678,764 S * 3/2013 Powers et al. D9/434
D680,428 S * 4/2013 Vanden Boom et al. D9/434

D680,864 S 4/2013 Thompson et al.
D680,865 S 4/2013 Thompson et al.
D683,216 S * 5/2013 Thompson et al. D9/434
D689,769 S * 9/2013 Oates et al. D9/434
D693,680 S * 11/2013 Klopp et al. D9/434

* cited by examiner

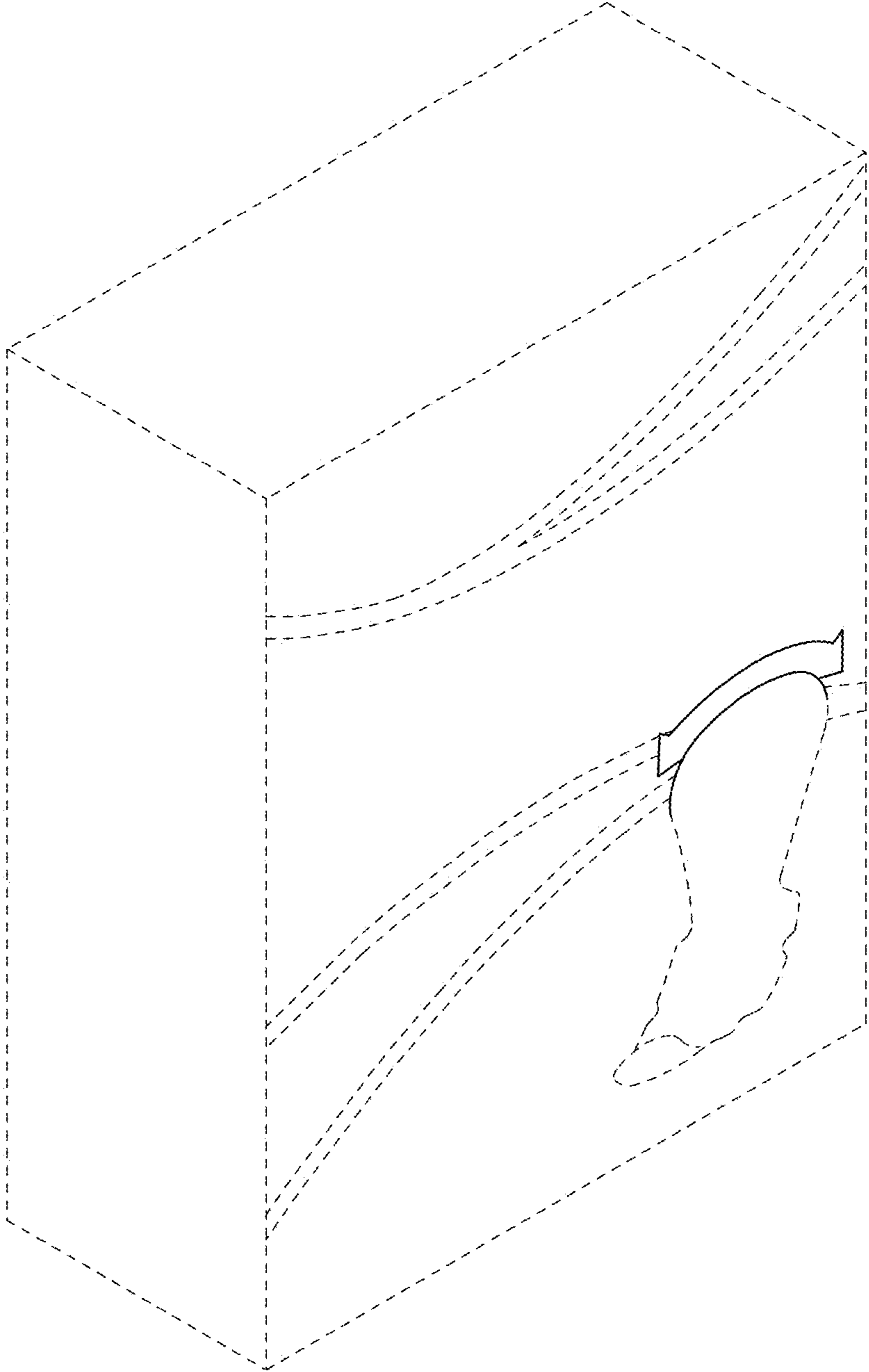


Fig. 1

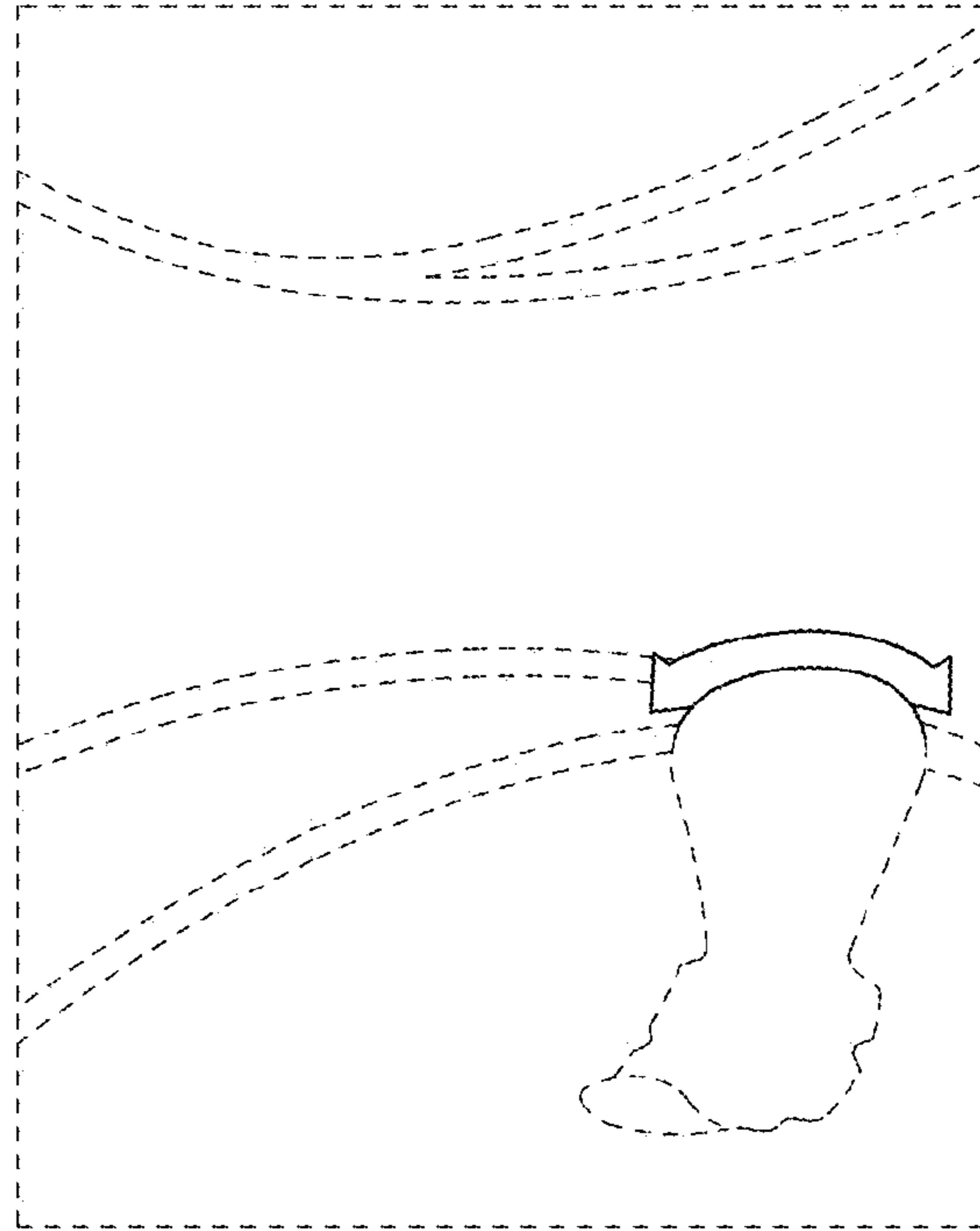


Fig. 2

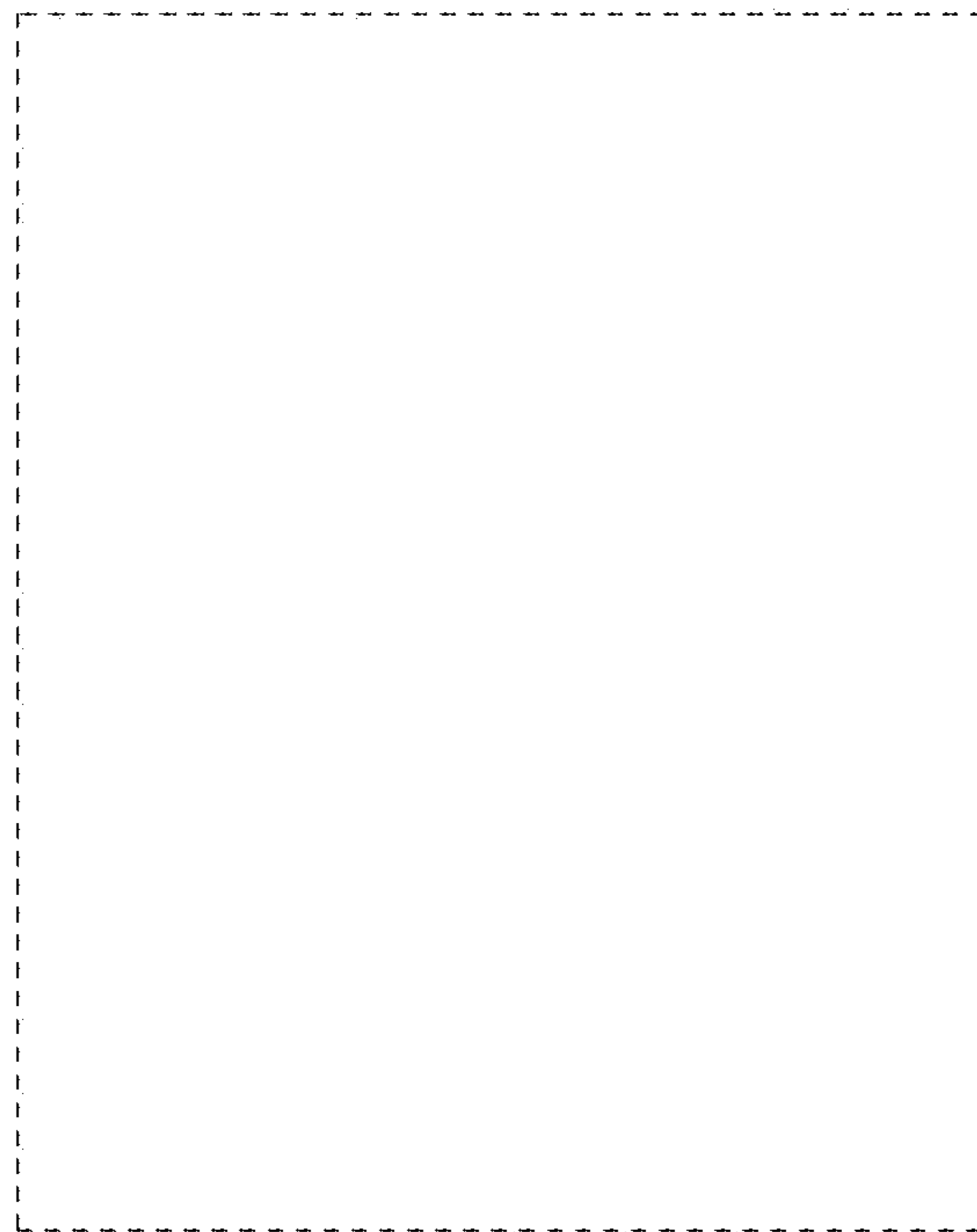


Fig. 3

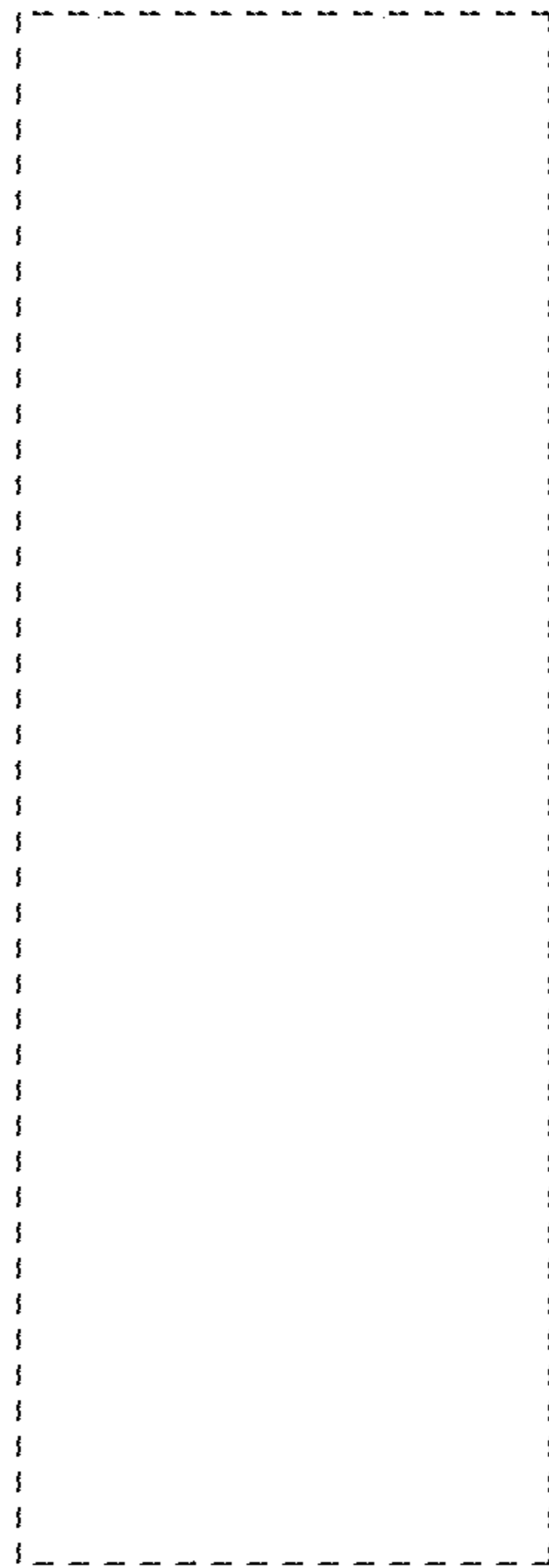


Fig. 4

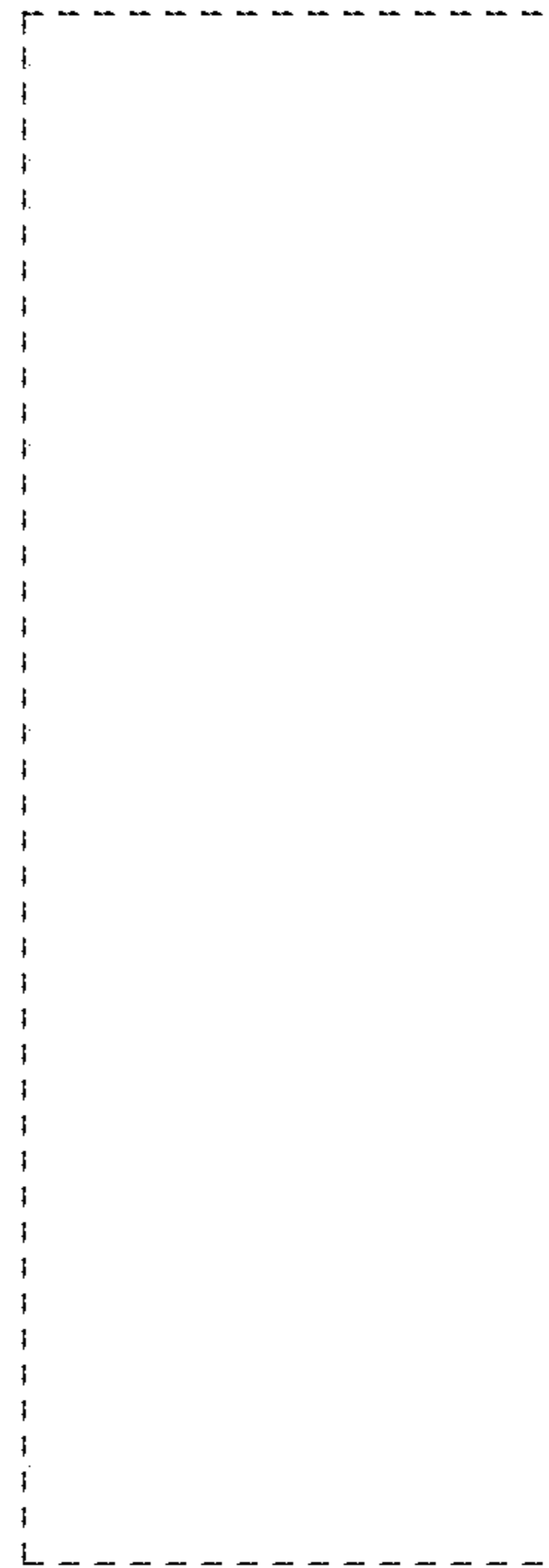


Fig. 5



Fig. 6



Fig. 7