



US00D747191S

(12) **United States Design Patent**
Nameth et al.

(10) **Patent No.:** **US D747,191 S**
(45) **Date of Patent:** **** Jan. 12, 2016**

(54) **FOLDED CONTAINER**

(56) **References Cited**

(71) Applicants: **Kraft Foods Group Brands LLC**,
Northfield, IL (US); **Graphic Packaging**
International, Inc., Menasha, WI (US)

U.S. PATENT DOCUMENTS

(72) Inventors: **Tracy L. Nameth**, Chicago, IL (US);
Bradley J. Burke, Glendale Heights, IL
(US); **Ronald R. Werts, III**, Waupun,
WI (US); **Tracy Brock**, Waupun, WI
(US); **Todd Ruhbusch**, Holmen, WI
(US)

425,188 A *	4/1890	Riedell	229/122
2,369,385 A	2/1945	Carruth, et al.	
2,396,310 A	3/1946	Yungblut	
2,844,297 A	7/1958	Holmes	
2,906,444 A	9/1959	Weiss, et al.	
2,963,214 A	12/1960	Leone et al.	
3,073,501 A	1/1963	Williamson	
3,078,030 A	2/1963	Gorton	
3,125,280 A	3/1964	Henry	
3,191,848 A	6/1965	Meyers	
3,283,991 A	11/1966	Hughes	
3,294,309 A	12/1966	Coe	
3,310,222 A	3/1967	Buttery	
3,338,505 A	8/1967	Hughes	

(73) Assignees: **Kraft Foods Group Brands LLC**,
Northfield, IL (US); **Graphic Packaging**
International, Inc., Menasha, WI (US)

(Continued)

(**) Term: **14 Years**

Primary Examiner — Susan Bennett Hattan

(21) Appl. No.: **29/485,587**

Assistant Examiner — Vy Koenig

(22) Filed: **Mar. 20, 2014**

(74) *Attorney, Agent, or Firm* — Foley & Lardner LLP

Related U.S. Application Data

(62) Division of application No. 29/449,261, filed on Mar. 14, 2013, now Pat. No. Des. 705,053.

(51) **LOC (10) Cl.** **09-03**

(52) **U.S. Cl.**
USPC **D9/432**

(58) **Field of Classification Search**
USPC D9/414-433, 444-445, 456, 711, 715,
D9/718, 748; D7/601, 602, 538, 540,
D7/550.1; D3/203.5, 202, 207, 210;
D4/116

CPC B65D 5/00; B65D 5/001; B65D 5/0015;
B65D 5/0227-5/0254; B65D 5/0045; B65D
5/18; B65D 5/2033; B65D 5/38; B65D 5/40;
B65D 1/22; B65D 1/225; B65D 1/24; B65D
1/34; B65D 1/38

See application file for complete search history.

(57) **CLAIM**

We claim the ornamental design for a folded container, as shown and described.

DESCRIPTION

FIG. 1 is a front perspective view of an embodiment of the claimed design;

FIG. 2 is a front view of FIG. 1;

FIG. 3 is a rear view of FIG. 1;

FIG. 4 is a top view of FIG. 1;

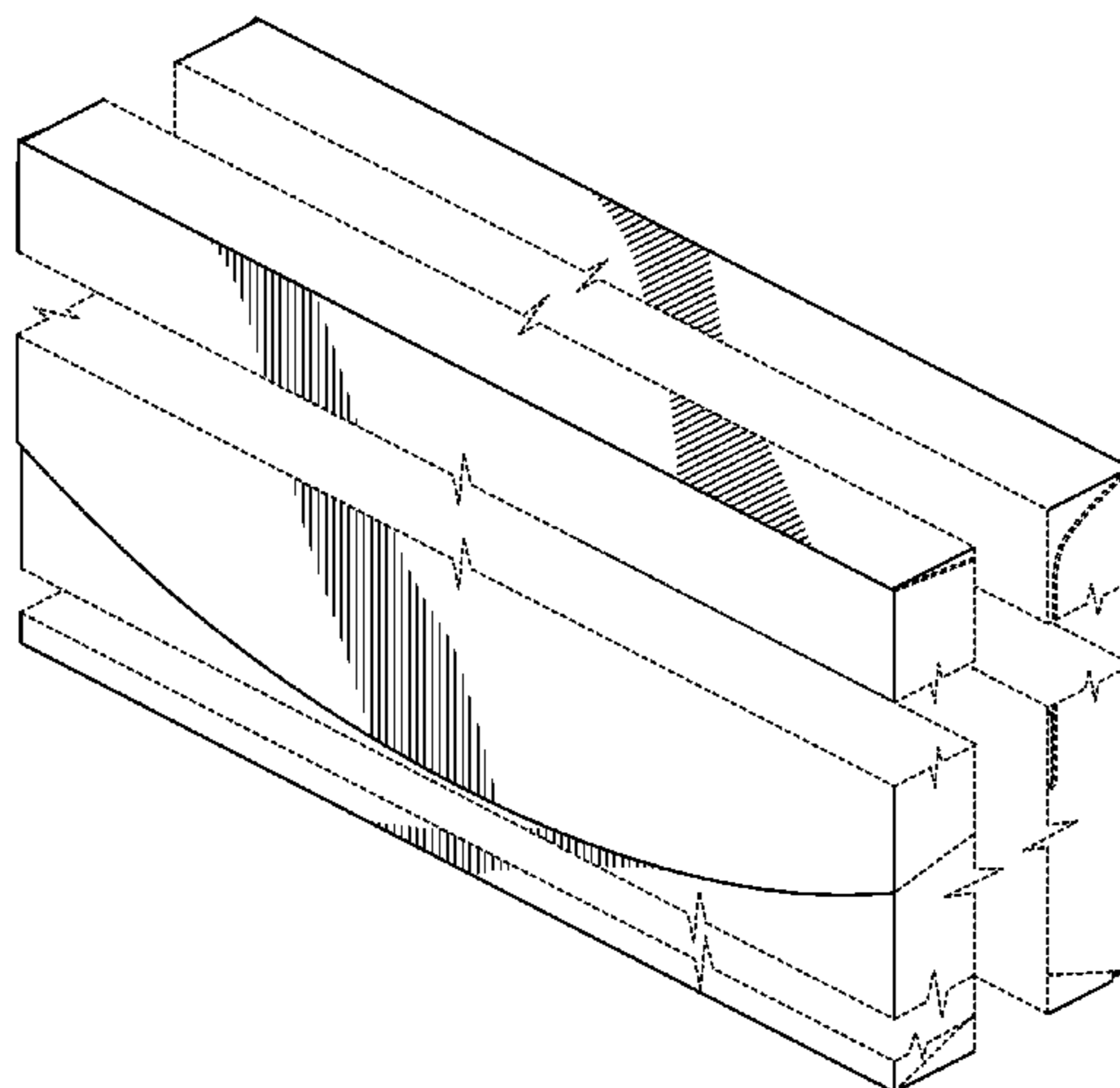
FIG. 5 is a bottom view of FIG. 1;

FIG. 6 is a right side view of FIG. 1; and,

FIG. 7 is a left side view of FIG. 1.

The broken lines in the drawings show unclaimed subject matter and form no part of the claimed design. The broken away symbols in the drawings indicate the appearance of any portion of the article between the break lines forms no part of the claimed design.

1 Claim, 5 Drawing Sheets



(56)

References Cited

U.S. PATENT DOCUMENTS

3,432,090 A	3/1969	Engel	6,105,856 A	8/2000	Kakiuchi	
3,608,812 A	9/1971	Hamilton	6,206,280 B1	3/2001	Thresher et al.	
3,893,614 A	7/1975	Meyers	D454,303 S *	3/2002	Sipinen	D9/702
4,048,052 A	9/1977	Tolaas	D460,689 S	7/2002	Robinson	
4,083,455 A	4/1978	Keating, Jr.	6,604,676 B2	8/2003	Giblin	
4,113,104 A	9/1978	Meyers	D489,255 S	5/2004	Kratzert et al.	
4,141,449 A	2/1979	Stone	D512,304 S *	12/2005	Aldridge	D9/422
4,284,197 A	8/1981	Meyers	7,159,717 B2 *	1/2007	Aldridge et al.	206/449
4,688,677 A	8/1987	Roccaforte	D582,268 S *	12/2008	Zanaletti	D9/432
4,863,035 A	9/1989	Hiroshima	D587,996 S	3/2009	Steiger et al.	
5,203,495 A	4/1993	Jorgensen-Beck et al.	D613,153 S *	4/2010	Russell	D9/423
5,314,114 A	5/1994	Stone	D619,454 S *	7/2010	Fluegel et al.	D9/423
5,515,996 A	5/1996	Stone	D644,100 S *	8/2011	Stacy-Ryan	D9/423
5,553,773 A	9/1996	Focke et al.	D655,171 S *	3/2012	Bohache et al.	D9/516
5,653,384 A	8/1997	Shaikh	D675,912 S *	2/2013	Hunter	D9/420
D395,600 S	6/1998	Borghorst et al.	D685,261 S *	7/2013	Hunter	D9/420
5,947,368 A	9/1999	Thresher et al.	D705,053 S *	5/2014	Nameth et al.	D9/432
			2006/0027483 A1 *	2/2006	Aldridge	206/738
			2007/0108263 A1	5/2007	Nash	

* cited by examiner

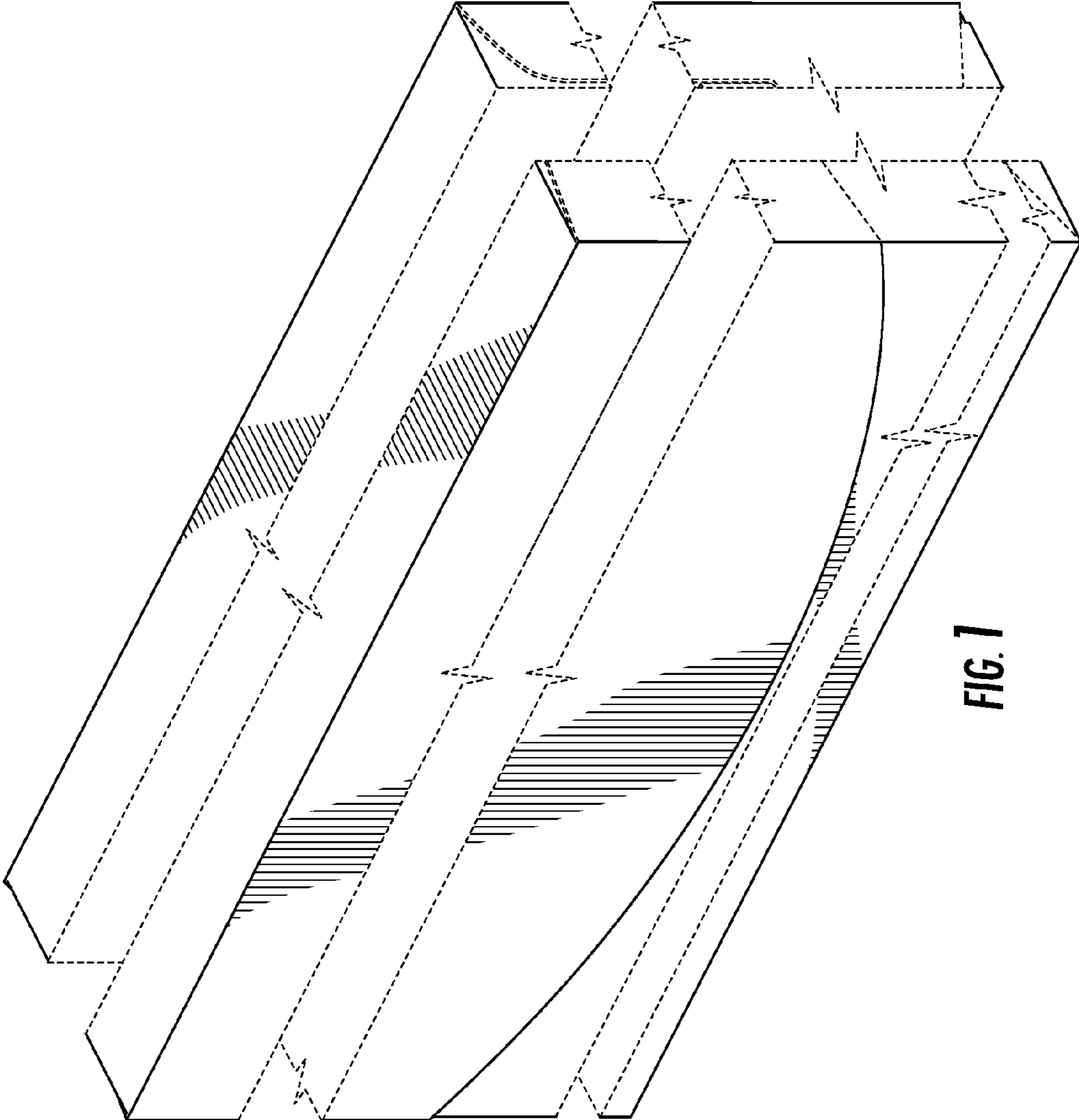


FIG. 1

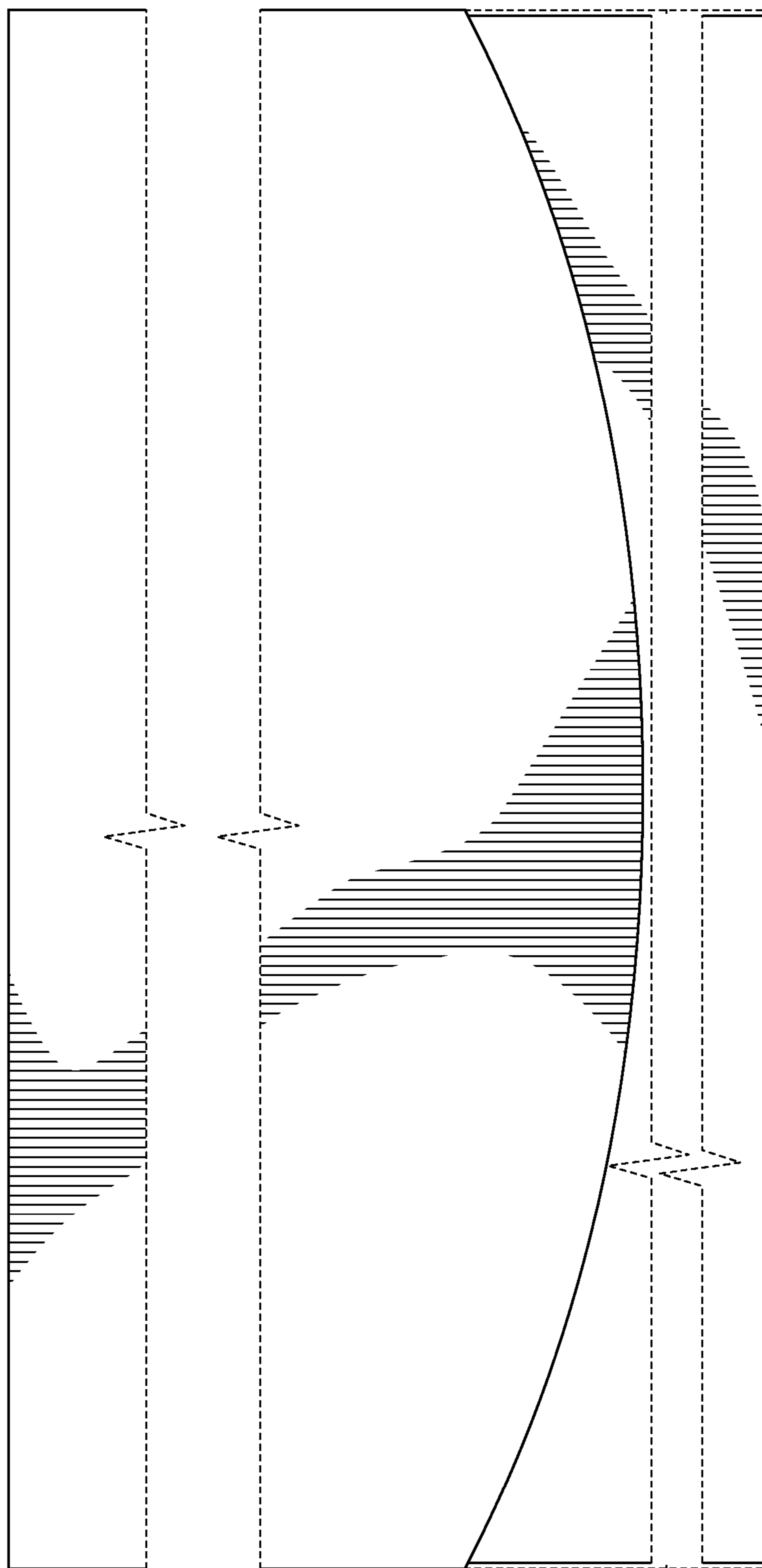


FIG. 2

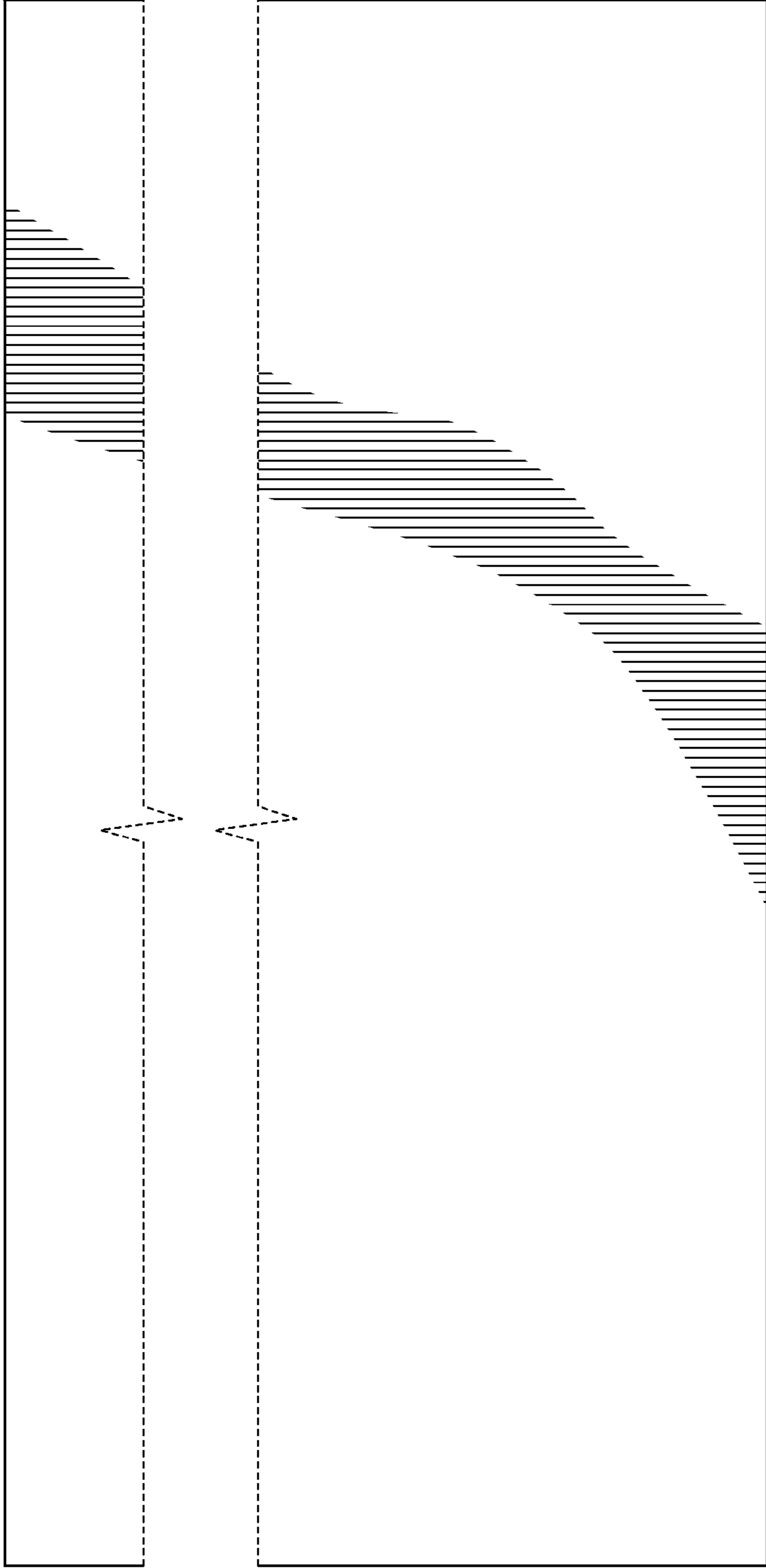


FIG. 3

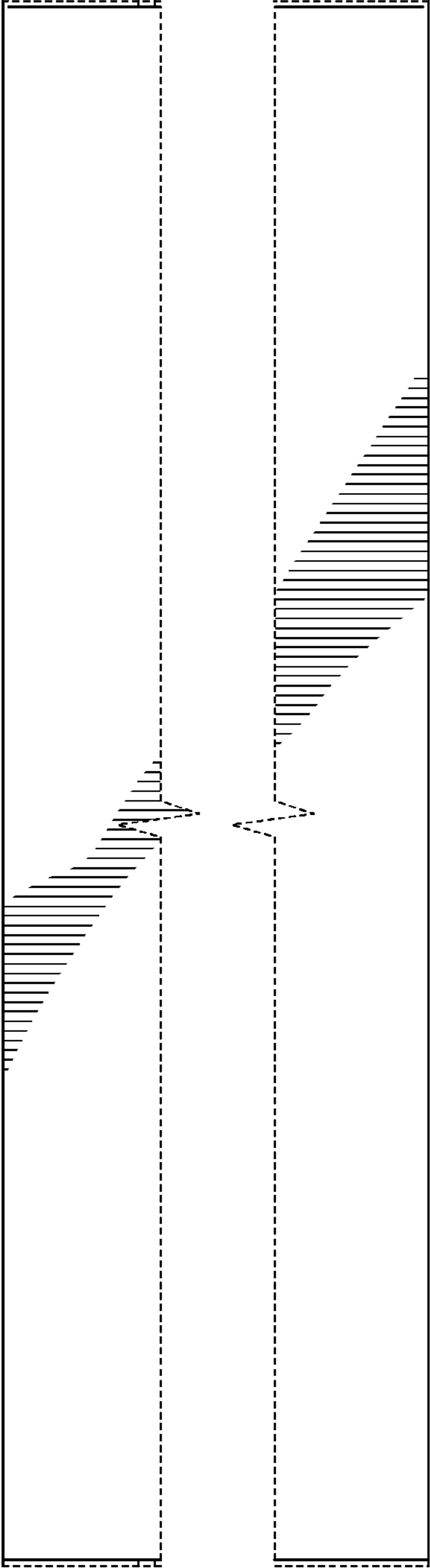


FIG. 4

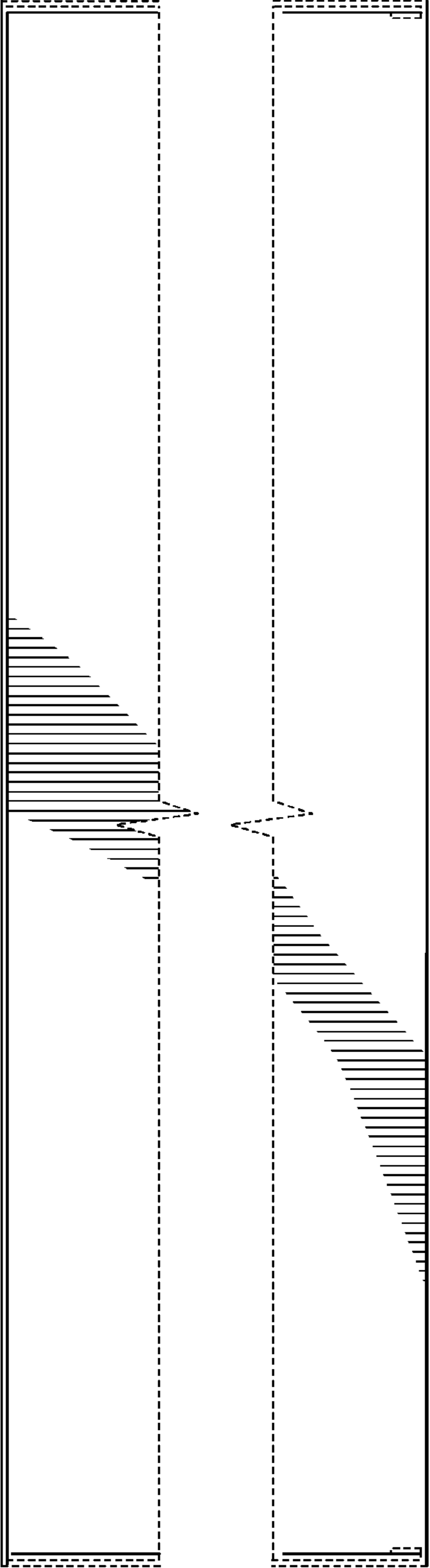


FIG. 5

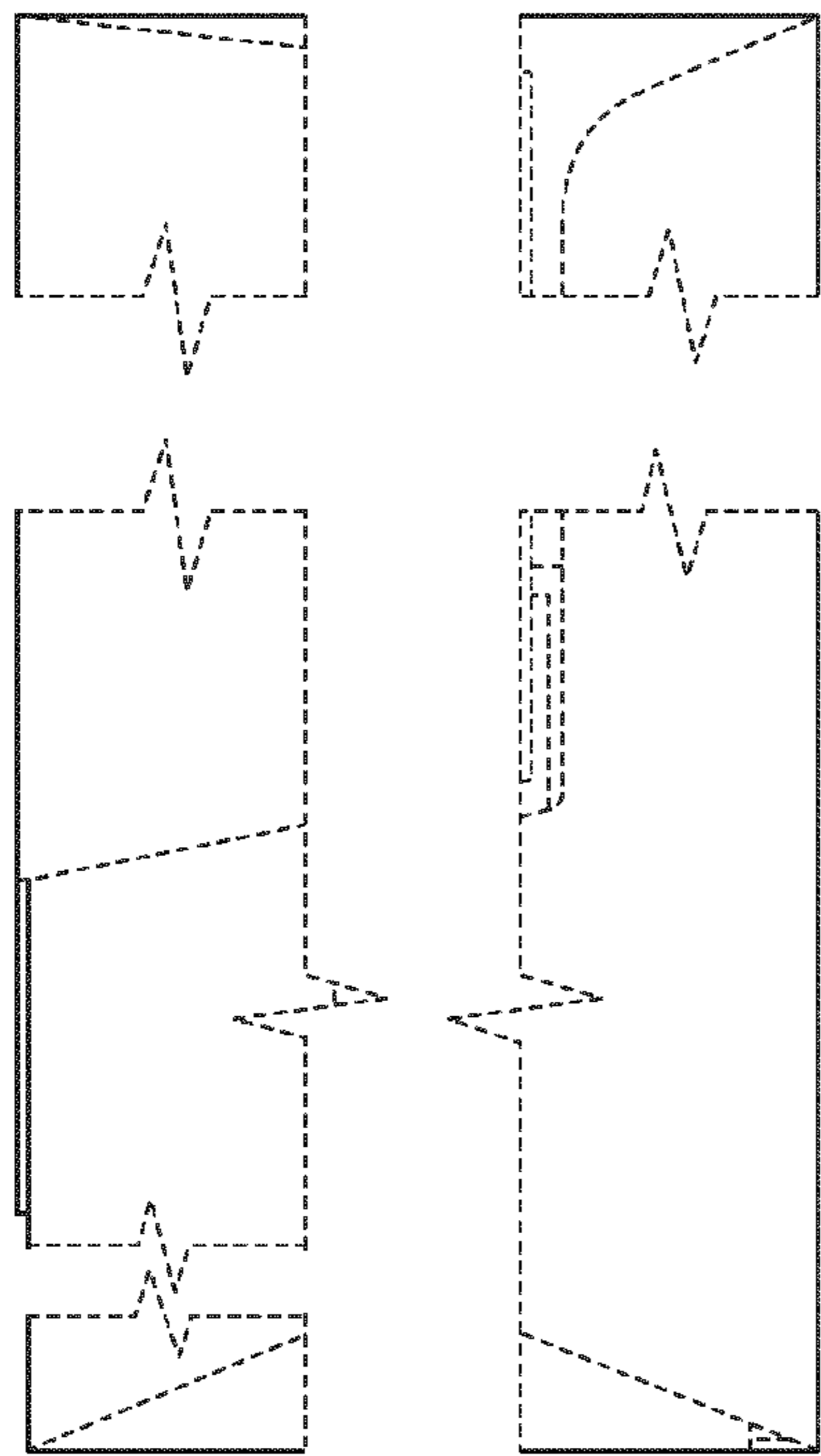


FIG. 6

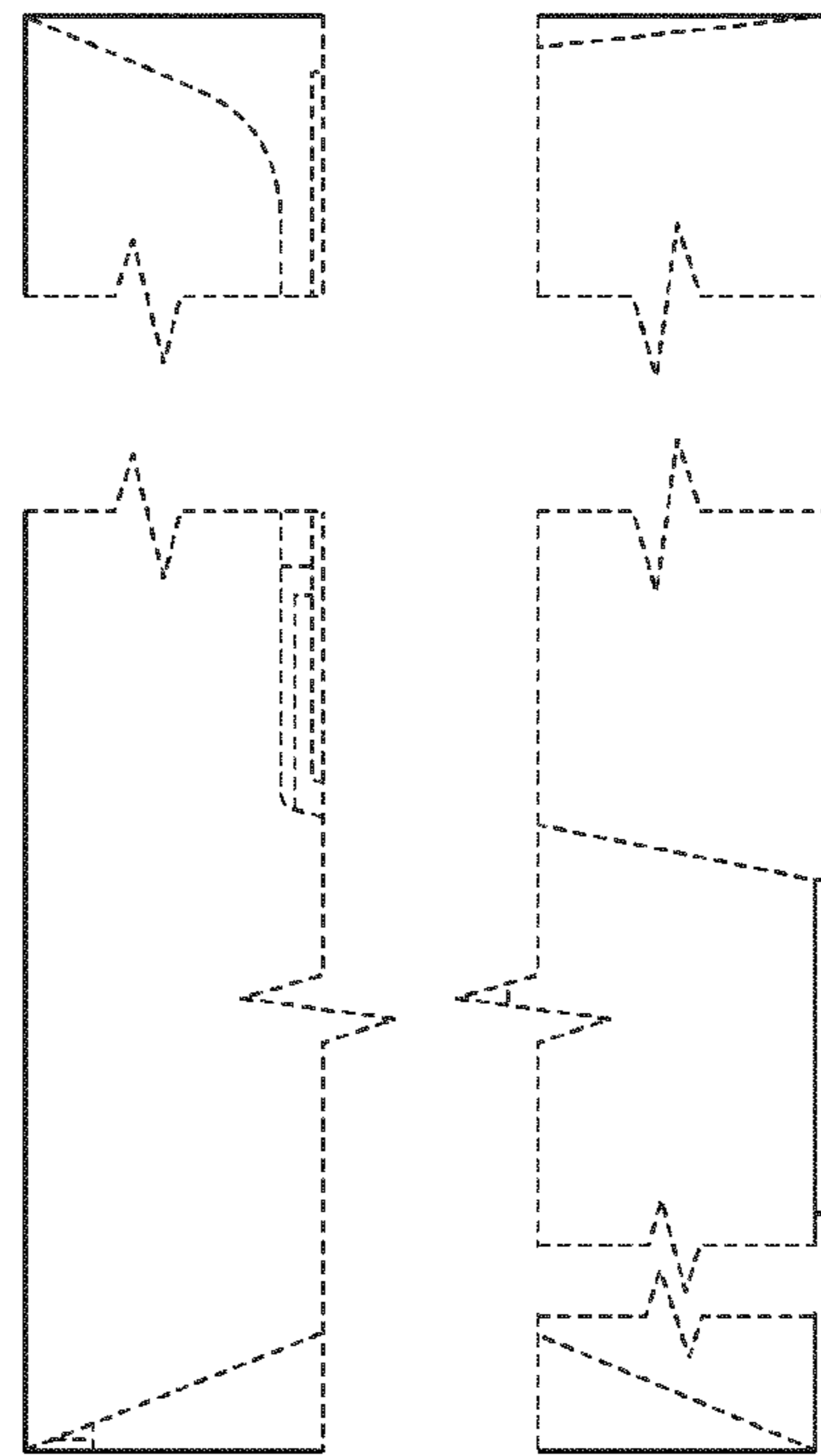


FIG. 7