



US00D747186S

(12) **United States Design Patent**
Palmer

(10) **Patent No.:** **US D747,186 S**
(45) **Date of Patent:** **** Jan. 12, 2016**

(54) **TEAR-AWAY PACKAGE**

(71) Applicant: **Brian Palmer**, Highwood, IL (US)

(72) Inventor: **Brian Palmer**, Highwood, IL (US)

(73) Assignee: **Medline Industries, Inc.**, Mundelein, IL (US)

(**) Term: **14 Years**

(21) Appl. No.: **29/450,090**

(22) Filed: **Mar. 15, 2013**

(51) **LOC (10) Cl.** **09-03**

(52) **U.S. Cl.**
USPC **D9/416**

(58) **Field of Classification Search**

USPC D9/346, 414-418, 424, 425, 423, 428, D9/429, 431-436, 445, 452-454, 499, 500, D9/504, 516, 519, 522, 529, 535, 537, 545, D9/551, 571, 672, 675, 702, 711, 715, 721, D9/722, 737, 748, 759, 740, 743, 745, 749, D9/756, 718, 713, 712, 546, 426, 457, 440, D9/438, 447, 700, 701, 670; 206/769, 773, 206/775-778, 395, 397-398, 223, 736, 756, 206/495, 349, 760, 541, 784; 229/162.1, 229/162.3, 162.7, 107, 122, 395, 938, 902, 229/409, 125.05, 116.1, 8, 22, 132, 131.1, 229/160, 125.15, 122.27, 122.31, 122.32, 229/123, 241, 172, 174, 185.1, 120.04, 229/120.13, 120.14, 120.23, 87.06, 92.3, 229/103.3, 104.114, 117, 117.08, 117.17, 229/120, 227; D21/108, 352, 366, 374, D21/375, 395, 399, 443, 455, 460, 488, 667, D21/797, 800; D11/142; D7/538

See application file for complete search history.

(56) **References Cited**

U.S. PATENT DOCUMENTS

D345,101 S * 3/1994 Abrams D9/423
D433,630 S * 11/2000 Lubineau-Bigot et al. D9/416

D472,463 S * 4/2003 Kinigakis D9/416
D486,390 S * 2/2004 Auclair et al. D9/416
D504,812 S * 5/2005 Keberlein et al. D9/416
7,097,038 B2 * 8/2006 Kinigakis 206/541
D601,419 S * 10/2009 Sant' Ana Caceres
et al. D9/433
D629,296 S * 12/2010 De Muynck D9/433
D661,919 S * 6/2012 Hester D6/407
D685,629 S * 7/2013 McAdam D9/420
D699,101 S * 2/2014 Strom et al. D9/416
D700,070 S * 2/2014 Markovic D9/736

* cited by examiner

Primary Examiner — Holly Baynham

Assistant Examiner — Rhea Shields

(74) *Attorney, Agent, or Firm* — McAndrews Held & Malloy, Ltd.

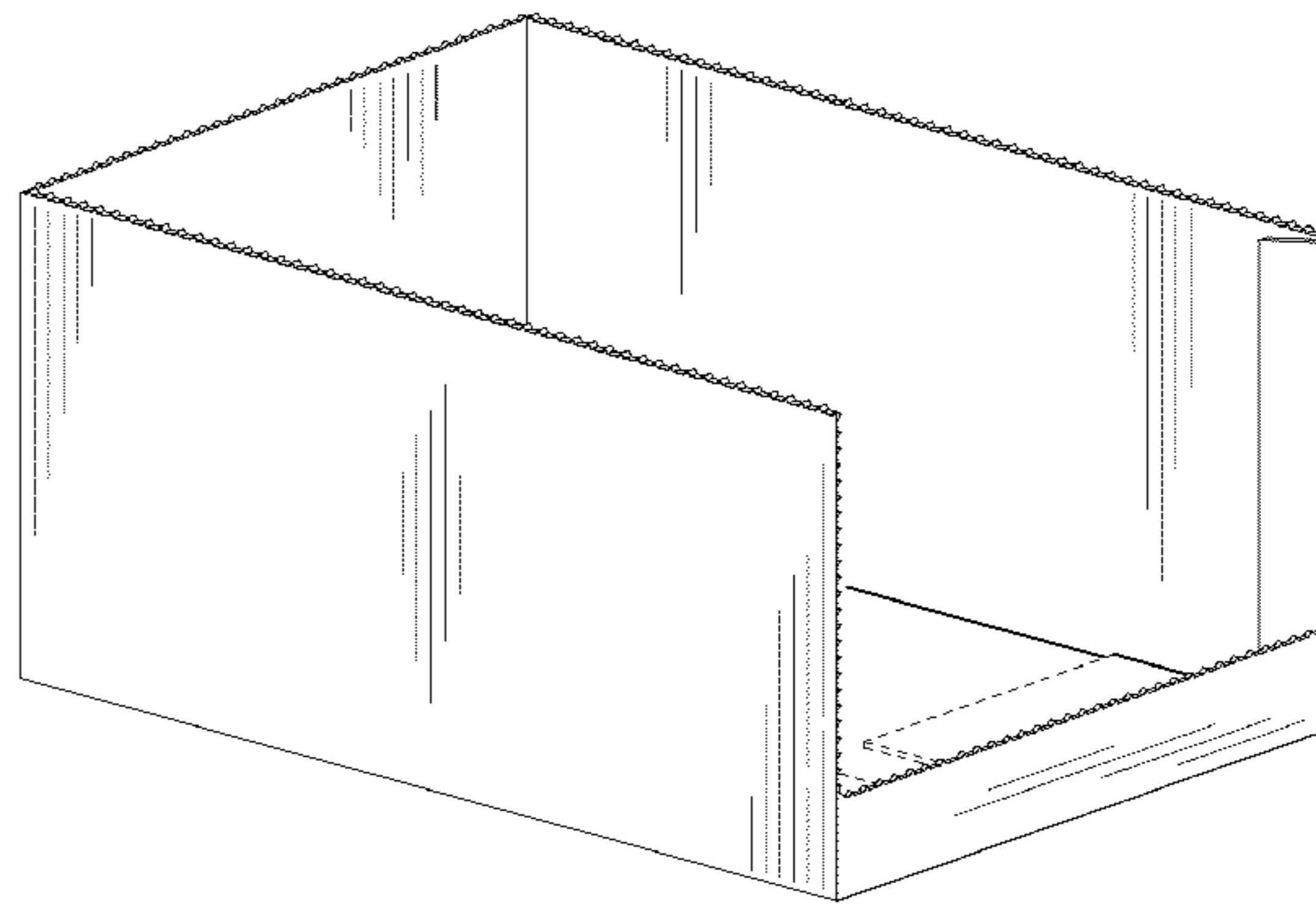
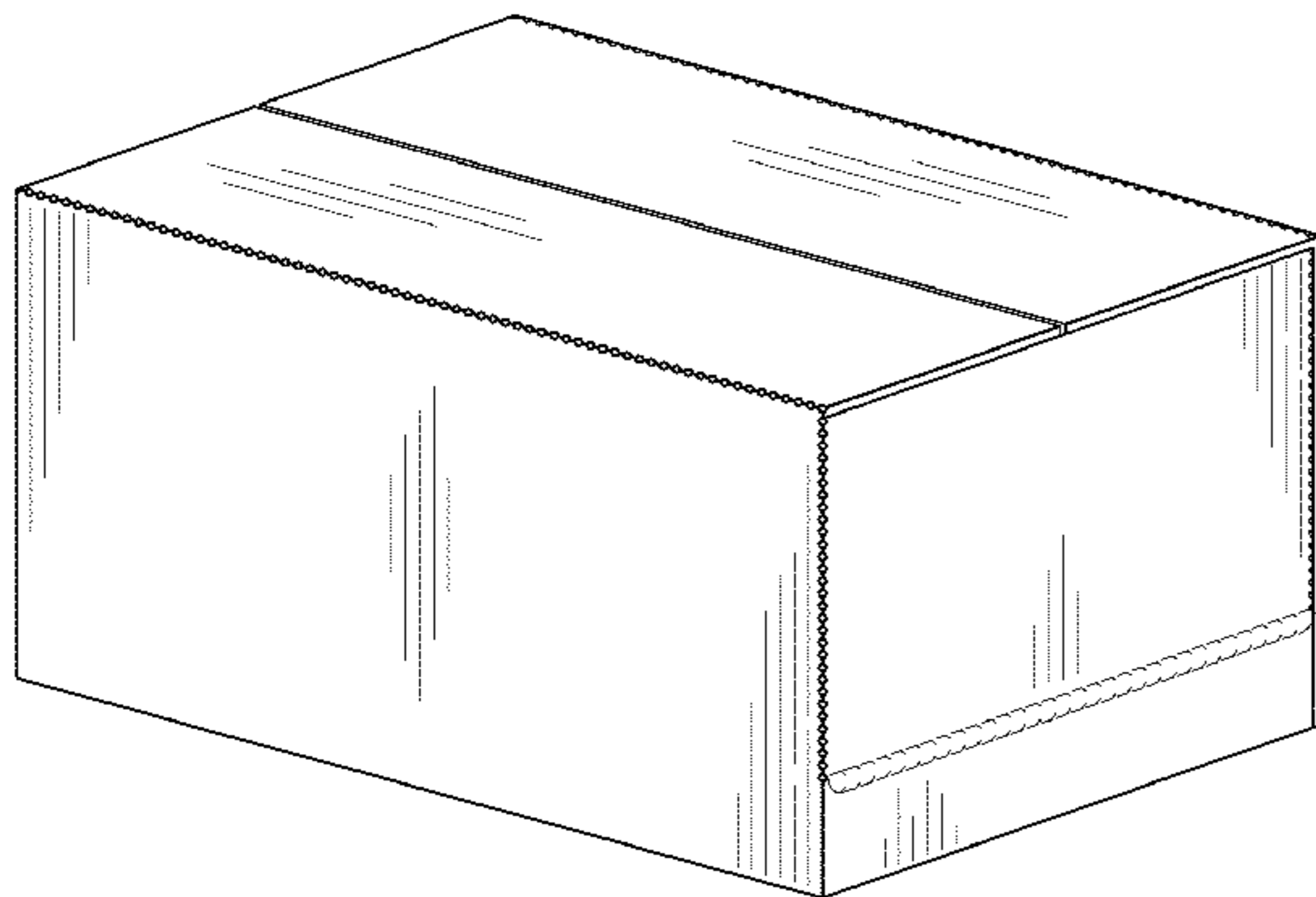
(57) **CLAIM**

The ornamental design for a tear-away package, as shown and described.

DESCRIPTION

FIG. 1 is a front perspective view of tear-away package in a closed position showing my new design;
FIG. 2 is a front elevation view thereof;
FIG. 3 is a rear elevation view thereof;
FIG. 4 is a left side elevation view thereof;
FIG. 5 is a right side elevation view thereof;
FIG. 6 is a top plan view thereof;
FIG. 7 is a bottom plan view thereof;
FIG. 8 is a front perspective view thereof in an opened position;
FIG. 9 is a front elevation view thereof;
FIG. 10 is a rear elevation view thereof;
FIG. 11 is a left side elevation view thereof;
FIG. 12 is a right side elevation view thereof;
FIG. 13 is a top plan view thereof; and,
FIG. 14 is a bottom plan view thereof.
In the drawings, the broken lines are for the purpose of illustrating environment only and form no part of the claimed design.

1 Claim, 8 Drawing Sheets



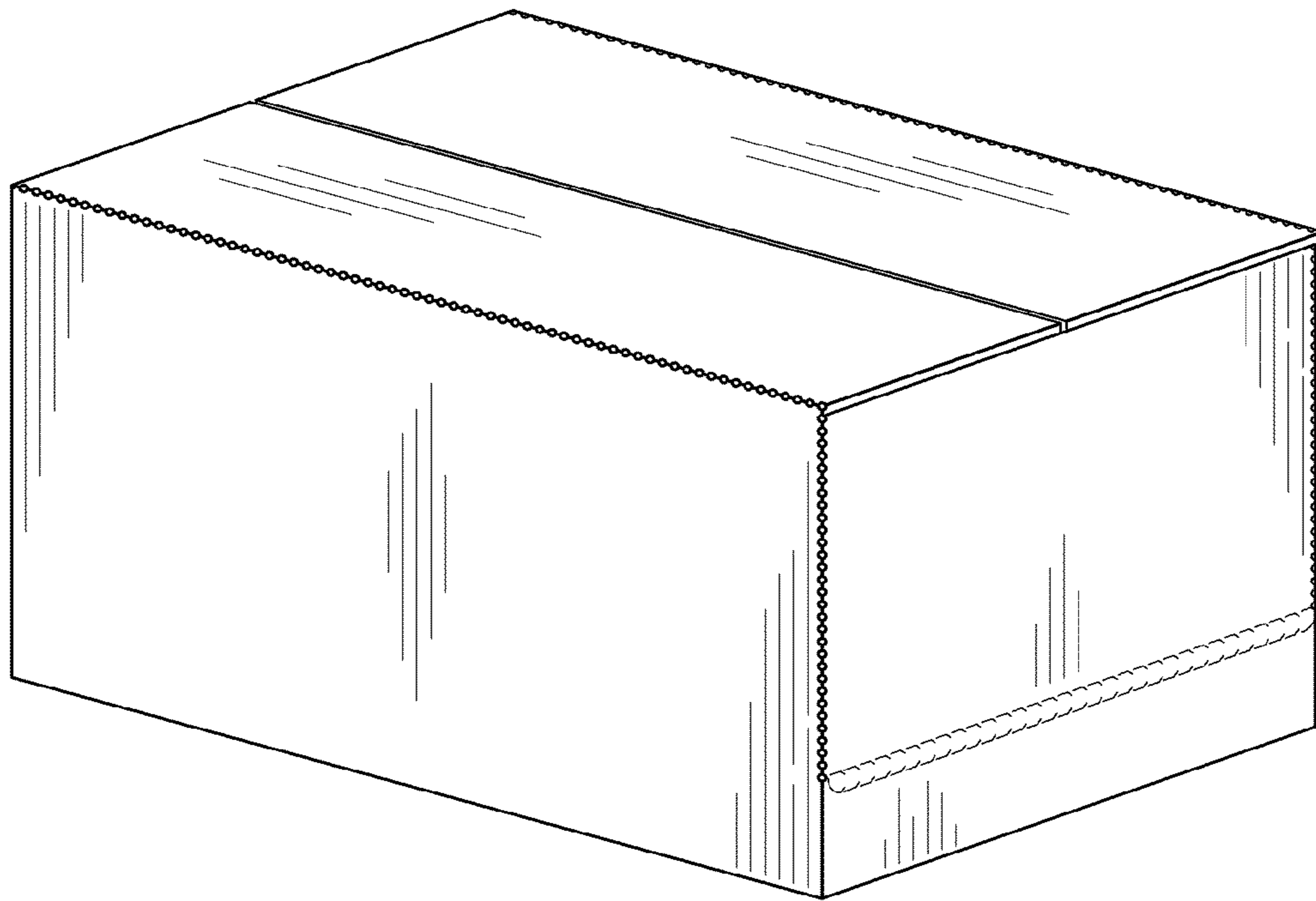


FIG. 1

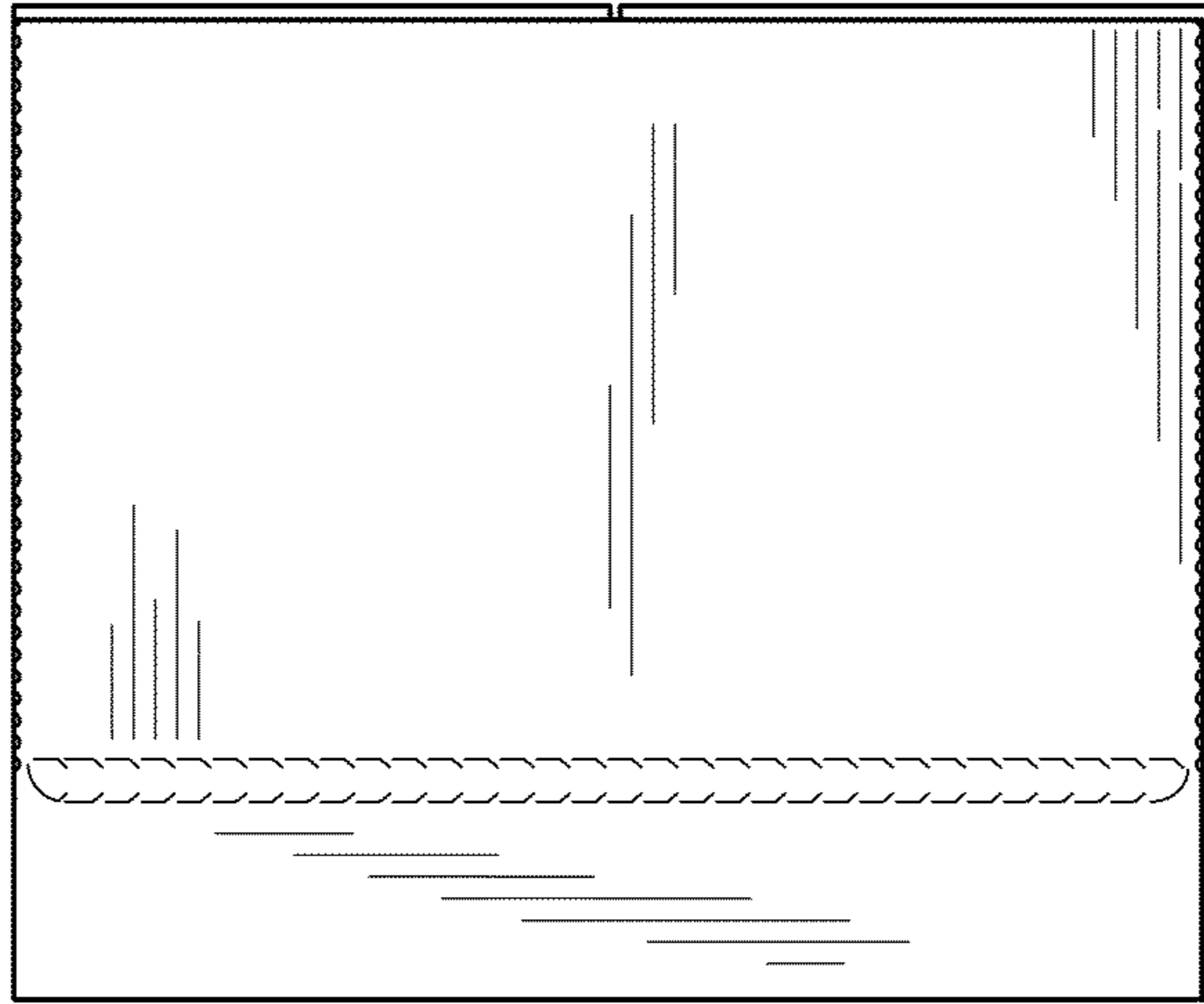


FIG. 2

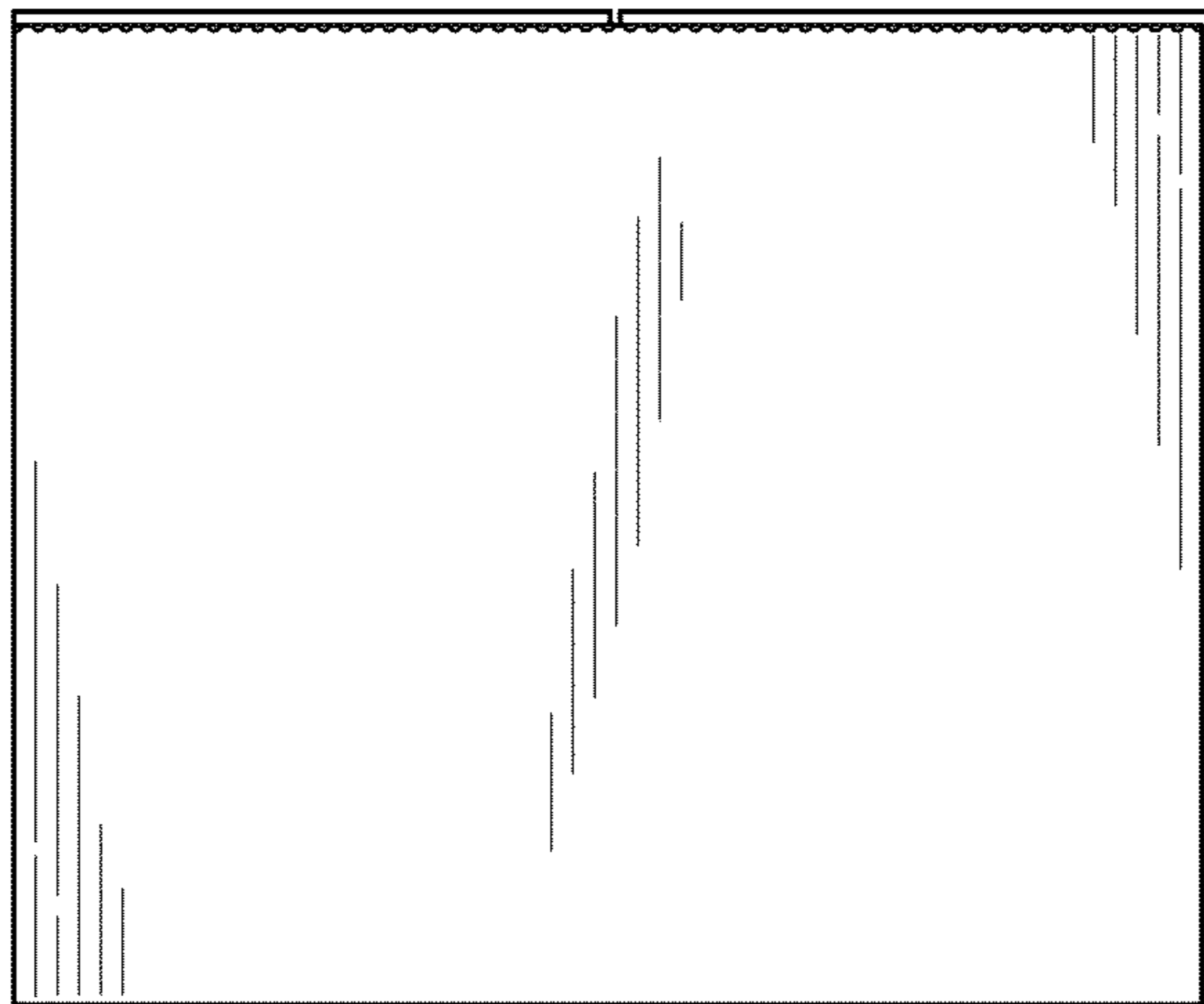


FIG. 3

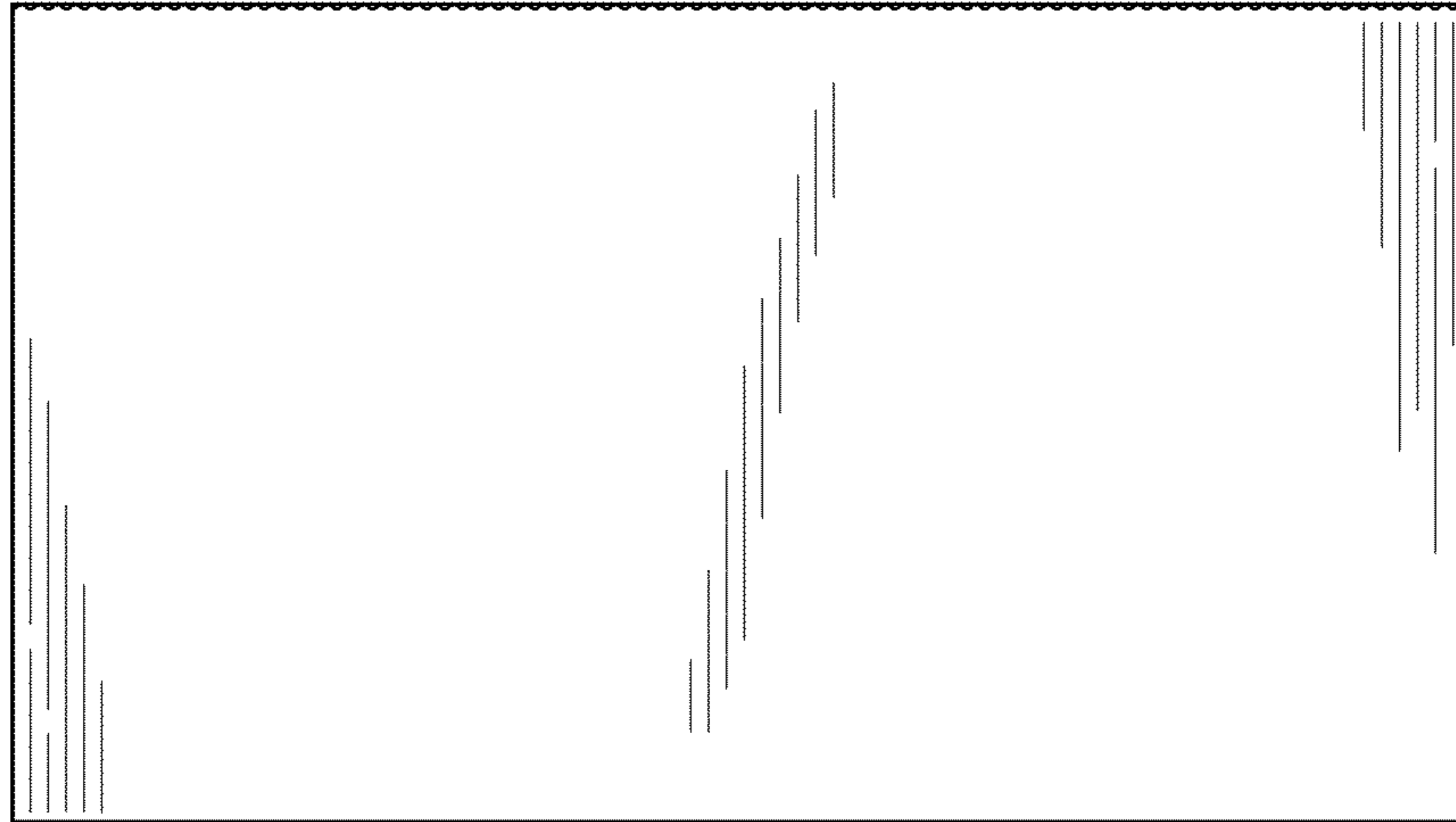


FIG. 4

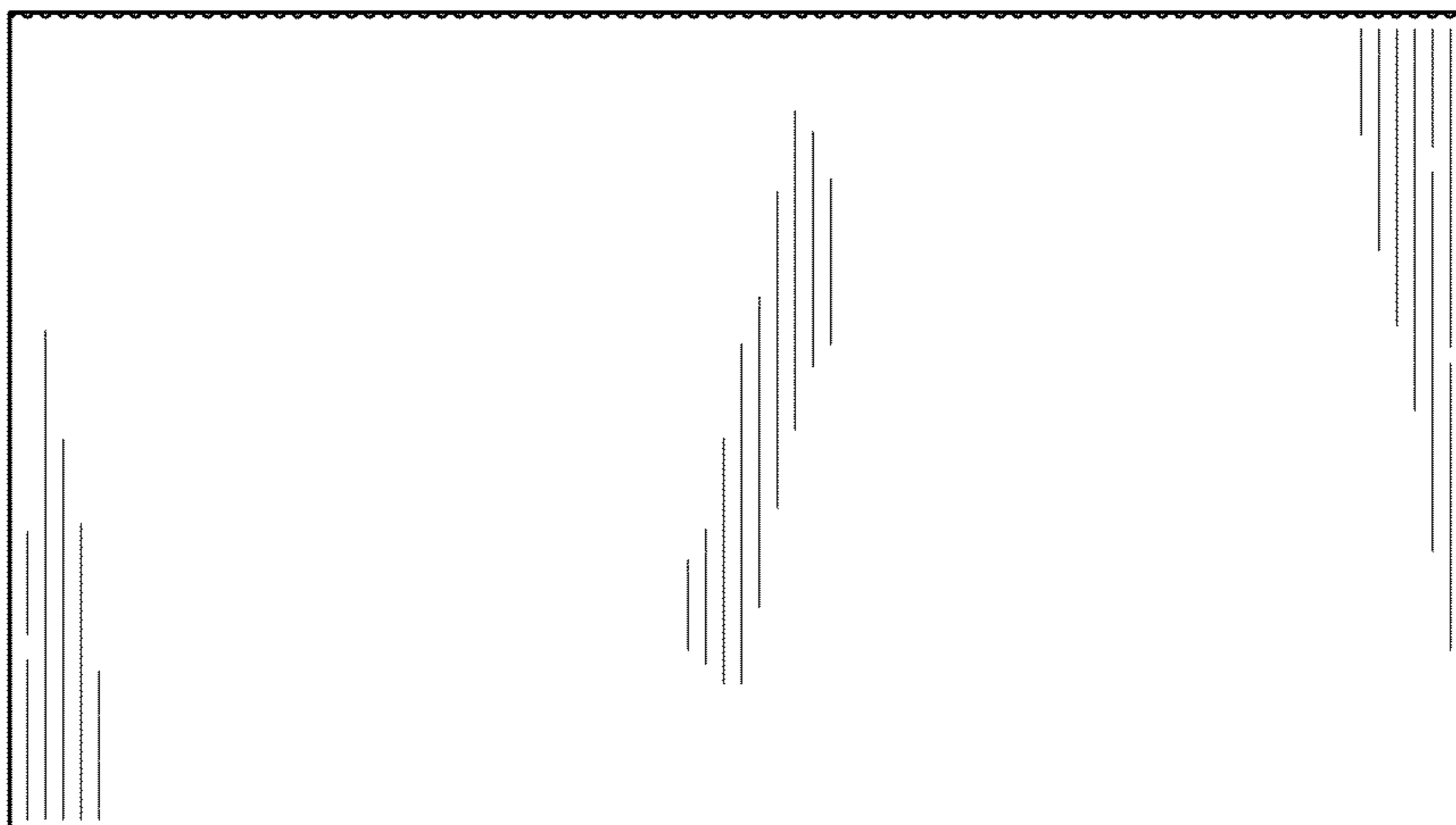


FIG. 5

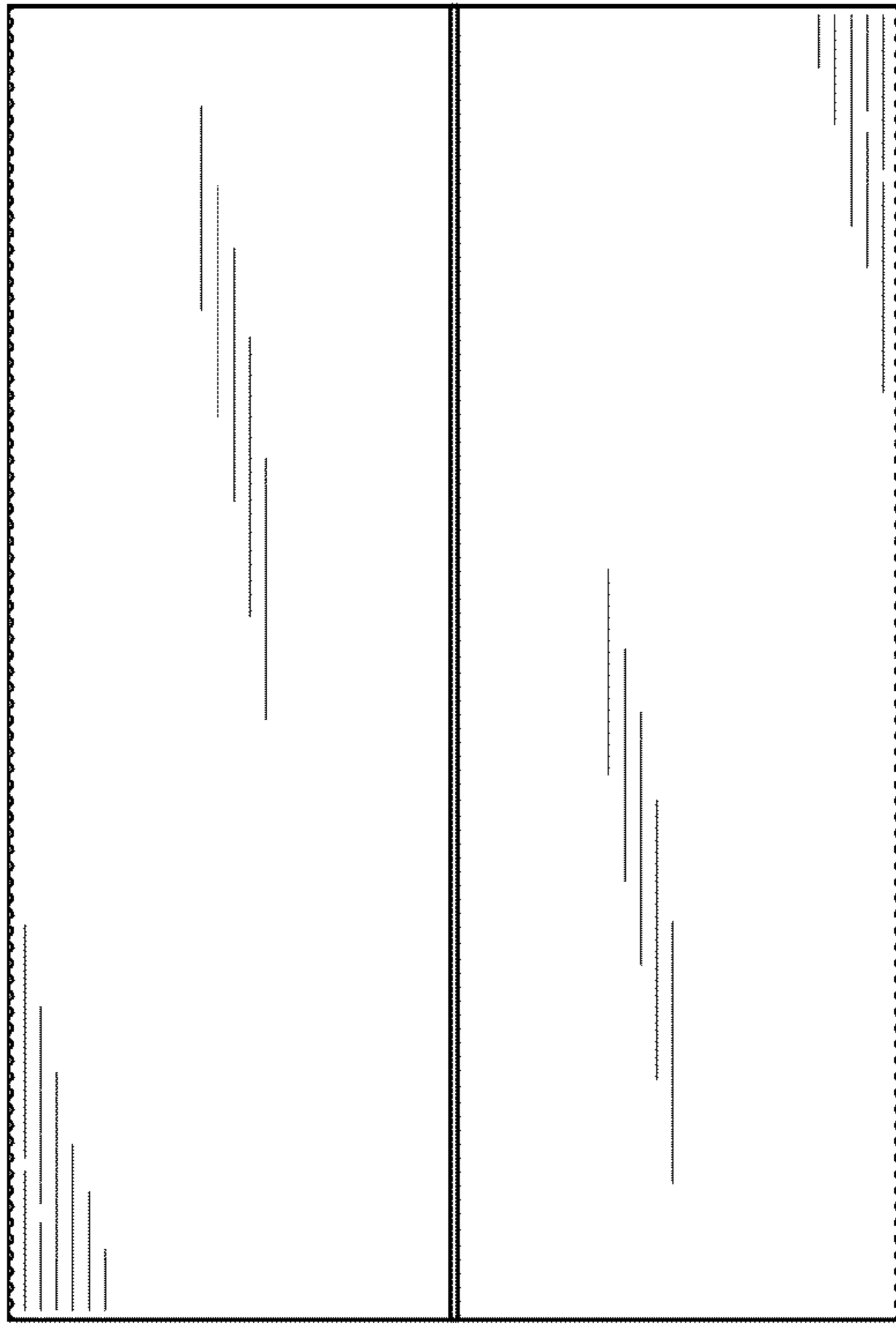


FIG. 6

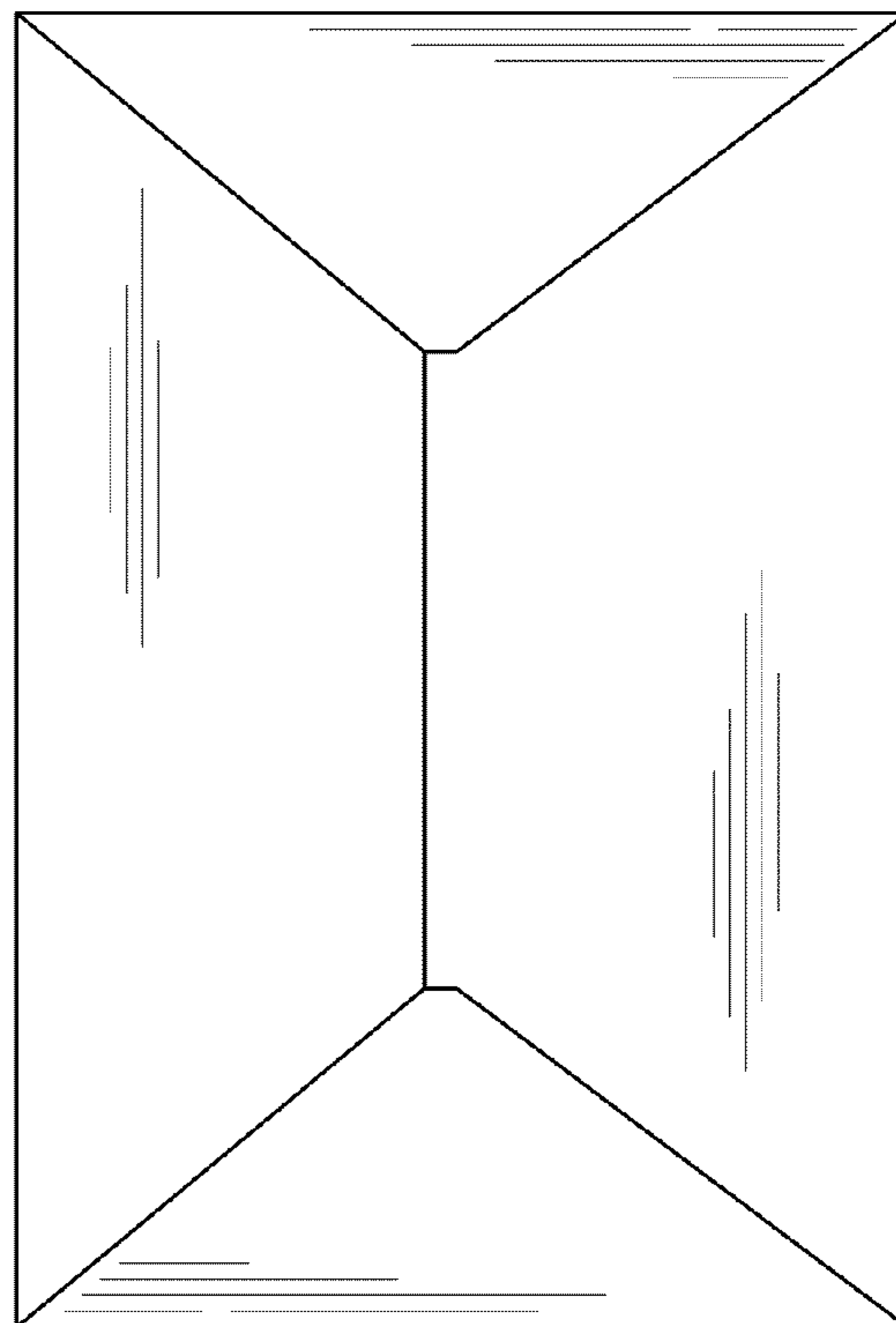


FIG. 7

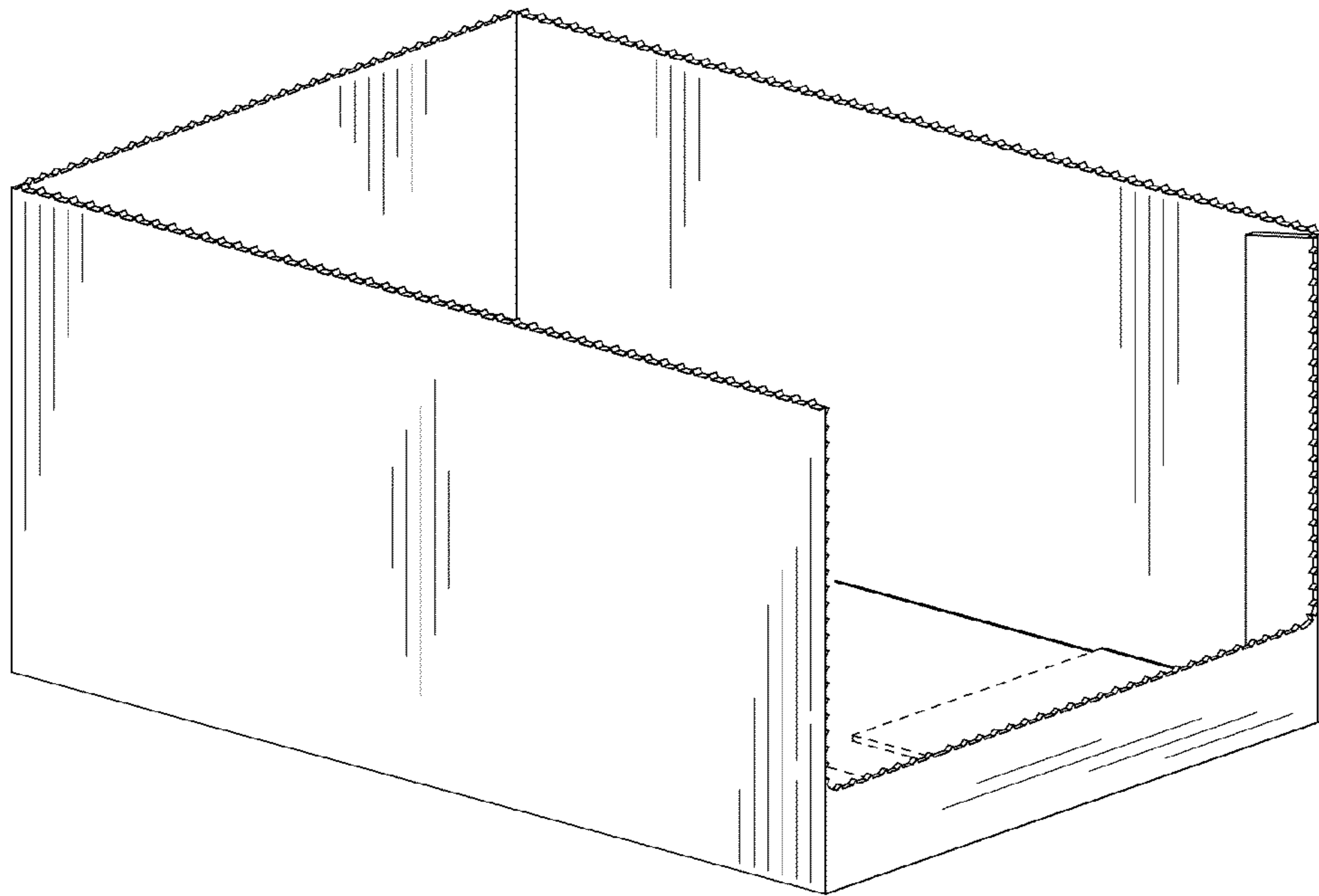


FIG. 8

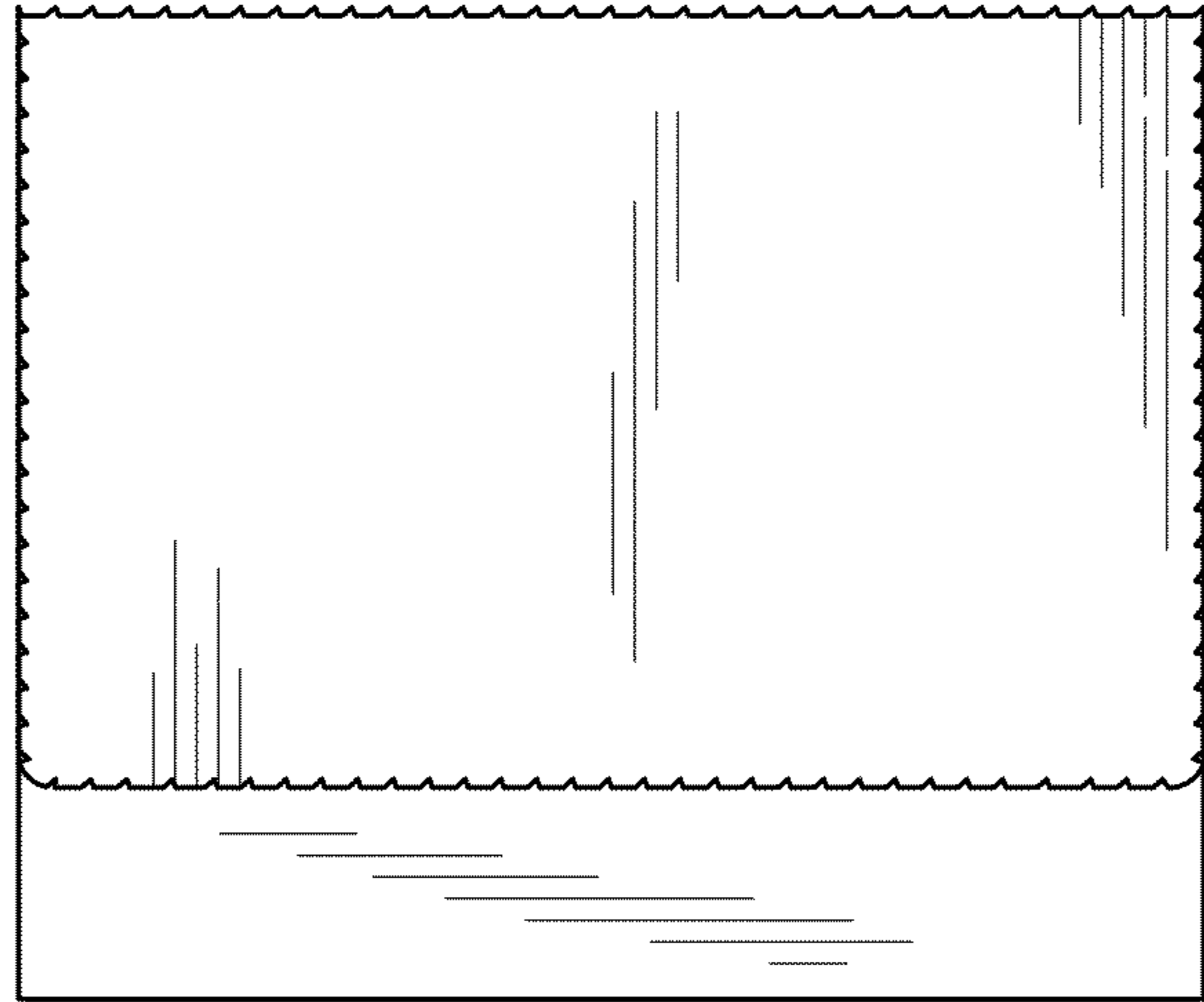


FIG. 9

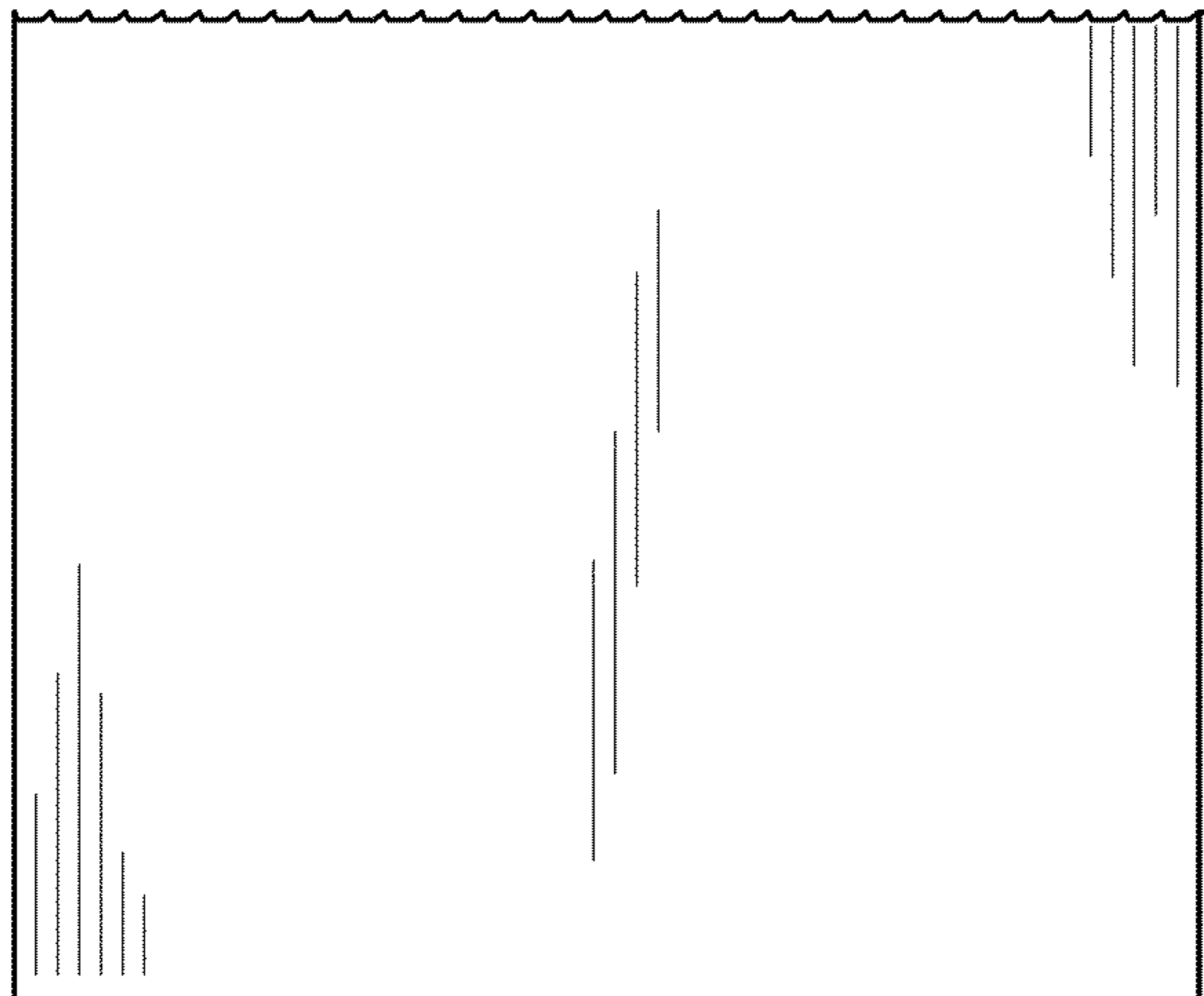


FIG. 10

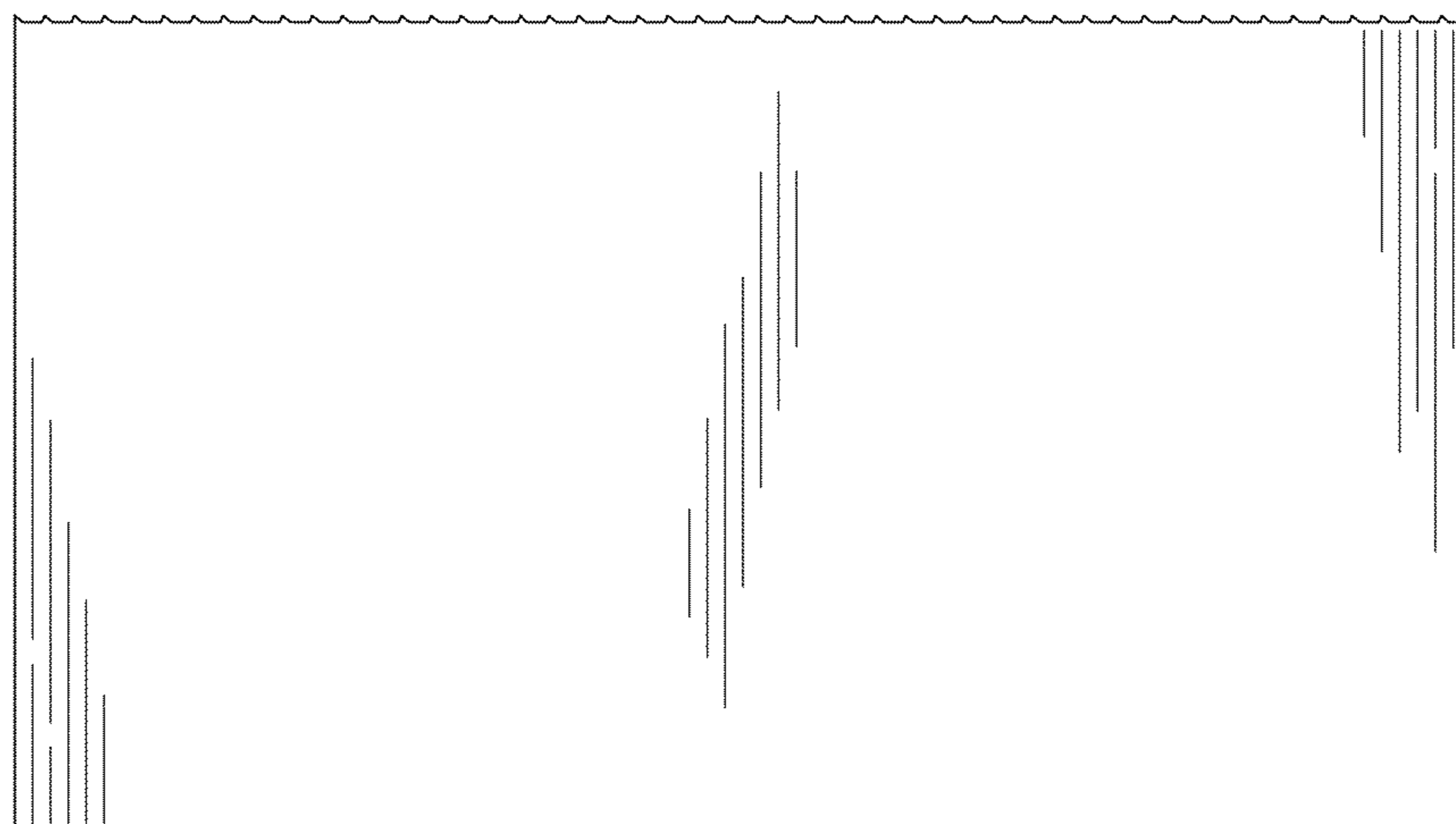


FIG. 11

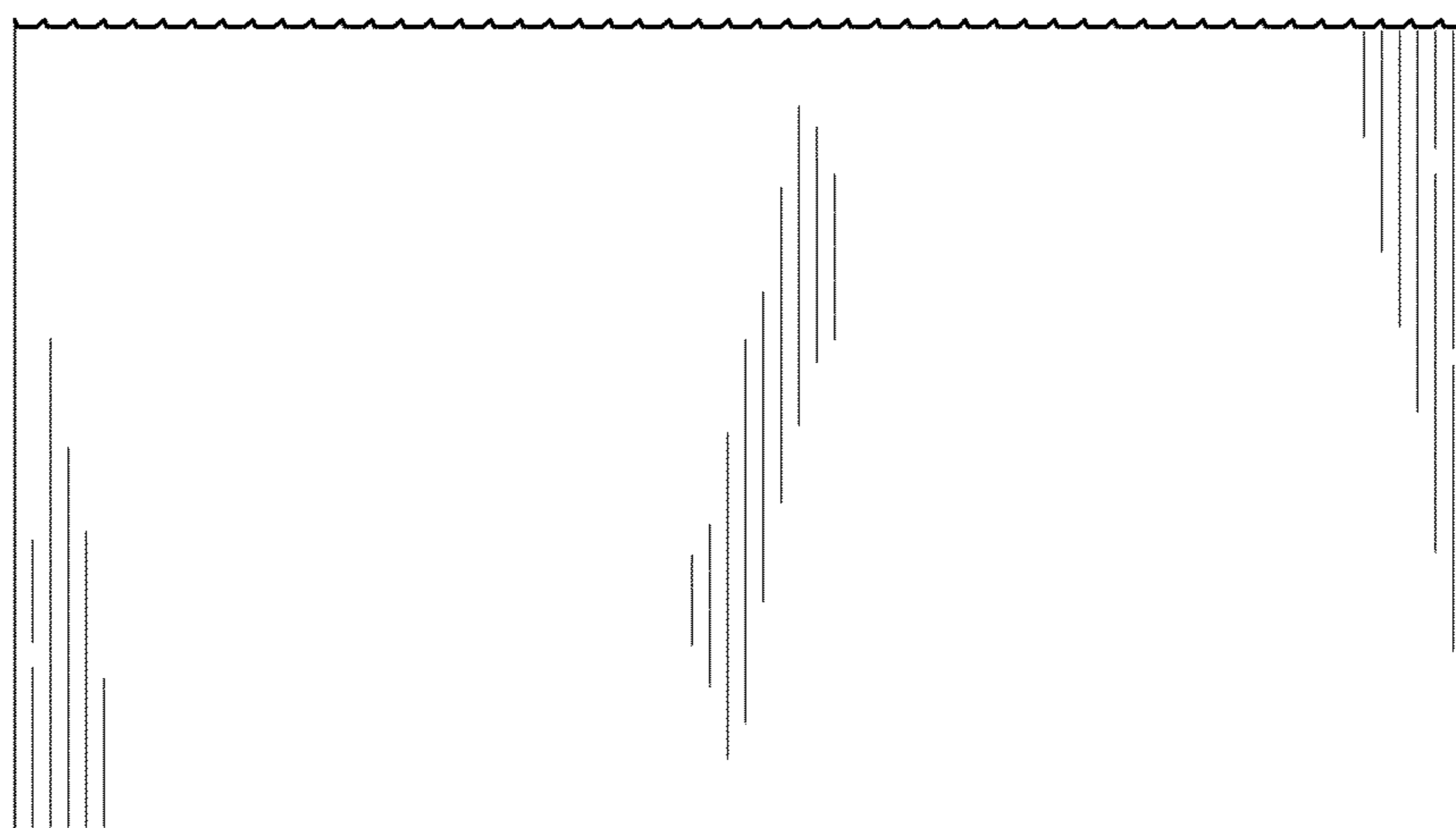


FIG. 12

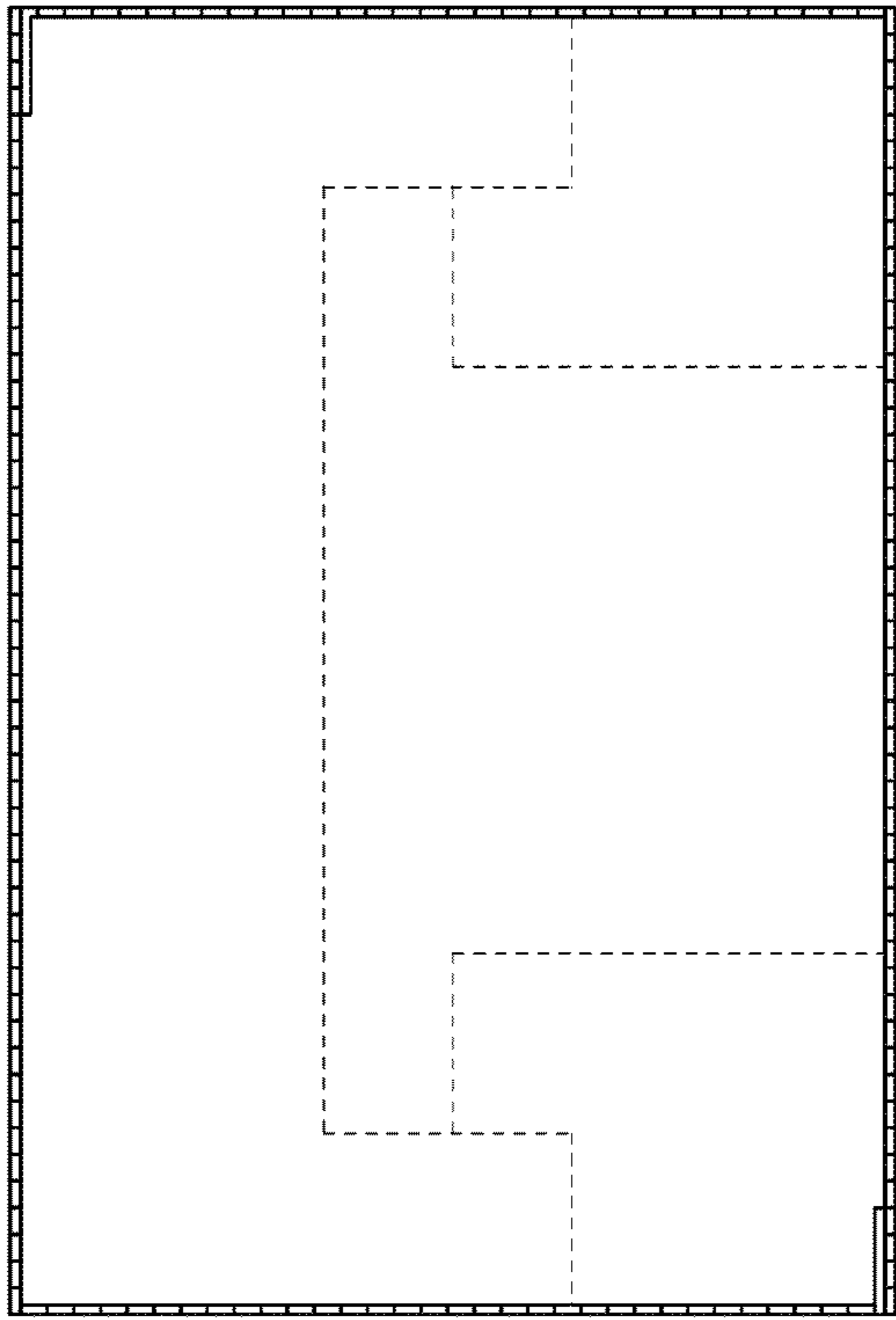


FIG. 13

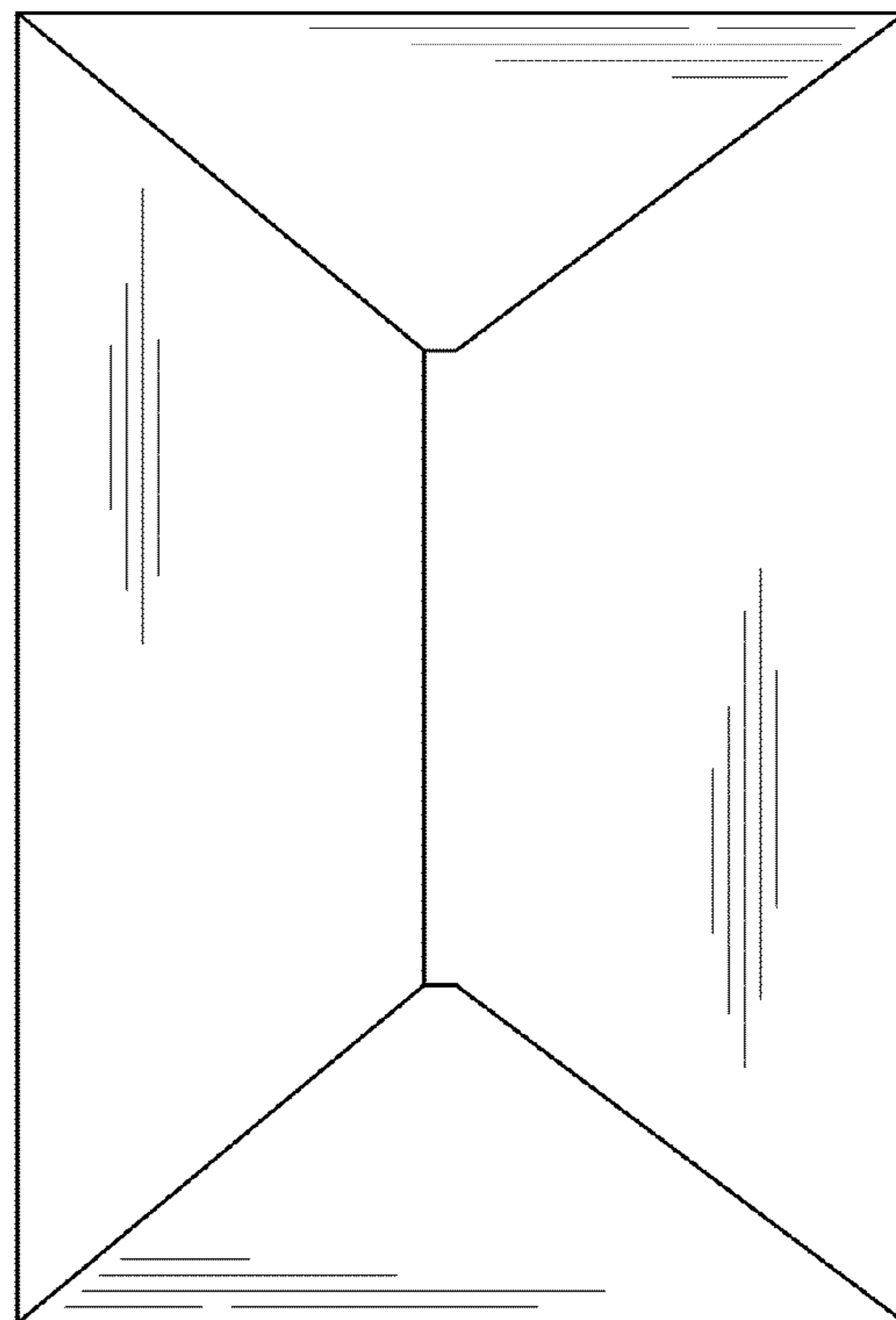


FIG. 14