



US00D747185S

(12) **United States Design Patent**
Roesler

(10) **Patent No.:** **US D747,185 S**
(45) **Date of Patent:** **** Jan. 12, 2016**

- (54) **PACKAGE WITH DISPLAY CAPS**
- (71) Applicant: **Peter Roesler**, Wangen (DE)
- (72) Inventor: **Peter Roesler**, Wangen (DE)
- (73) Assignee: **Rose Plastic AG** (DE)
- (**) Term: **14 Years**
- (21) Appl. No.: **29/502,413**
- (22) Filed: **Sep. 16, 2014**
- (51) **LOC (10) Cl.** **09-03**
- (52) **U.S. Cl.**
USPC **D9/415**
- (58) **Field of Classification Search**
USPC D9/414, 415, 418, 729, 430, 432, 443;
D3/203.2, 298, 293; D7/629; D6/515;
215/318; 206/349; 220/780, 212
CPC B65D 21/086; B65D 25/103; B65D 25/14;
B65D 85/20; B65D 59/08
See application file for complete search history.

D652,204	S	*	1/2012	Lindqvist	D3/203.2
D657,561	S	*	4/2012	Roesler	D3/298
D682,090	S	*	5/2013	Scatterday	D9/430
D685,233	S	*	7/2013	Wong	D7/629
D699,102	S	*	2/2014	Roesler	D9/418
D710,194	S	*	8/2014	Roesler	D9/432
2008/0185305	A1	*	8/2008	Roesler	B65D 85/20 206/349
2010/0193533	A1	*	8/2010	Roesler	B65D 59/08 220/780
2013/0062234	A1	*	3/2013	Roesler	B65D 21/086 206/349
2013/0068645	A1	*	3/2013	Roesler	B65D 25/103 206/349
2015/0076149	A1	*	3/2015	Roesler	B65D 25/14 220/212

* cited by examiner

Primary Examiner — Holly Baynham
Assistant Examiner — Rhea Shields
(74) *Attorney, Agent, or Firm* — Cohen & Grigsby, PC

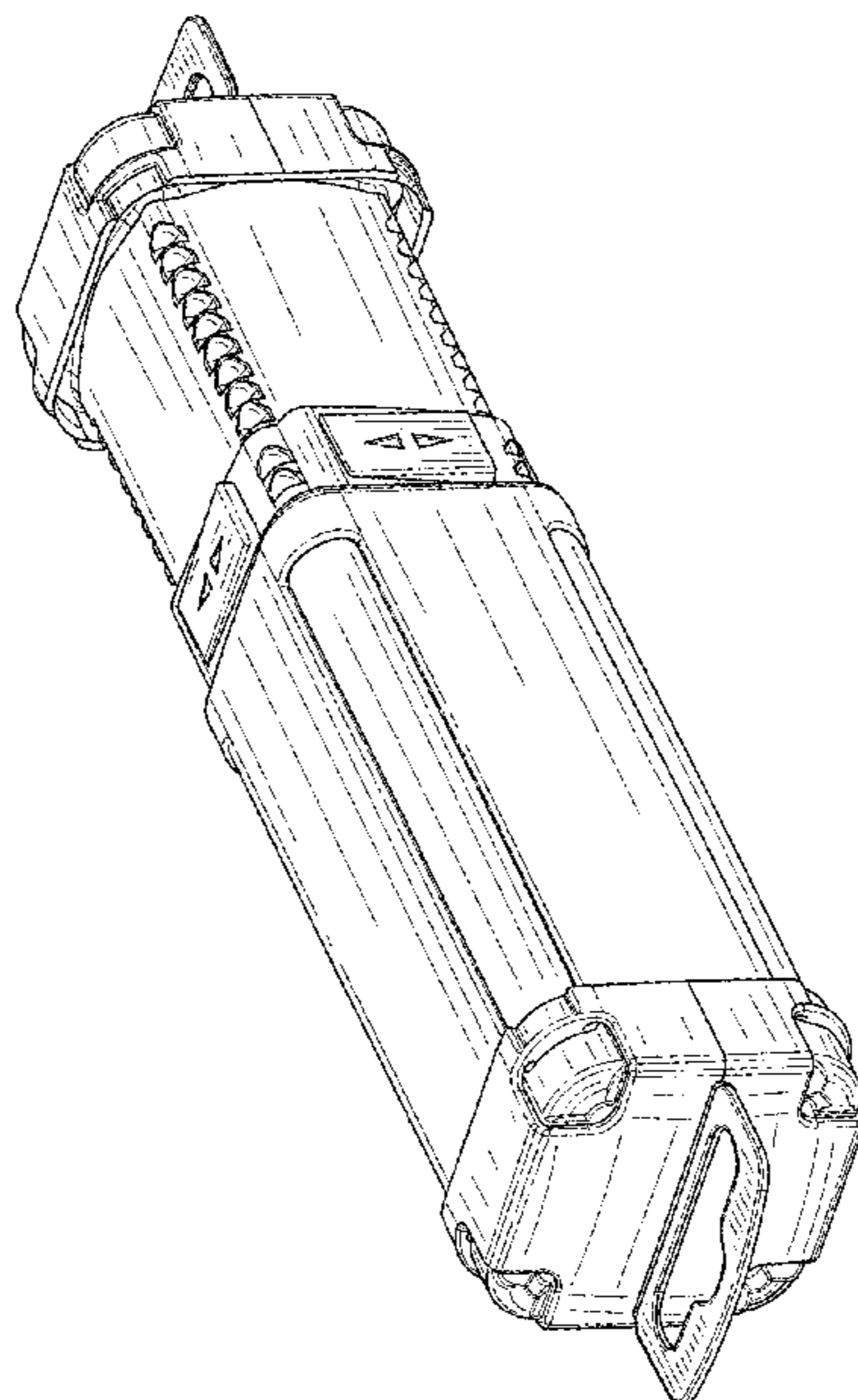
(57) **CLAIM**
An ornamental design for a package with display caps, as shown and described in the drawings.

DESCRIPTION

FIG. 1 is a perspective view of the package with display caps. FIG. 2 is a top plan view of the package with display caps. FIG. 3 is a bottom plan view of the package with display caps. FIG. 4 is a right side elevation view of the package with display caps. FIG. 5 is a left side elevation view of the package with display caps. FIG. 6 is a front elevation view of the package with display caps; and, FIG. 7 is a rear elevation view of the package with display caps.

1 Claim, 6 Drawing Sheets

- (56) **References Cited**
U.S. PATENT DOCUMENTS
- 5,680,949 A * 10/1997 Roesler B65D 21/086
215/318
- D424,850 S * 5/2000 Handfield D6/515
- D426,150 S * 6/2000 Izumi D9/415
- D541,046 S * 4/2007 Roesler D3/293
- D575,146 S * 8/2008 Lee D9/415
- D588,906 S * 3/2009 Aizawa D9/414
- D603,253 S * 11/2009 Cote D9/414
- D626,847 S * 11/2010 Roesler D9/443
- D646,985 S * 10/2011 Roesler D9/414
- D646,986 S * 10/2011 Roesler D9/414
- D646,987 S * 10/2011 Roesler D9/414
- D651,523 S * 1/2012 Rushe D9/729



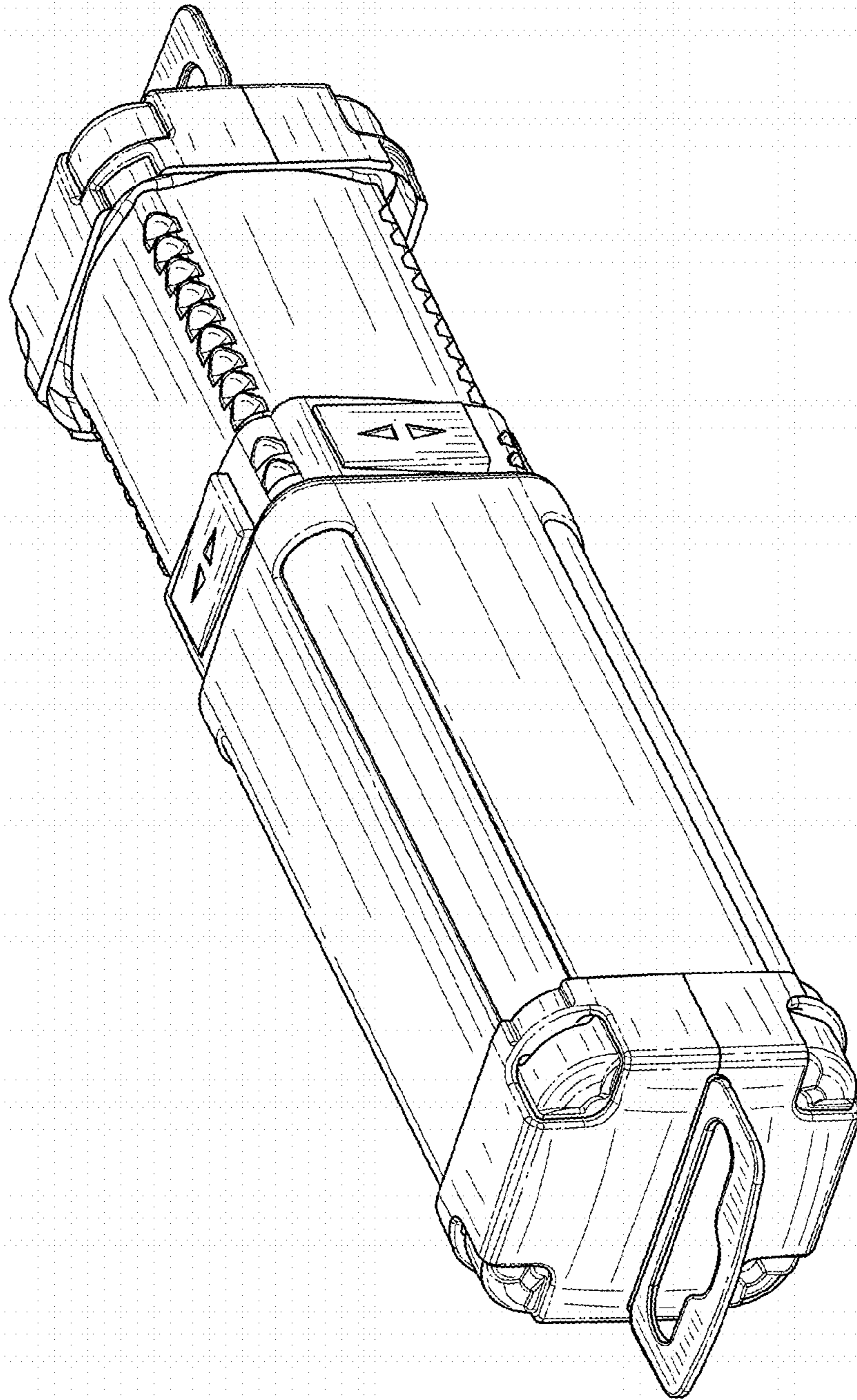


FIG. 1

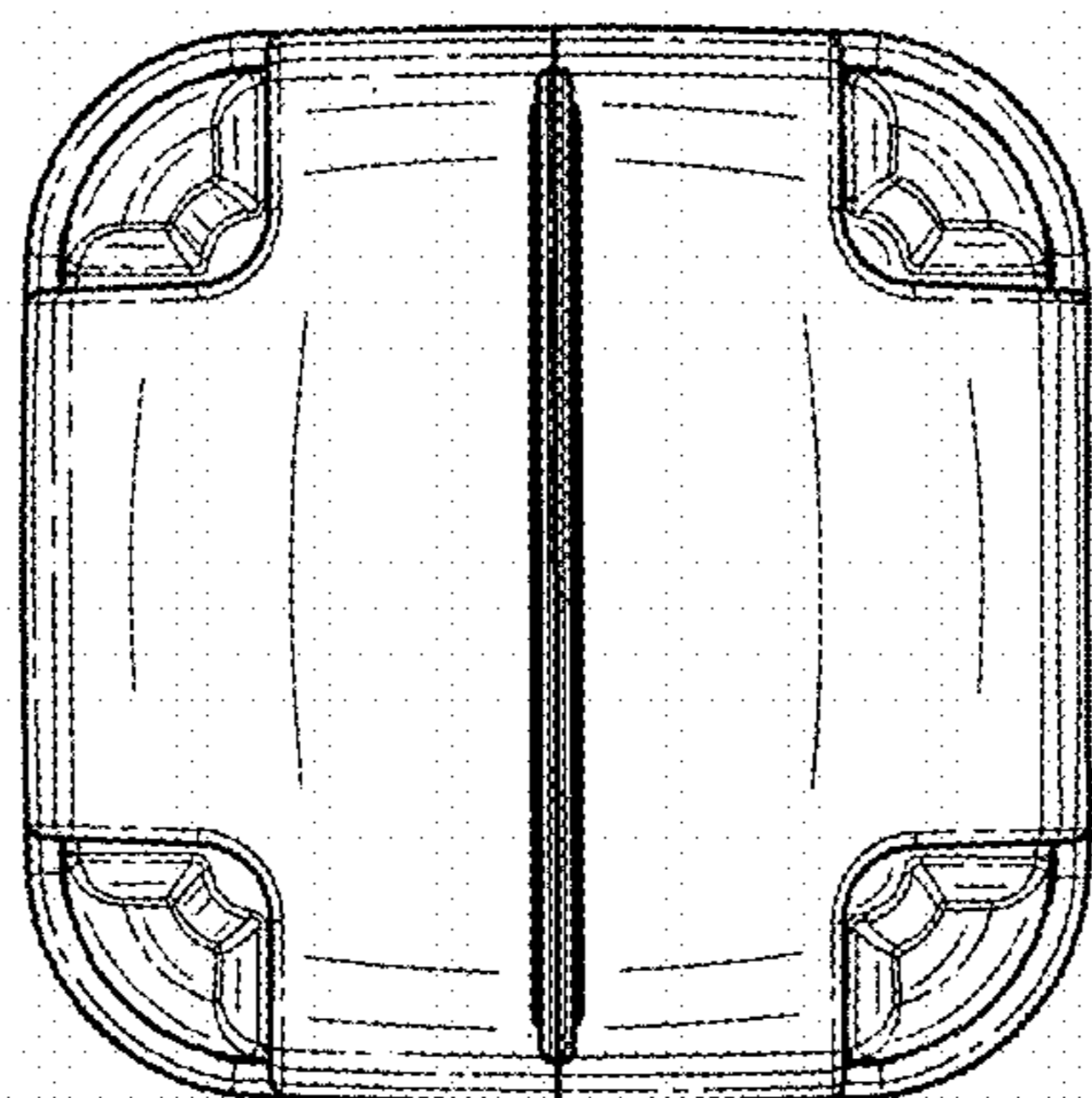


FIG. 2

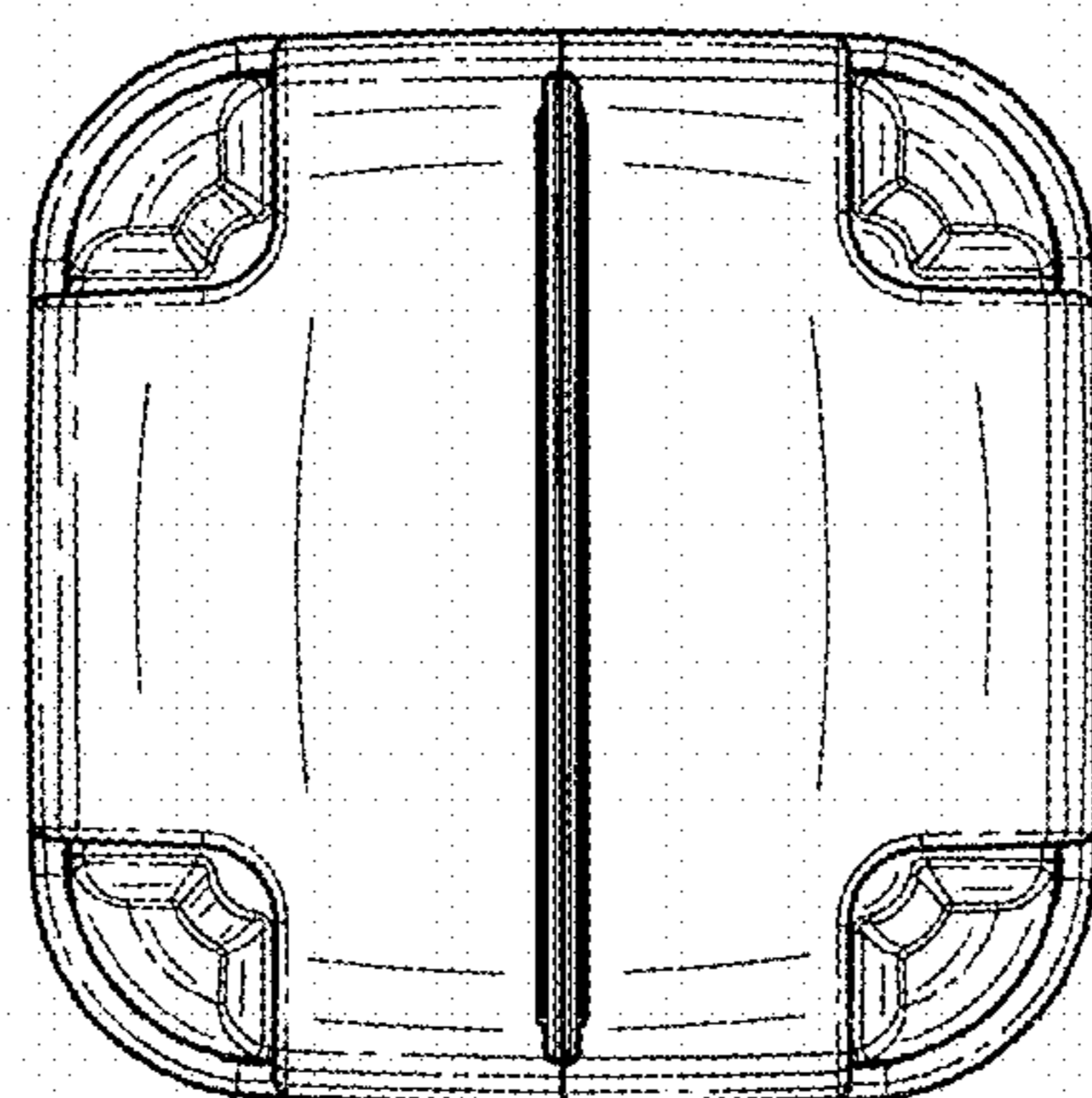


FIG. 3

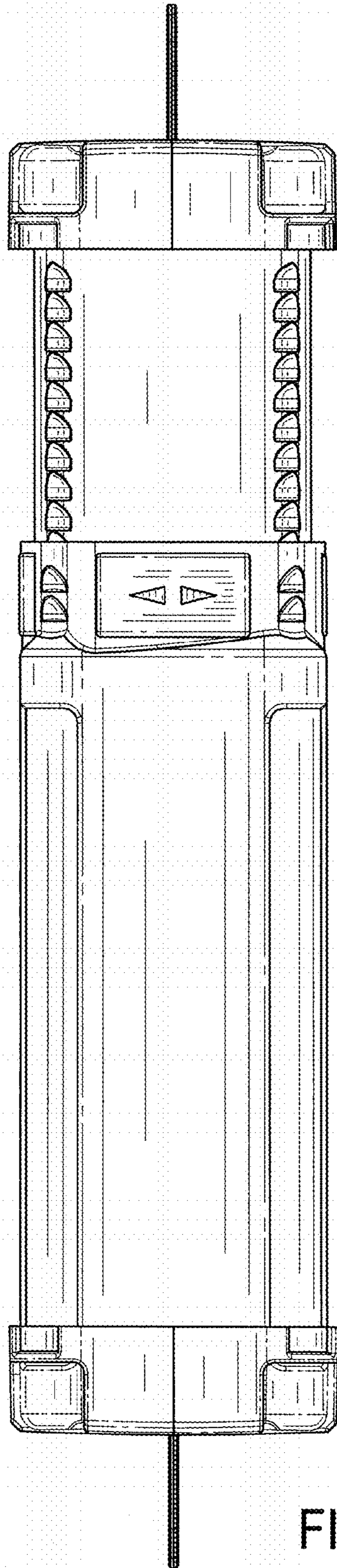


FIG. 4

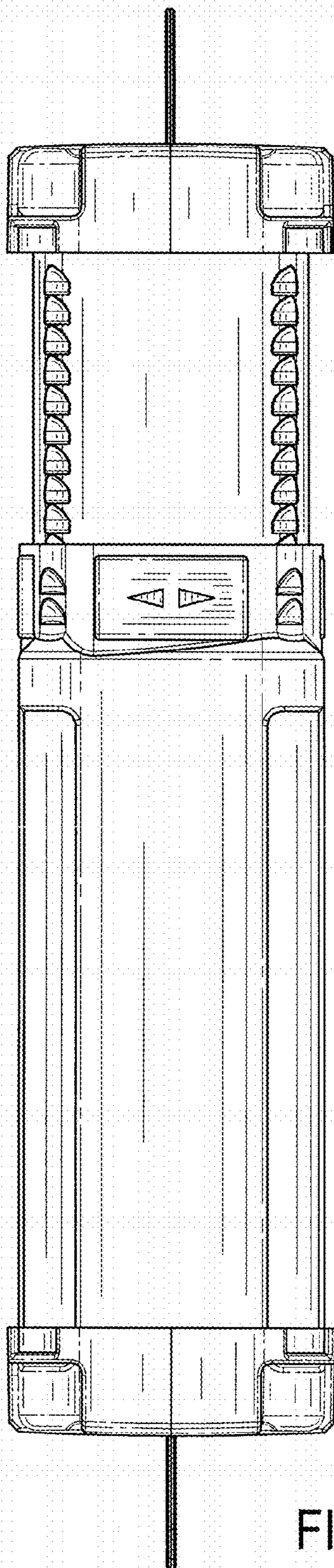


FIG. 5

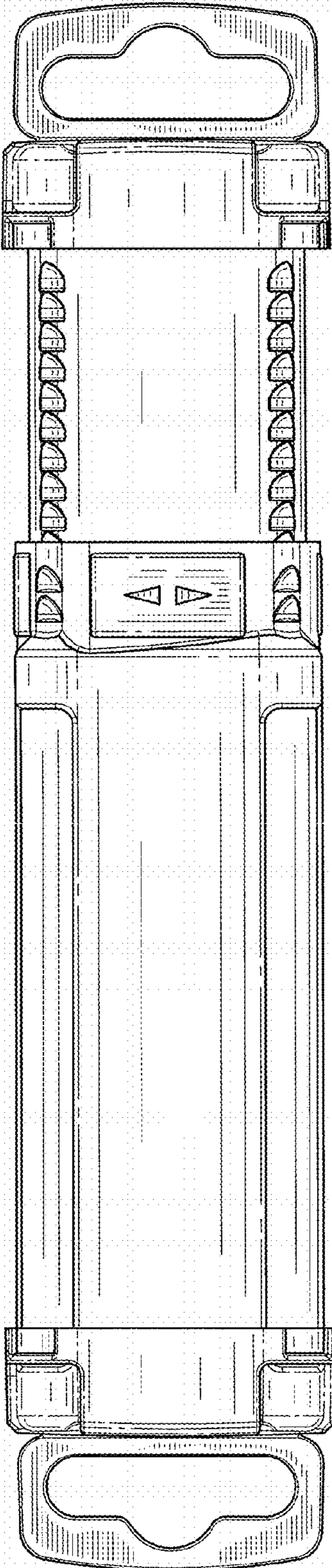


FIG. 6

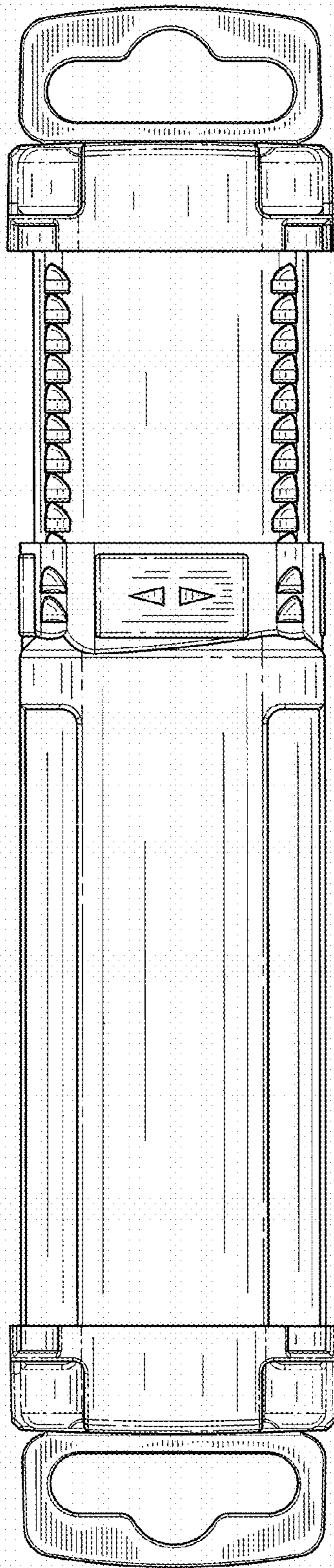


FIG. 7