



US00D747184S

(12) **United States Design Patent**
Murray et al.

(10) **Patent No.:** **US D747,184 S**
(45) **Date of Patent:** **** Jan. 12, 2016**

(54) **COMPACT CATHETER PACKAGE**

(71) Applicant: **Hollister Incorporated**, Libertyville, IL (US)

(72) Inventors: **Michael G. Murray**, Ballina (IE); **Scott Allen**, Frederiksberg (DK); **Adam J. Foley**, Ballina (IE)

(73) Assignee: **Hollister Incorporated**, Libertyville, IL (US)

(**) Term: **14 Years**

(21) Appl. No.: **29/449,233**

(22) Filed: **Mar. 14, 2013**

(51) **LOC (10) Cl.** **09-03**

(52) **U.S. Cl.**
USPC **D9/414**

(58) **Field of Classification Search**

USPC D9/414, 415, 417, 420, 428, 521, 504, D9/430, 715, 722, 529, 723, 724, 725; 206/364; D28/85, 7, 76; 604/163, 540, 604/544; 53/413; D3/203.2, 301; D24/112

CPC A61M 25/002; A61M 25/0111; A61M 27/00; A61M 25/0017; B65B 29/04

See application file for complete search history.

(56) **References Cited**

U.S. PATENT DOCUMENTS

3,967,728 A * 7/1976 Gordon et al. 206/364
4,126,133 A 11/1978 Schwartz
4,311,136 A 1/1982 Weigl et al.
4,754,877 A * 7/1988 Johansson et al. 206/364
D303,302 S * 9/1989 McCreedy D28/85
D304,095 S * 10/1989 Gavin D28/7
5,131,537 A * 7/1992 Gonzalez 206/364
5,165,540 A * 11/1992 Forney 206/364
5,353,929 A * 10/1994 Foster 206/364
5,370,624 A 12/1994 Edwards et al.
5,501,341 A * 3/1996 Van Es 206/364

5,653,700 A 8/1997 Byrne et al.
5,895,374 A * 4/1999 Rødsten 604/163
D439,705 S * 3/2001 Lerolle D28/76
D440,015 S * 4/2001 Lerolle D28/76

(Continued)

FOREIGN PATENT DOCUMENTS

EP 0699086 B1 7/1997
GB 2150836 A 7/1985

(Continued)

Primary Examiner — Holly Baynham

Assistant Examiner — Rhea Shields

(74) *Attorney, Agent, or Firm* — Cook Alex Ltd.

(57) **CLAIM**

The ornamental design for a compact catheter package, as shown and described.

DESCRIPTION

FIG. 1 is a perspective view of a first embodiment of a compact catheter package, showing the new design;

FIG. 2 is a front elevational view thereof;

FIG. 3 is a top plan view thereof;

FIG. 4 is a bottom plan view thereof;

FIG. 5 is right side elevational view thereof. The left side elevational view being a mirror image thereof;

FIG. 6 is a back elevational view thereof;

FIG. 7 is a perspective view of a second embodiment of a compact catheter package, showing the new design;

FIG. 8 is a front elevational view thereof;

FIG. 9 is a top plan view thereof;

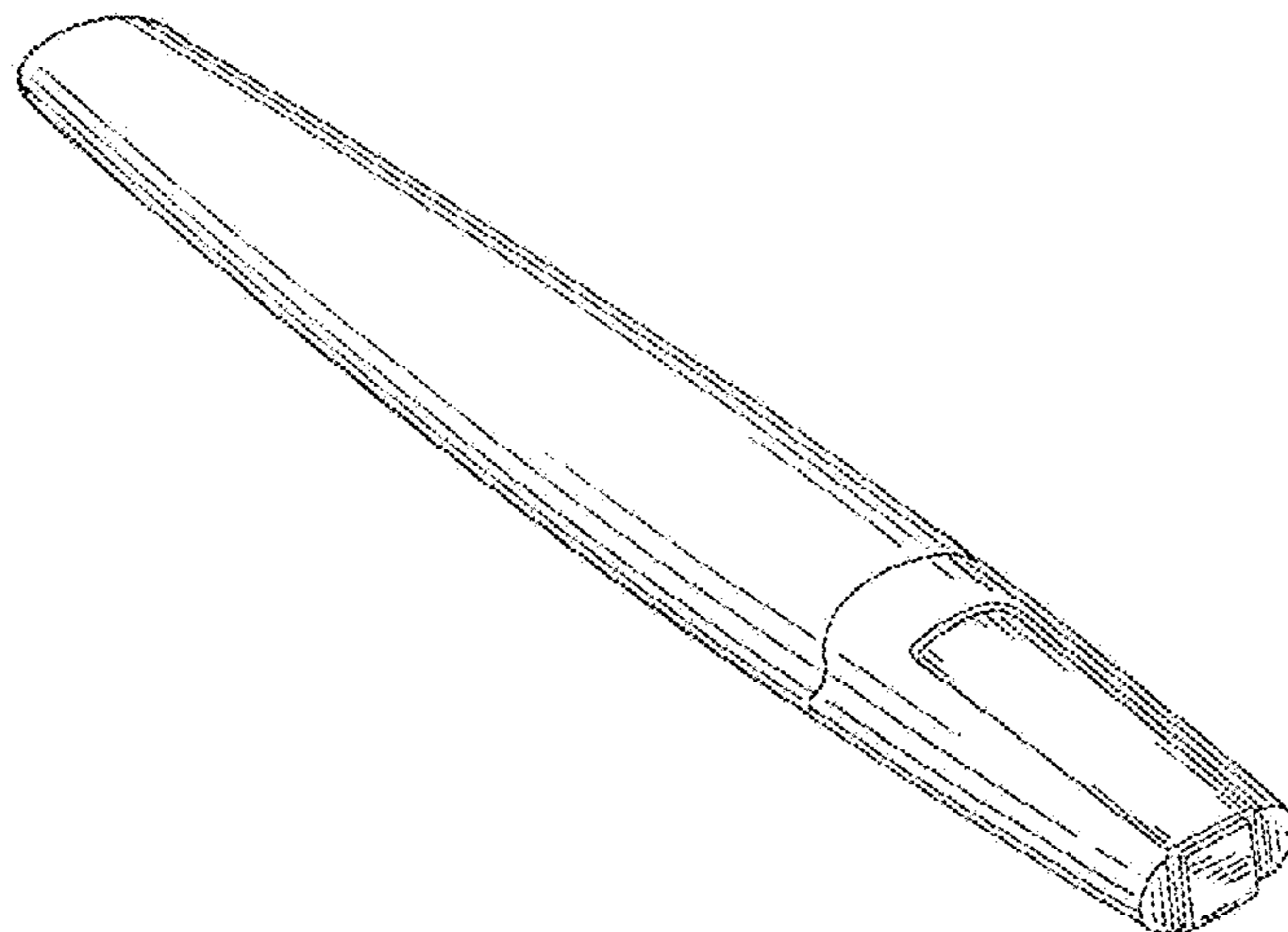
FIG. 10 is a bottom plan view thereof;

FIG. 11 is right side elevational view thereof. The left side elevational view being a mirror image thereof; and,

FIG. 12 is a back elevational view thereof.

In the drawings, the broken lines are for the purpose of illustrating environment only and form no part of the claimed design.

1 Claim, 2 Drawing Sheets



(56)

References Cited

U.S. PATENT DOCUMENTS

D445,338 S * 7/2001 Helleu D9/521
 D450,591 S * 11/2001 Escola Gallart et al. D9/504
 D450,888 S * 11/2001 Breidenbach et al. D28/76
 D453,589 S * 2/2002 Breidenbach et al. D28/76
 6,368,317 B2 4/2002 Chang
 6,415,921 B2 * 7/2002 Ye et al. 206/364
 6,419,699 B1 7/2002 Schuessler
 D462,267 S * 9/2002 Kostow D9/430
 6,578,709 B1 * 6/2003 Kavanagh et al. 206/364
 6,579,267 B2 6/2003 Lynch et al.
 6,594,971 B1 * 7/2003 Addy et al. 53/413
 6,689,142 B1 2/2004 Tremaglio, Jr. et al.
 D491,803 S * 6/2004 Nestenborg D9/414
 D496,266 S * 9/2004 Nestenborg D9/415
 D497,806 S * 11/2004 Nichols et al. D9/428
 D497,807 S * 11/2004 Nichols et al. D3/203.2
 D498,672 S * 11/2004 Nestenborg D9/415
 D499,016 S * 11/2004 Nestenborg D9/414
 D499,017 S * 11/2004 Nestenborg D9/715
 D499,335 S * 12/2004 Nestenborg D9/722
 D499,643 S * 12/2004 Nestenborg D9/715
 6,849,070 B1 * 2/2005 Hansen et al. 604/544
 D502,391 S * 3/2005 Nichols et al. D9/417
 D502,399 S * 3/2005 Karim D9/521
 D503,335 S * 3/2005 Risberg et al. D9/415
 D505,067 S * 5/2005 Nestenborg D9/722
 D513,977 S * 1/2006 Nichols et al. D9/417

7,083,597 B2 8/2006 Lynch et al.
 D539,136 S * 3/2007 Limber D3/301
 D539,153 S * 3/2007 Marx et al. D9/529
 7,204,826 B2 4/2007 Tremaglio et al.
 D549,110 S * 8/2007 Gray D9/723
 D551,569 S * 9/2007 Tanaka D9/724
 7,311,698 B2 12/2007 Tanghoj et al.
 7,569,034 B2 8/2009 Lynch et al.
 D610,445 S * 2/2010 Kedem D9/415
 7,682,353 B2 3/2010 Tanghoj et al.
 7,766,878 B2 8/2010 Tremaglio, Jr. et al.
 D630,524 S * 1/2011 van Dullemen et al. D9/725
 7,862,545 B2 1/2011 Lynch et al.
 8,066,693 B2 11/2011 Tanghoj et al.
 D705,925 S * 5/2014 Murray et al. D24/112
 D723,912 S * 3/2015 Shigeno et al. D9/420
 2003/0004496 A1 1/2003 Tanghoj
 2003/0055403 A1 * 3/2003 Nestenborg et al. 604/540
 2003/0168365 A1 * 9/2003 Kaern 206/364
 2004/0116867 A1 6/2004 Sternby
 2006/0142737 A1 6/2006 Tanghoj
 2010/0204682 A1 8/2010 Tanghoj et al.
 2011/0060317 A1 3/2011 Frojd
 2011/0184359 A1 7/2011 Dougherty

FOREIGN PATENT DOCUMENTS

GB 2278285 A 11/1994
 WO WO 03/002179 A2 1/2003

* cited by examiner

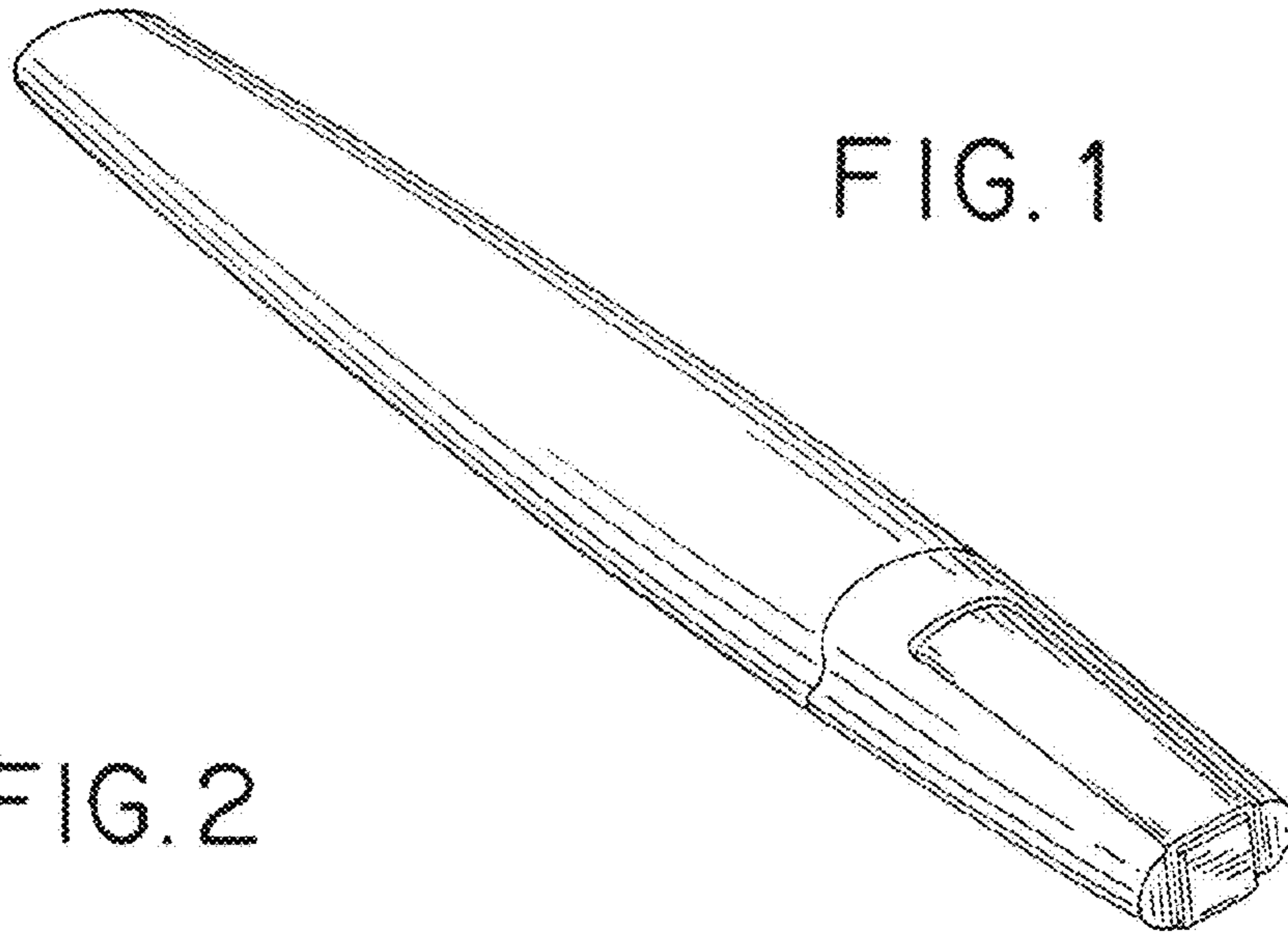


FIG. 1

FIG. 3

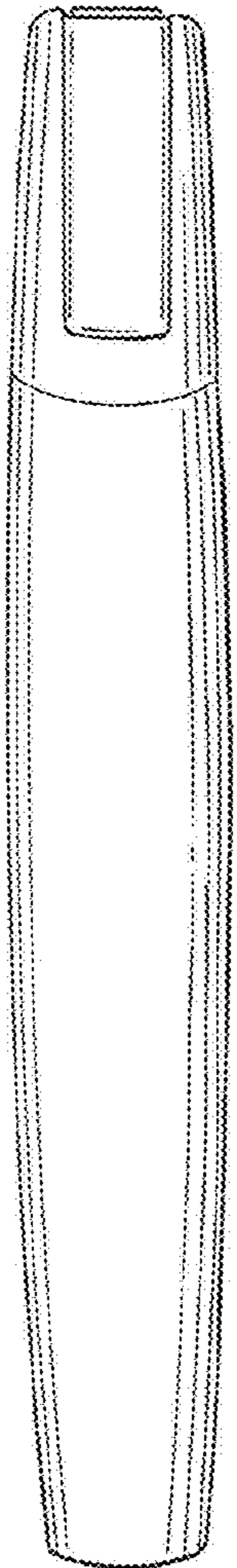
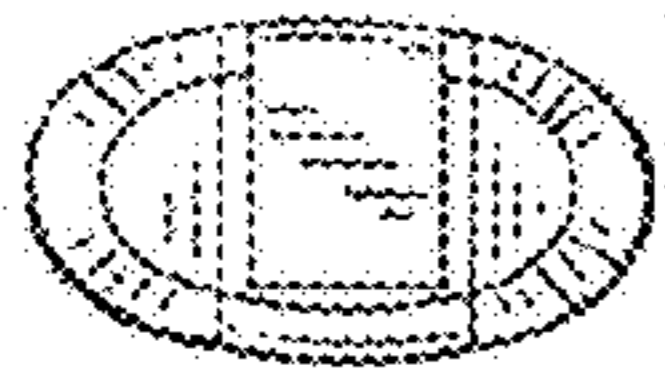


FIG. 2

FIG. 5

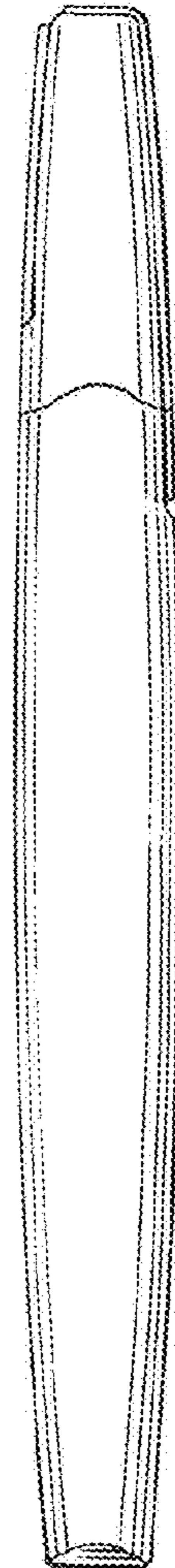


FIG. 6

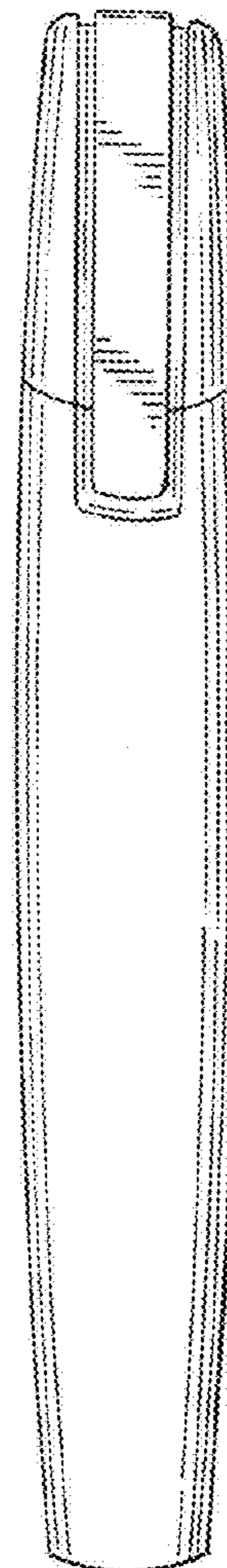
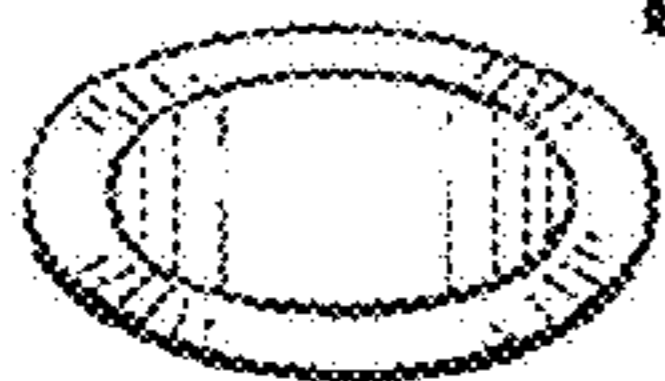


FIG. 4



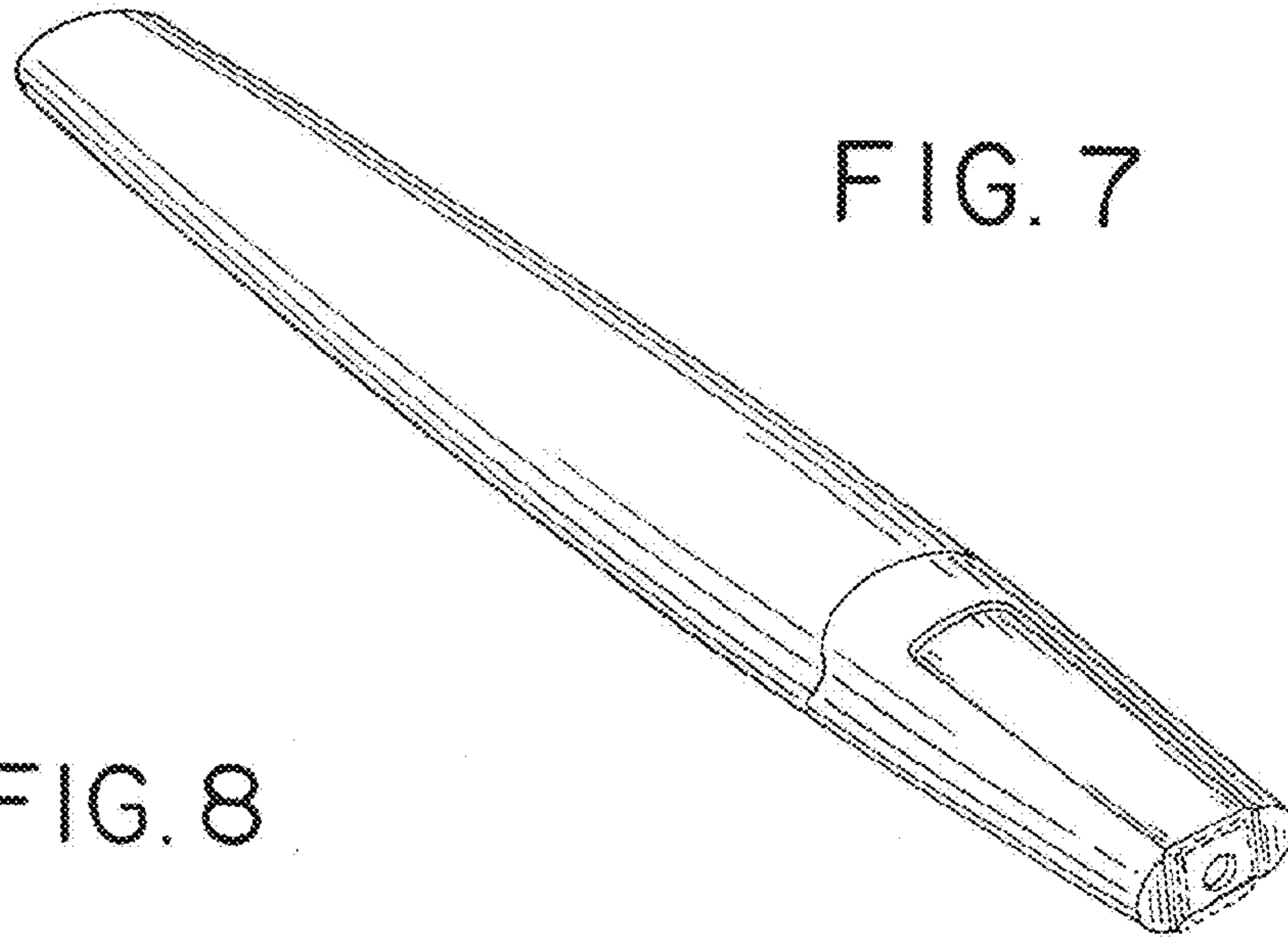


FIG. 7

FIG. 9

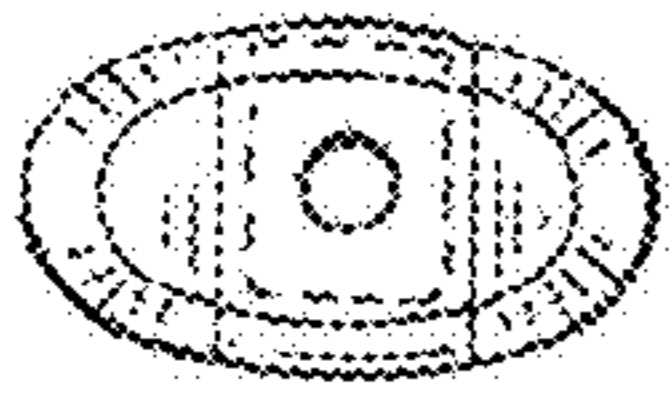


FIG. 8

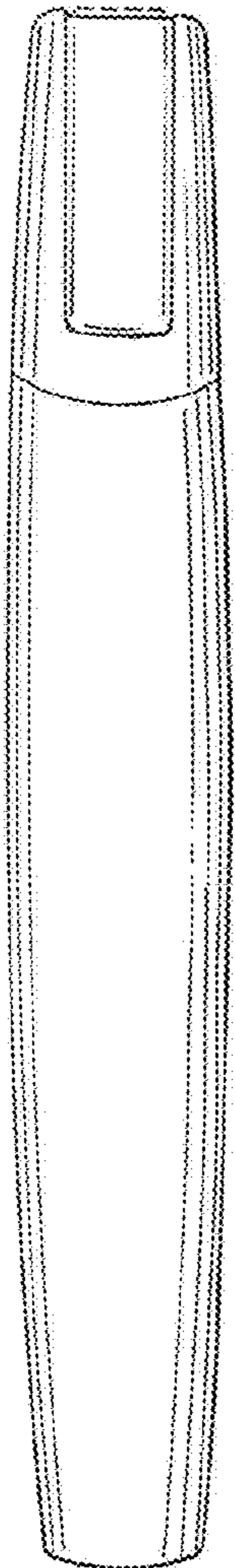


FIG. 11

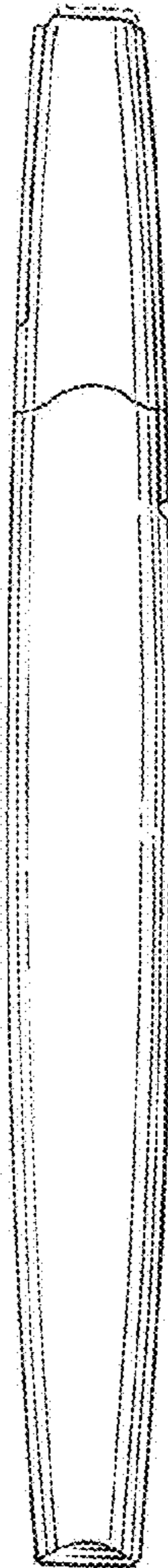


FIG. 12

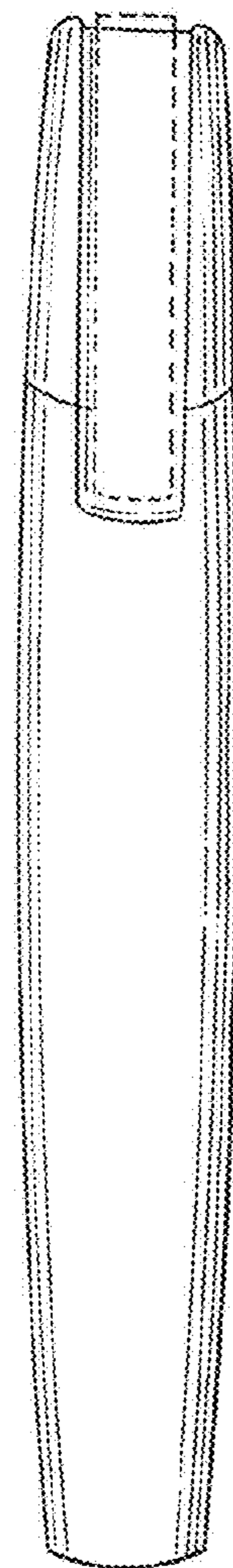


FIG. 10

