



US00D747183S

(12) **United States Design Patent**
Davidson et al.

(10) **Patent No.:** **US D747,183 S**
(45) **Date of Patent:** **** Jan. 12, 2016**

- (54) **RETAINING NUT/RING**
- (71) Applicant: **Graco Minnesota Inc.**, Minneapolis, MN (US)
- (72) Inventors: **Glen W. Davidson**, Roseville, MN (US); **Steve J. Wrobel**, Rogers, MN (US); **Chad R. Taszarek**, Albertville, MN (US); **William M. Blenkush**, Becker, MN (US); **Chris W. Sydow**, Becker, MN (US)
- (73) Assignee: **Graco Minnesota Inc.**, Minneapolis, MN (US)
- (**) Term: **14 Years**
- (21) Appl. No.: **29/513,316**
- (22) Filed: **Dec. 30, 2014**
- (51) **LOC (10) Cl.** **08-08**
- (52) **U.S. Cl.**
USPC **D8/397**
- (58) **Field of Classification Search**
USPC D8/397, 394, 382, 349, 312, 107, 399;
D11/222; D2/869
CPC F16L 19/0206; B60B 3/16; F16B 39/26;
F16B 39/24; F16B 37/02
See application file for complete search history.

D281,953 S *	12/1985	Newman	D8/397
D282,818 S *	3/1986	Bos	D8/382
D390,923 S *	2/1998	Stevens	D23/262
D482,847 S *	12/2003	Lee	D2/869
D494,056 S *	8/2004	Clendenning	D15/29
D520,856 S *	5/2006	Osiecki	D8/312
D532,684 S *	11/2006	Barnes	D8/397
D556,007 S *	11/2007	Hung	D8/107
D568,348 S *	5/2008	Tsui	D15/138
D600,546 S *	9/2009	Scilingo	D8/397
D606,633 S *	12/2009	Price	D23/260
D632,944 S *	2/2011	Kang	D8/312
D702,543 S *	4/2014	Bell	D8/397
D715,902 S *	10/2014	Malaker	D23/262
D717,207 S *	11/2014	Fondas	D11/222
D717,408 S *	11/2014	Malaker	D23/262
D735,076 S *	7/2015	Fondas	D11/222
2012/0117784 A1 *	5/2012	Collin	F16L 19/0206 29/525.02

- (56) **References Cited**
U.S. PATENT DOCUMENTS
2,770,277 A * 11/1956 Poupitch F16B 39/26
411/134
D198,713 S * 7/1964 Curtiss D8/397
3,288,191 A * 11/1966 Thorborg F16B 39/24
411/147
D217,540 S * 5/1970 Weise D8/397
3,608,601 A * 9/1971 Gohs F16B 37/02
411/147
3,679,266 A * 7/1972 Jenkins B60B 3/16
206/347
D243,063 S * 1/1977 Mooney D8/397
D278,883 S * 5/1985 Frieberg D8/399

OTHER PUBLICATIONS

Graco Ultra Max II 695/795/1095 Parts (manual), document 309954E revised Aug. 2005, specifically part #56 on pp. 2, 4 and 6.
Graco 395/455/495st Pro Parts (manual), document 309057H revised Dec. 2011, specifically part #12 on pp. 2, 4, 6 and 8.
Titan 1140i Owners Manual, copyright 2002, specifically knock off nut on p. 11.

* cited by examiner

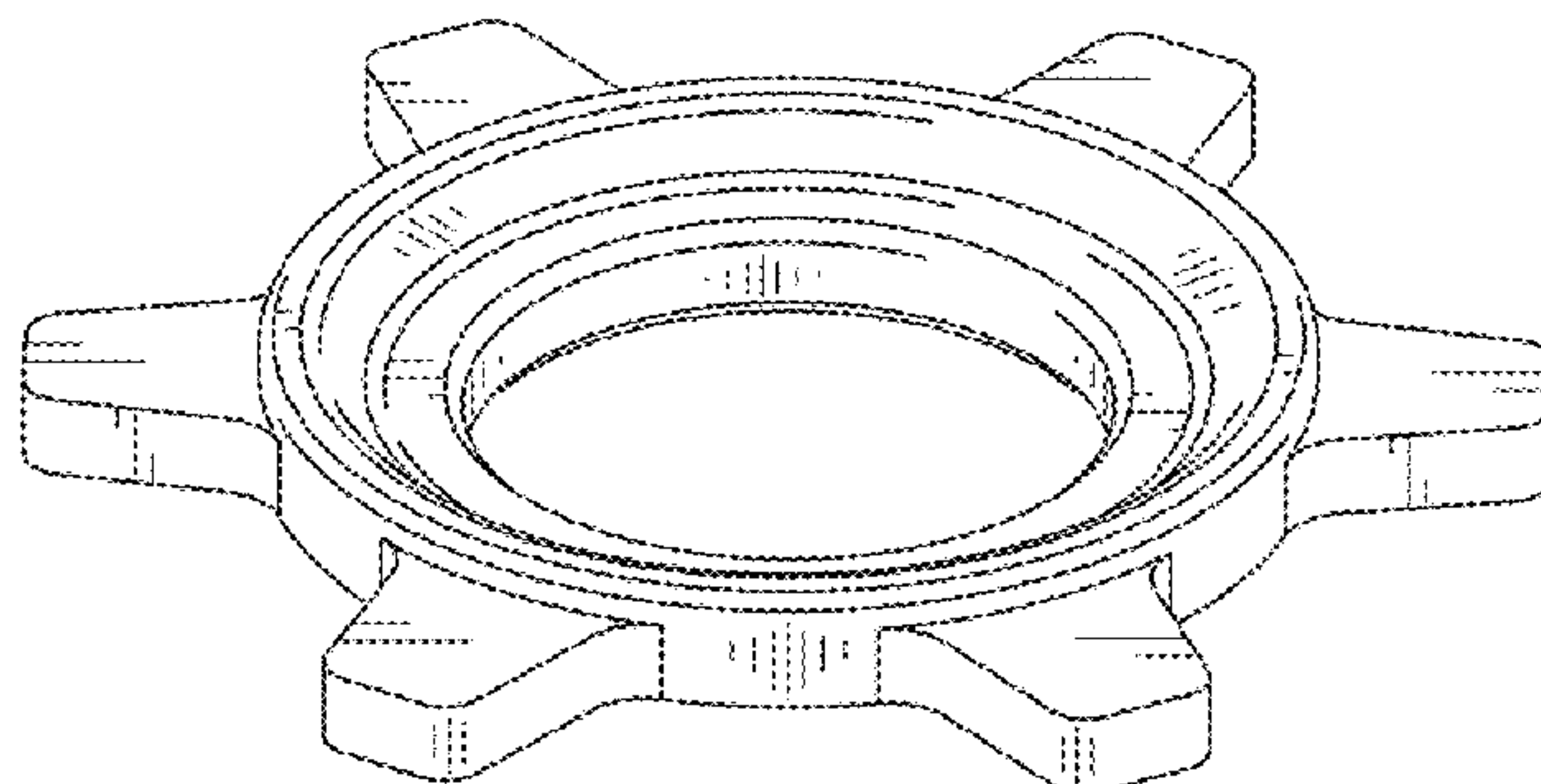
Primary Examiner — Cynthia Underwood
(74) *Attorney, Agent, or Firm* — Douglas B. Farrow

(57) **CLAIM**
The ornamental design for a retaining nut/ring, as shown and described.

DESCRIPTION

FIG. 1 is a top isometric view of a retaining nut/ring;
FIG. 2 is a bottom isometric view thereof,
FIG. 3 is a top view thereof;
FIG. 4 is a side view thereof;
FIG. 5 is a second side view, rotated 30 degrees from FIG. 4 thereof; and,
FIG. 6 is a bottom view of a retaining nut/ring.

1 Claim, 1 Drawing Sheet



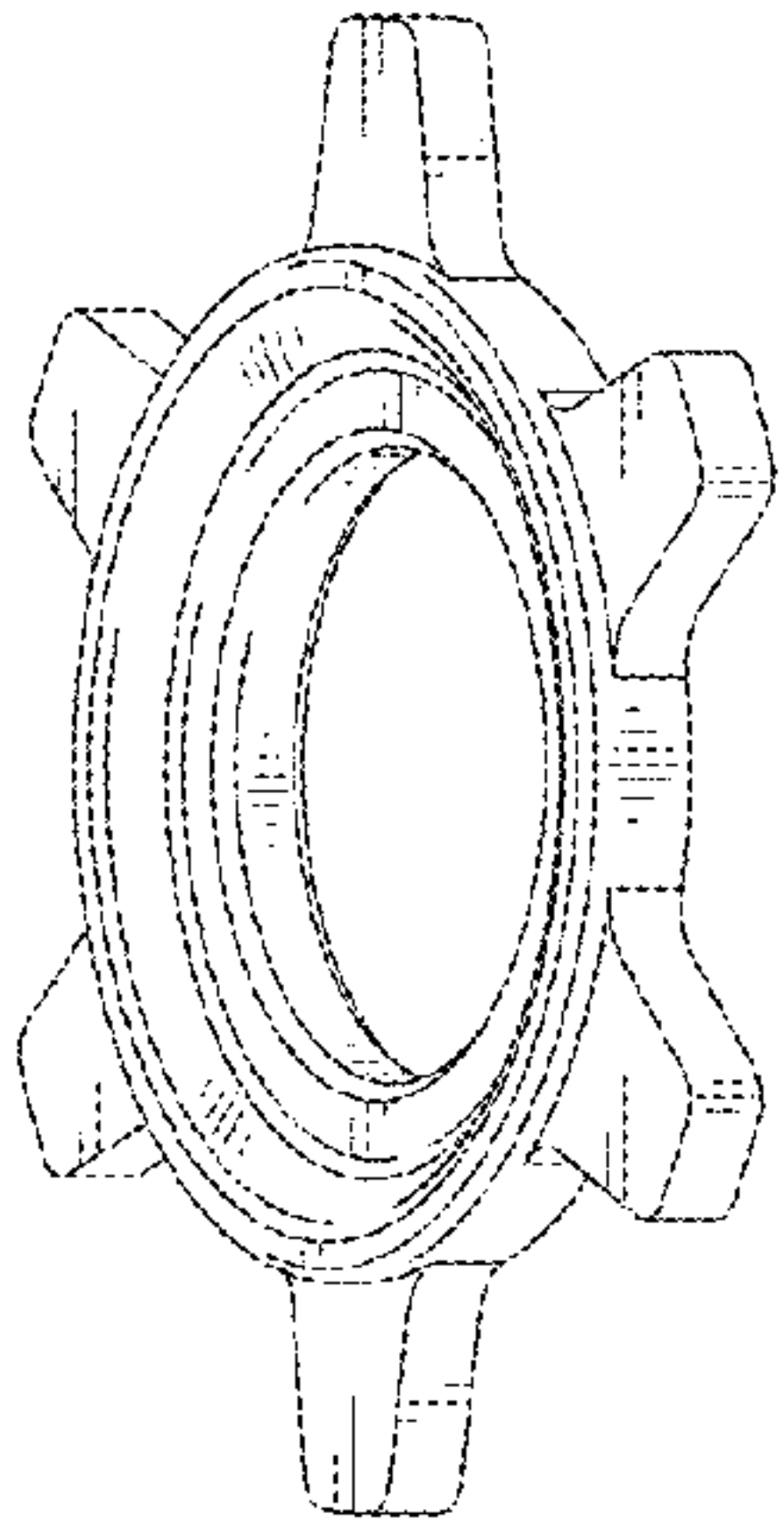


FIG. 1



FIG. 5

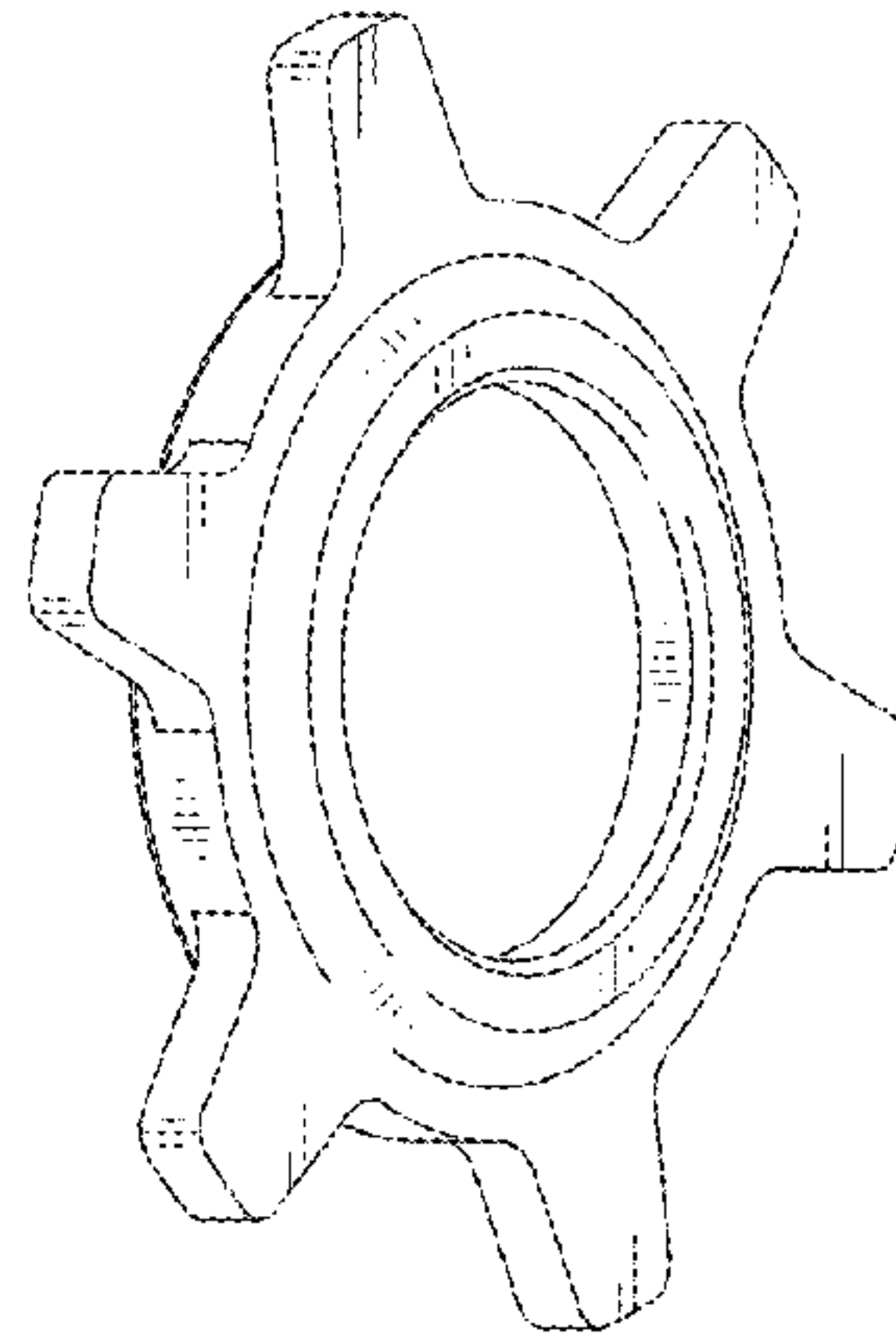


FIG. 2

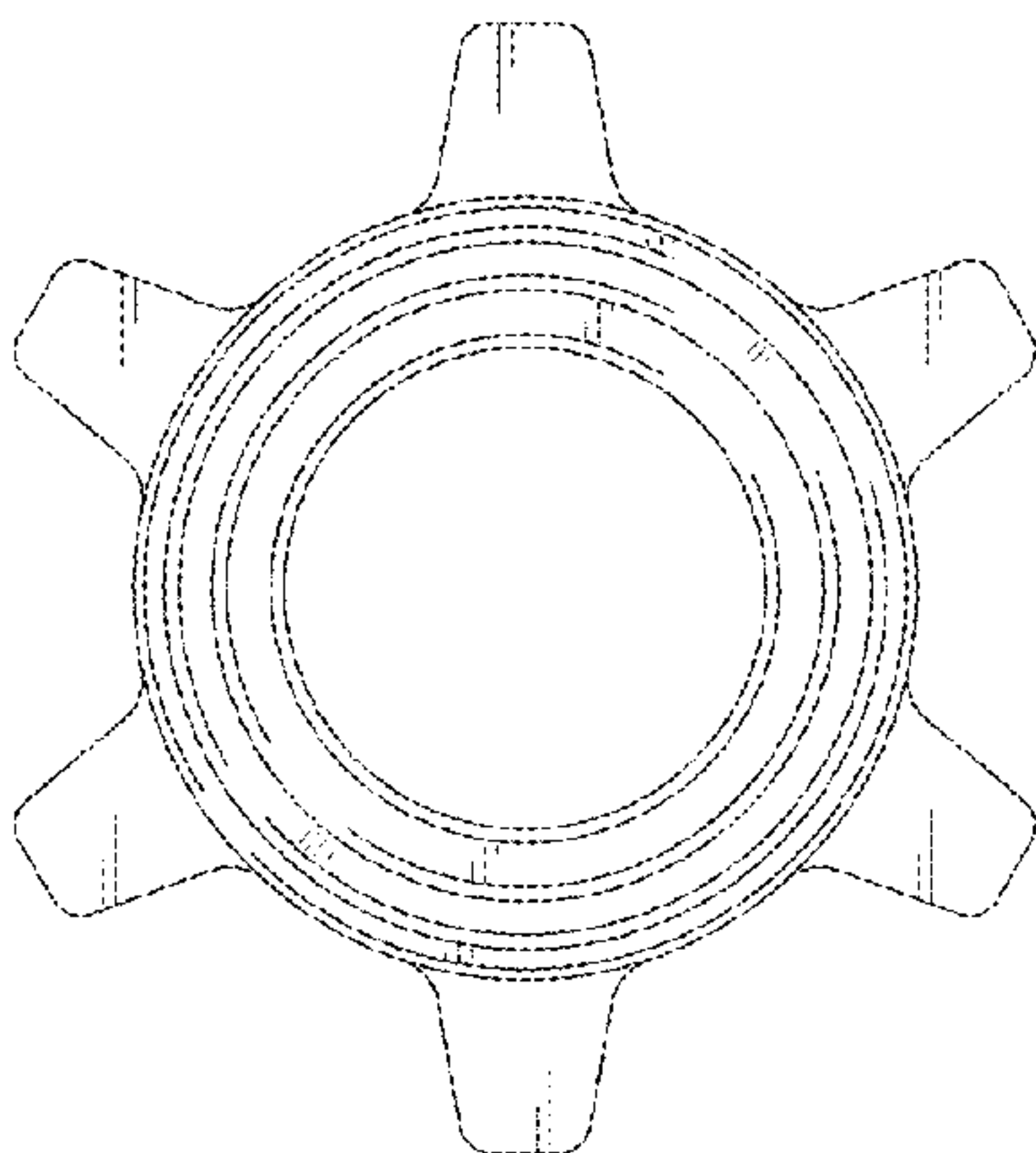


FIG. 3

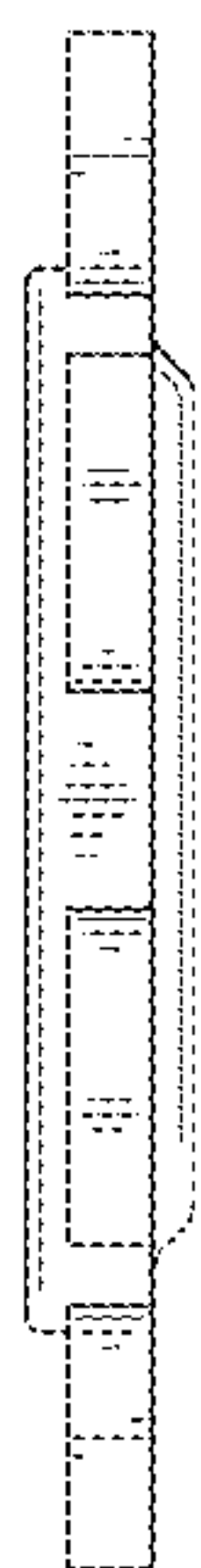


FIG. 4

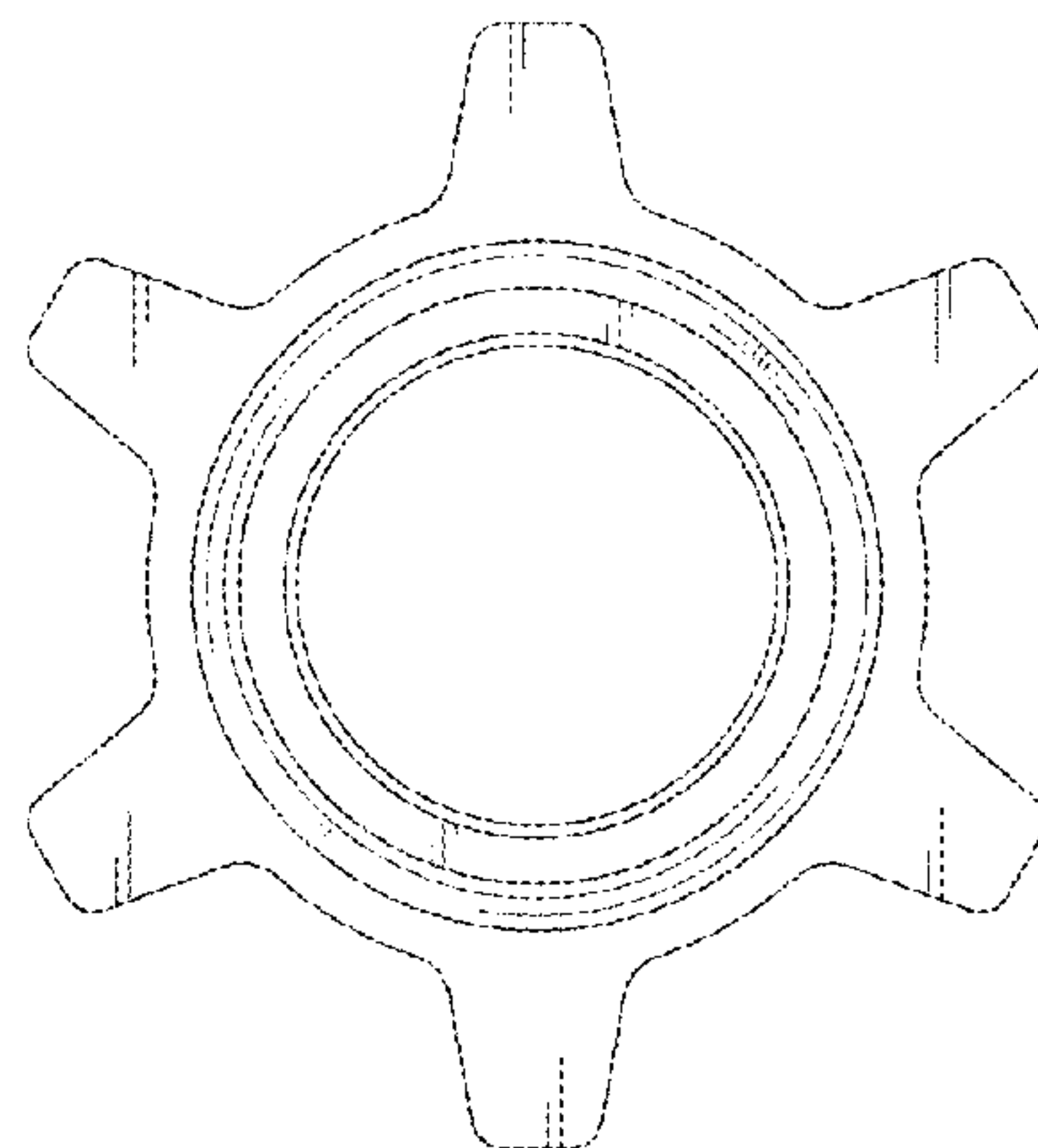


FIG. 6