



US00D747182S

(12) **United States Design Patent**  
**Brickzin et al.**

(10) **Patent No.:** **US D747,182 S**  
(45) **Date of Patent:** **\*\* Jan. 12, 2016**

- (54) **CLAMP**
- (71) Applicant: **Target Brands, Inc.**, Minneapolis, MN (US)
- (72) Inventors: **Robert W. Brickzin**, Brooklyn Park, MN (US); **Scott A. Meyer**, Waconia, MN (US)
- (73) Assignee: **Target Brands, Inc.**, Minneapolis, MN (US)
- (\*\*) Term: **14 Years**
- (21) Appl. No.: **29/487,367**
- (22) Filed: **Apr. 8, 2014**
- (51) **LOC (10) Cl.** ..... **08-08**
- (52) **U.S. Cl.**  
USPC ..... **D8/394; D8/363**
- (58) **Field of Classification Search**  
USPC ..... D8/383, 374, 300, 303, 313, 314, 394, D8/380, 373, 363, 381, 44, 19, 352, 370, D8/308, 372, 376; D13/133; D19/1; D22/108; D12/223  
CPC ..... F16B 12/44; F16B 12/46; F16B 5/0614; F16B 12/02; E04B 1/2612; E04B 2001/2415; E04B 1/5818; E04B 1/5831; A47B 88/0055; E04F 11/1812  
See application file for complete search history.

- D370,171 S \* 5/1996 Emerson ..... D8/354
- 5,524,667 A \* 6/1996 Potter ..... F16L 3/18 137/343
- 5,529,272 A 6/1996 Baublitz, Sr.
- D389,334 S 1/1998 Attridge
- RE35,731 E 2/1998 Lach

(Continued)

**OTHER PUBLICATIONS**

Office Action from Canadian Patent Application No. 156691, mailed Nov. 18, 2014 (3 pages).

(Continued)

*Primary Examiner* — John Windmuller

(74) *Attorney, Agent, or Firm* — Leanne Traveggia Farrell; Westman, Champlin & Koehler, P.A.

(57) **CLAIM**

The ornamental design for a clamp, as shown and described.

**DESCRIPTION**

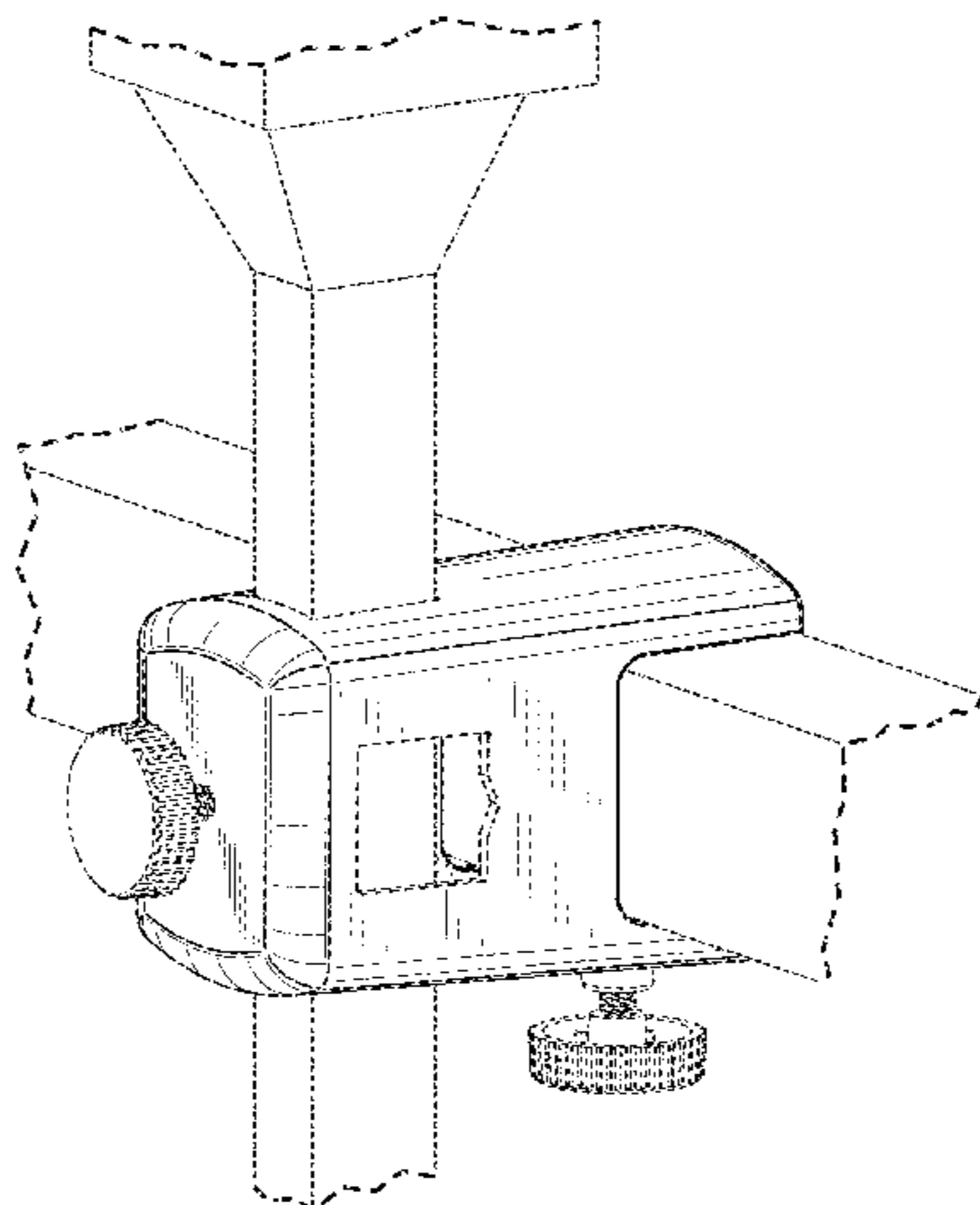
FIG. 1 is a perspective view of a clamp showing our new design;  
 FIG. 2 is an alternative perspective view of the clamp illustrated in FIG. 1;  
 FIG. 3 is another alternative perspective view of the clamp illustrated in FIG. 1;  
 FIG. 4 is a front view of FIG. 3;  
 FIG. 5 is a back view of FIG. 3;  
 FIG. 6 is a right side view of FIG. 3;  
 FIG. 7 is a left side view of FIG. 3;  
 FIG. 8 is a section view of FIG. 3 taken through the line indicated in FIG. 6;  
 FIG. 9 is a top view of FIG. 3; and,  
 FIG. 10 is a bottom view of FIG. 3.  
 The broken lines illustrating portions of the clamp form no part of the claimed design. The broken lines illustrating portions of a path light, railing and post are included for purposes of illustrating environment and form no part of the claimed design.

(56) **References Cited**

**U.S. PATENT DOCUMENTS**

- 417,997 A 12/1889 Dupuis
- 884,772 A 4/1906 Sorensen
- 2,460,568 A 2/1949 Buehner
- 2,559,421 A 7/1951 Garrett
- 2,896,896 A 7/1959 Revzin
- 2,988,310 A 6/1961 Wright
- 3,904,161 A 9/1975 Scott
- D296,075 S \* 6/1988 Jones ..... D15/7
- D334,815 S \* 4/1993 Bungler ..... D21/501
- D342,011 S \* 12/1993 Maguire ..... D8/349
- 5,269,488 A 12/1993 Lach

**1 Claim, 9 Drawing Sheets**



(56)

**References Cited**

U.S. PATENT DOCUMENTS

D392,542 S \* 3/1998 Ito ..... D8/349  
 D396,185 S 7/1998 Fraser  
 D413,429 S 9/1999 Carson  
 D470,400 S 2/2003 Fraser et al.  
 6,726,170 B2 4/2004 Luo  
 7,252,275 B1 8/2007 Puckett et al.  
 D581,986 S \* 12/2008 Evitt ..... D20/43  
 D583,219 S \* 12/2008 Dagg ..... D8/349  
 D599,649 S \* 9/2009 Wakasugi ..... D8/382  
 D611,887 S \* 3/2010 Peschmann ..... D12/223  
 D614,481 S \* 4/2010 Lewis ..... D8/382  
 7,980,521 B2 \* 7/2011 Harr ..... A61M 5/1415  
 248/220.21

8,011,629 B2 9/2011 Herskovic  
 8,051,515 B1 11/2011 Kring  
 D678,045 S \* 3/2013 Paolini ..... D8/382  
 8,393,343 B2 3/2013 VanVonderen  
 D695,592 S \* 12/2013 White ..... D8/354  
 D701,107 S \* 3/2014 White ..... D8/354  
 D736,063 S \* 8/2015 White ..... D8/354  
 D742,208 S \* 11/2015 Charette ..... D8/373  
 2006/0231723 A1 10/2006 Fayerman

OTHER PUBLICATIONS

Walmart, "Tiki Deck Clamp," <http://web.archive.org/web/20111022204102/http://www.walmart.com/ip/Tiki-Deck-Clamp/16778249>, at least as early as Oct. 2011, 1 page.

\* cited by examiner

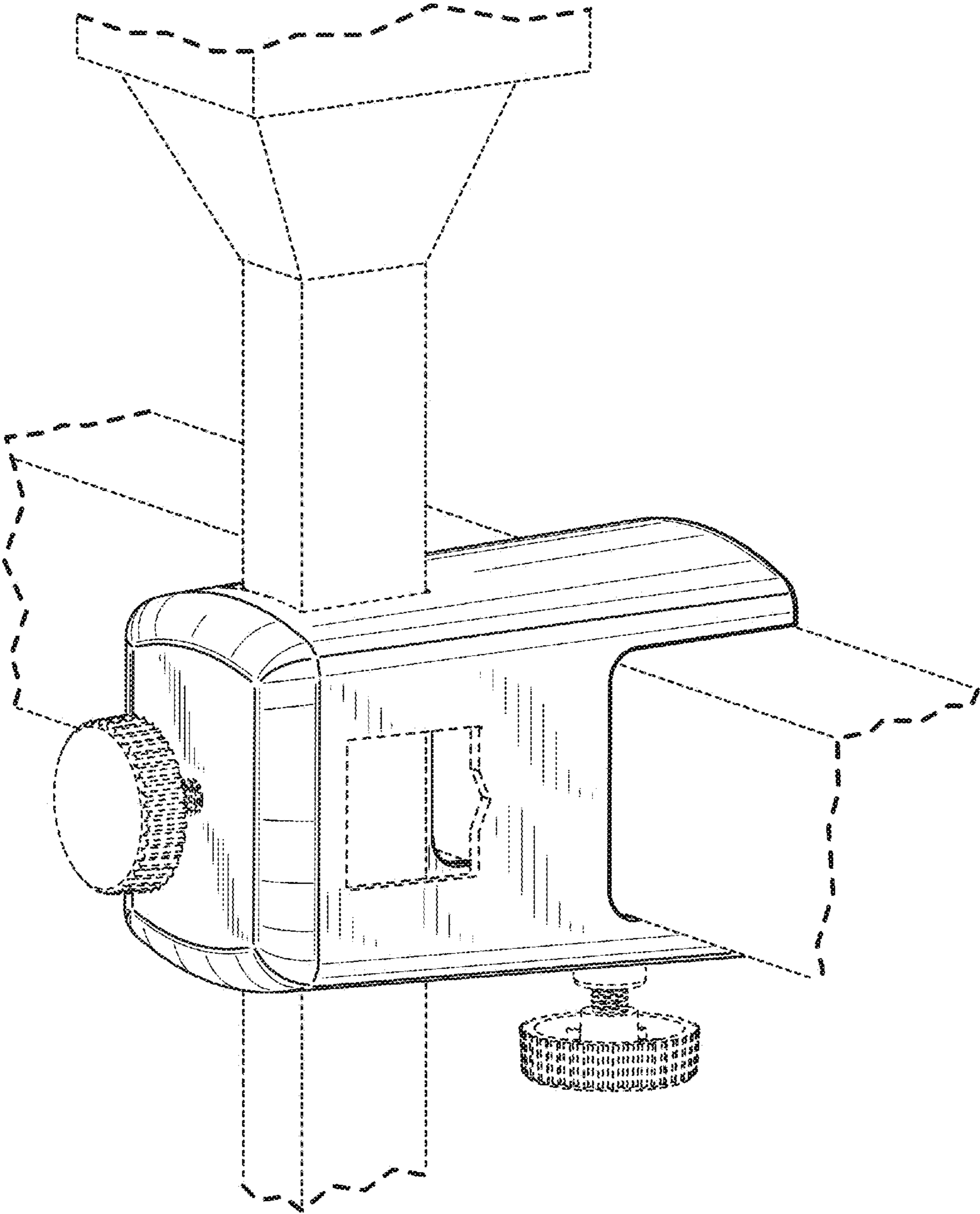


FIG. 1

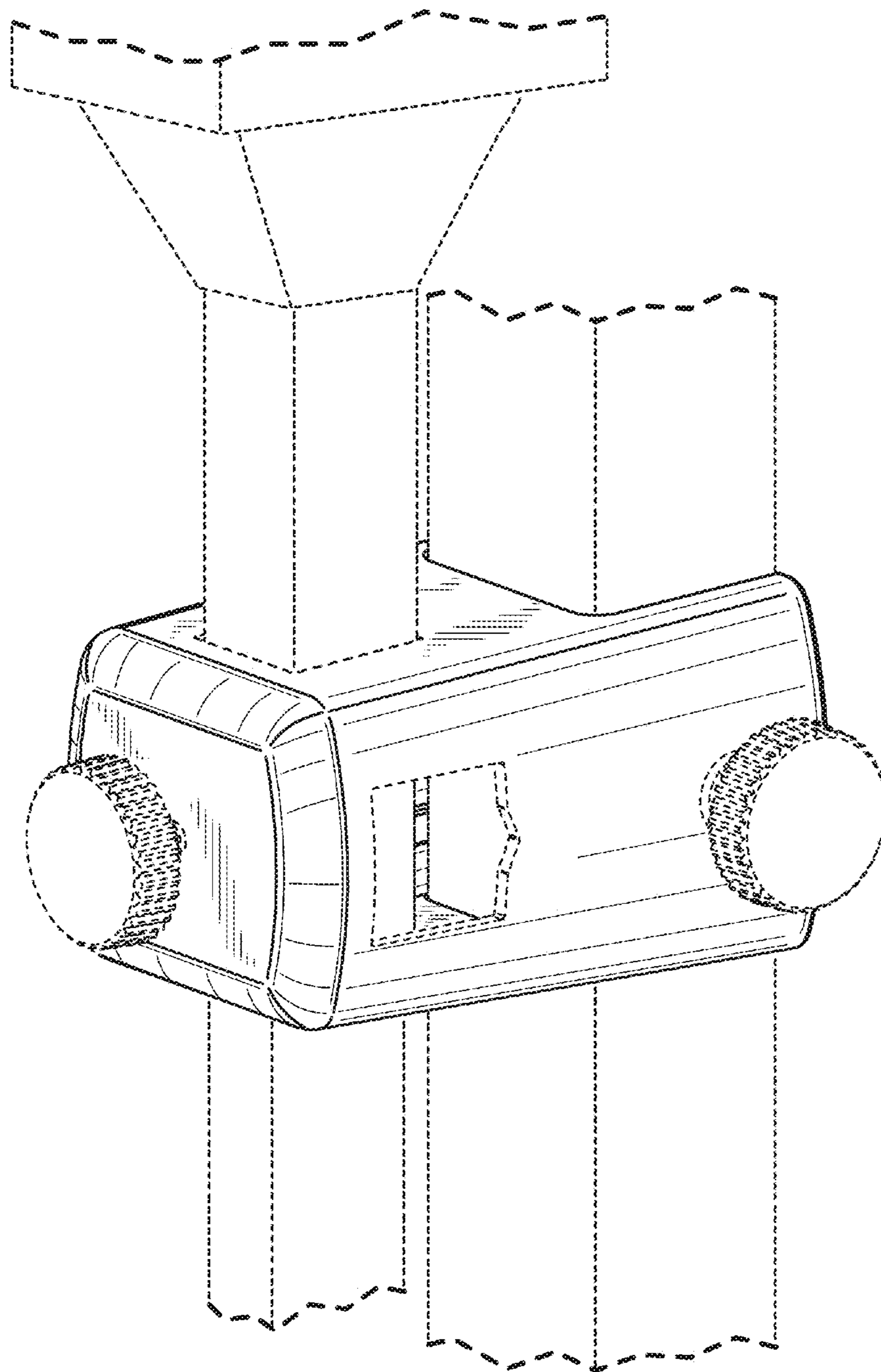
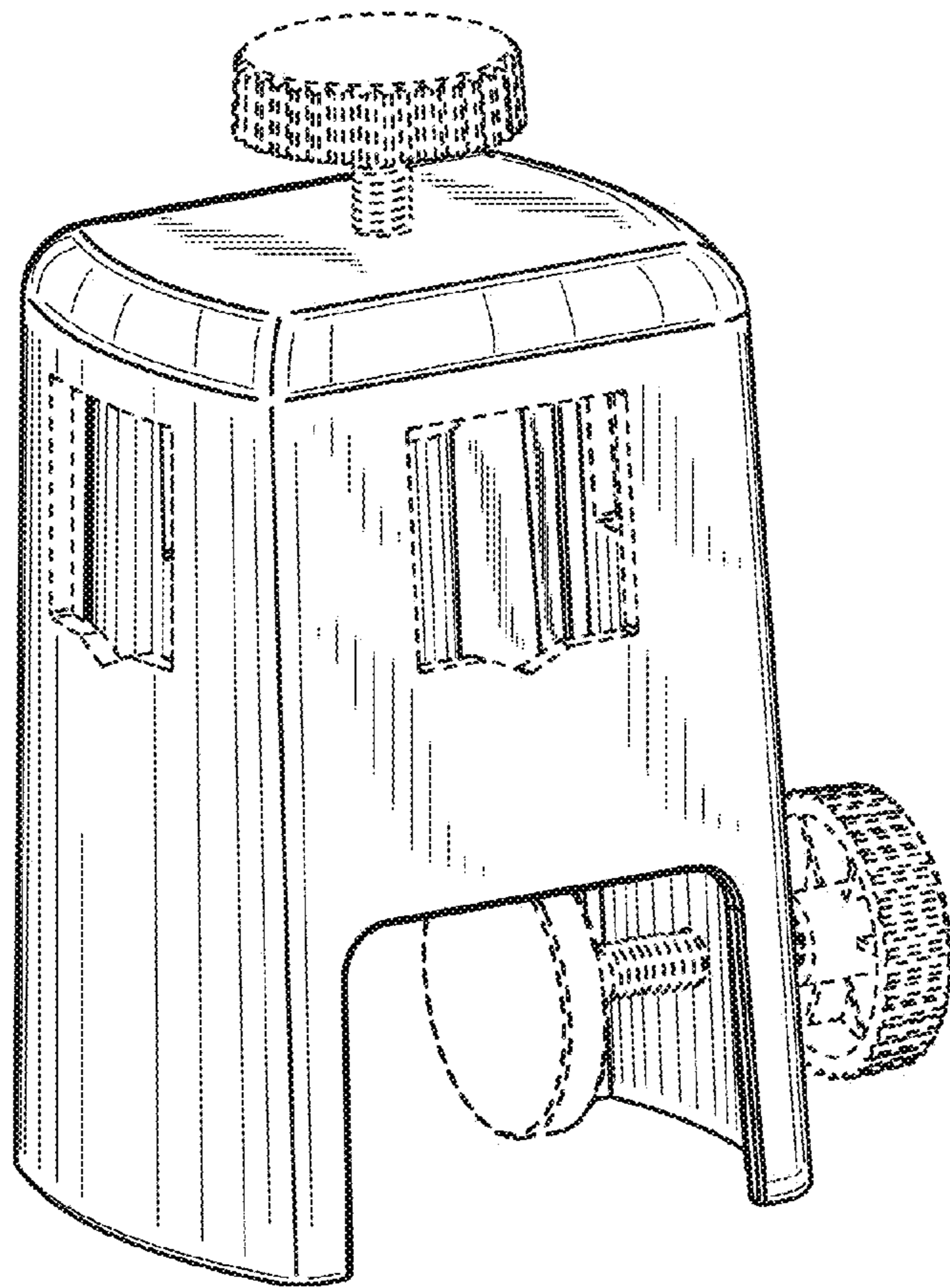


FIG. 2



**FIG. 3**

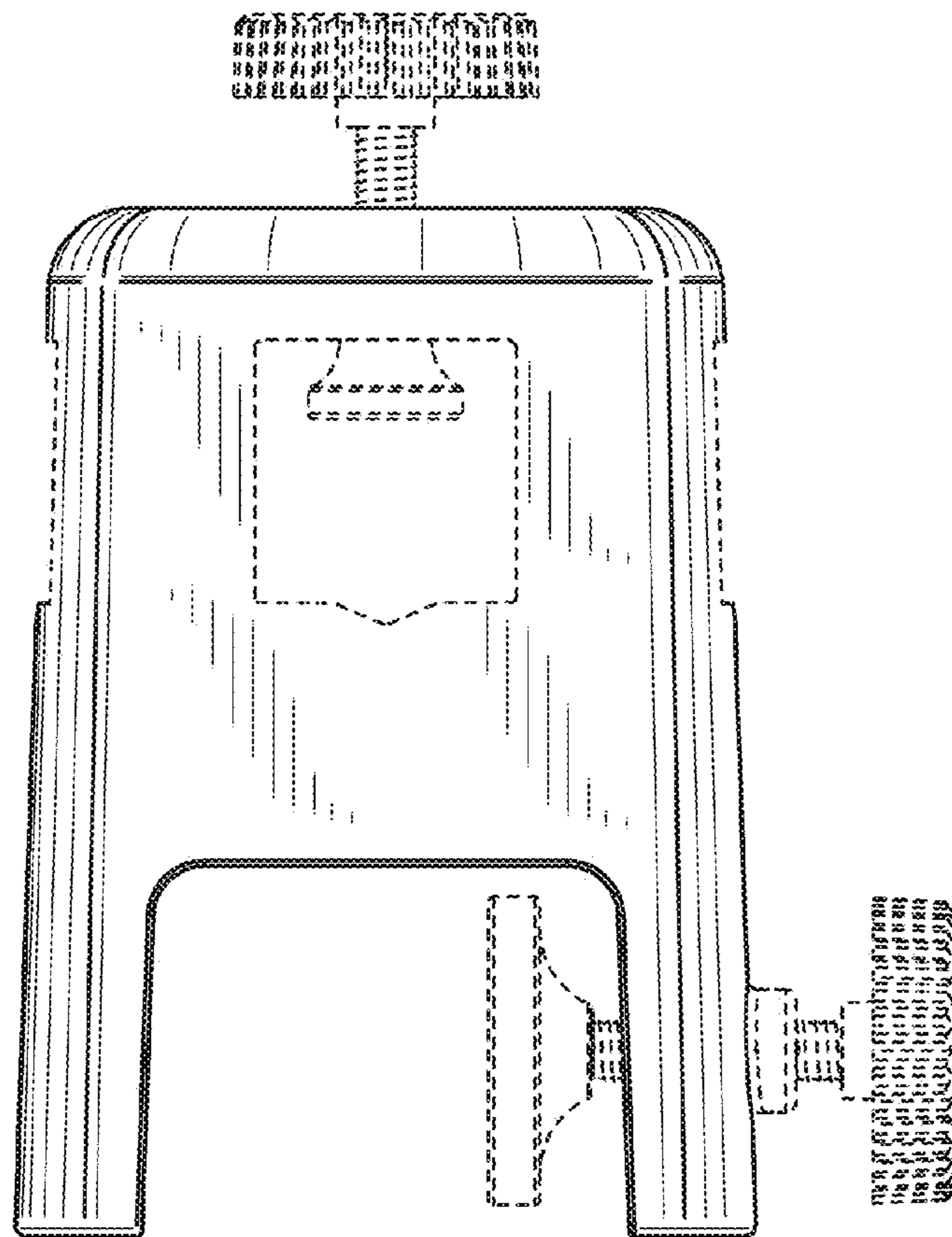


FIG. 4

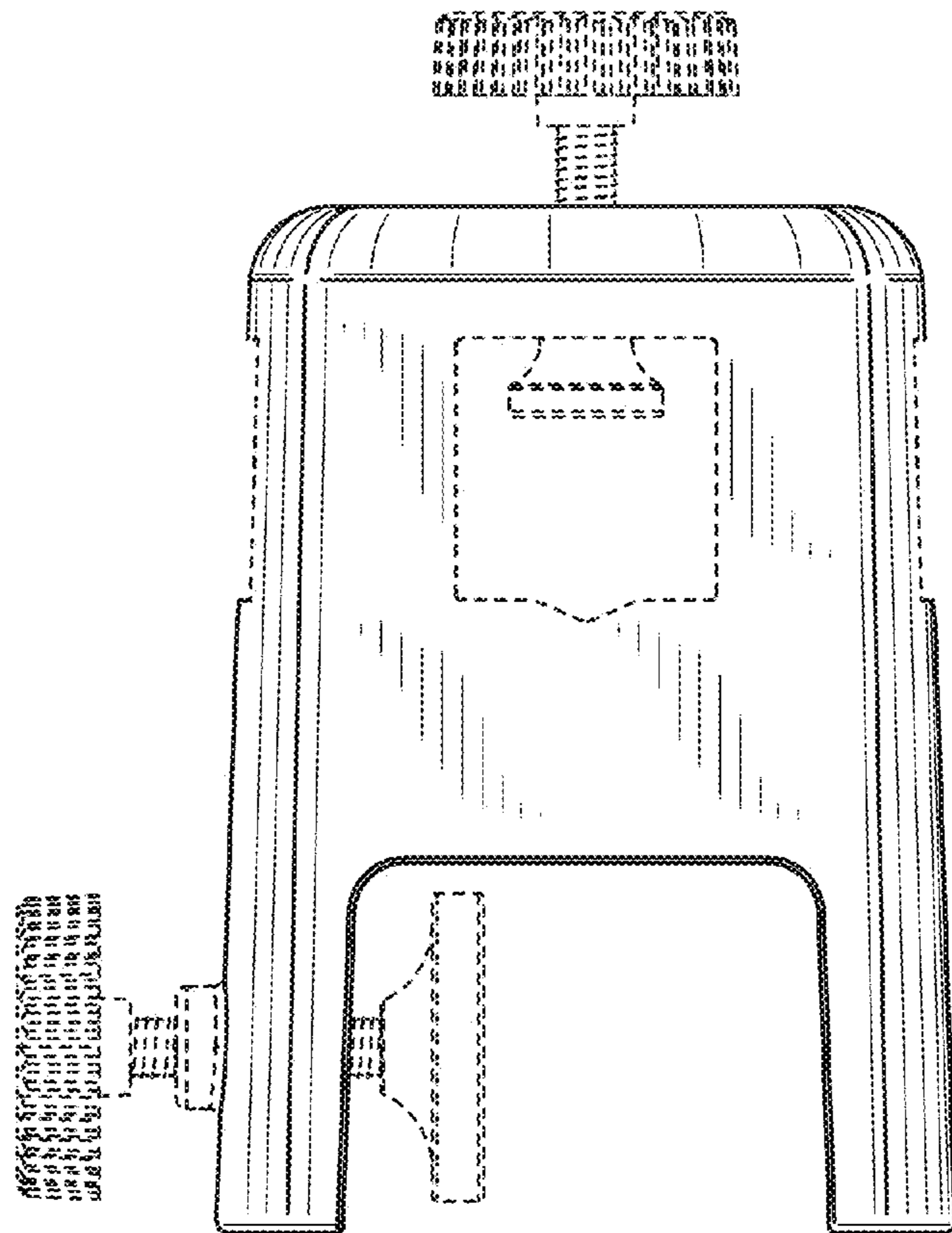


FIG. 5

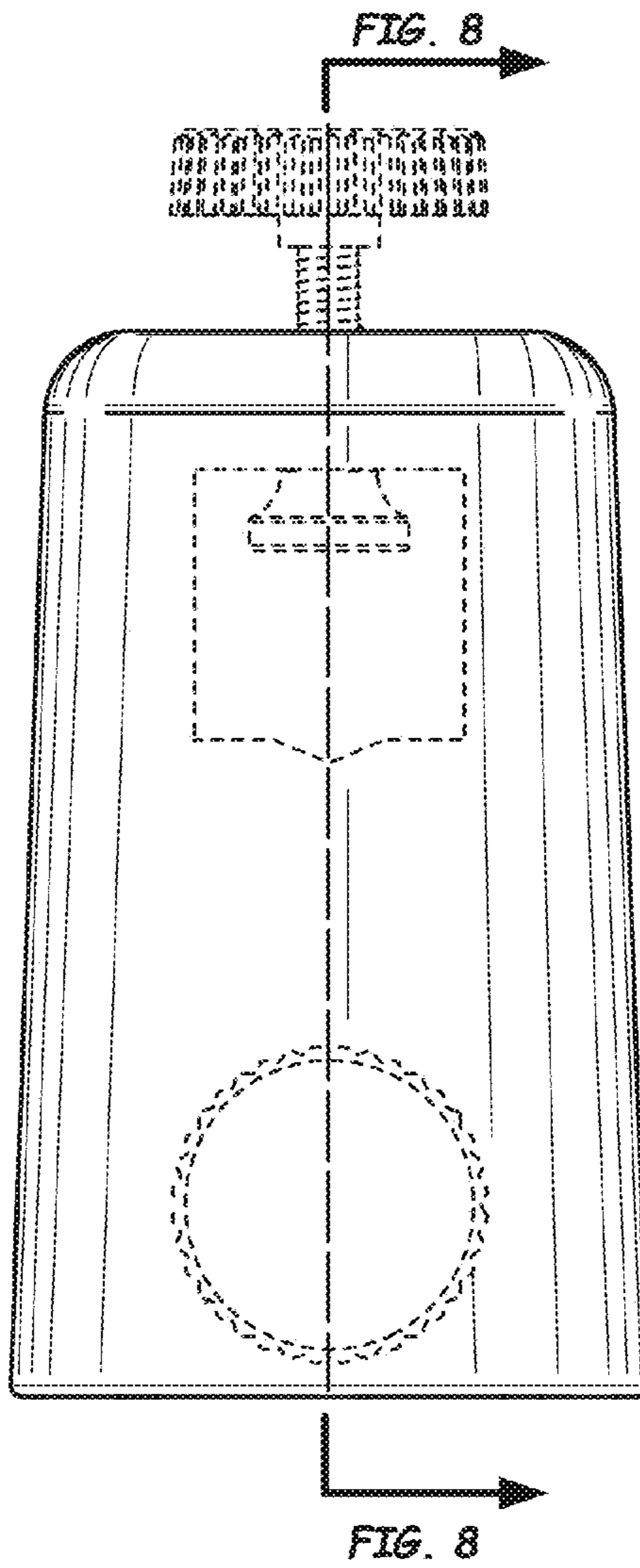
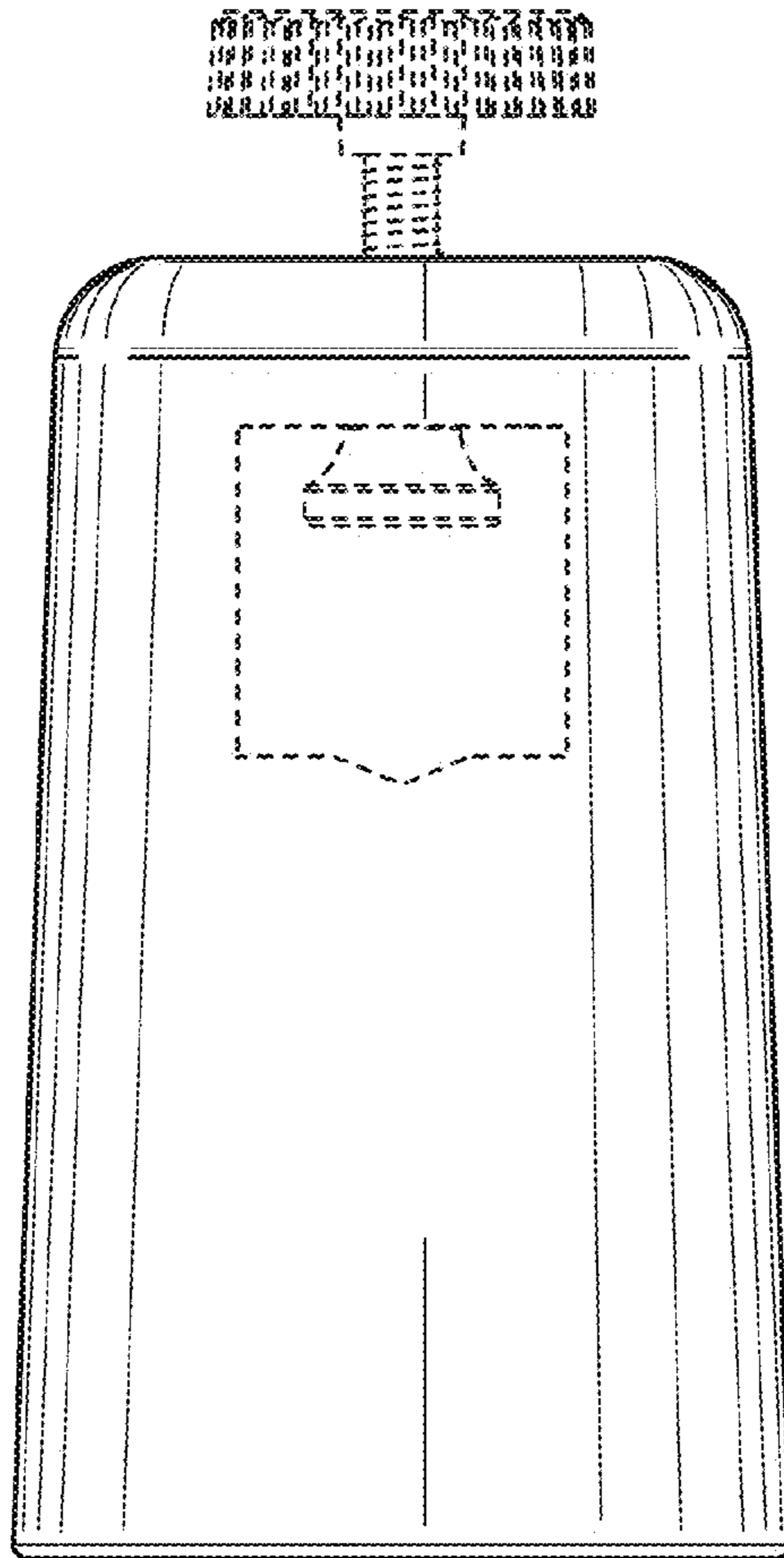
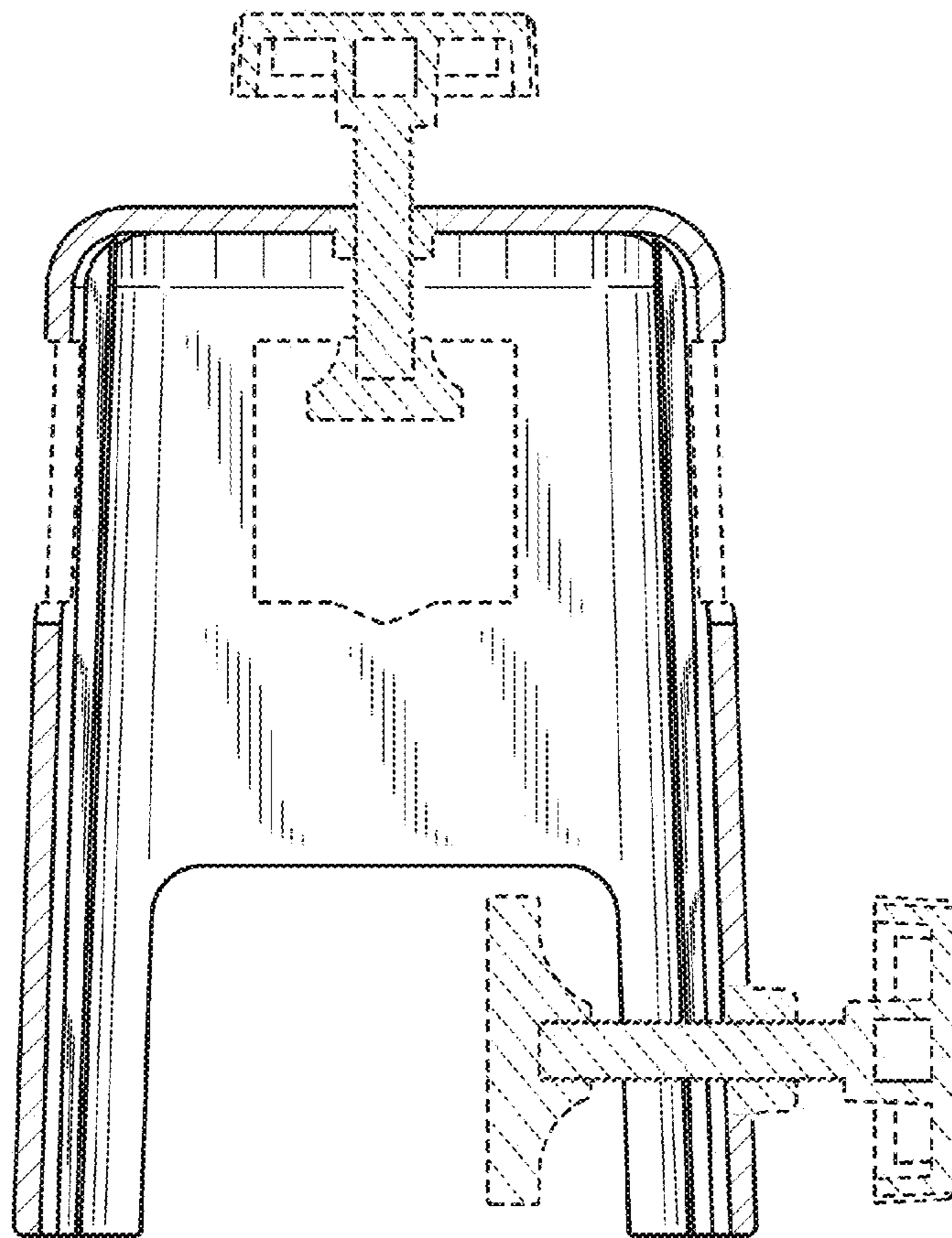


FIG. 6





**FIG. 7**



**FIG. 8**

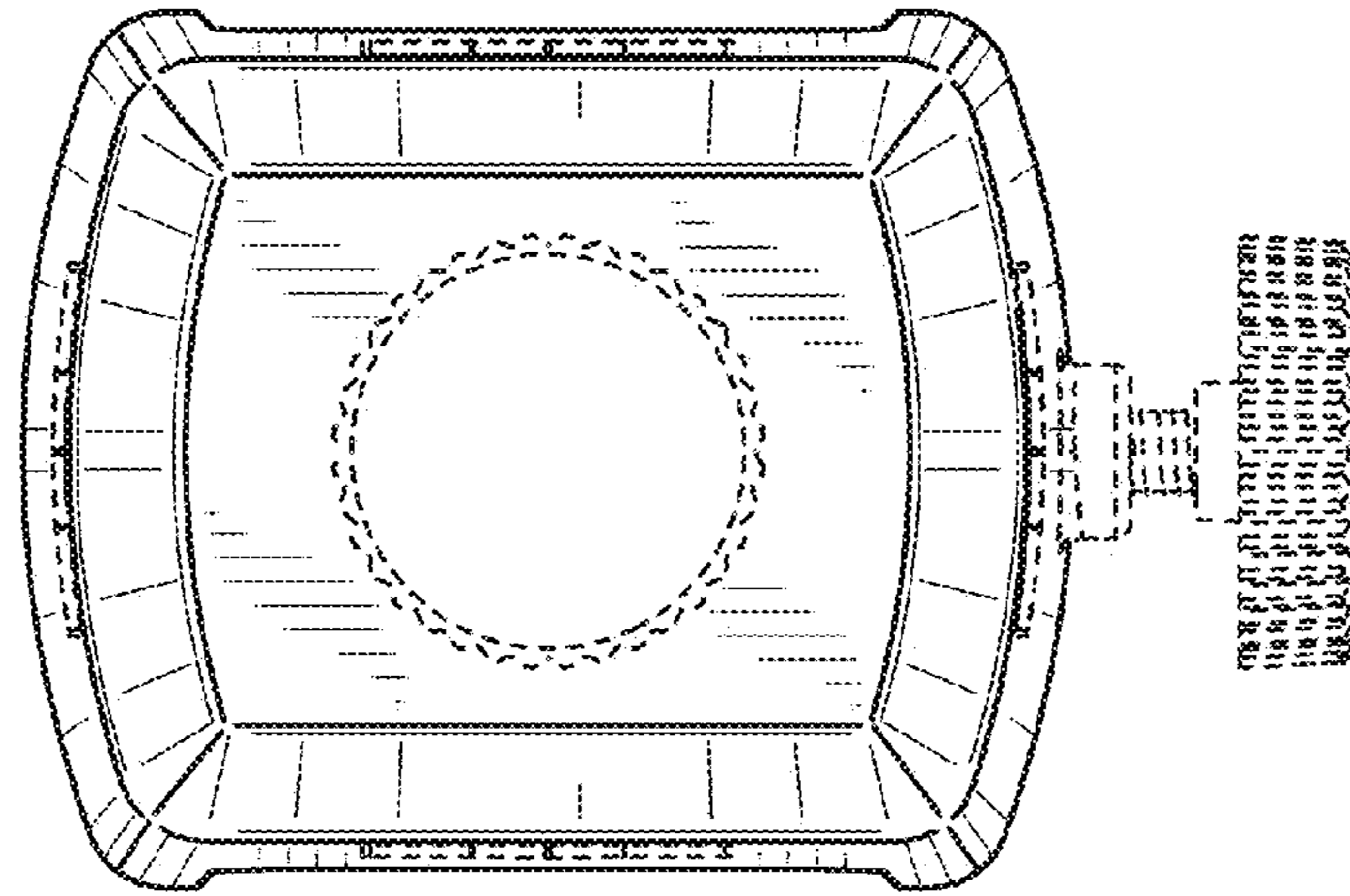


FIG. 9

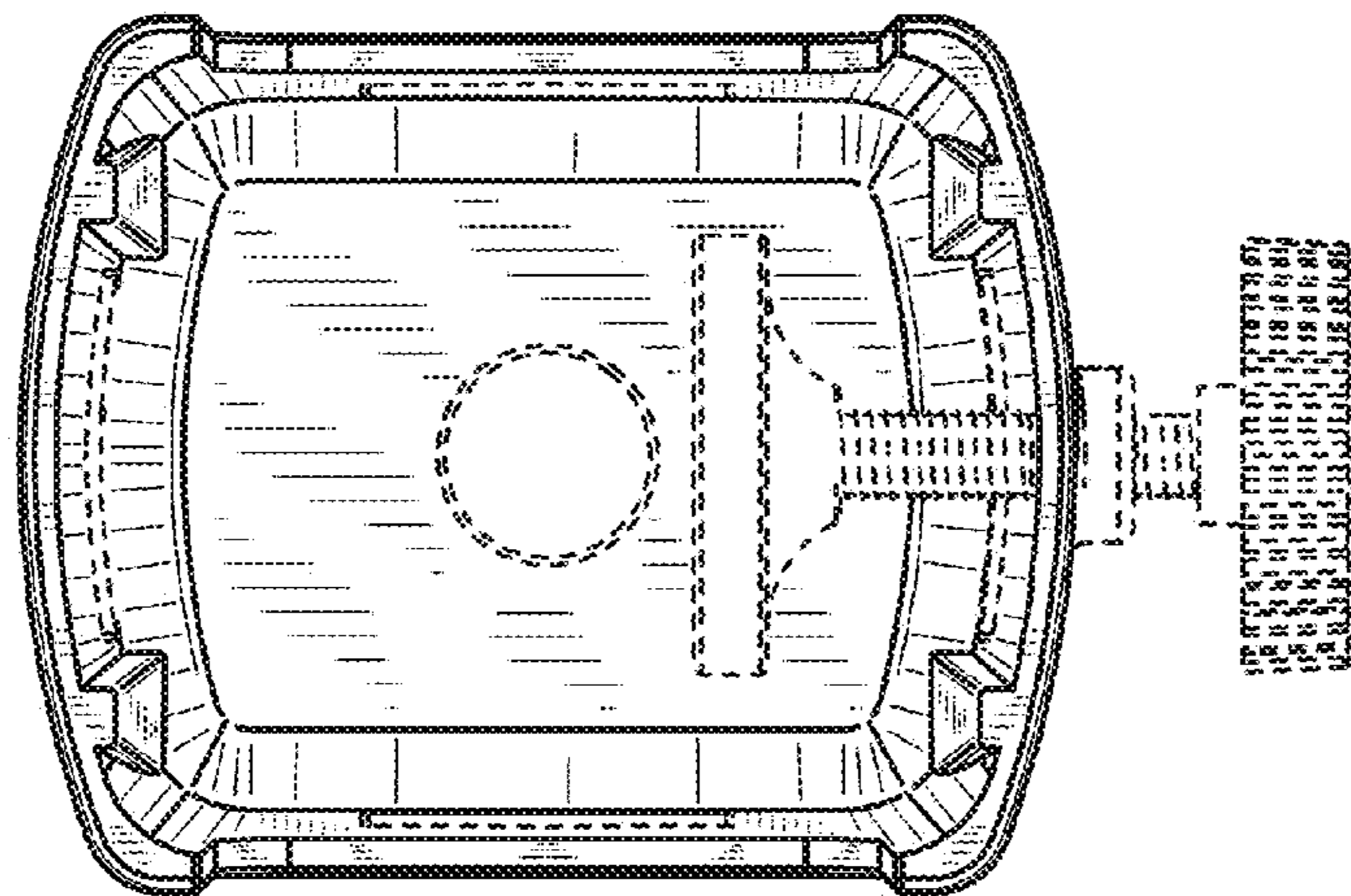


FIG. 10