



US00D747180S

(12) **United States Design Patent**
Burcar

(10) **Patent No.:** **US D747,180 S**
(45) **Date of Patent:** **** Jan. 12, 2016**

- (54) **HOOK**
- (71) Applicant: **Scott Burcar**, Golden, CO (US)
- (72) Inventor: **Scott Burcar**, Golden, CO (US)
- (**) Term: **14 Years**
- (21) Appl. No.: **29/502,984**
- (22) Filed: **Sep. 22, 2014**
- (51) **LOC (10) Cl.** **08-05**
- (52) **U.S. Cl.**
USPC **D8/367**
- (58) **Field of Classification Search**
USPC D8/367, 354, 349; 248/301, 302, 303,
248/304, 339; 24/132 R
CPC A47G 25/00; A47G 1/00
See application file for complete search history.

D649,016 S *	11/2011	Rasmussen	D8/354
D667,288 S *	9/2012	Preda	D8/354
D667,289 S *	9/2012	Preda	D8/354
D690,188 S *	9/2013	Pontus	D8/349
D707,110 S *	6/2014	Veilleux	D8/367
2004/0093670 A1 *	5/2004	Polevoy	A47C 19/02 5/200.1
2009/0173036 A1 *	7/2009	Hand	E04B 2/96 52/715

* cited by examiner

Primary Examiner — Cynthia Underwood
(74) *Attorney, Agent, or Firm* — Sheridan Ross P.C.

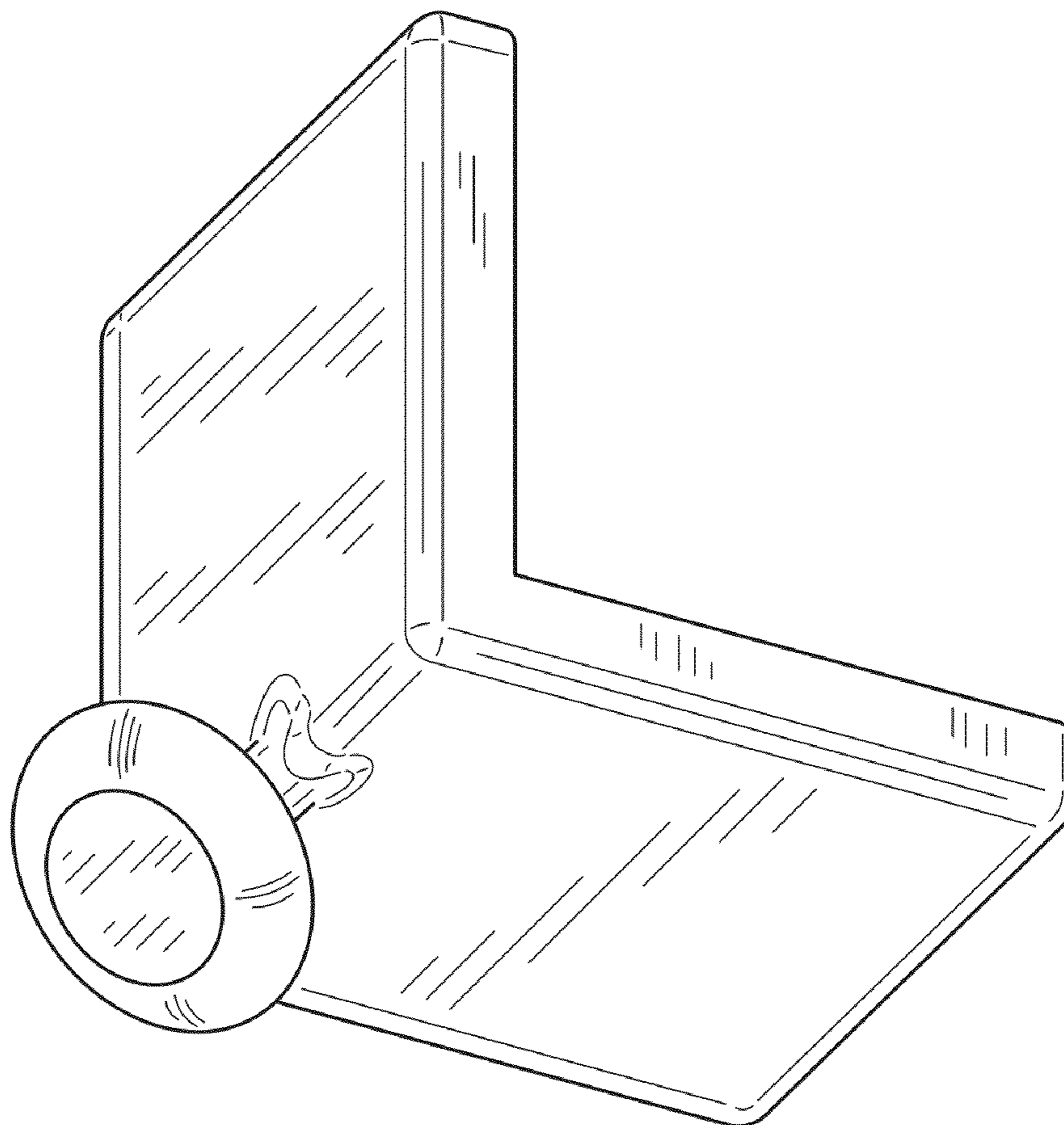
(57) **CLAIM**
The ornamental design for a hook, as shown and described.

DESCRIPTION

FIG. 1 is a perspective view of a hook showing the new design;
FIG. 2 is a front elevation view thereof;
FIG. 3 is a rear elevation view thereof;
FIG. 4 is a right elevation view thereof;
FIG. 5 is a left elevation view thereof;
FIG. 6 is a top plan view thereof; and,
FIG. 7 is a bottom plan view thereof.

1 Claim, 4 Drawing Sheets

- (56) **References Cited**
U.S. PATENT DOCUMENTS
D33,335 S * 10/1900 Galloway 5/238
3,426,370 A * 2/1969 Underdown, Sr. ... A47C 19/021
5/238



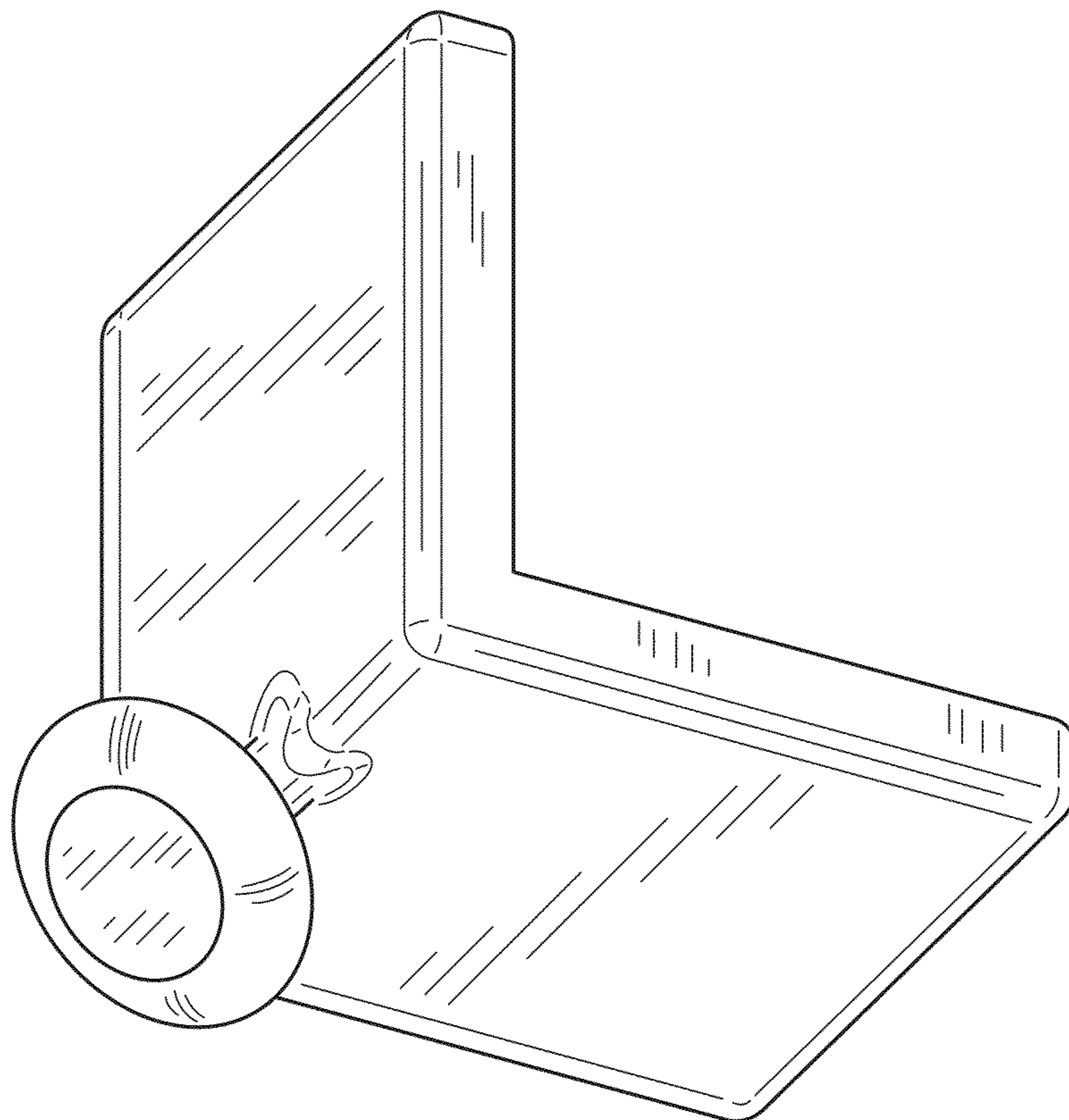


FIG.1

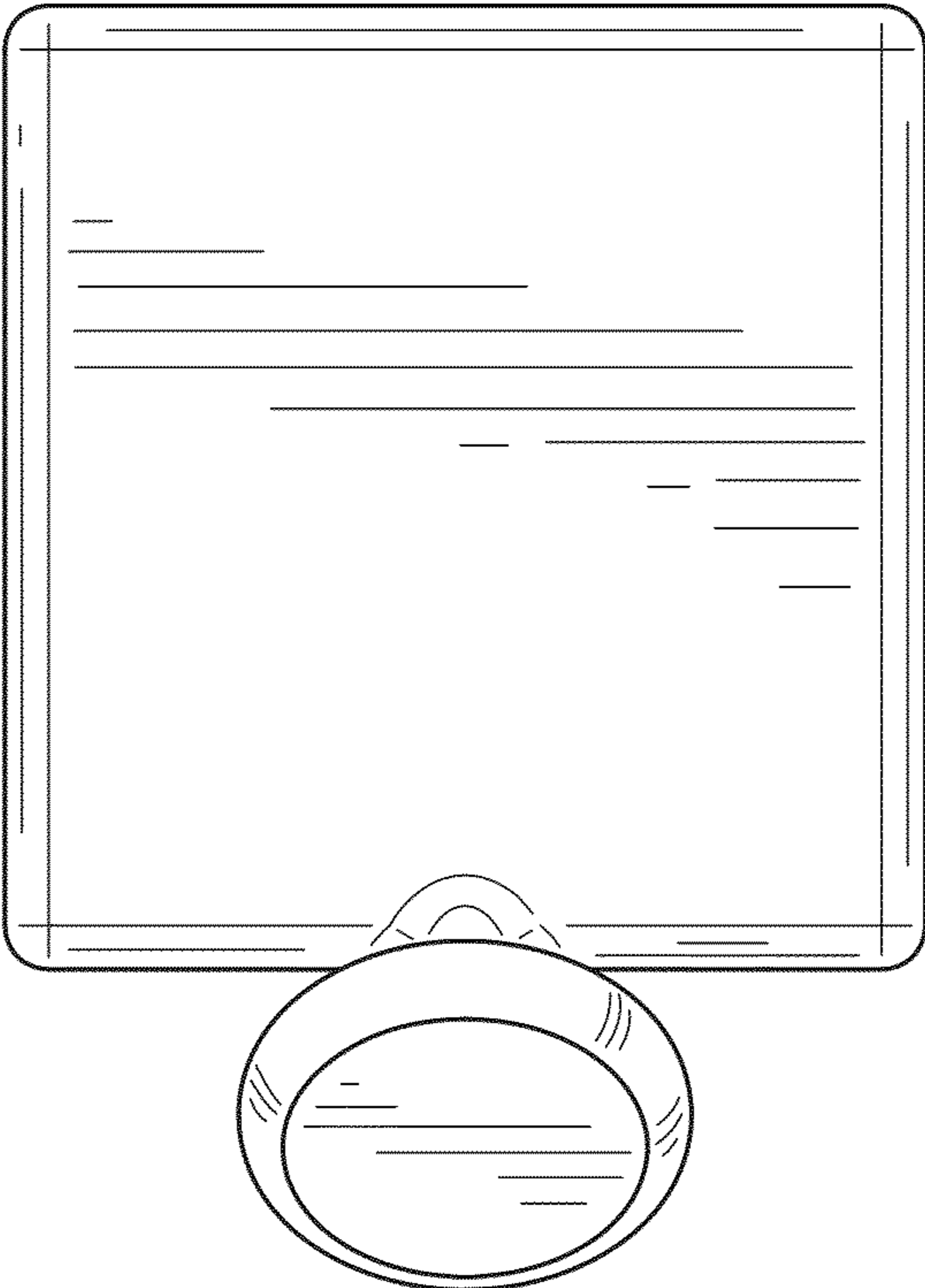


FIG. 2

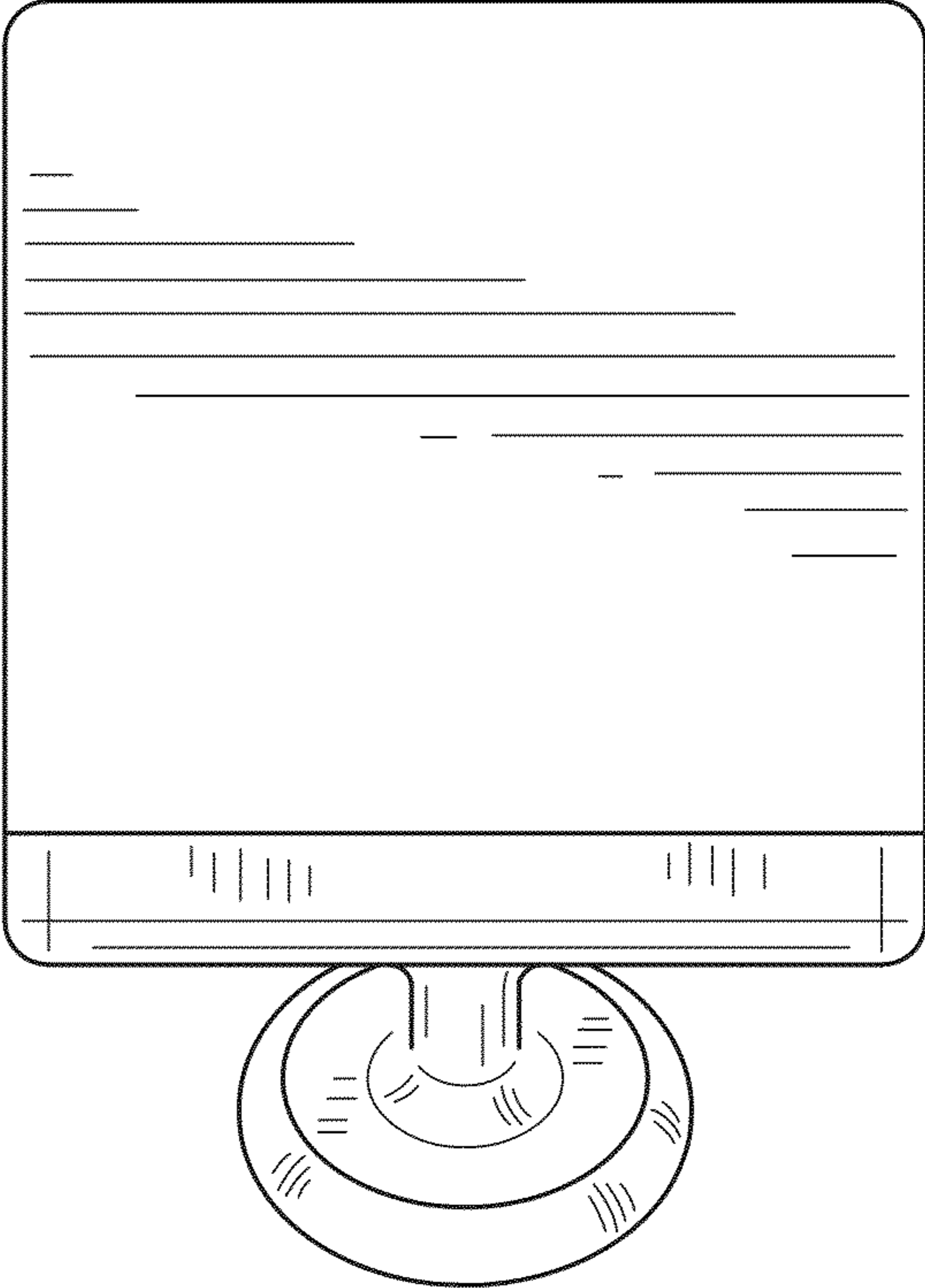


FIG. 3

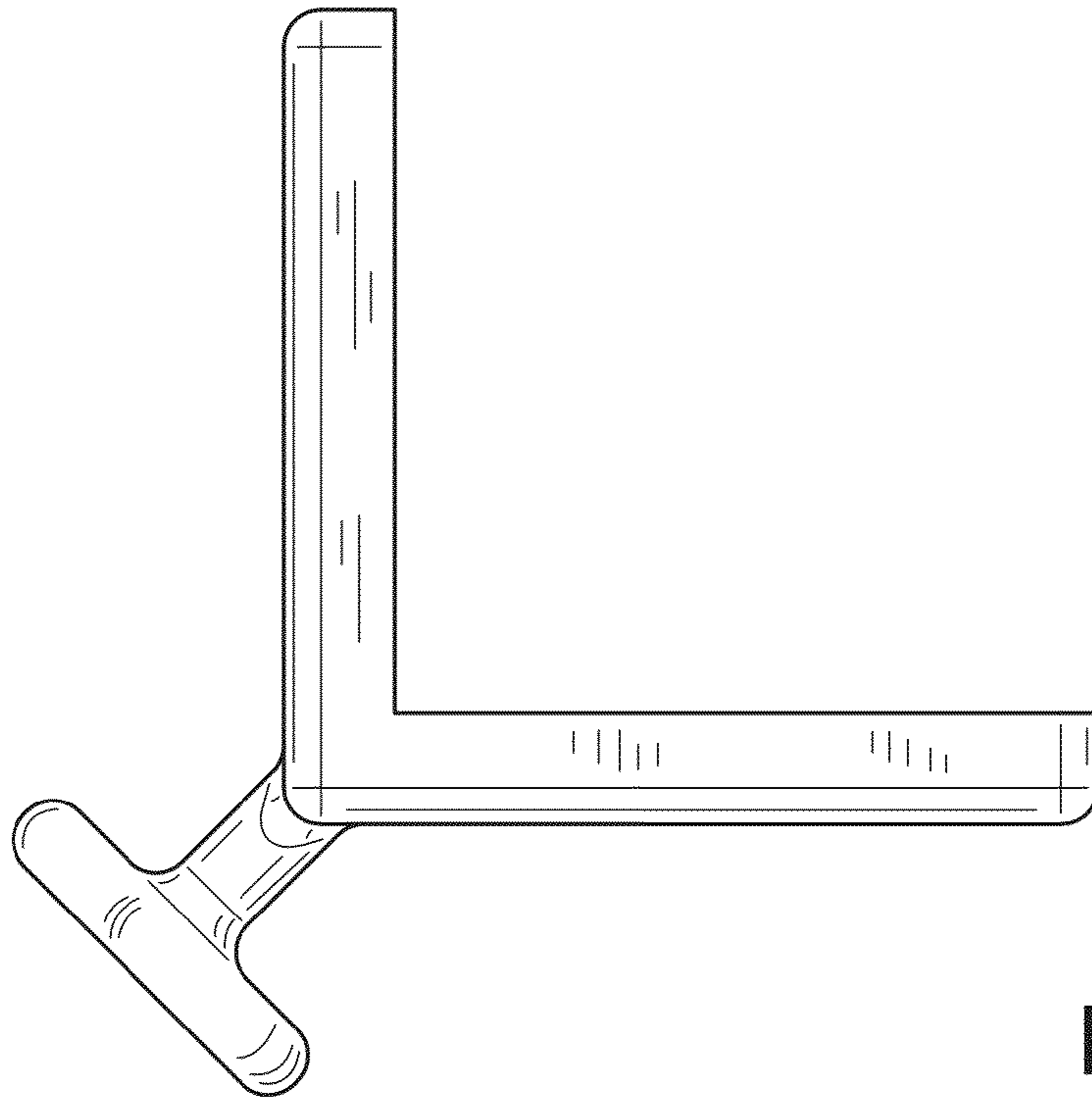


FIG. 4

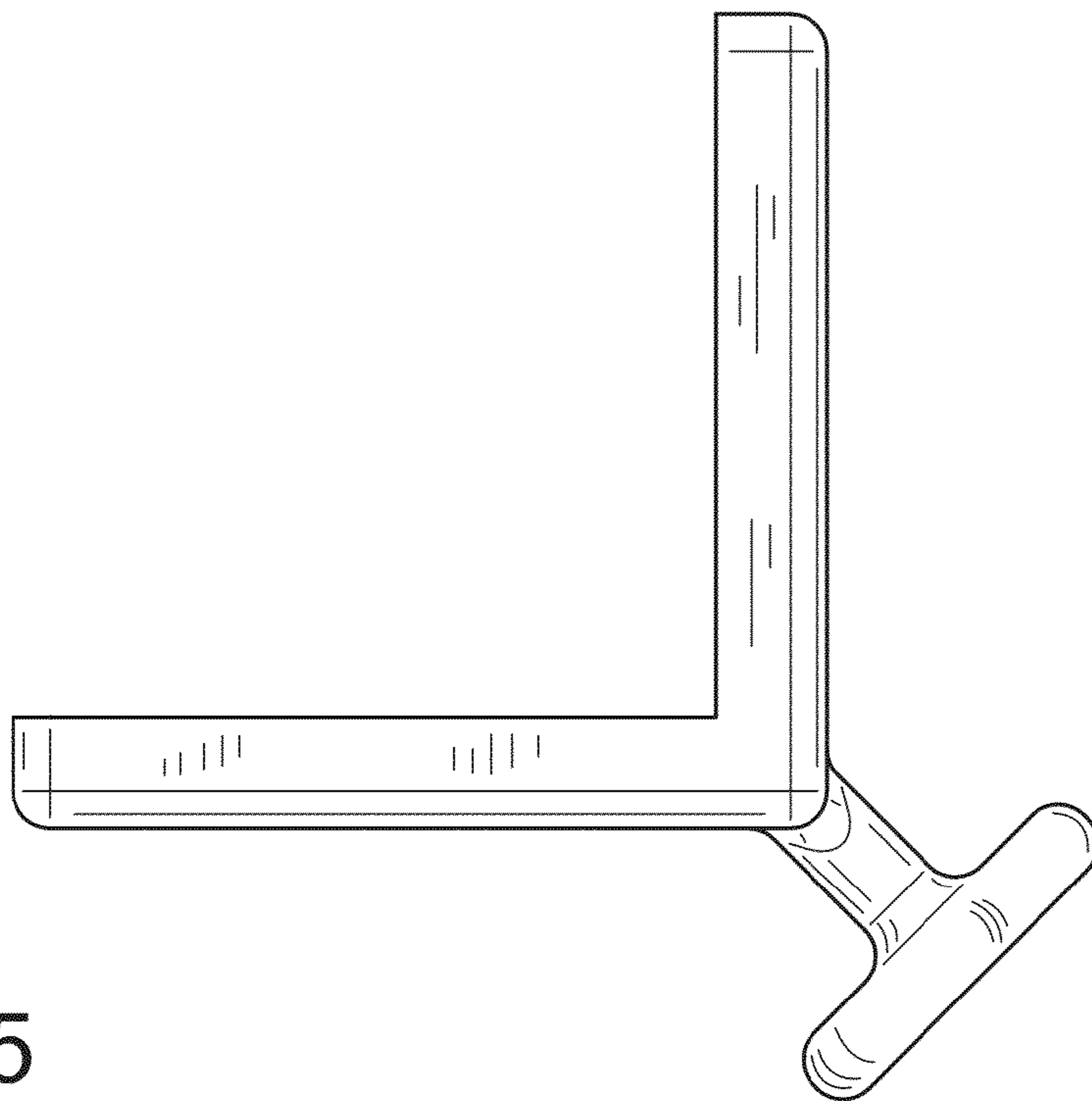


FIG. 5

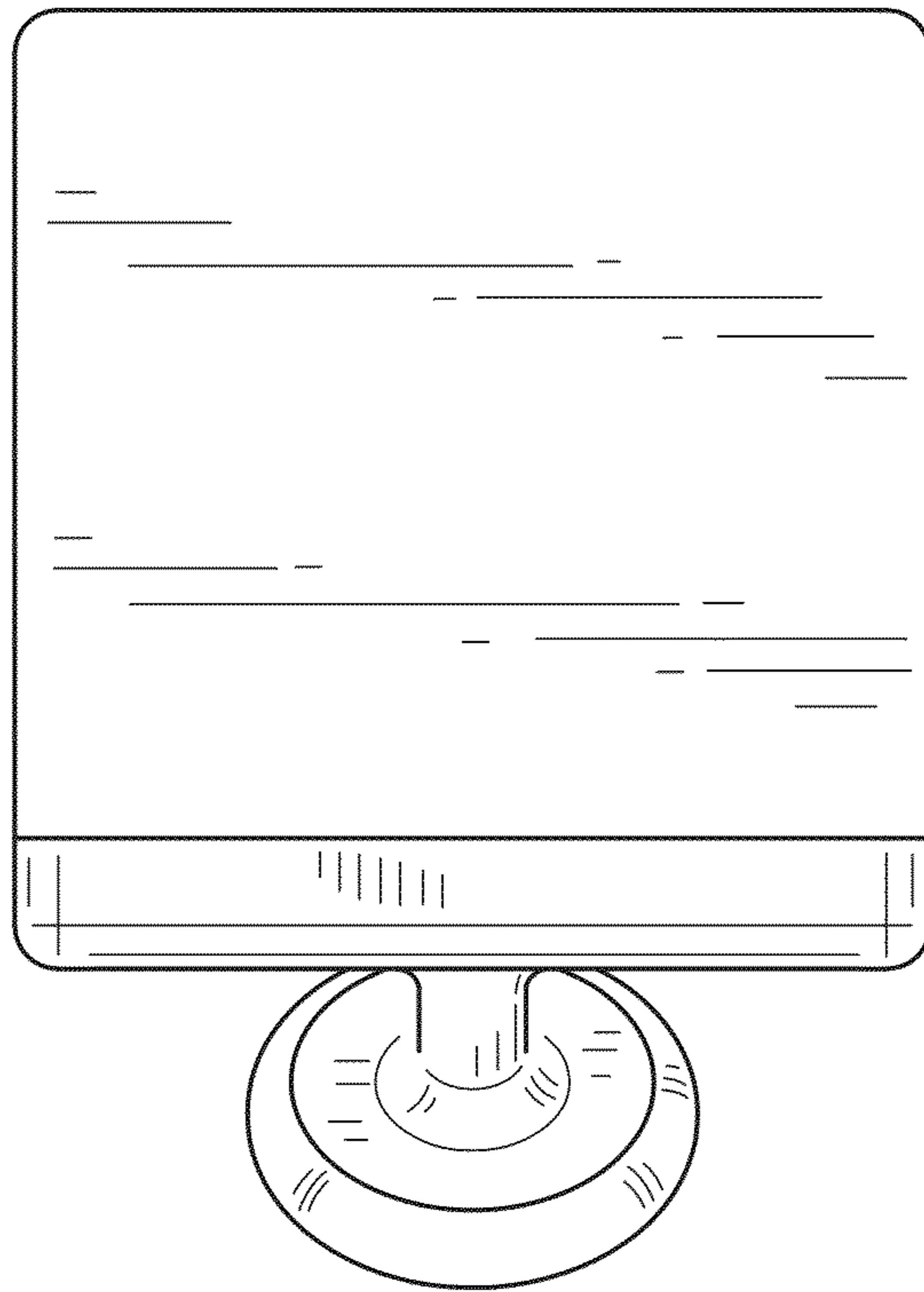


FIG. 6

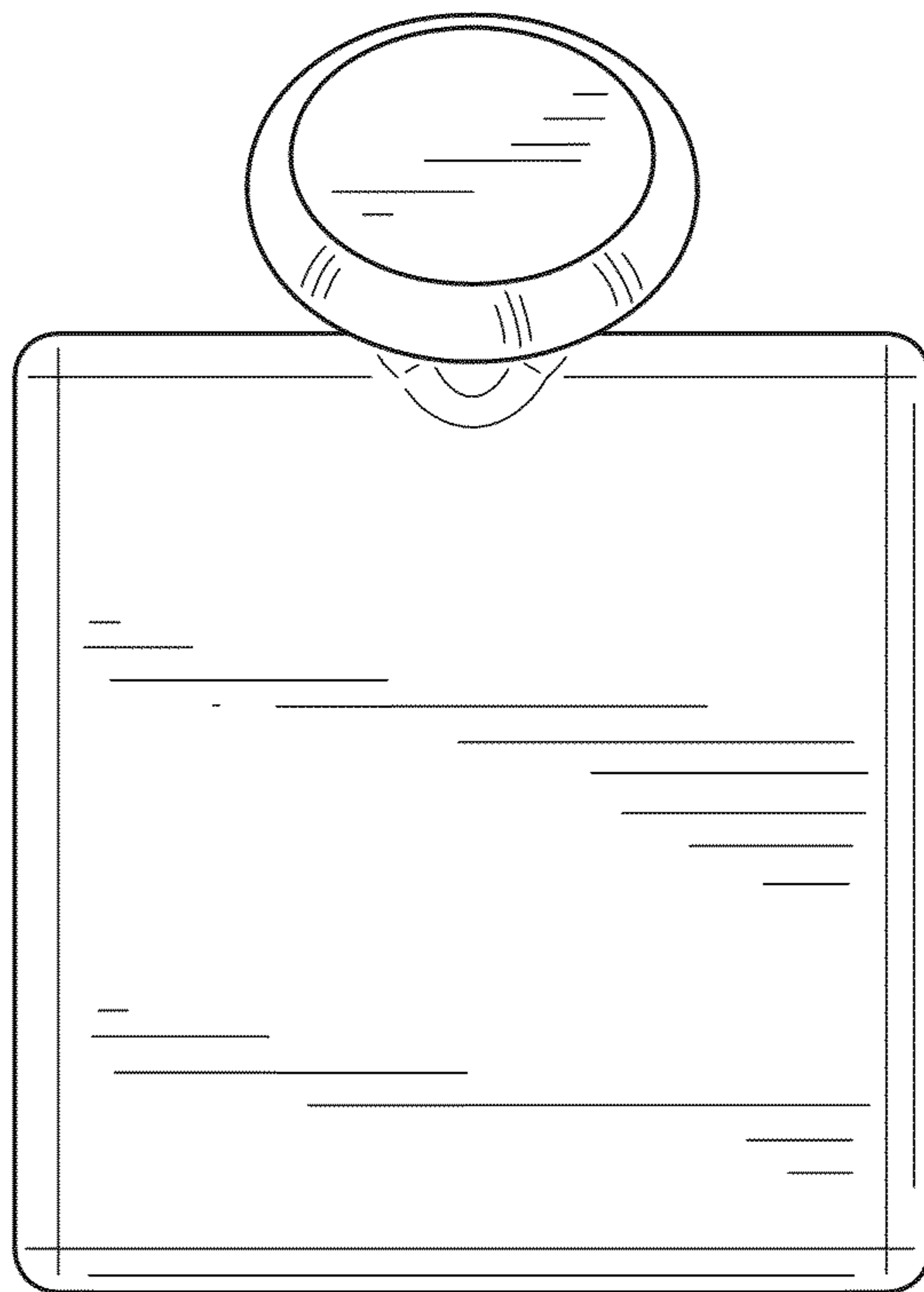


FIG. 7