



US00D747179S

(12) **United States Design Patent**
Xiang et al.

(10) **Patent No.:** **US D747,179 S**
(45) **Date of Patent:** **** Jan. 12, 2016**

(54) **MOUNTING ARM**

(71) Applicant: **LOCTEK VISUAL TECHNOLOGY CORP., Ningbo (CN)**

(72) Inventors: **Lehong Xiang, Ningbo (CN); Qiang Chen, Ningbo (CN); Haoyu Ye, Ningbo (CN)**

(73) Assignee: **LOCTEK VISUAL TECHNOLOGY CORP., Ningbo (CN)**

(**) Term: **14 Years**

(21) Appl. No.: **29/509,109**

(22) Filed: **Nov. 14, 2014**

(30) **Foreign Application Priority Data**

Aug. 22, 2014 (CN) 2014 3 0301661

(51) **LOC (10) Cl.** **08-05**

(52) **U.S. Cl.**
USPC **D8/363**

(58) **Field of Classification Search**
USPC D8/16, 18, 19, 20, 105, 356, 363, 366,
D8/370-377, 380-382; D6/406.2;
D12/106, 48; D26/65
CPC B25F 1/00; B25F 1/02; A45F 2200/0575;
G01B 5/18

See application file for complete search history.

(56) **References Cited**

U.S. PATENT DOCUMENTS

D114,024 S *	3/1939	Kraft	D26/65
D414,578 S *	9/1999	Chen	D26/65
D566,530 S *	4/2008	Brassard	D8/363
D572,575 S *	7/2008	Zhang	D8/363
D580,742 S *	11/2008	Short	D14/452
D602,342 S *	10/2009	Brassard	D14/452
D611,802 S *	3/2010	Li	D8/363
D675,905 S *	2/2013	Bowman	D8/363

* cited by examiner

Primary Examiner — Robert M Spear

Assistant Examiner — Eliza Bennett-Hattan

(74) *Attorney, Agent, or Firm* — Chun-Ming Shih; HDLS IPR Services

(57) **CLAIM**

The ornamental design for a mounting arm, as shown and described.

DESCRIPTION

FIG. 1 is a perspective view of a mounting arm showing our new design;

FIG. 2 is a front view thereof;

FIG. 3 is a rear view thereof;

FIG. 4 is a left side view thereof;

FIG. 5 is a right side view thereof;

FIG. 6 is a top view thereof;

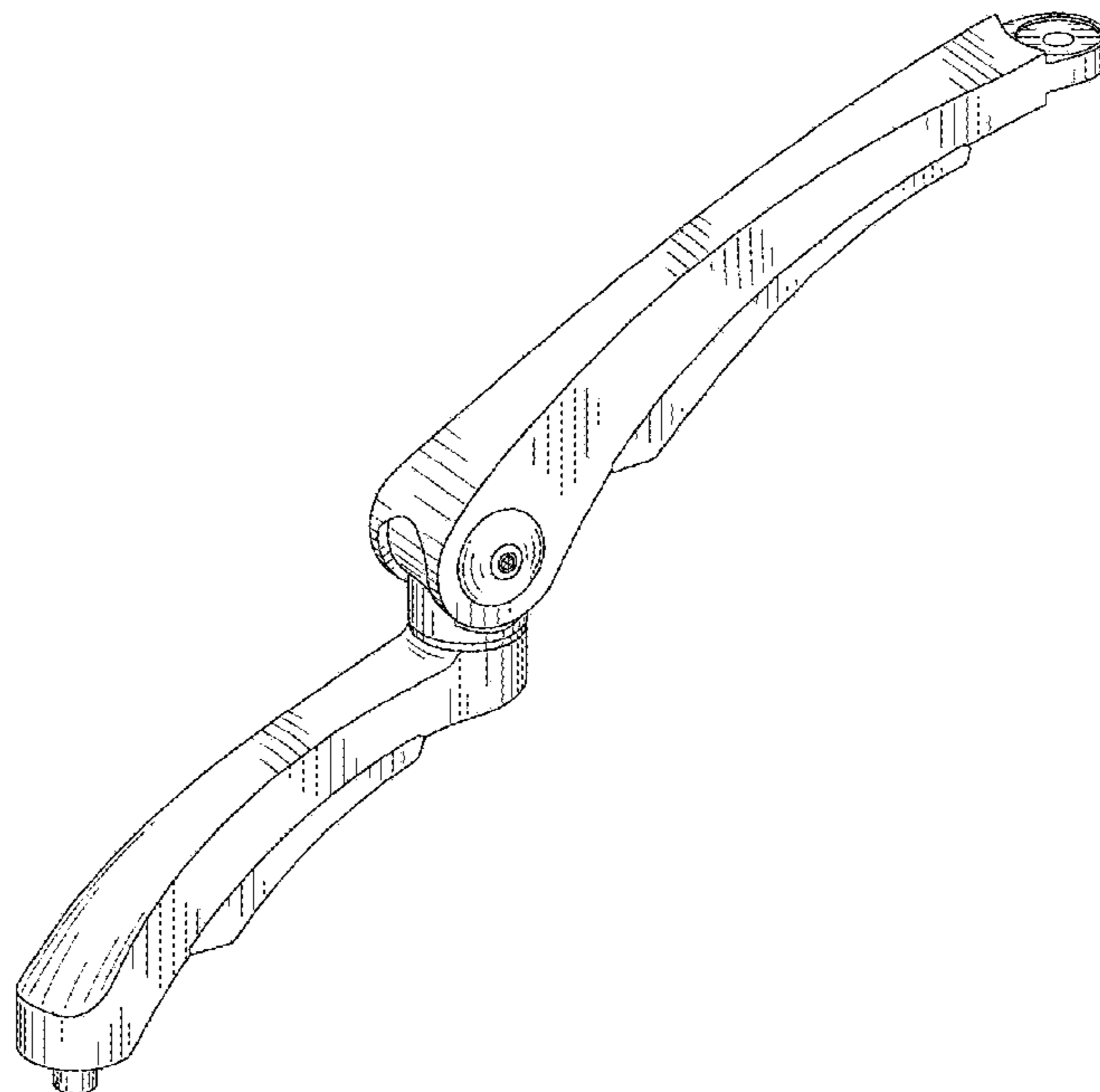
FIG. 7 is a bottom view thereof;

FIG. 8 is a perspective view showing the mounting arm in a position of use; and,

FIG. 9 is another perspective view showing the mounting arm in a position of use.

The broken lines shown represent unclaimed subject matter and form no part of the claimed design.

1 Claim, 7 Drawing Sheets



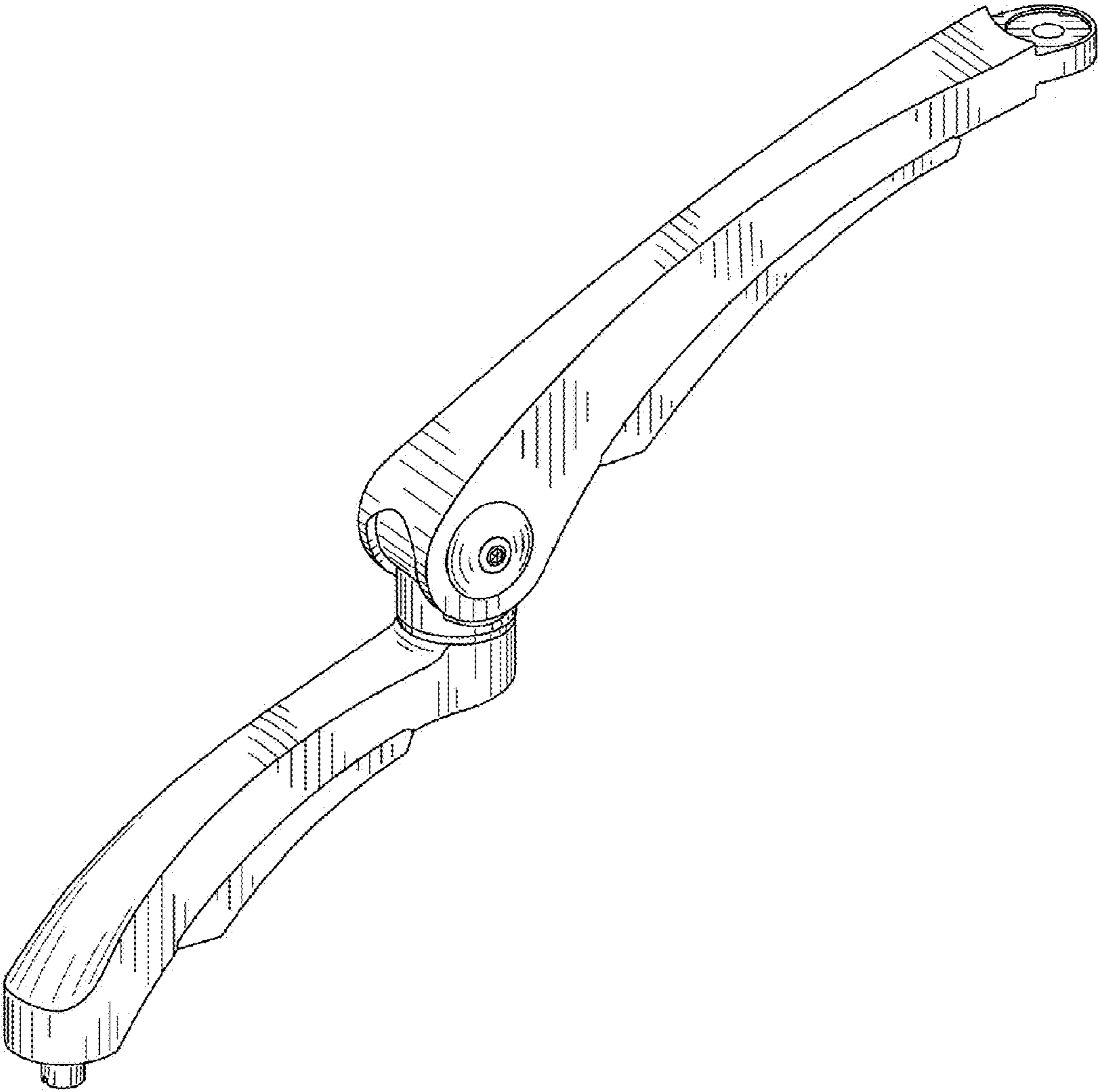


FIG.1

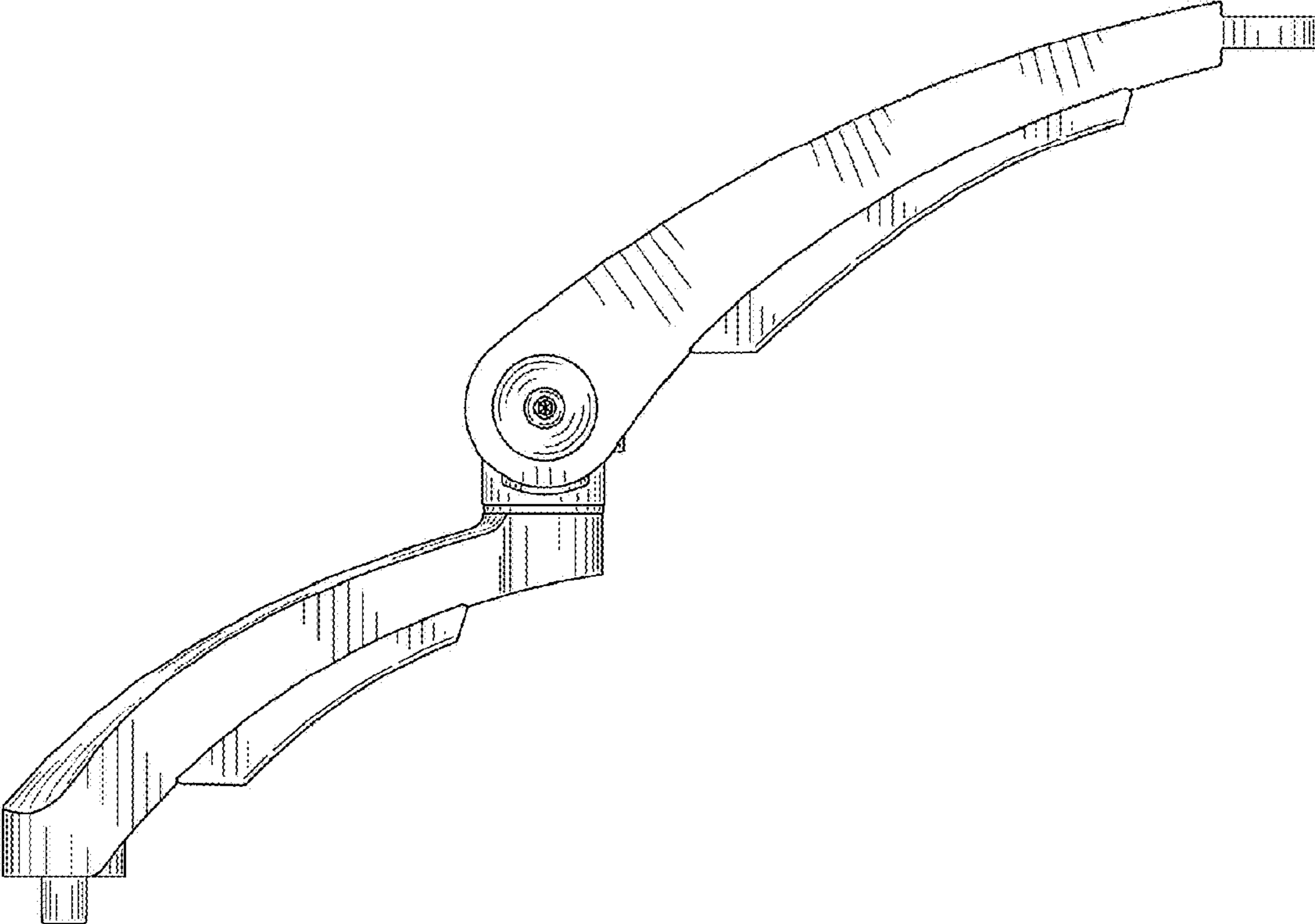


FIG.2

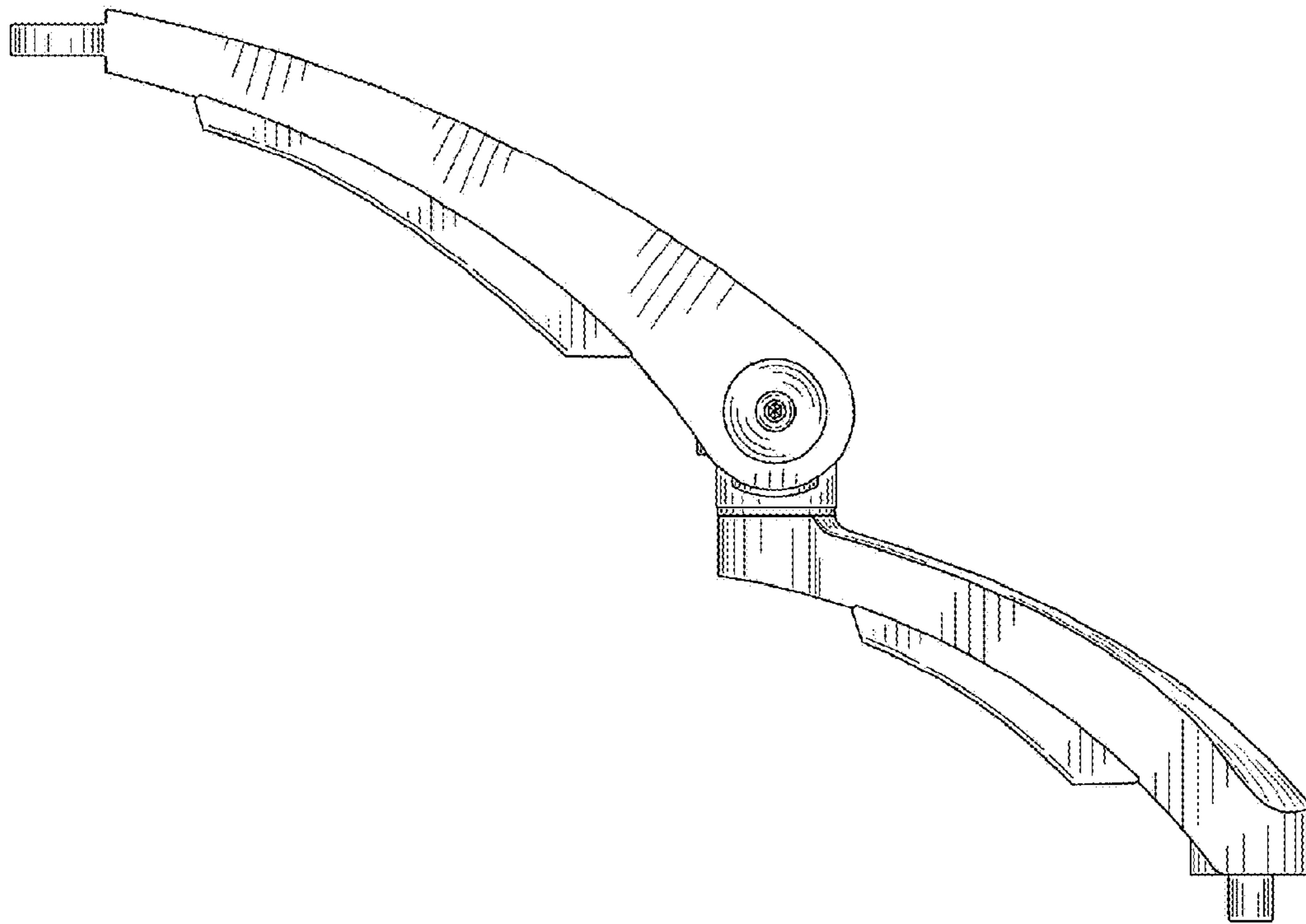


FIG.3

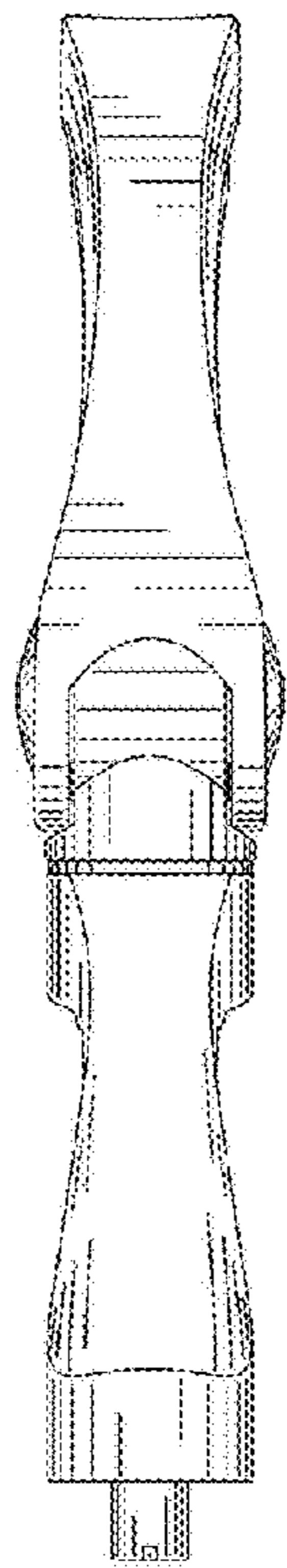


FIG.4

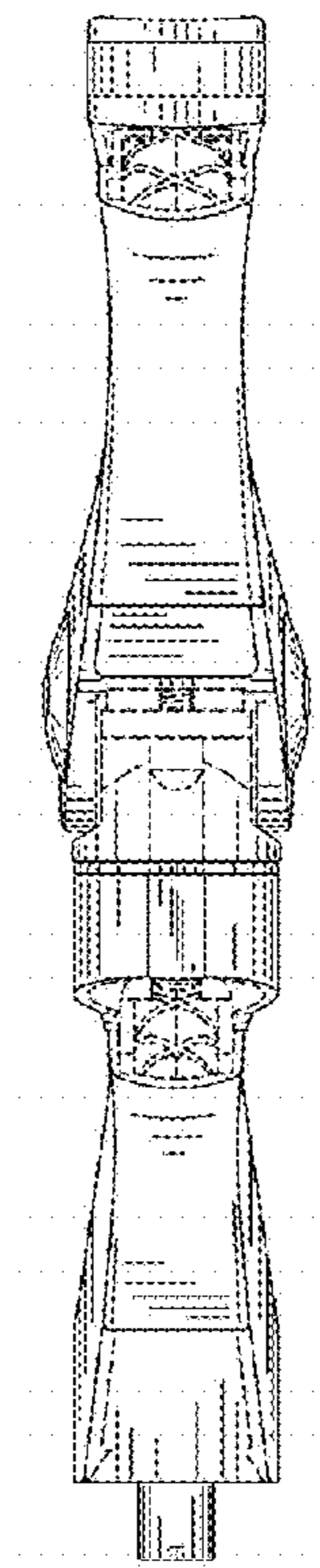


FIG.5

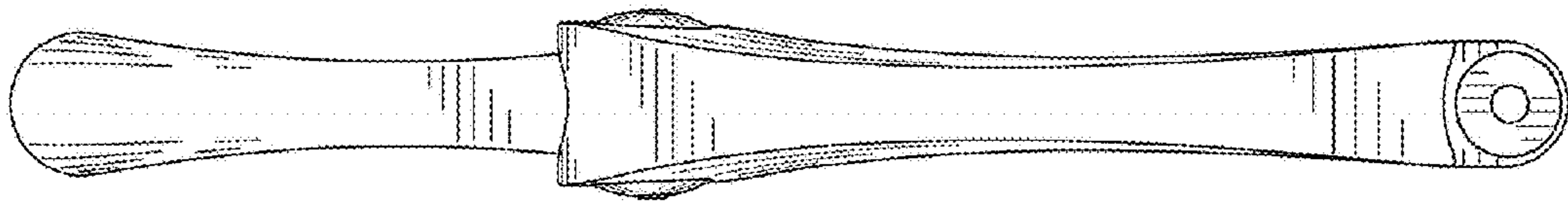


FIG. 6

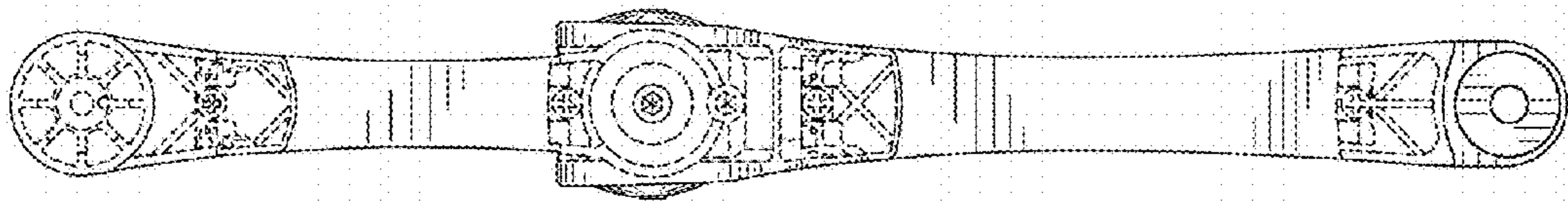


FIG. 7

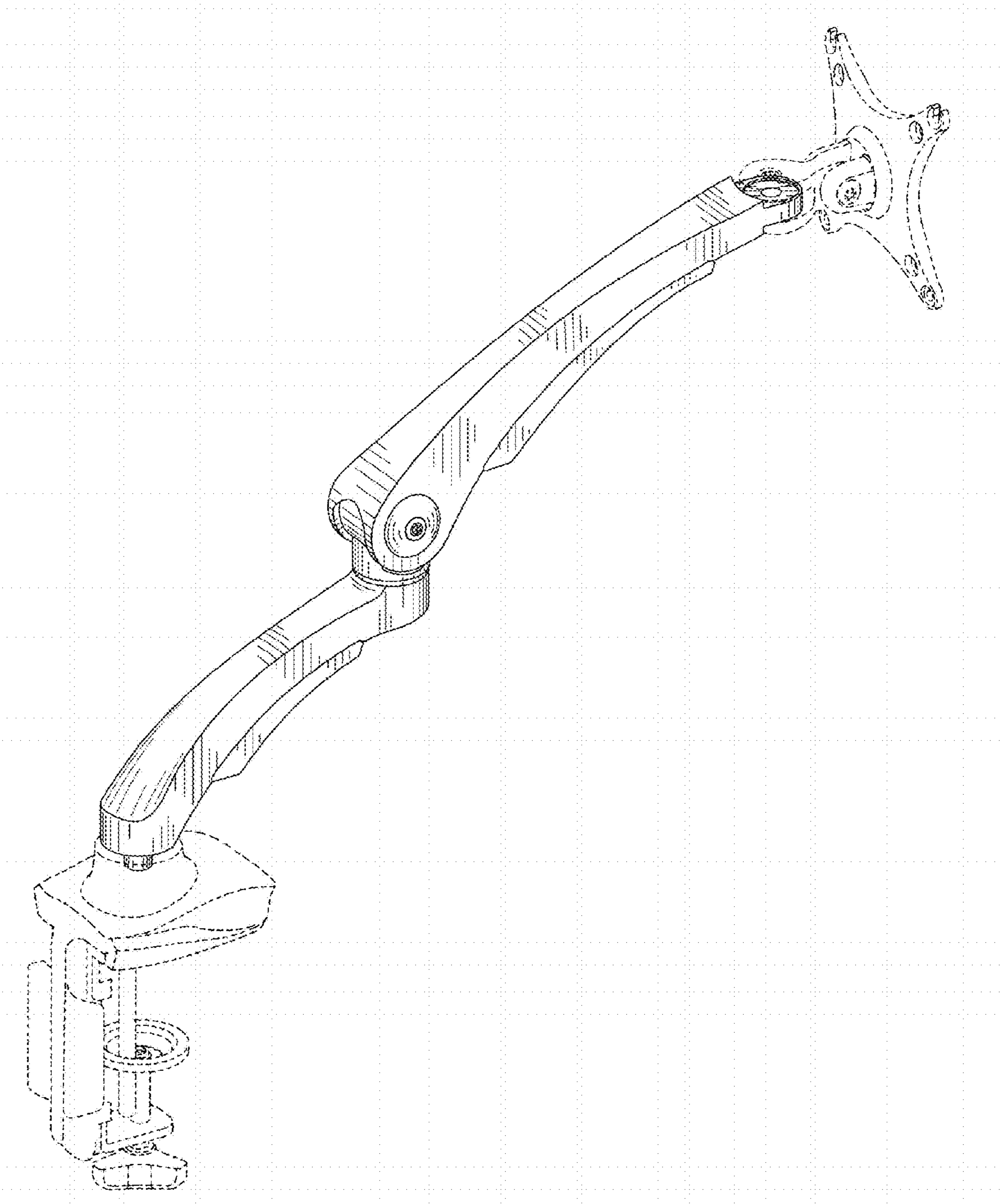


FIG.8

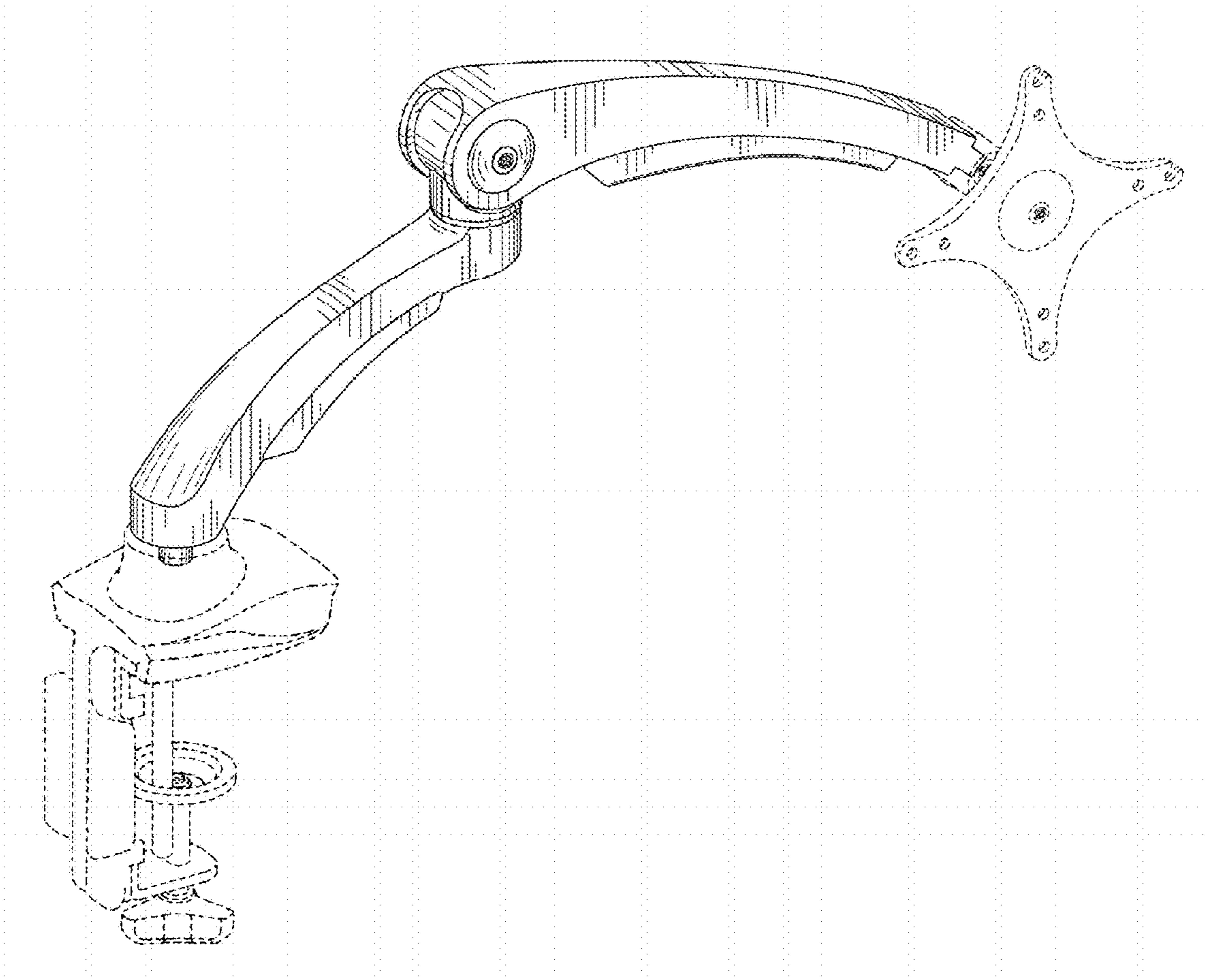


FIG.9