



US00D747178S

(12) **United States Design Patent**  
**Rothbaum et al.**

(10) **Patent No.:** **US D747,178 S**  
(45) **Date of Patent:** **\*\* Jan. 12, 2016**

(54) **STRAP FOR CORD MANAGEMENT**

FOREIGN PATENT DOCUMENTS

(71) Applicant: **CJD LLC**, New York, NY (US)

CN 201352845 Y 11/2009  
GB 2420552 A 5/2006

(72) Inventors: **Wayne Philip Rothbaum**, New York, NY (US); **Allison S. Conner**, Brooklyn, NY (US); **Robert B. Curtis**, San Francisco, CA (US); **Jonas K. Damon**, New York, NY (US); **Daniel A. Sanchez**, Brooklyn, NY (US)

(Continued)

OTHER PUBLICATIONS

CJD LLC, International Search Report and Written Opinion, PCT/US2010/031087, Apr. 29, 2011, 24 pgs.

(Continued)

(73) Assignee: **CJD LLC**, New York, NY (US)

*Primary Examiner* — Cynthia Underwood

(\*\*) Term: **14 Years**

(74) *Attorney, Agent, or Firm* — Morgan, Lewis & Bockius LLP

(21) Appl. No.: **29/519,750**

(57) **CLAIM**

The ornamental design for a strap for cord management, as shown and described.

(22) Filed: **Mar. 6, 2015**

**DESCRIPTION**

**Related U.S. Application Data**

(63) Continuation of application No. 29/491,146, filed on May 16, 2014, now Pat. No. Des. 729,616, which is a continuation of application No. 29/458,903, filed on Jun. 24, 2013, now Pat. No. Des. 708,505, which is a

The present application relates to U.S. utility patent application Ser. No. 12/761,326, filed Apr. 15, 2010, to U.S. design patent application Ser. No. 29/368,746, filed Aug. 27, 2010, and U.S. design patent application Ser. No. 29/368,754, filed Aug. 27, 2010.

(Continued)

(51) **LOC (10) Cl.** ..... **08-05**

(52) **U.S. Cl.**

USPC ..... **D8/356**

(58) **Field of Classification Search**

USPC ..... D8/367, 354, 349, 356, 1; D6/323; 248/301

CPC ..... F16B 2/00; A63B 27/00

See application file for complete search history.

FIG. 1 is a perspective view of our new design of a strap for cord management.

FIG. 2 is a top view of FIG. 1.

FIG. 3 is a bottom view of FIG. 1.

FIG. 4 is a view of a first side of FIG. 1.

FIG. 5 is a view of a second side of FIG. 1.

FIG. 6 is a view of a third side of FIG. 1.

FIG. 7 is a view of a fourth side of FIG. 1.

FIG. 8 is a perspective view of FIG. 1, shown in an alternate configuration of use with an object; and,

FIG. 9 is another perspective view of FIG. 1, shown in another alternate configuration of use with an object.

The broken lines showing elements of the strap for cord management and an environment of use are included for illustrative purposes only and form no part of the claimed design.

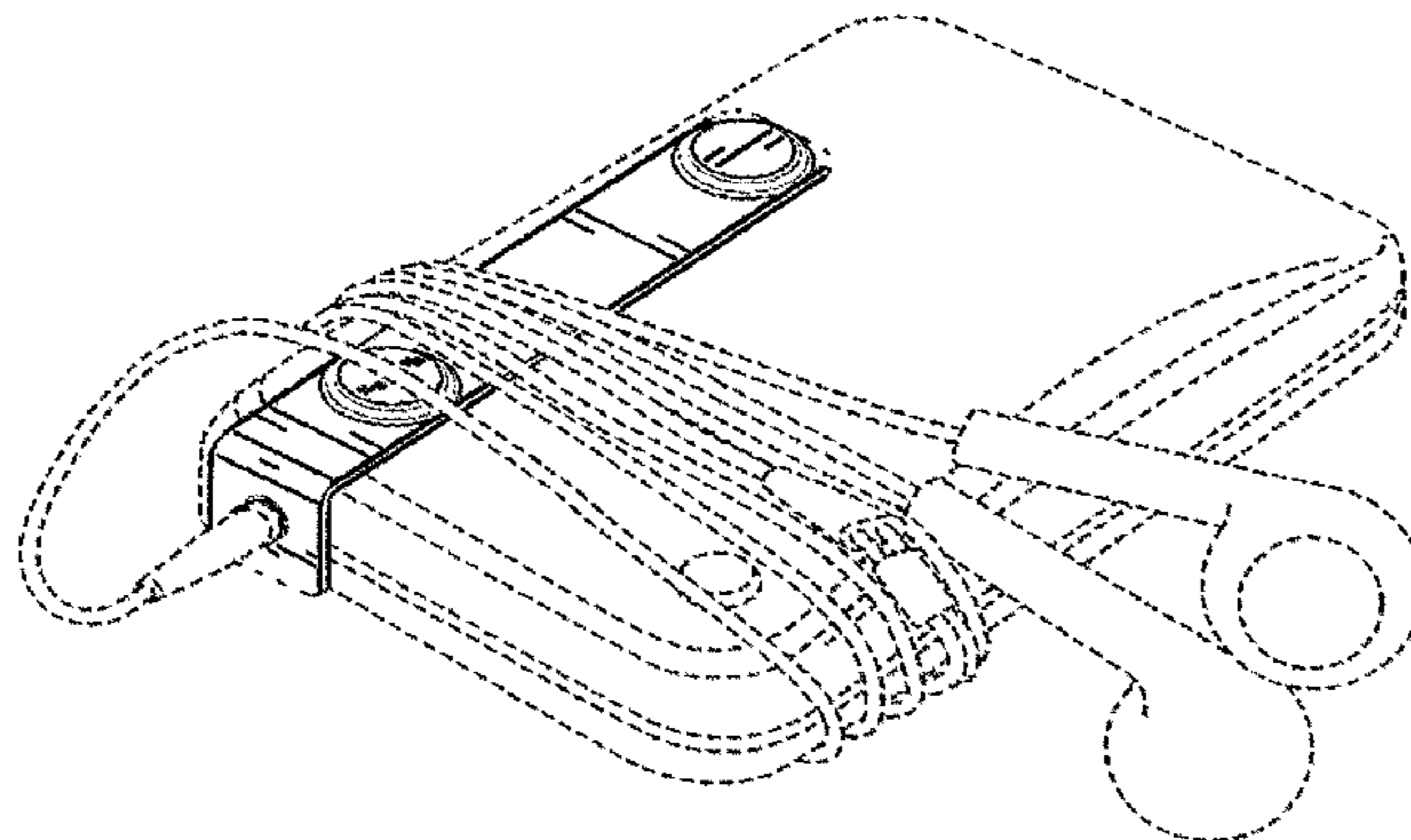
(56) **References Cited**

U.S. PATENT DOCUMENTS

D39,960 S 5/1909 Mussillon  
1,544,386 A 6/1925 Fridolph

(Continued)

**1 Claim, 6 Drawing Sheets**



**Related U.S. Application Data**

continuation of application No. 29/428,997, filed on Aug. 6, 2012, now Pat. No. Des. 685,254, which is a continuation of application No. 29/368,755, filed on Aug. 27, 2010, now Pat. No. Des. 667,291.

(56)

**References Cited**

U.S. PATENT DOCUMENTS

1,675,421 A 7/1928 Pettee et al.  
 1,722,498 A 7/1929 Fridolph  
 2,212,766 A 8/1940 Andelenis  
 2,373,328 A 4/1945 Morehouse  
 2,826,796 A 3/1958 Davis  
 2,871,592 A 2/1959 Polzin  
 2,880,008 A 3/1959 Stoner  
 2,929,596 A 3/1960 Ewing  
 2,965,939 A 12/1960 Olsson  
 3,041,697 A 7/1962 Budreck  
 3,086,529 A 4/1963 Munz et al.  
 D206,401 S 12/1966 Fisher  
 3,529,328 A 9/1970 Davison  
 D224,960 S 10/1972 Wilson  
 3,919,740 A 11/1975 Scherb  
 3,994,048 A 11/1976 Rosenthal  
 D259,242 S 5/1981 Gilb  
 4,455,719 A 6/1984 Morita  
 4,480,361 A 11/1984 Morita  
 4,597,206 A 7/1986 Benson  
 4,736,494 A 4/1988 Marchesi  
 4,815,172 A 3/1989 Ward  
 4,920,235 A 4/1990 Yamaguchi  
 4,939,818 A 7/1990 Hahn  
 4,940,427 A 7/1990 Pearson  
 4,957,232 A 9/1990 Sprague  
 4,963,410 A 10/1990 Bryant  
 5,048,158 A 9/1991 Koerner  
 5,086,543 A 2/1992 Mitchell  
 5,130,899 A 7/1992 Larkin et al.  
 5,136,759 A 8/1992 Armour, II  
 5,142,743 A 9/1992 Hahn  
 5,142,746 A 9/1992 Morita  
 5,168,603 A 12/1992 Reed  
 5,185,499 A 2/1993 Yahraus  
 5,274,889 A 1/1994 Morita  
 5,289,619 A 3/1994 Pileggi  
 D353,343 S 12/1994 Eberhardt  
 D353,990 S 1/1995 Alfreds  
 5,392,497 A 2/1995 Defner  
 D357,739 S 4/1995 Stewart et al.  
 5,402,971 A 4/1995 Bower  
 D362,176 S 9/1995 Solbeck  
 5,473,799 A 12/1995 Aoki  
 5,517,838 A 5/1996 Moore  
 5,518,214 A 5/1996 Spencer  
 D373,750 S 9/1996 Gunderson  
 5,572,773 A 11/1996 Bauer  
 5,584,452 A 12/1996 Koike  
 5,586,760 A 12/1996 Hauter  
 5,595,014 A 1/1997 Moore  
 5,604,961 A 2/1997 Cole  
 D378,578 S 3/1997 Eberhardt  
 D381,023 S 7/1997 Accardo  
 5,647,101 A 7/1997 Morita  
 D381,888 S 8/1997 Gonda et al.  
 D384,669 S 10/1997 Collier  
 5,682,653 A 11/1997 Berglof et al.  
 D390,447 S 2/1998 Colen, Jr.  
 5,722,126 A 3/1998 Reiter  
 5,732,445 A 3/1998 Stodolka et al.  
 5,732,451 A 3/1998 Mars  
 5,745,958 A 5/1998 Kaldor  
 5,802,676 A 9/1998 Tolan  
 5,806,346 A 9/1998 Schlinger et al.  
 D400,429 S 11/1998 Morita  
 D401,137 S 11/1998 Boelling

5,845,374 A 12/1998 Briggs  
 D405,352 S 2/1999 Rosenbauer  
 5,933,926 A 8/1999 Reiter  
 5,974,634 A 11/1999 Eisenpresser  
 5,983,464 A 11/1999 Bauer  
 6,006,455 A 12/1999 Miller  
 6,010,105 A 1/2000 Davis  
 6,038,743 A 3/2000 Chapman  
 6,044,525 A 4/2000 Sastre et al.  
 6,085,393 A 7/2000 Tsui et al.  
 6,087,594 A 7/2000 Chou  
 6,092,444 A \* 7/2000 Hsiao ..... 81/440  
 6,131,200 A 10/2000 McNamara  
 6,170,088 B1 1/2001 Tate  
 6,205,623 B1 3/2001 Shepard et al.  
 6,279,804 B1 8/2001 Gregg  
 6,301,754 B1 10/2001 Grunberger et al.  
 6,317,933 B1 11/2001 Suenaga  
 6,344,021 B1 2/2002 Juster et al.  
 D454,235 S 3/2002 Kaplan  
 6,405,983 B1 6/2002 Goj  
 6,427,290 B1 8/2002 Liu  
 D462,255 S 9/2002 Aoki  
 D464,562 S 10/2002 Reiter  
 6,467,132 B1 10/2002 Robley  
 6,473,946 B1 11/2002 Cheng  
 6,474,520 B1 11/2002 Finkelstein  
 6,490,767 B2 12/2002 Haiduk  
 6,499,199 B2 12/2002 Frazier  
 D471,006 S 3/2003 French  
 D471,231 S 3/2003 Mayo  
 6,581,885 B2 6/2003 Polad  
 6,588,074 B2 7/2003 Galkiewicz et al.  
 6,671,986 B2 1/2004 Reeves  
 6,676,674 B1 1/2004 Dudai  
 6,701,580 B1 3/2004 Bandyopadhyay  
 D488,374 S 4/2004 Hussaini et al.  
 D491,046 S 6/2004 Johnson  
 6,763,554 B1 7/2004 Torrey et al.  
 D495,972 S 9/2004 Pettingill  
 6,880,270 B2 4/2005 Prather  
 D505,785 S 6/2005 Woody  
 D511,450 S 11/2005 Seth  
 6,978,521 B2 12/2005 Morita  
 6,992,253 B1 1/2006 Spellman et al.  
 7,025,509 B2 4/2006 Martin  
 7,039,958 B2 5/2006 Henricksen  
 7,080,430 B2 7/2006 Wemmer  
 7,096,544 B2 8/2006 Lusardi  
 7,213,278 B2 5/2007 Peterson et al.  
 7,222,796 B2 5/2007 Taras  
 D543,833 S 6/2007 Folk et al.  
 7,334,354 B2 2/2008 Foxen et al.  
 D566,526 S 4/2008 Robbins, III et al.  
 D567,630 S 4/2008 Brassard  
 D567,631 S 4/2008 Brassard  
 7,356,888 B2 4/2008 Chao et al.  
 D572,156 S 7/2008 Payne  
 D580,257 S 11/2008 Squyres  
 7,448,689 B2 11/2008 Carter et al.  
 7,516,591 B2 4/2009 Wolner et al.  
 7,543,359 B2 6/2009 Moughelbay et al.  
 D597,514 S 8/2009 Gencarella et al.  
 D599,196 S 9/2009 Ruffin et al.  
 7,624,480 B2 12/2009 Coronel  
 7,640,636 B2 1/2010 Clark  
 D611,317 S 3/2010 McGrath et al.  
 D613,137 S 4/2010 Wieberdink et al.  
 7,703,577 B1 4/2010 Zach et al.  
 7,712,696 B2 5/2010 Loh  
 D617,668 S 6/2010 Lodi  
 7,731,069 B2 6/2010 Lopreiato  
 D619,883 S 7/2010 Hansort  
 D619,884 S 7/2010 Hansort  
 D624,378 S 9/2010 Wysopal  
 7,793,892 B1 9/2010 Bowen et al.  
 D625,579 S 10/2010 Lee et al.  
 D631,327 S 1/2011 Maraia  
 D631,328 S 1/2011 Chen

(56)

References Cited

U.S. PATENT DOCUMENTS

D631,780 S 2/2011 Levy  
 7,914,475 B2 3/2011 Wyatt et al.  
 D636,659 S 4/2011 Rothbaum et al.  
 D639,963 S 6/2011 Kase  
 D644,138 S 8/2011 Webb  
 8,002,159 B2 8/2011 Cragg  
 D645,333 S 9/2011 Rothbaum et al.  
 D652,756 S 1/2012 Lans  
 8,103,352 B2 1/2012 Fried et al.  
 D654,052 S 2/2012 Lee et al.  
 D658,484 S 5/2012 Wall  
 D660,740 S 5/2012 Cullen et al.  
 D662,087 S 6/2012 Peller  
 8,203,077 B2 6/2012 Honeycutt et al.  
 D664,831 S 8/2012 Scherer  
 D666,076 S 8/2012 Muratore et al.  
 D666,896 S 9/2012 Pinholster, Jr. et al.  
 D667,043 S 9/2012 Couch, III  
 8,261,416 B2 9/2012 Rothbaum et al.  
 D675,123 S 1/2013 Nunez  
 D676,425 S 2/2013 Nishimura et al.  
 D676,733 S 2/2013 Zach et al.  
 8,366,058 B2 2/2013 Tiedemann, Sr.  
 D677,652 S 3/2013 Gifford  
 8,413,306 B2 4/2013 Gallant et al.  
 D684,845 S \* 6/2013 Wood ..... D8/356  
 8,453,899 B1 6/2013 Calkin  
 8,458,864 B1 6/2013 Patton et al.  
 D693,992 S 11/2013 Dinunzio  
 8,590,823 B2 11/2013 Rothbaum et al.  
 8,615,849 B2 \* 12/2013 Rothbaum et al. .... 24/16 R  
 D707,831 S 6/2014 Klutts  
 D710,969 S 8/2014 Bradford et al.  
 D712,295 S 9/2014 Ennis et al.  
 D717,132 S 11/2014 Van Dyke  
 D718,170 S 11/2014 Aumiller et al.  
 8,910,347 B1 12/2014 Wilcox  
 D729,045 S \* 5/2015 Cavanaugh et al. .... D8/356  
 D732,933 S \* 6/2015 Jansen ..... D8/356  
 2001/0013277 A1 8/2001 Galkiewicz et al.  
 2001/0035242 A1 11/2001 Hughs et al.  
 2002/0033271 A1 3/2002 Fritschle et al.  
 2002/0065115 A1 5/2002 Lindholm  
 2002/0073516 A1 6/2002 Behar  
 2002/0078536 A1 6/2002 Martin et al.  
 2002/0112323 A1 8/2002 Nire  
 2002/0139823 A1 10/2002 Johnson  
 2003/0110596 A1 6/2003 Graham et al.  
 2003/0167605 A1 9/2003 Schultz  
 2004/0003487 A1 1/2004 Reiter  
 2004/0167456 A1 8/2004 Kingsford et al.  
 2005/0016760 A1 1/2005 Vasichek  
 2005/0025329 A1 2/2005 Lee  
 2005/0255898 A1 11/2005 Huang  
 2006/0008106 A1 1/2006 Harper  
 2006/0032032 A1 2/2006 Cheng  
 2006/0121962 A1 6/2006 Kohli  
 2006/0178041 A1 8/2006 Lund et al.  
 2006/0186150 A1 8/2006 Willows et al.  
 2006/0206986 A1 9/2006 Straiton  
 2007/0086617 A1 4/2007 Loh  
 2007/0152008 A1 7/2007 Case  
 2008/0041897 A1 2/2008 Malhotra  
 2008/0083096 A1 4/2008 Wilkinson  
 2008/0149679 A1 6/2008 Case et al.  
 2008/0164157 A1 7/2008 Sween et al.  
 2009/0013504 A1 1/2009 Crespo  
 2009/0016559 A1 1/2009 Cleary  
 2009/0314515 A1 12/2009 Bevirt et al.

FOREIGN PATENT DOCUMENTS

JP 63-125493 U 8/1988  
 JP 11-317995 A 11/1999

JP 2001-169381 A 6/2001  
 JP 2003-230418 A 8/2003  
 JP 2003-319484 A 11/2003  
 JP 2006-081130 A 3/2006  
 JP 2006-222712 A 8/2006  
 JP 2009-212918 A 9/2009  
 KR 20-0301311 1/2003  
 WO WO 2004/71056 A1 8/2004

OTHER PUBLICATIONS

Earbud Clips, [www.wetjetset.com/store/item/42](http://www.wetjetset.com/store/item/42), printed Jun. 7, 2010, 3 pgs.  
 Headphone Cable Tidy—Pack of 3—Accessories for PDA, Smartphone . . . . , [www.proporta.com/F02/PPF02P05.php?t\\_id=4452&t\\_mode=des](http://www.proporta.com/F02/PPF02P05.php?t_id=4452&t_mode=des) . . . printed Jun. 7, 2010, 2 pgs.  
 Quogue Capital LLC, International Search Report and Written Opinion, PCT/US2009/067927, Jul. 14, 2010, 8 pgs.  
 Rothbaum, International Search Report and Written Opinion, PCT/US2010/053244, Jun. 24, 2011, 22 pgs.  
 Rothbaum, Notice of Allowance, U.S. Appl. No. 29/368,746, filed Dec. 29, 2010, 8 pgs.  
 Rothbaum, Notice of Allowance, U.S. Appl. No. 29/368,755, filed May 15, 2012, 8 pgs.  
 Rothbaum, Notice of Allowance, U.S. Appl. No. 29/388,372, filed Jul. 14, 2011, 5 pgs.  
 Rothbaum, Notice of Allowance, U.S. Appl. No. 29/401,359, filed Nov. 15, 2012, 7 pgs.  
 Rothbaum, Notice of Allowance, U.S. Appl. No. 29/401,359, filed Mar. 22, 2013, 12 pgs.  
 Rothbaum, Notice of Allowance, U.S. Appl. No. 29/401,360, filed Sep. 28, 2012, 5 pgs.  
 Rothbaum, Notice of Allowance, U.S. Appl. No. 29/401,643, filed Sep. 18, 2012, 8 pgs.  
 Rothbaum, Notice of Allowance, U.S. Appl. No. 29/401,930, filed Nov. 23, 2012, 7 pgs.  
 Rothbaum, Notice of Allowance, U.S. Appl. No. 29/428,997, filed Feb. 27, 2013, 7 pgs.  
 Rothbaum, Notice of Allowance, U.S. Appl. No. 29/443,386, filed Aug. 6, 2013, 6 pgs.  
 Rothbaum, Notice of Allowance, U.S. Appl. No. 29/443,386, filed Nov. 14, 2013, 9 pgs.  
 Rothbaum, Notice of Allowance, U.S. Appl. No. 29/443,386, filed Feb. 26, 2014, 7 pgs.  
 Rothbaum, Notice of Allowance, U.S. Appl. No. 29/443,387, filed May 24, 2013, 8 pgs.  
 Rothbaum, Notice of Allowance, U.S. Appl. No. 29/443,389, filed Aug. 6, 2013, 6 pgs.  
 Rothbaum, Notice of Allowance, U.S. Appl. No. 29/443,389, filed Nov. 14, 2013, 8 pgs.  
 Rothbaum, Notice of Allowance, U.S. Appl. No. 29/444,911, filed Jan. 15, 2014, 6 pgs.  
 Rothbaum, Notice of Allowance, U.S. Appl. No. 29/444,911, filed Sep. 25, 2013, 8 pgs.  
 Rothbaum, Notice of Allowance, U.S. Appl. No. 29/458,903, filed Nov. 4, 2013, 8 pgs.  
 Rothbaum, Notice of Allowance, U.S. Appl. No. 29/458,903, filed Feb. 19, 2014, 7 pgs.  
 Rothbaum, Notice of Allowance, U.S. Appl. No. 29/465,282, filed Feb. 14, 2014, 7 pgs.  
 Rothbaum, Notice of Allowance, U.S. Appl. No. 29/465,282, filed Oct. 25, 2013, 8 pgs.  
 Rothbaum, Notice of Allowance, U.S. Appl. No. 29/485,515, filed Jan. 7, 2015, 7 pgs.  
 Rothbaum, Notice of Allowance, U.S. Appl. No. 29/488,367, filed Jan. 9, 2015, 7 pgs.  
 Rothbaum, Notice of Allowance, U.S. Appl. No. 29/491,146, filed Jan. 8, 2015, 8 pgs.  
 Rothbaum, Notice of Allowance, U.S. Appl. No. 29/492,497, filed Jan. 7, 2015, 7 pgs.  
 Rothbaum, Notice of Allowance, U.S. Appl. No. 29/506,796, filed Apr. 6, 2015, 7 pgs.

(56)

**References Cited**

OTHER PUBLICATIONS

Rothbaum, Office Action, U.S. Appl. No. 29/368,754, filed Jul. 19, 2011, 5 pgs.

Sumajin smartwrap earphone cord manager, [www.ilounge.com](http://www.ilounge.com), Jun. 7, 2010, 3 pgs.

Use magnetic paper clips to keep cords from tangling, Jun. 7, 2010, 5 pgs.

\* cited by examiner

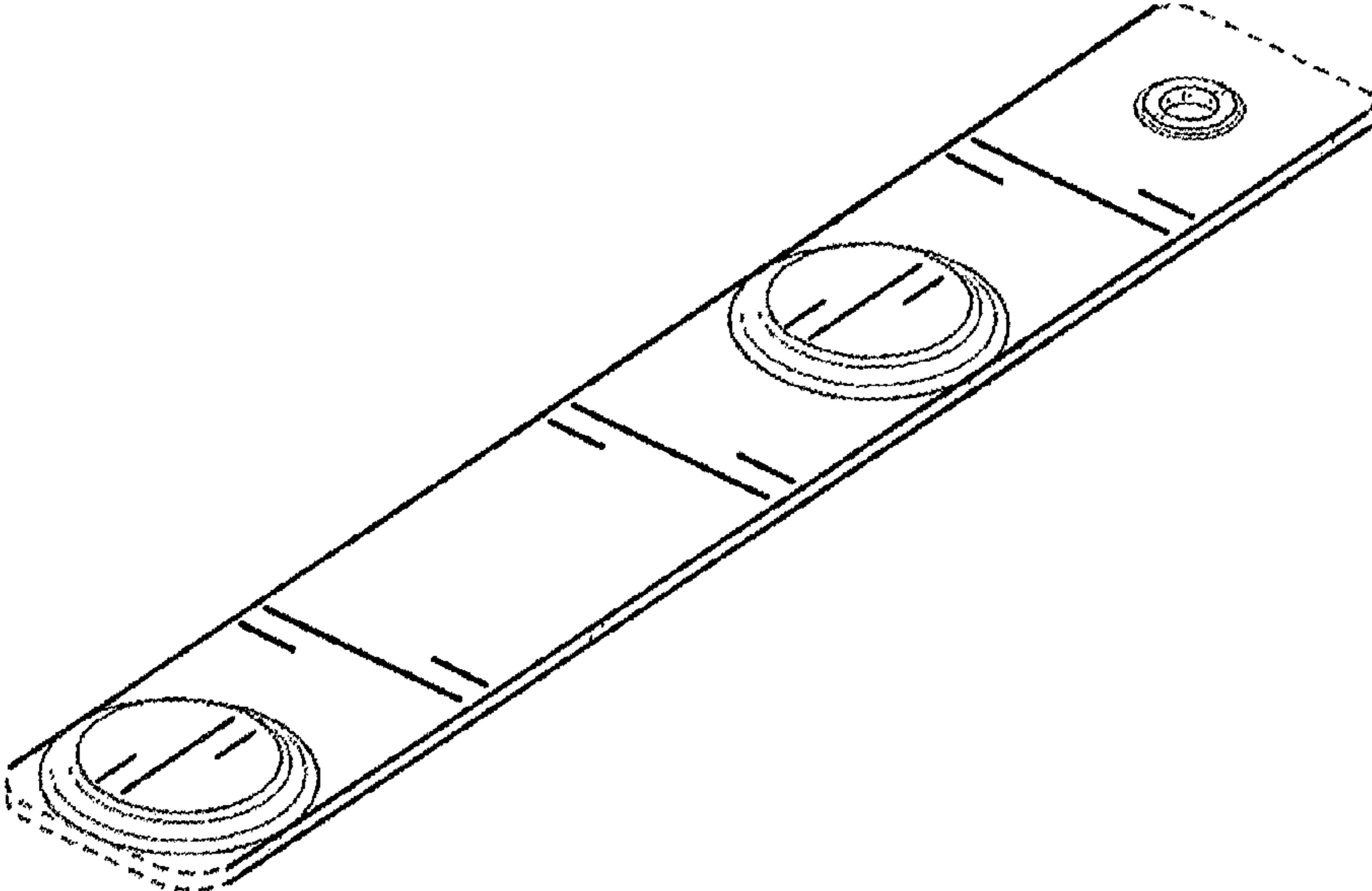


FIG. 1

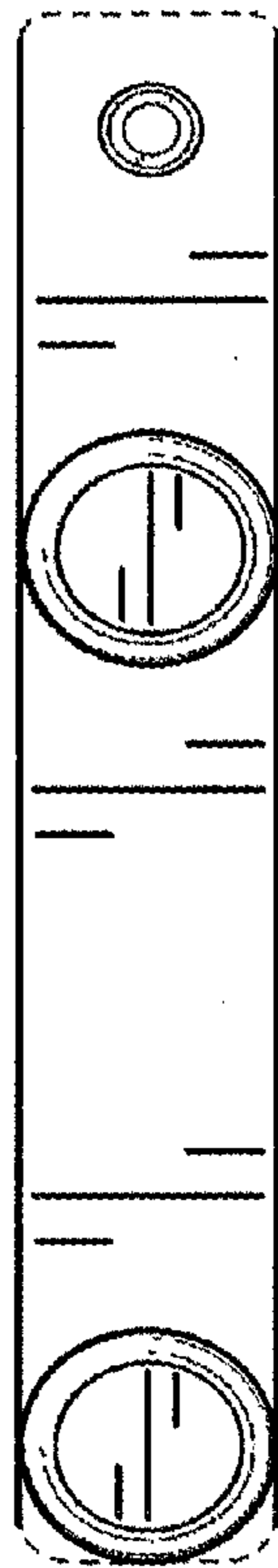


FIG. 2

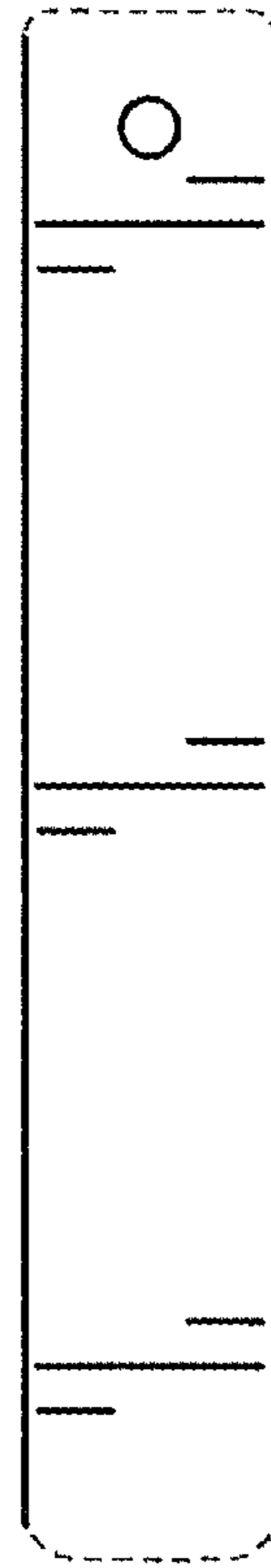


FIG. 3



FIG. 4



FIG. 5

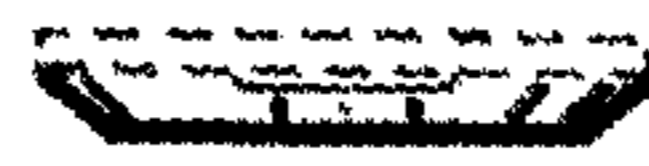


FIG. 6



FIG. 7



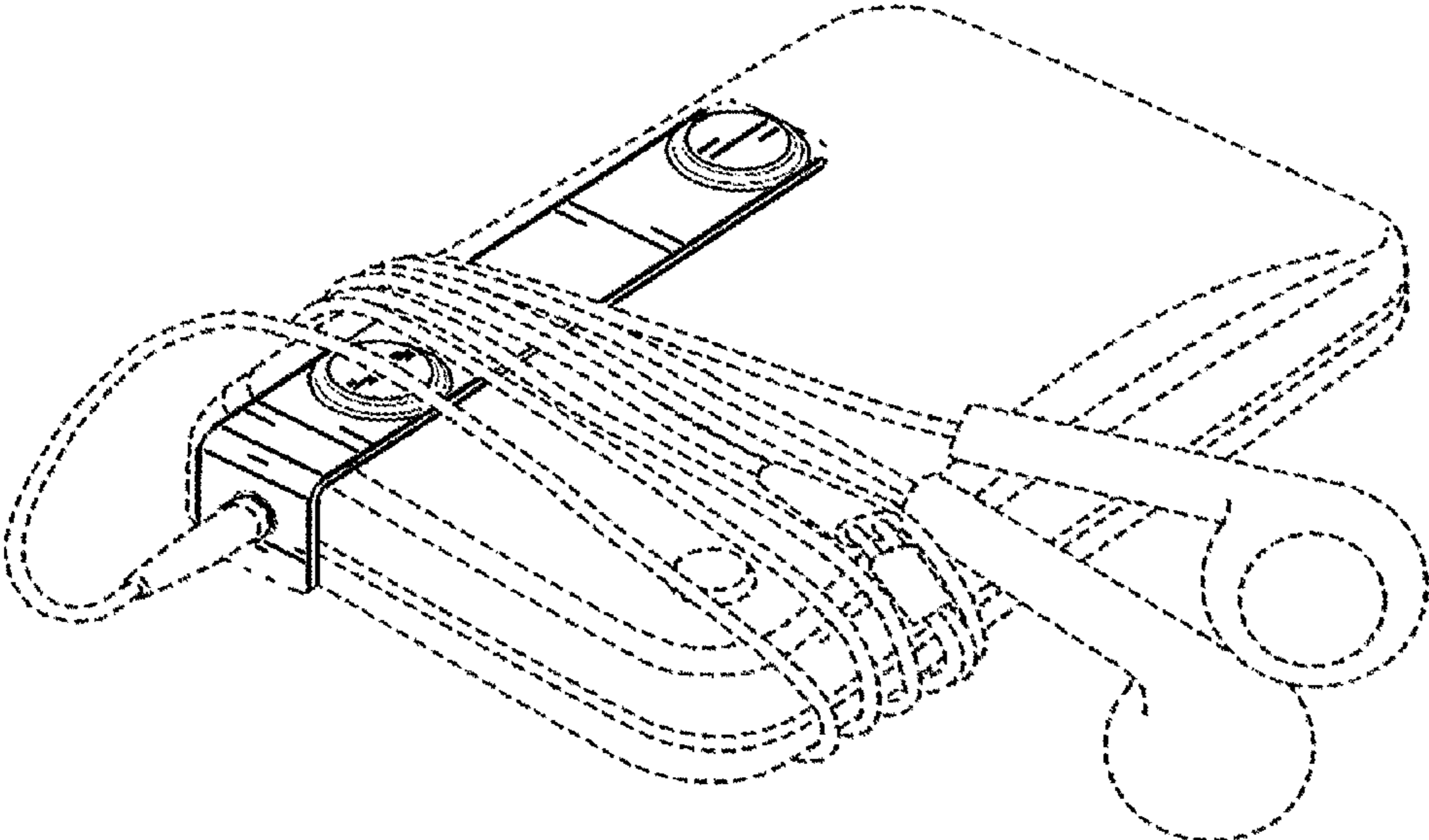


FIG. 8

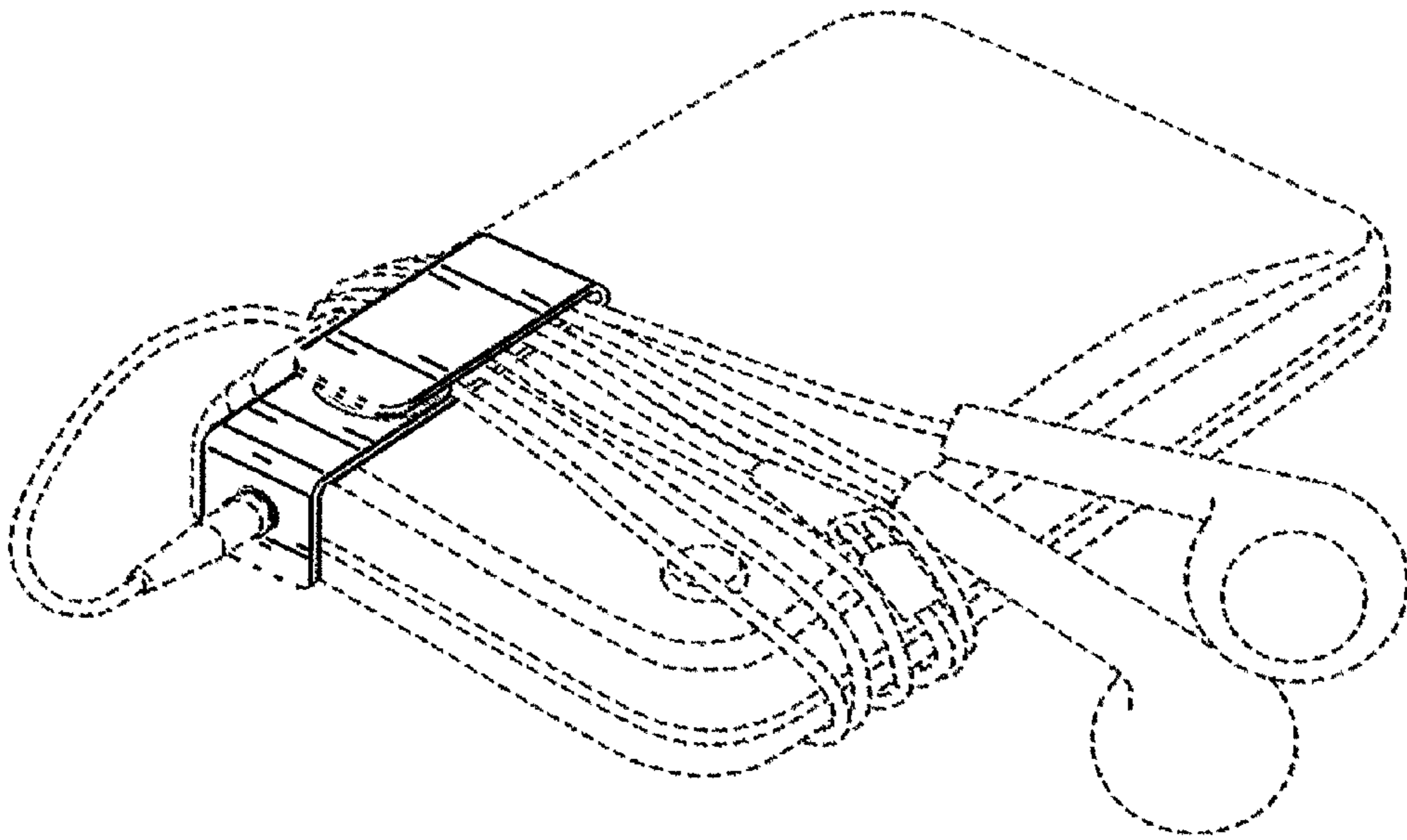


FIG. 9