

US00D747177S

(12) **United States Design Patent**
McGinty et al.

(10) **Patent No.:** **US D747,177 S**
(45) **Date of Patent:** **** Jan. 12, 2016**

- (54) **MOUNTING BRACKET FOR HOLDING A CYLINDRICAL CAN**
- (71) Applicant: **Michael P. Ziaylek**, Yardley, PA (US)
- (72) Inventors: **W. Brian McGinty**, Huntingdon Valley, PA (US); **Michael P. Ziaylek**, Yardley, PA (US); **Theodore P. Ziaylek**, Yardley, PA (US)
- (73) Assignee: **Michael P. Ziaylek**, Yardley, PA (US)
- (**) Term: **14 Years**
- (21) Appl. No.: **29/474,048**
- (22) Filed: **May 13, 2014**
- (51) **LOC (10) Cl.** **08-08**
- (52) **U.S. Cl.**
USPC **D8/349; D8/380**
- (58) **Field of Classification Search**
USPC D8/349, 354, 366, 371, 373, 374, 400, D8/380, 363; D16/201, 202, 203, 204, D16/237, 239, 240, 242; D23/385; 362/147; 248/343, 342, 345
CPC B60S 1/50; B60S 1/46; B01D 46/0005; B01D 2265/028; F02C 7/055; E05C 5/02; E05B 65/006; Y10T 24/45105; Y10T 292/0867
See application file for complete search history.

2,903,225 A	9/1959	Weinstein	
D188,000 S	5/1960	Shanok et al.	
3,193,232 A	7/1965	Hatcher	
3,224,644 A	12/1965	Davis	
3,224,720 A	12/1965	Hain	
3,317,171 A	5/1967	Kramer	
D222,903 S *	2/1972	Griffith	D8/380
3,814,293 A	6/1974	Daves	
3,921,950 A	11/1975	Sentinella	
3,982,716 A	9/1976	Trees	
D267,227 S	12/1982	Ziaylek, Jr.	
4,379,541 A	4/1983	Harkness	
4,444,358 A *	4/1984	Spohn et al.	239/284.1
4,750,095 A *	6/1988	Huang	362/190
D322,211 S *	12/1991	Gary	D8/373
5,071,100 A	12/1991	Sweeny	
D337,514 S *	7/1993	Nasca	D8/373
D337,851 S *	7/1993	Gary	D26/138
5,318,266 A	6/1994	Liu	
D369,957 S *	5/1996	Blanton	D8/373
D394,381 S	5/1998	Ziaylek, Jr. et al.	
5,749,490 A	5/1998	Keicher	
5,975,475 A	11/1999	Chaplin	
6,059,245 A	5/2000	Hermansen et al.	

(Continued)

Primary Examiner — Mark Goodwin
(74) Attorney, Agent, or Firm — Fox Rothschild, LLP

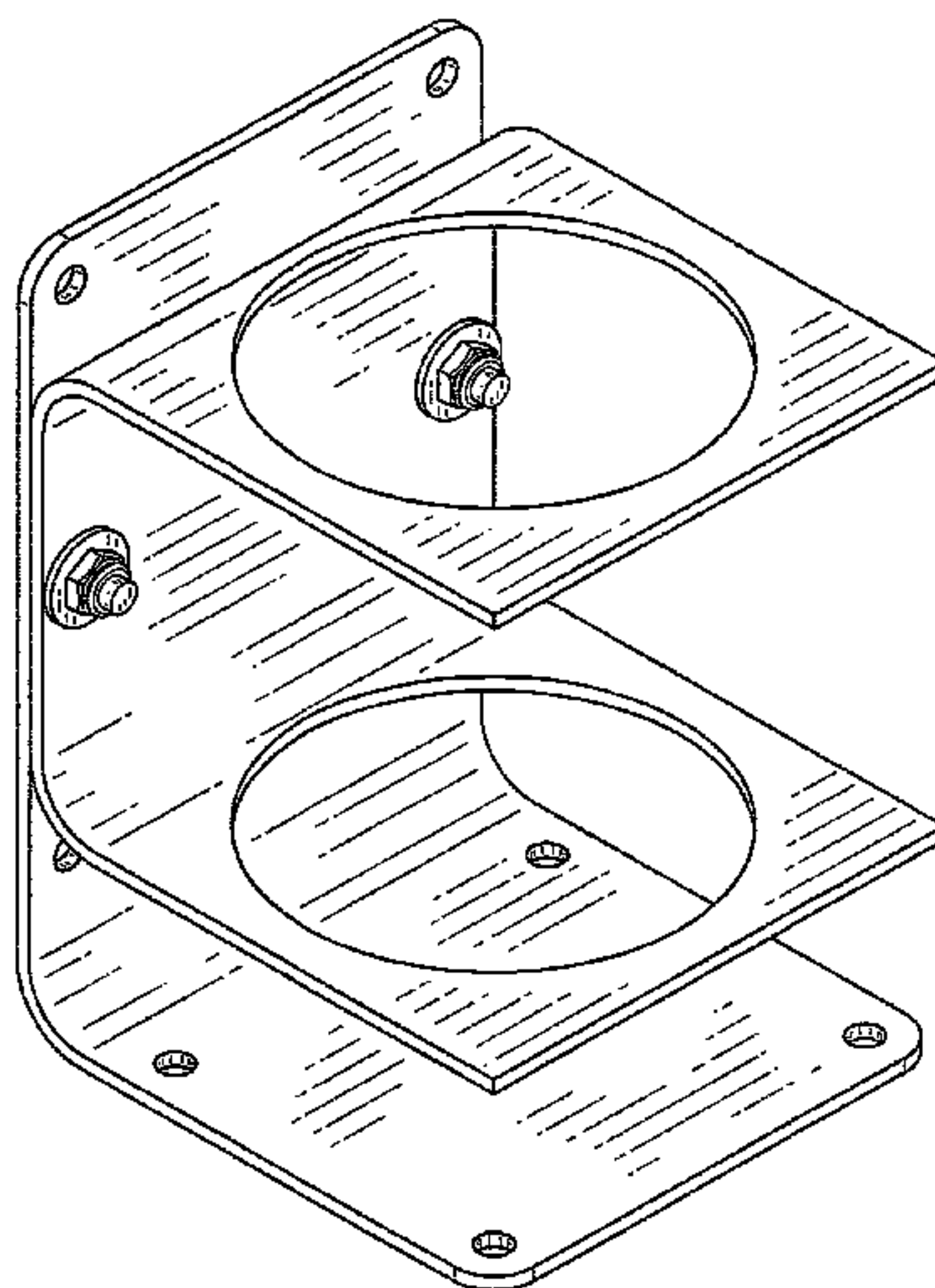
(57) **CLAIM**
The ornamental design for a mounting bracket for holding a cylindrical can, as shown.

DESCRIPTION

FIG. 1 is a front three-quarter perspective view of a mounting bracket for holding a cylindrical can showing our new design; FIG. 2 is a front view thereof; FIG. 3 is a rear view thereof; FIG. 4 is a right side view thereof; FIG. 5 is a left side view thereof; FIG. 6 is a top plan view thereof; and, FIG. 7 is a bottom plan view thereof.

1 Claim, 7 Drawing Sheets

- (56) **References Cited**
U.S. PATENT DOCUMENTS
- 1,633,083 A 6/1927 Fite, Jr.
- 1,829,353 A 10/1931 Hogan
- 1,848,085 A * 3/1932 Eisenschmidt 403/187
- 1,858,144 A 5/1932 Fariello
- 2,029,051 A 1/1936 Blevins
- 2,168,136 A 8/1939 Playfair et al.
- 2,200,024 A 5/1940 De Sipio et al.
- 2,431,698 A 12/1947 Lombard



(56)

References Cited

U.S. PATENT DOCUMENTS

6,086,312	A	7/2000	Ziaylek et al.	D522,180	S	5/2006	Goria, II
6,520,123	B2	2/2003	Parker et al.	7,562,853	B2	7/2009	Mazzola
D480,294	S	10/2003	Ziaylek, Jr. et al.	D632,450	S	2/2011	Agoncillo et al.
6,685,153	B2	2/2004	Foreman	D668,379	S	* 10/2012	Storey D26/138
D494,049	S	* 8/2004	Ziaylek et al. D8/373	8,313,261	B1	11/2012	Mah
6,779,770	B2	8/2004	Kaupp	8,382,419	B2	2/2013	Agoncillo et al.
6,808,149	B1	10/2004	Sendowski et al.	8,459,316	B2	6/2013	Suero Castaño et al.
D503,832	S	4/2005	Kennon	D685,530	S	7/2013	Hewitt
6,889,947	B2	5/2005	Alberts	8,517,193	B1	8/2013	Small
6,951,328	B1	10/2005	Drapeau et al.	8,534,629	B2	9/2013	Hennings et al.
				2013/0092708	A1	4/2013	Geiberger
				2013/0334269	A1	12/2013	Cardonna et al.

* cited by examiner

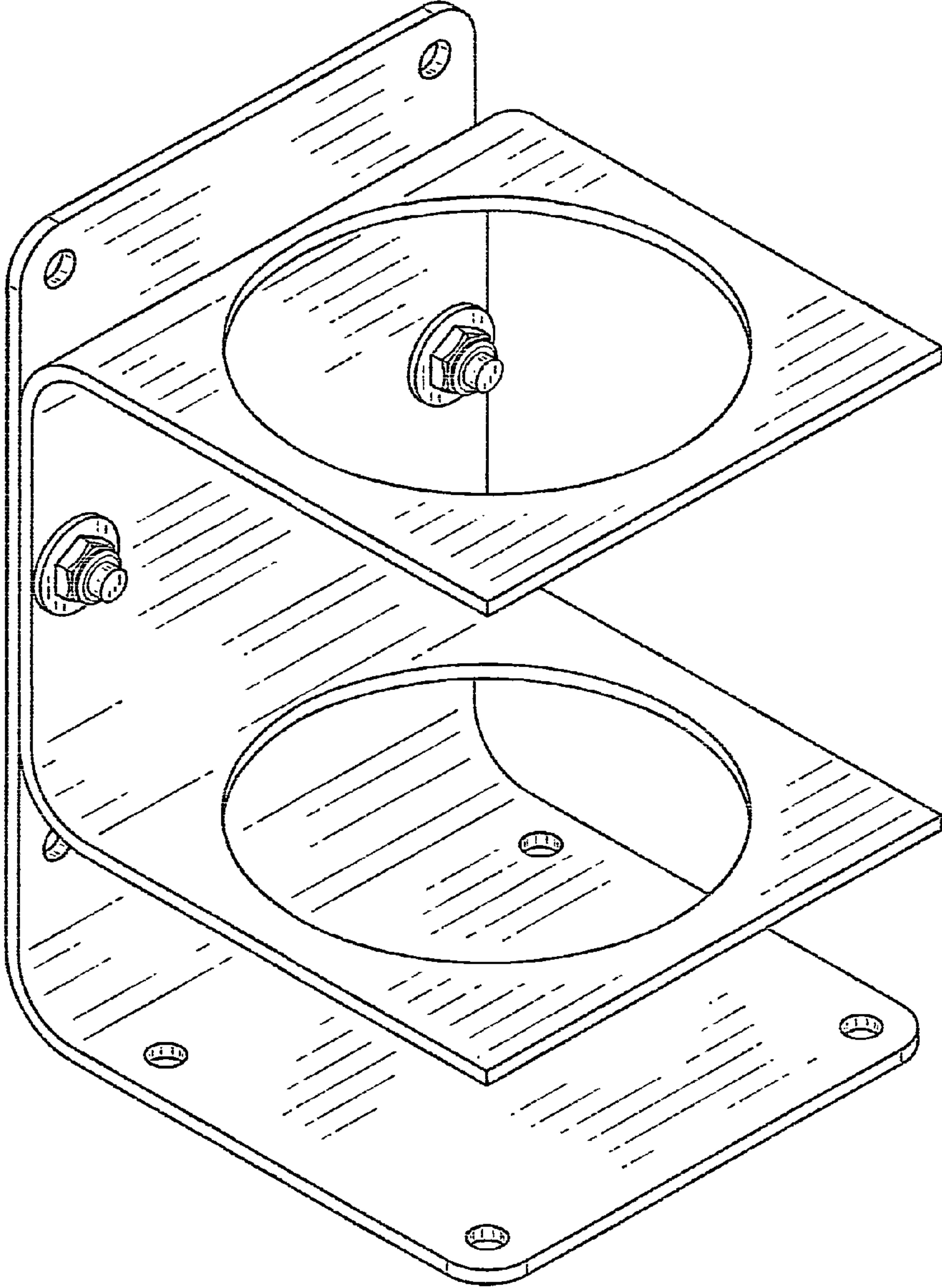


FIG. 1

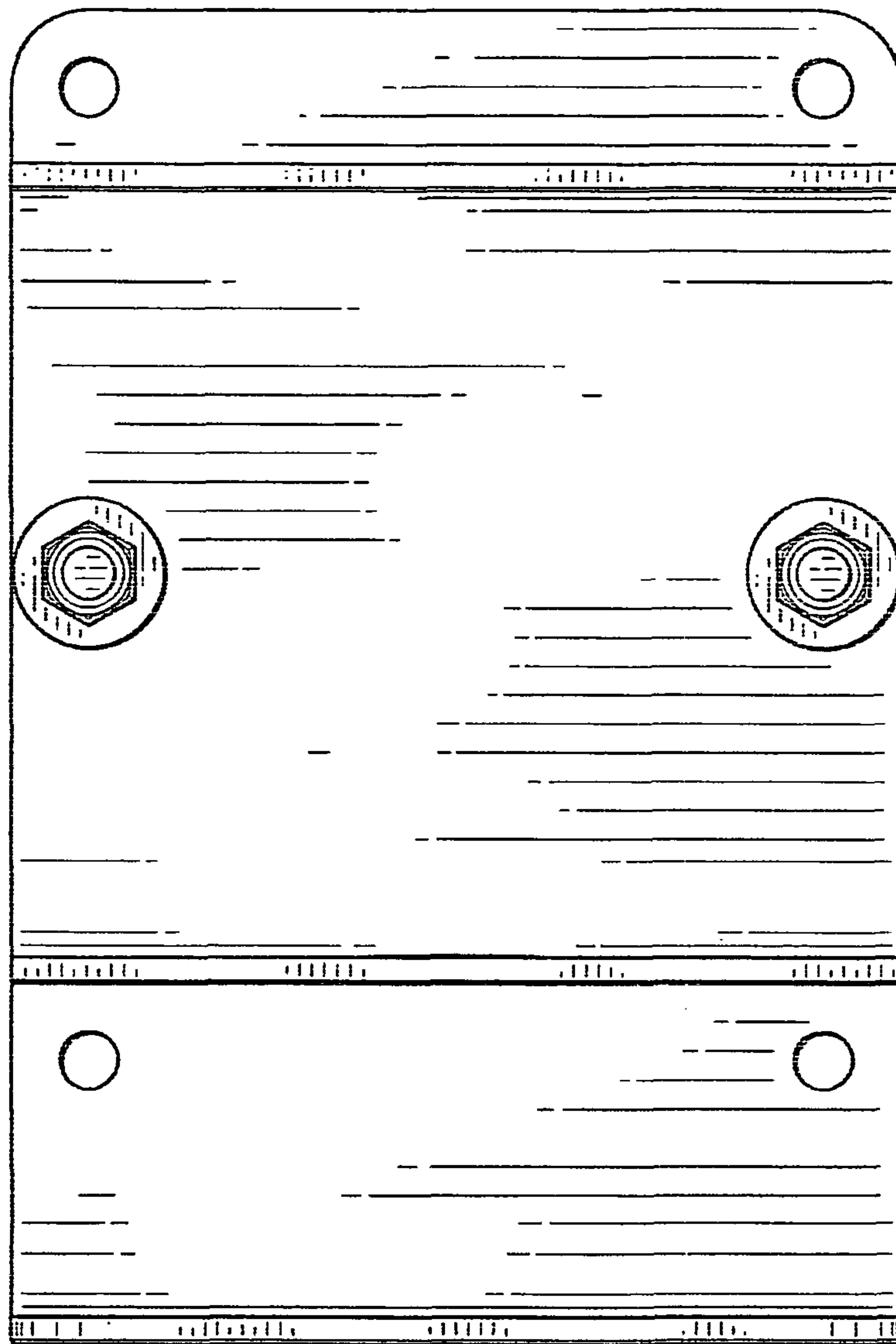


FIG. 2

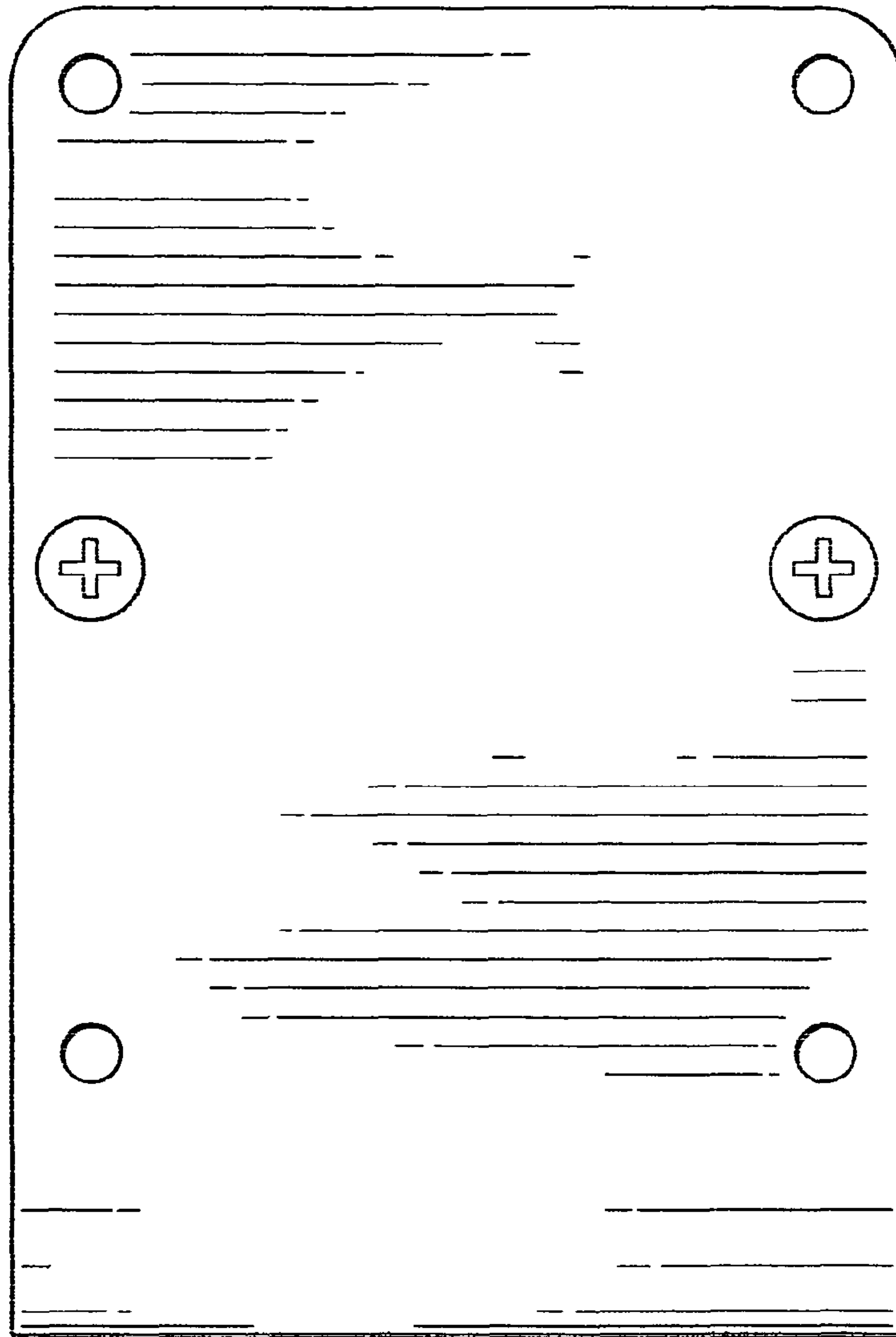


FIG. 3

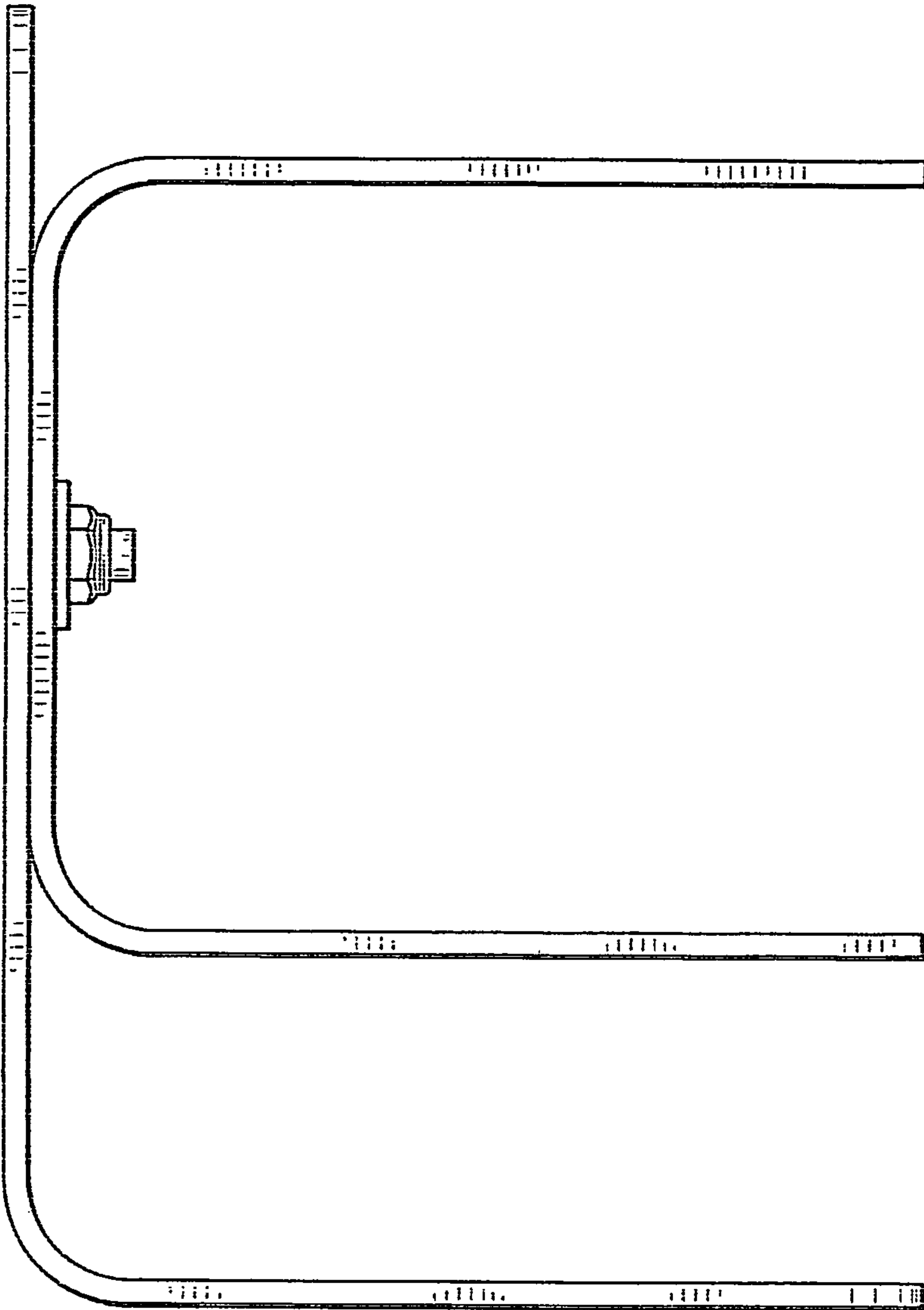


FIG. 4

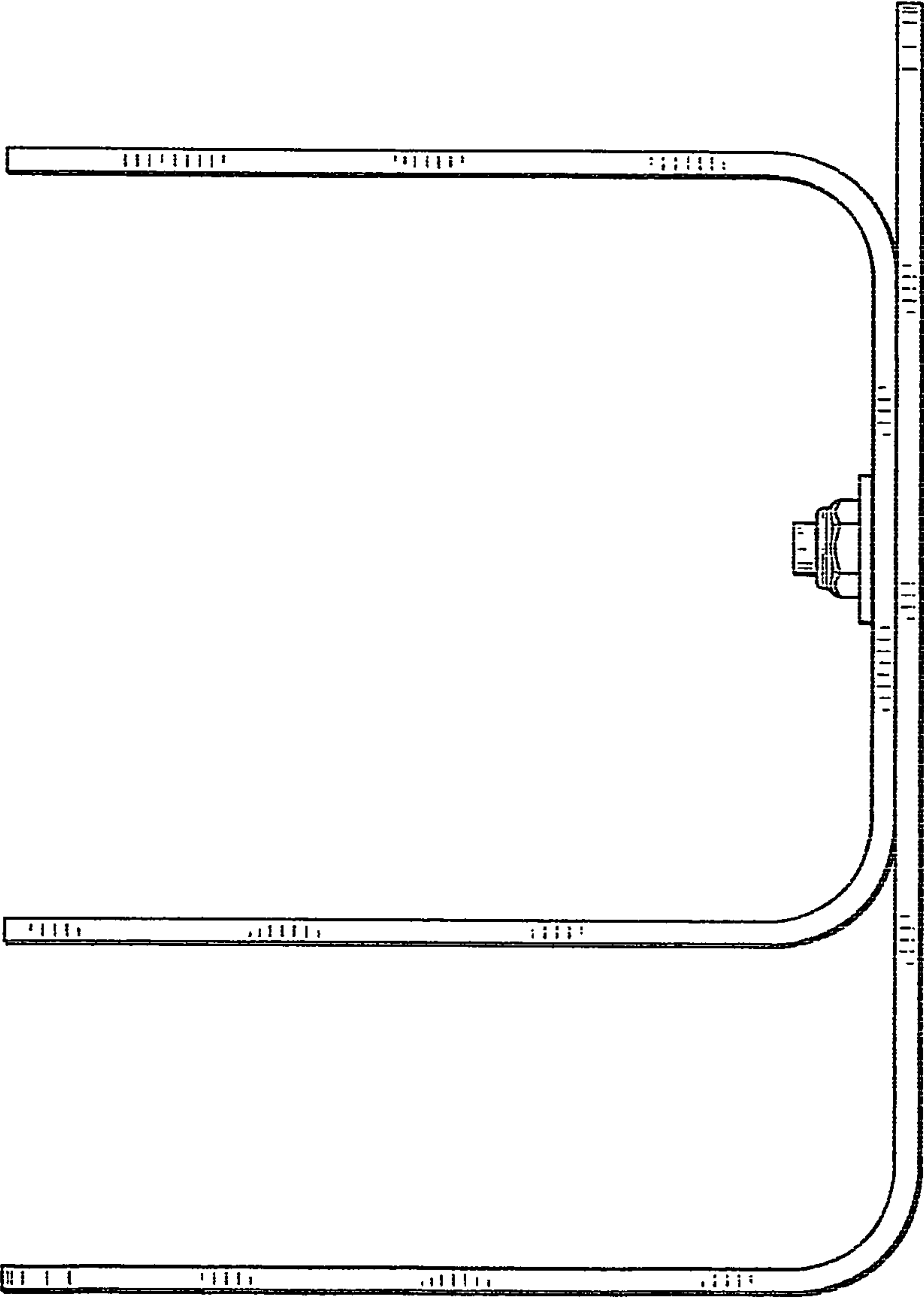


FIG. 5

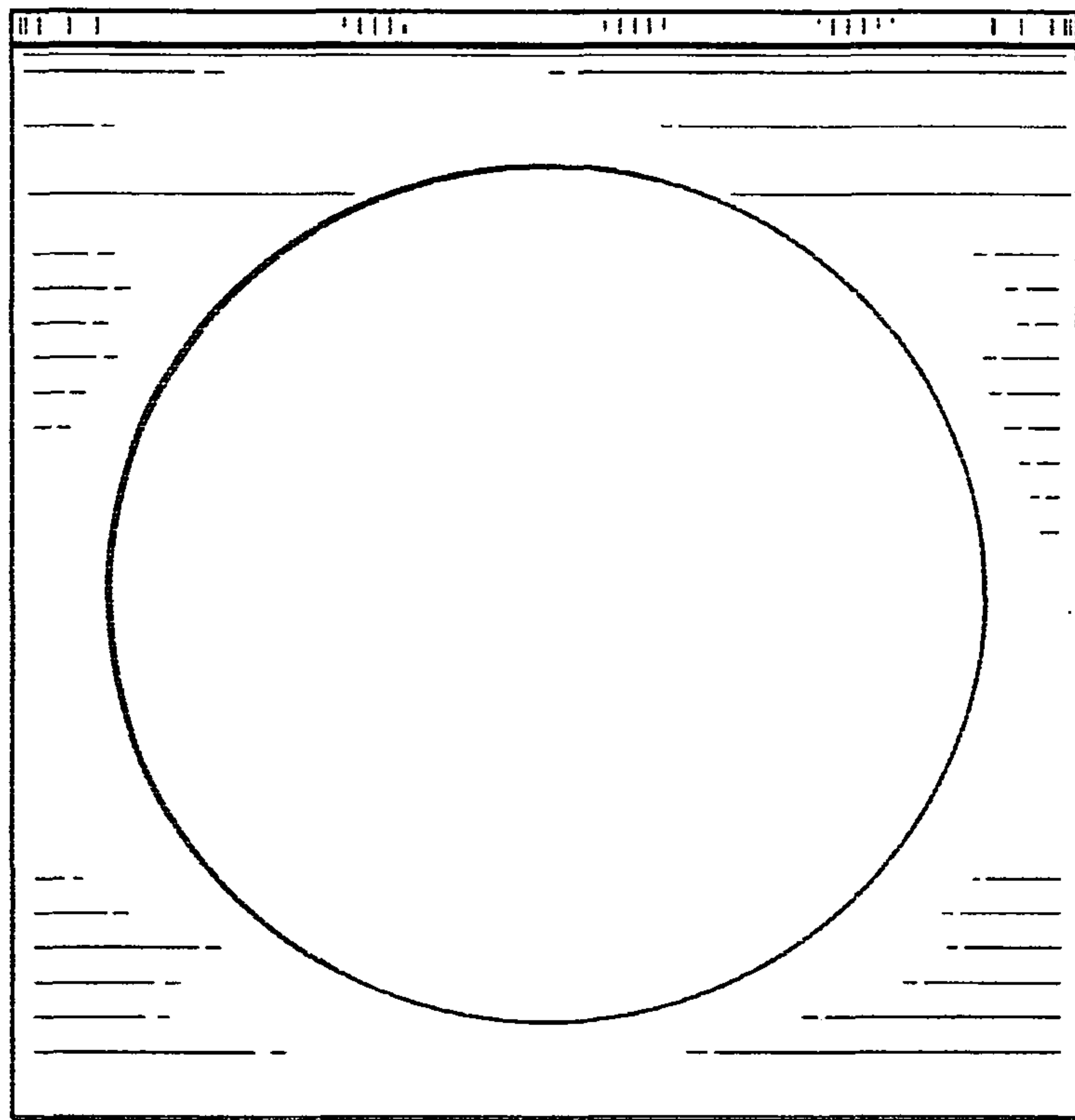


FIG. 6

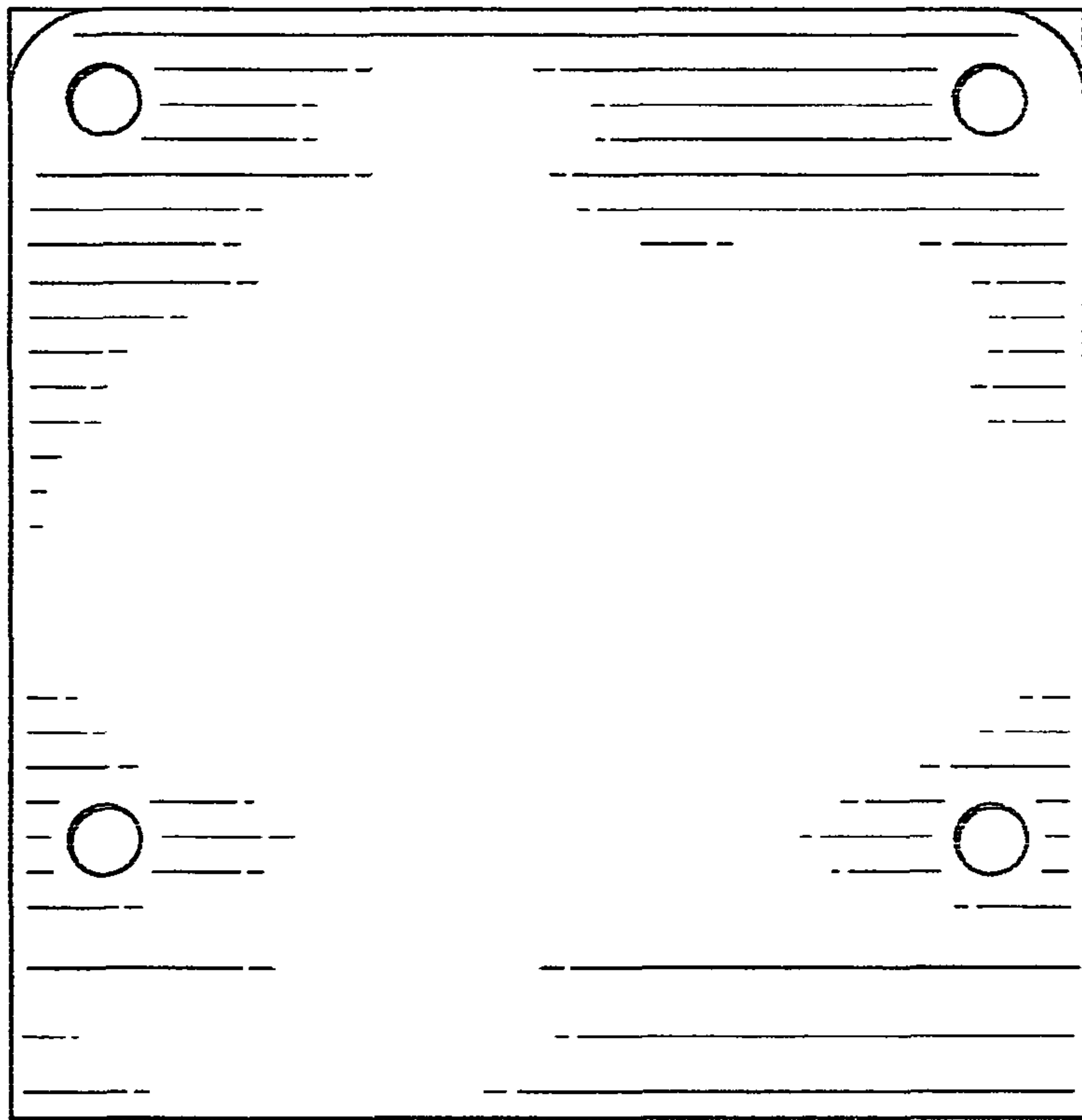


FIG. 7